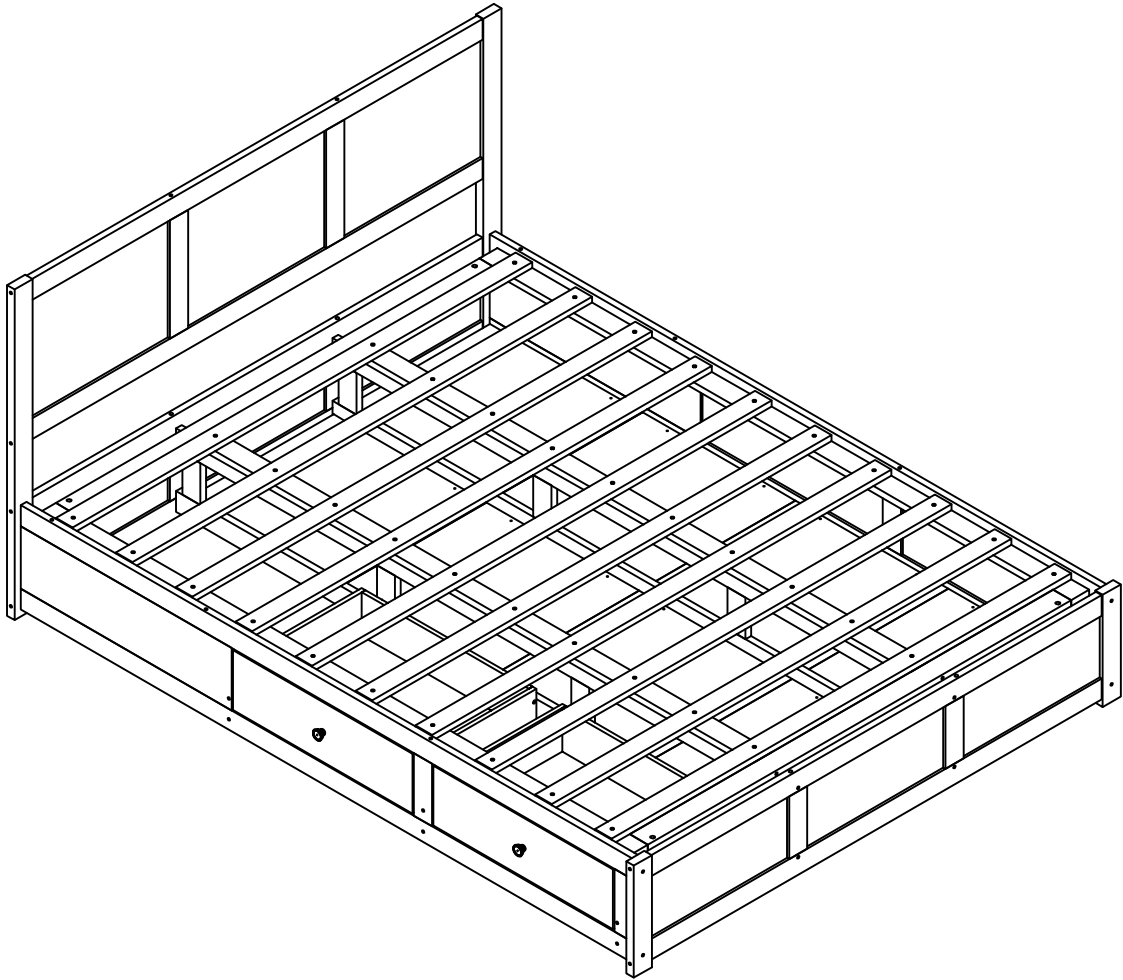


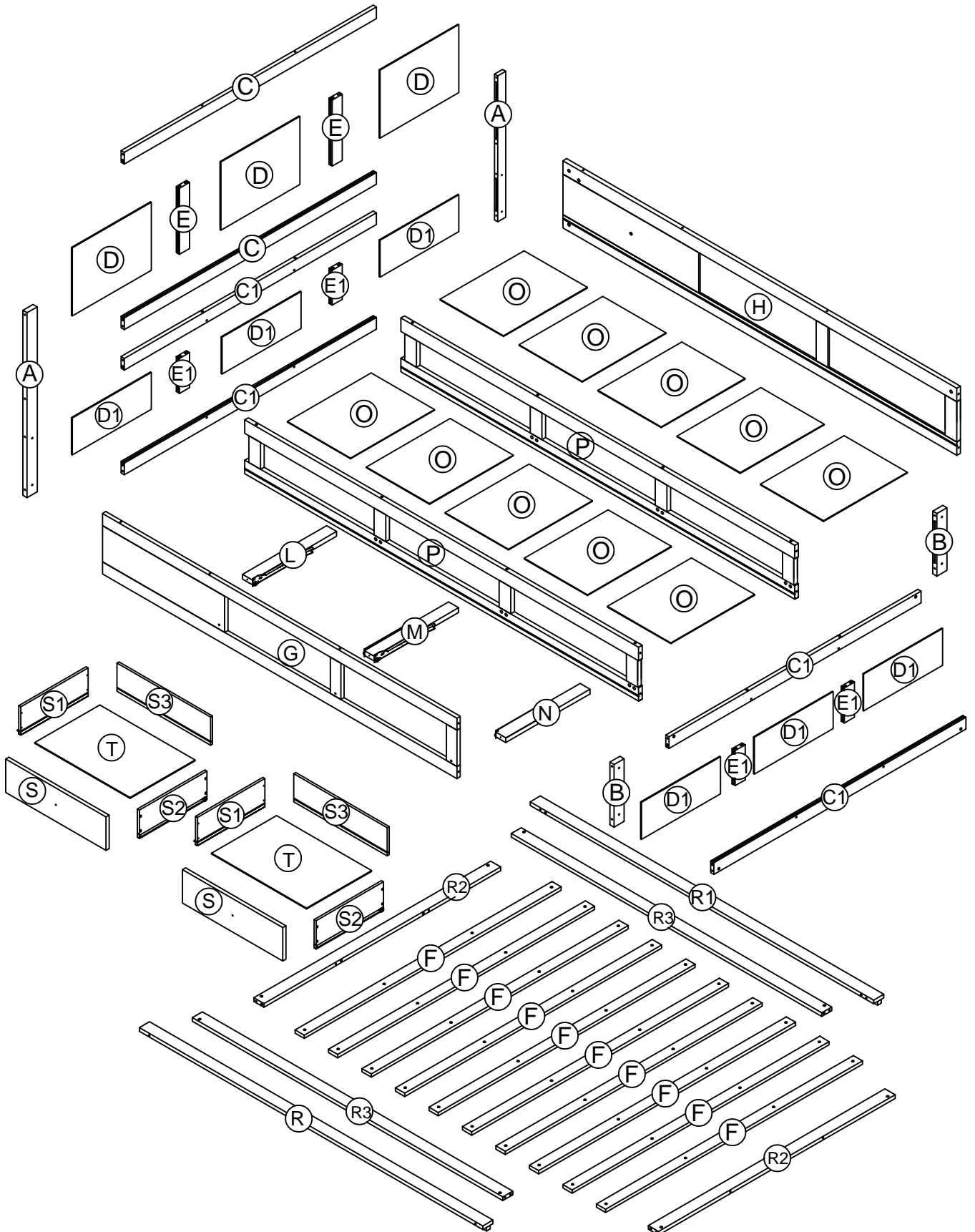
ASSEMBLY INSTRUCTION






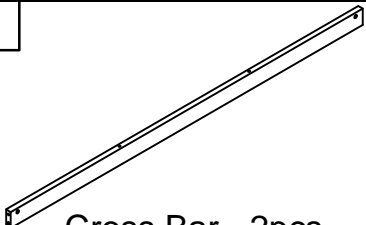

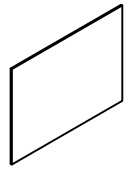
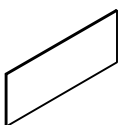

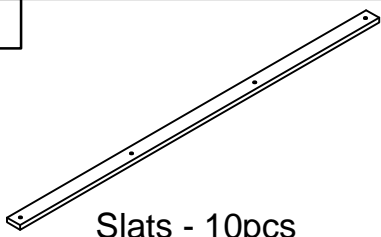
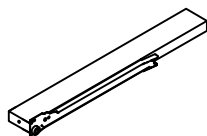
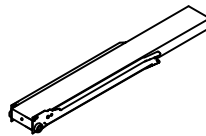
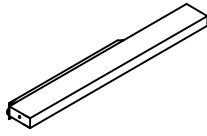
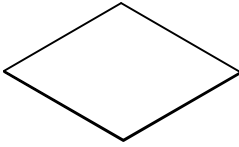
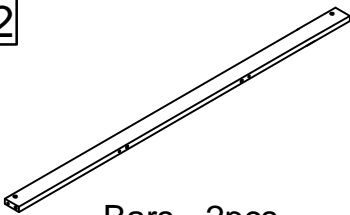
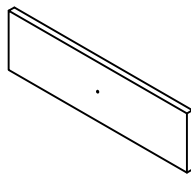
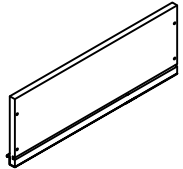
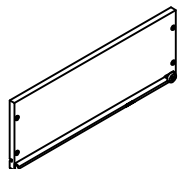
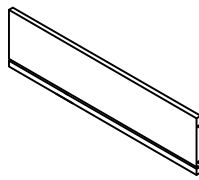
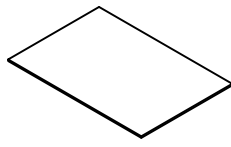
! SAFETY WARNINGS !

1. This bed is designed for use QUEEN Mattress 80 inch Long 60 inch Wide.
2. Always use the recommended size mattresses or mattress supports, or both, to help prevent the likelihood of entrapment or falls.
3. Do not allow horseplay on or under the bed and prohibit jumping on the bed
4. Do not use substitute parts. Contact the manufacturer or dealer for replacement parts.
5. Keep these instructions for future reference



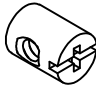


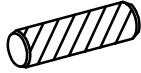

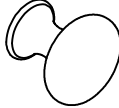
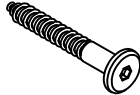
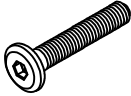
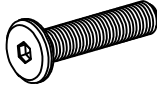


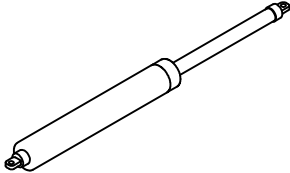
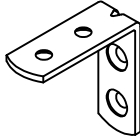
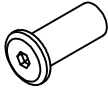


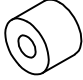
ASSEMBLY INSTRUCTION

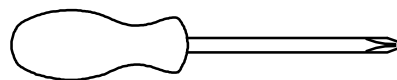


Part List

<p>A</p>  <p>Headboard - 2pcs</p>	<p>B</p>  <p>Footboard - 2pcs</p>	<p>E</p>  <p>Vertical Bar - 2pcs</p>
<p>C</p>  <p>Cross Bar - 2pcs</p>	<p>C1</p>  <p>Cross Bar - 4pcs</p>	<p>D</p>  <p>Head Panels - 3pcs</p>
<p>D1</p>  <p>Back Panels - 6pcs</p>	<p>E1</p>  <p>Vertical Bar - 4pcs</p>	<p>F</p>  <p>Slats - 10pcs</p>
<p>L</p>  <p>Panels - 1pcs</p>	<p>M</p>  <p>Panels - 1pcs</p>	<p>N</p>  <p>Panels - 1pcs</p>
<p>O</p>  <p>Panels - 10pcs</p>	<p>R2</p>  <p>Bars - 2pcs</p>	<p>S</p>  <p>Draws - Front Panels - 2pcs</p>
<p>S1</p>  <p>Draws - Sides Panels - 2pcs</p>	<p>S2</p>  <p>Draws - Sides Panels - 2pcs</p>	<p>S3</p>  <p>Draws - Back Panels - 2pcs</p>
<p>T</p>  <p>Draws - Panels - 2pcs</p>		

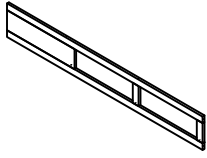
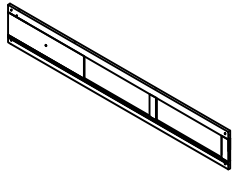
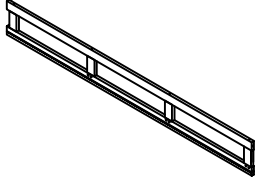
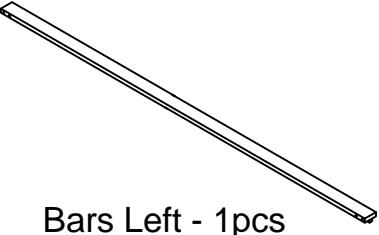
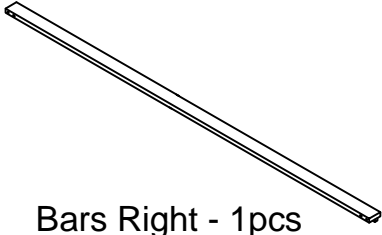

Hardware List

<p>1</p>  <p>Ø1/4" x 60mm Hex-Head bolts 8pcs</p>	<p>2</p>  <p>Ø1/4" x 100mm Hex-Head bolts 28pcs</p>	<p>3</p>  <p>Ø11.5 x 15 mm Horizontal-Hole bolts 36pcs</p>
<p>4</p>  <p>M4 x 20 mm Wood Screws 8pcs</p>	<p>5</p>  <p>M4 x 30 mm Wood Screws 56pcs</p>	<p>7</p>  <p>Ø10 x 30 mm Wood Dowel 28pcs</p>
<p>8</p>  <p>M4 x 35 mm Bulong 2pcs</p>	<p>9</p>  <p>Wood Knob 2pcs</p>	<p>10</p>  <p>Ø1/4 x 50 mm Wood Screws 17pcs</p>
<p>11</p>  <p>Ø1/4" x 20mm Hex-Head bolts 4pcs</p>	<p>12</p>  <p>Ø1/4 x 45mm Hex-Head bolts 2pcs</p>	<p>13</p>  <p>M3.5 x 15 mm Wood Screws 40pcs</p>
<p>14</p>  <p>Allen Key 1pcs</p>	<p>15</p>  <p>Piston 2pcs</p>	<p>16</p>  <p>Steel Bracket 4pcs</p>
<p>17</p>  <p>Sleeve Nut 1/4x35-4pcs</p>	<p>18</p>  <p>Iron Steel - 20pcs</p>	<p>19</p>  <p>Sleeve Nut 1/4x25-2pcs</p>
<p>20</p>  <p>Disk Washer 2pcs</p>		

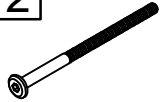
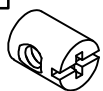
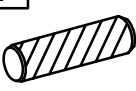


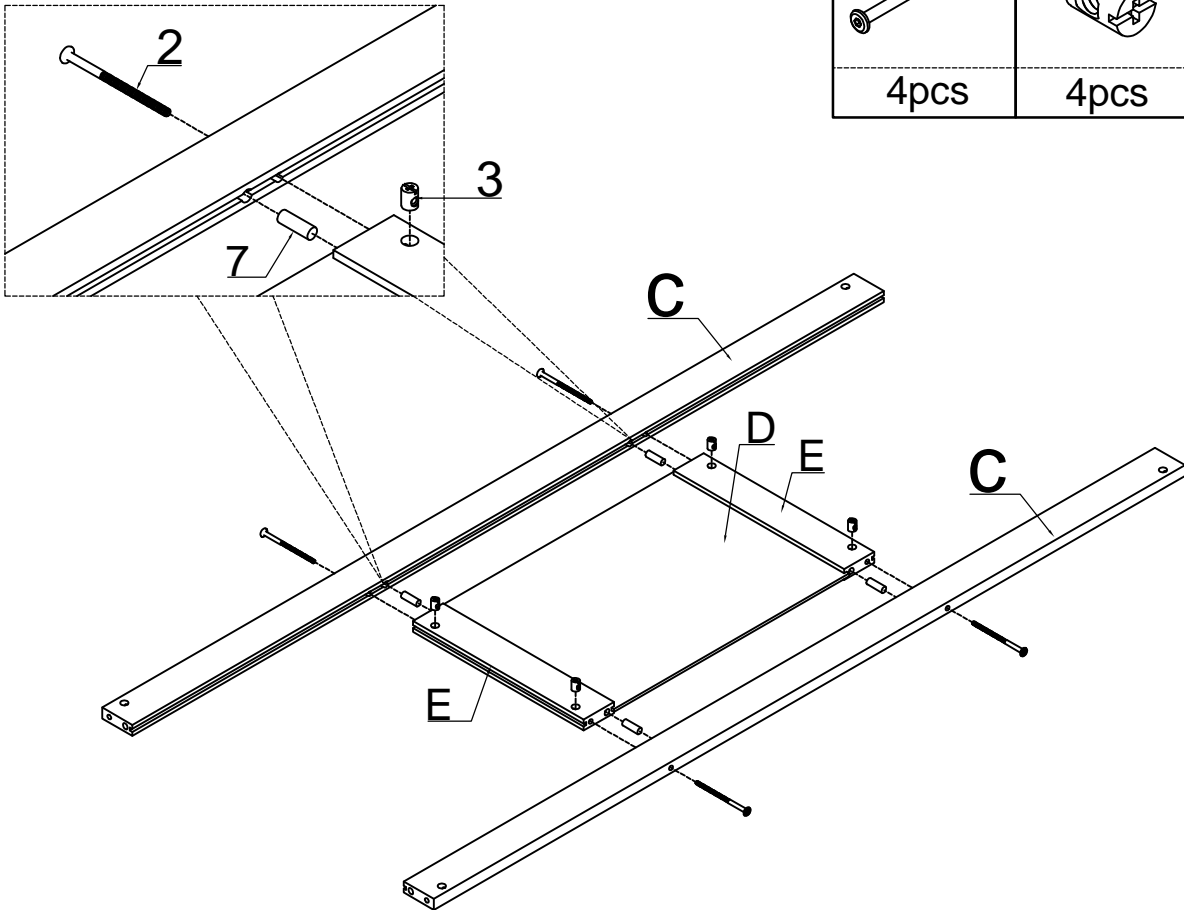
Assembly Tools Required (Not Included)

Part List

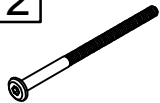
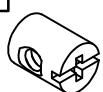
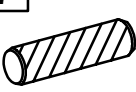
<p>G</p>  <p>Frame Sides Bar - 1pcs</p>	<p>H</p>  <p>Frame Sides Bar - 1pcs</p>	<p>P</p>  <p>Frame Sides Bar - 2pcs</p>
<p>R</p>  <p>Bars Left - 1pcs</p>	<p>R1</p>  <p>Bars Right - 1pcs</p>	<p>R3</p>  <p>Headboard - 2pcs</p>

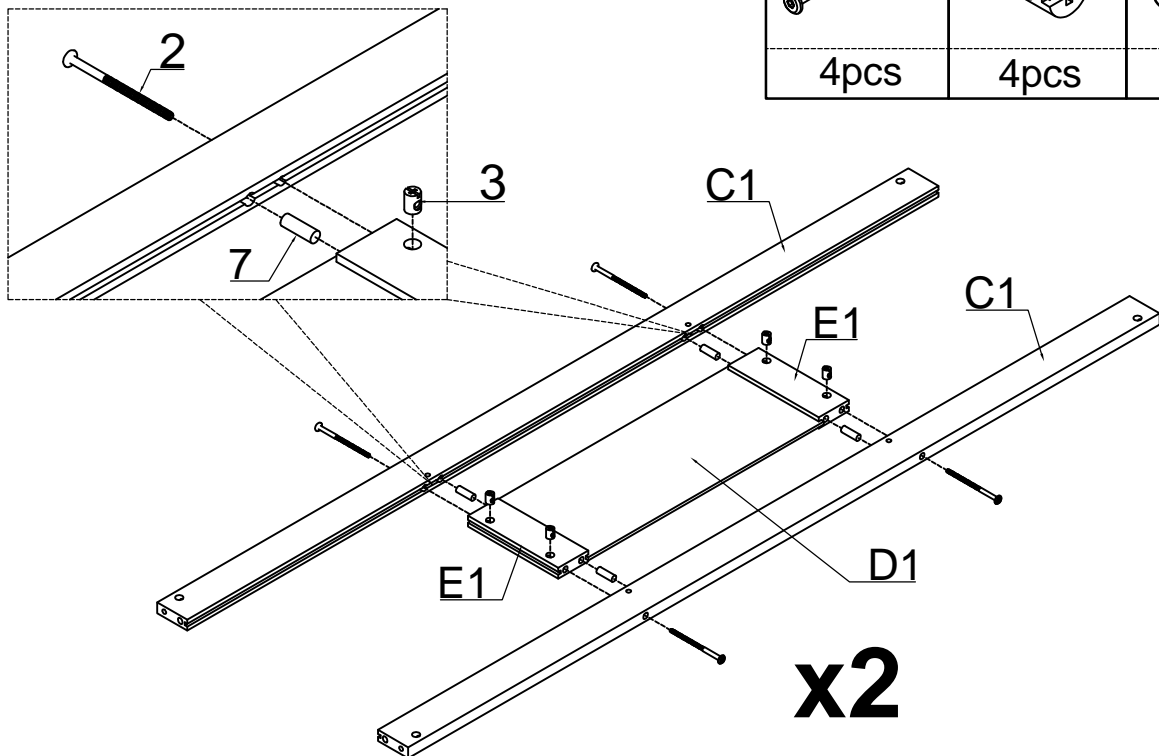
STEP 1: Following below illustration.

<div data-bbox="981 112 1013 145" data-label="Text">2</div> 	<div data-bbox="1168 112 1200 145" data-label="Text">3</div> 	<div data-bbox="1347 112 1378 145" data-label="Text">7</div> 
4pcs	4pcs	4pcs

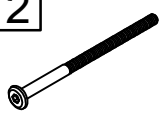
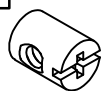
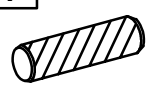


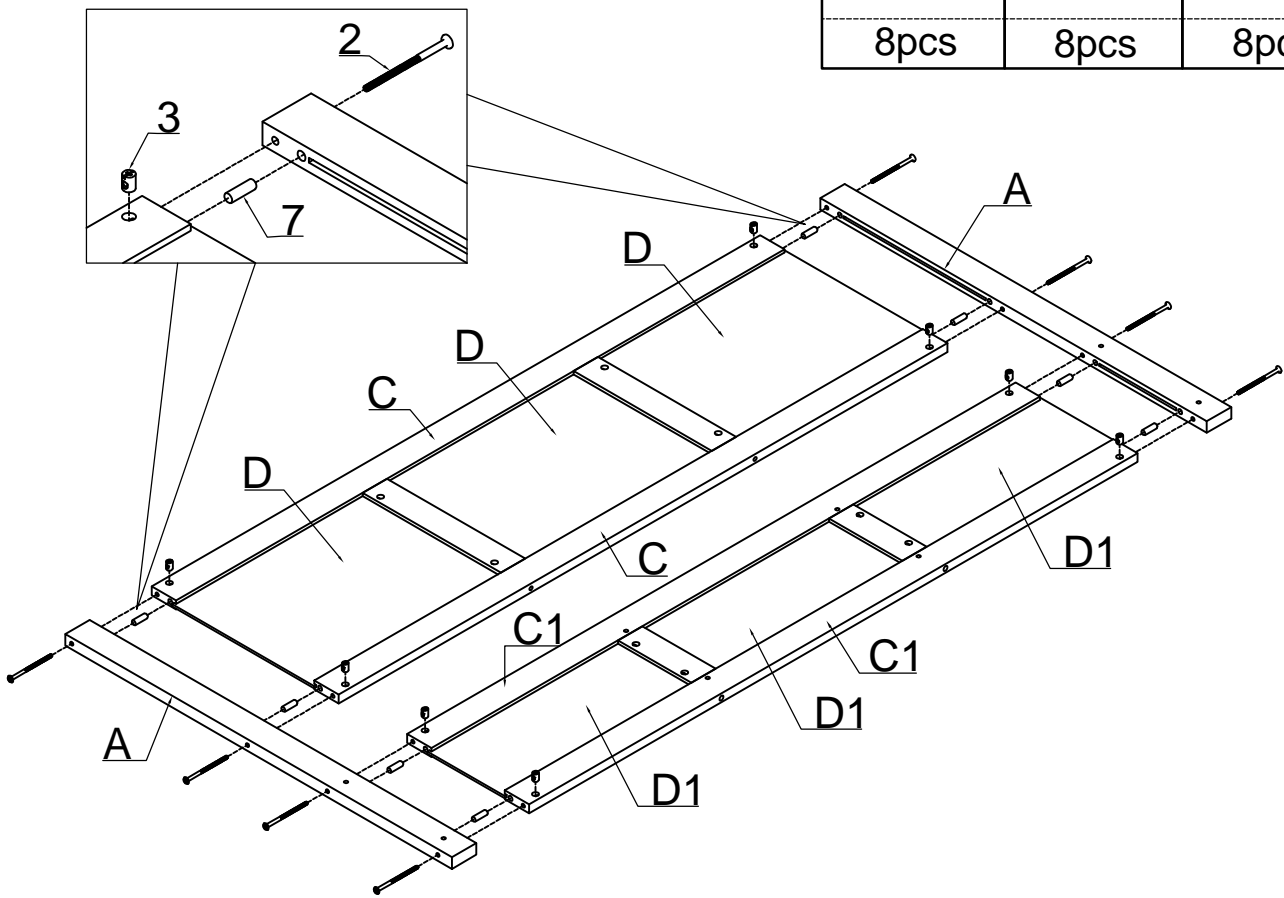
STEP 1-1: Following below illustration.

<div data-bbox="981 1232 1013 1265" data-label="Text">2</div> 	<div data-bbox="1168 1232 1200 1265" data-label="Text">3</div> 	<div data-bbox="1347 1232 1378 1265" data-label="Text">7</div> 
4pcs	4pcs	4pcs

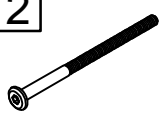
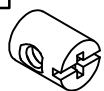
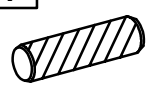


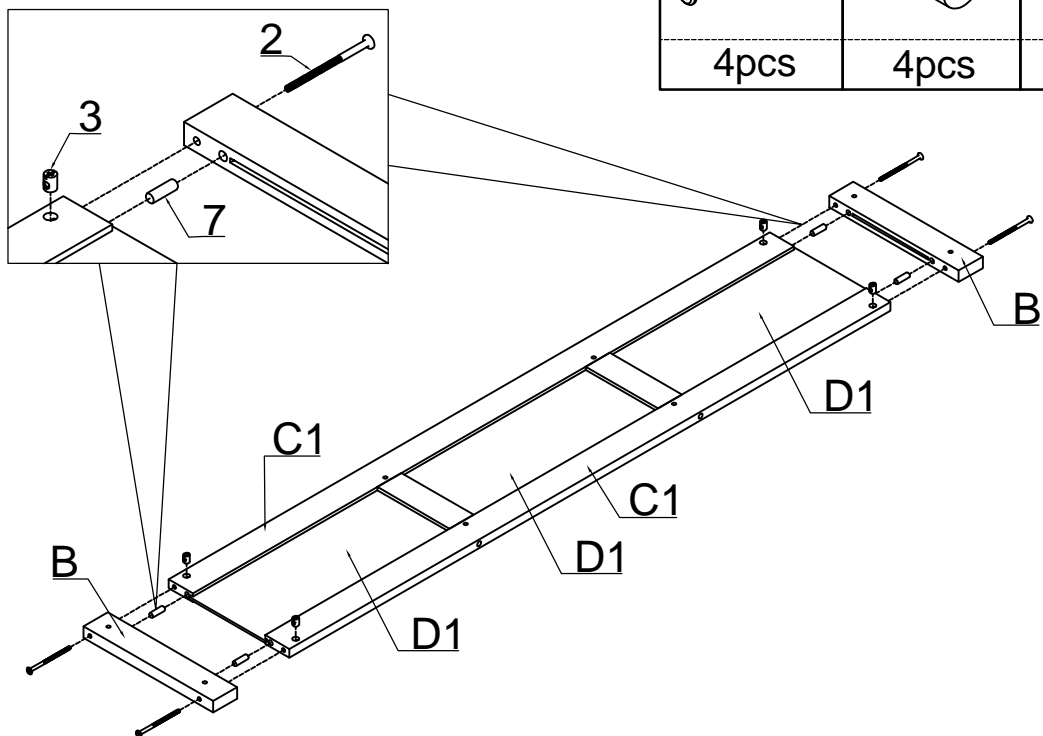
STEP 2: Following below illustration.

2	3	7
		
8pcs	8pcs	8pcs

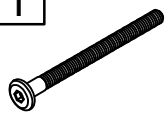
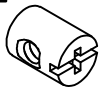


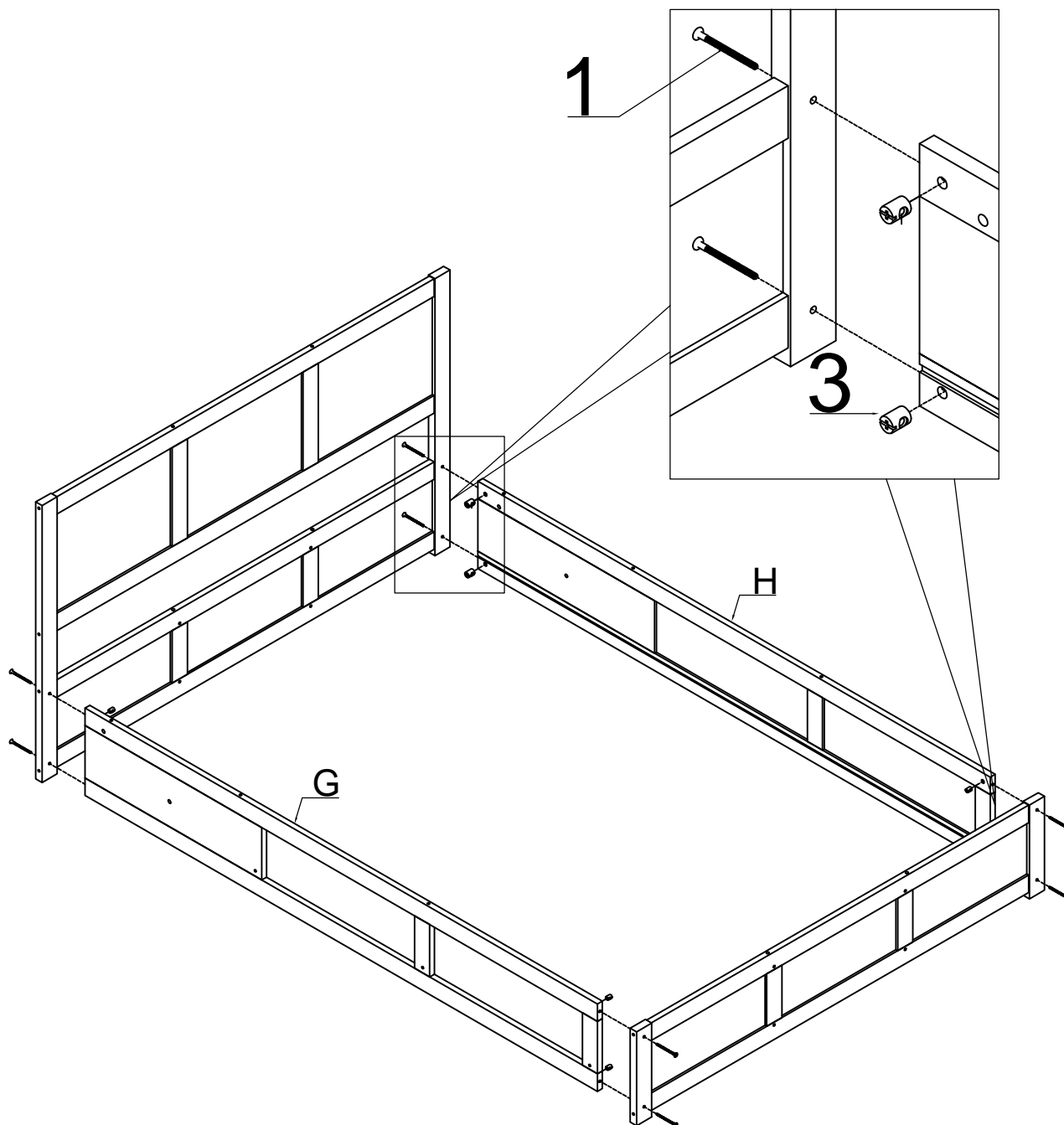
STEP 2-1: Following below illustration.

2	3	7
		
4pcs	4pcs	4pcs



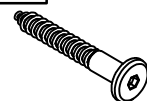
STEP 3: Following below illustration.

1	3
	
8pcs	8pcs

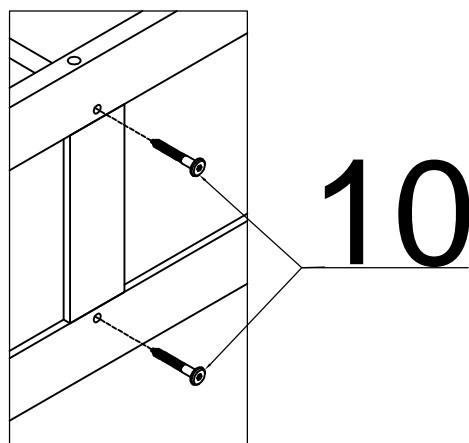
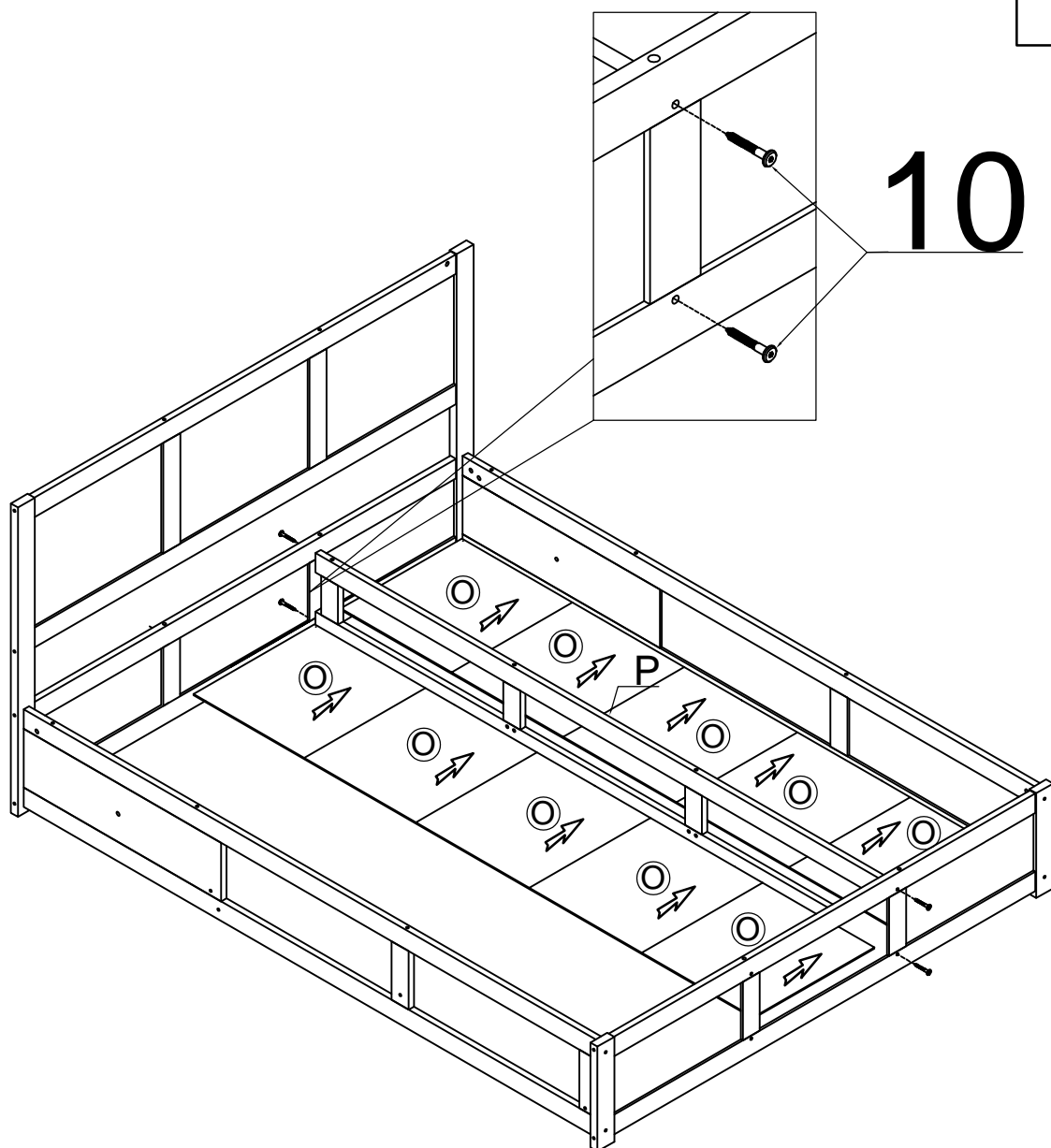


STEP 4: Following below illustration.

10

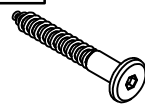


4pcs

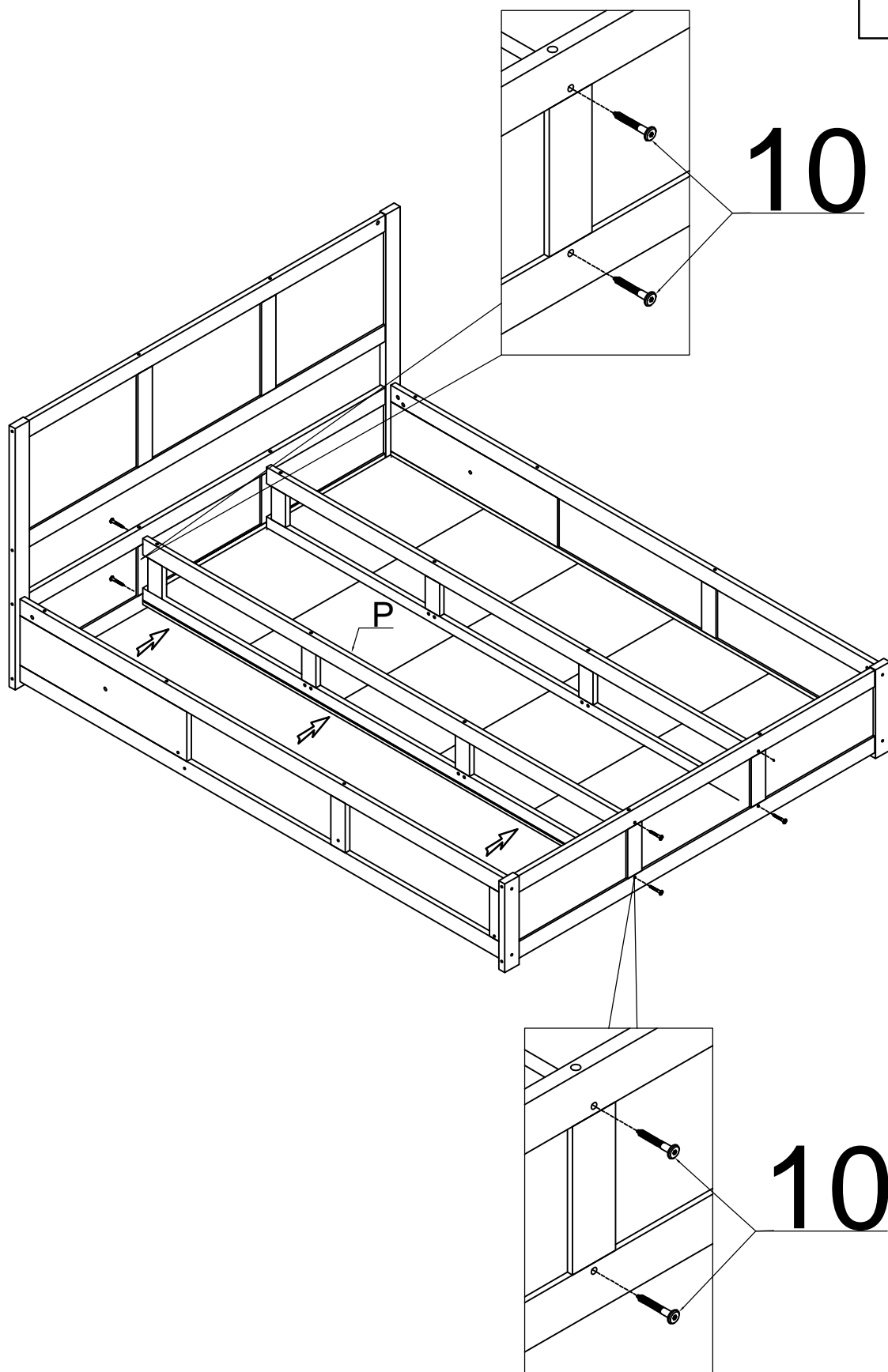


STEP 5: Following below illustration.

10

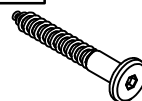


4pcs

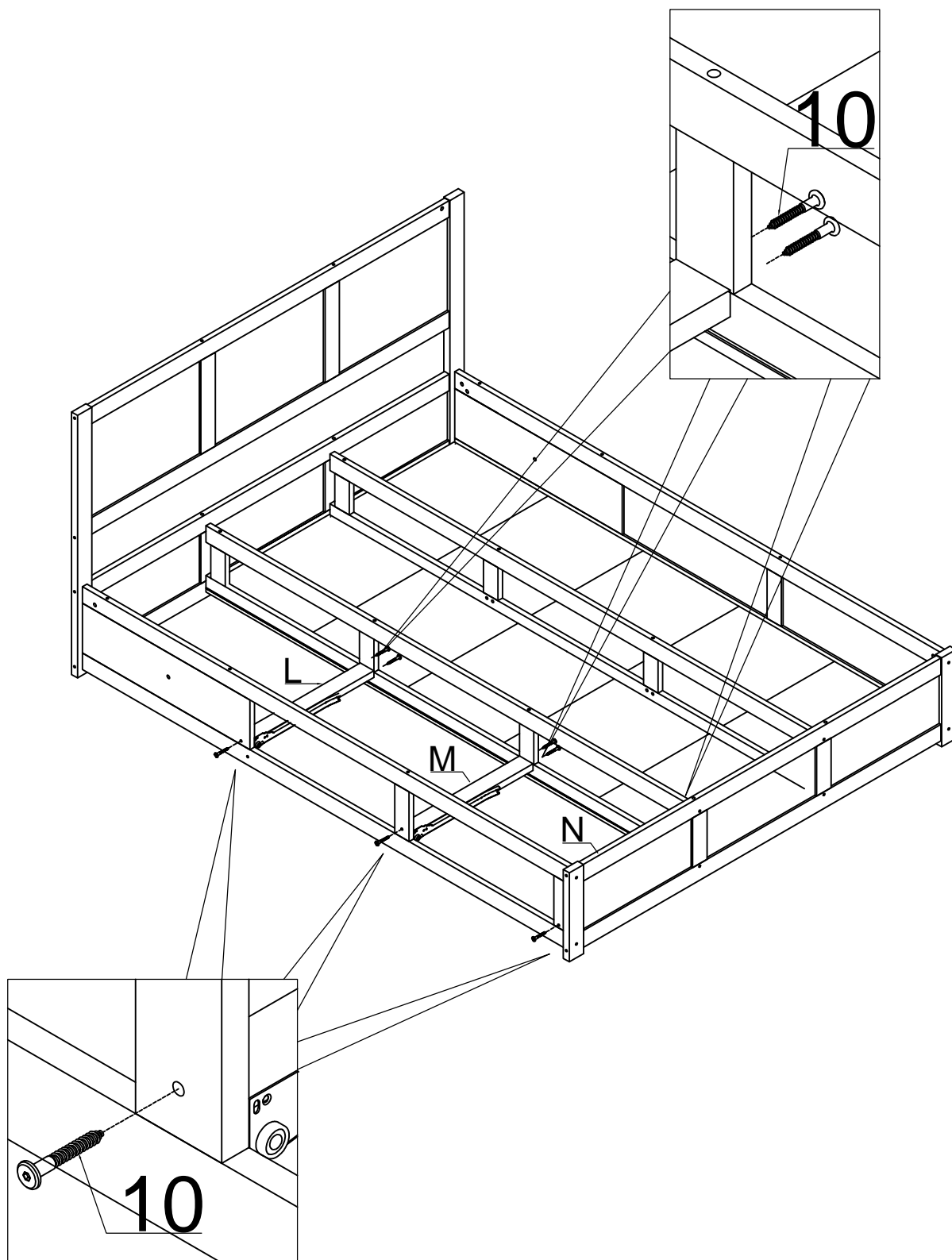


STEP 6: Following below illustration.



10

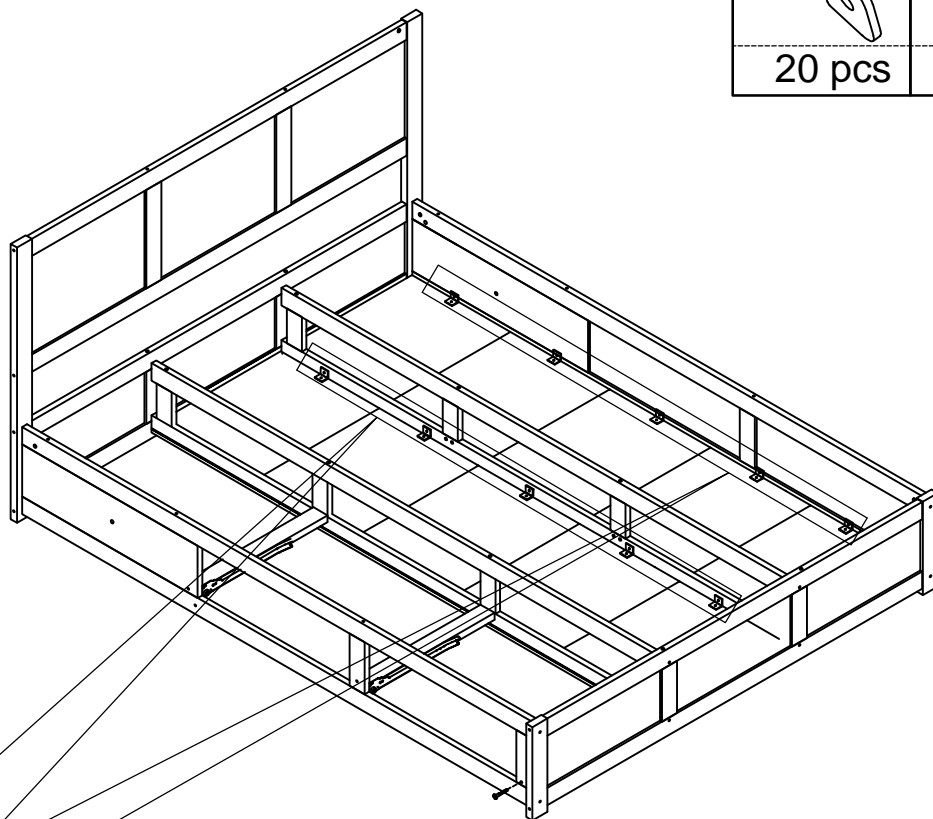


9pcs

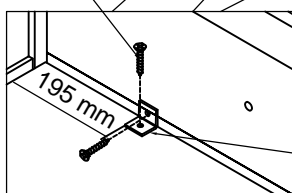


STEP 7: Following below illustration.

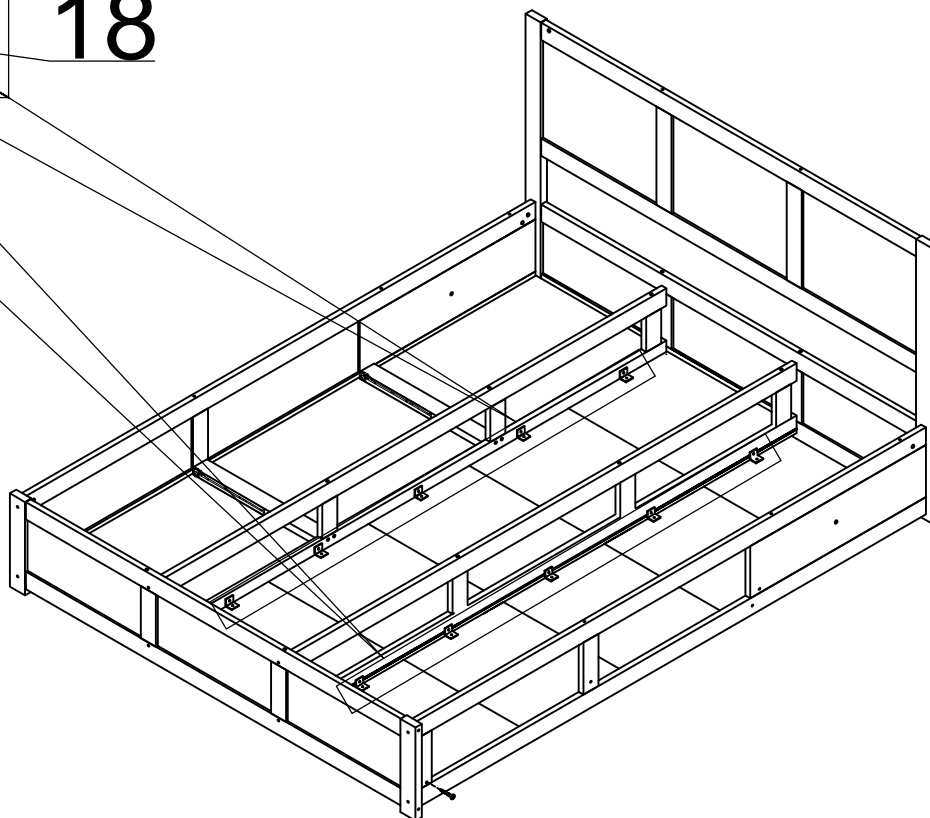
18		13	
20 pcs		40 pcs	



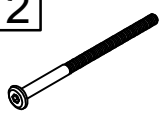
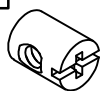
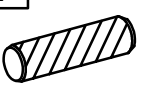
13

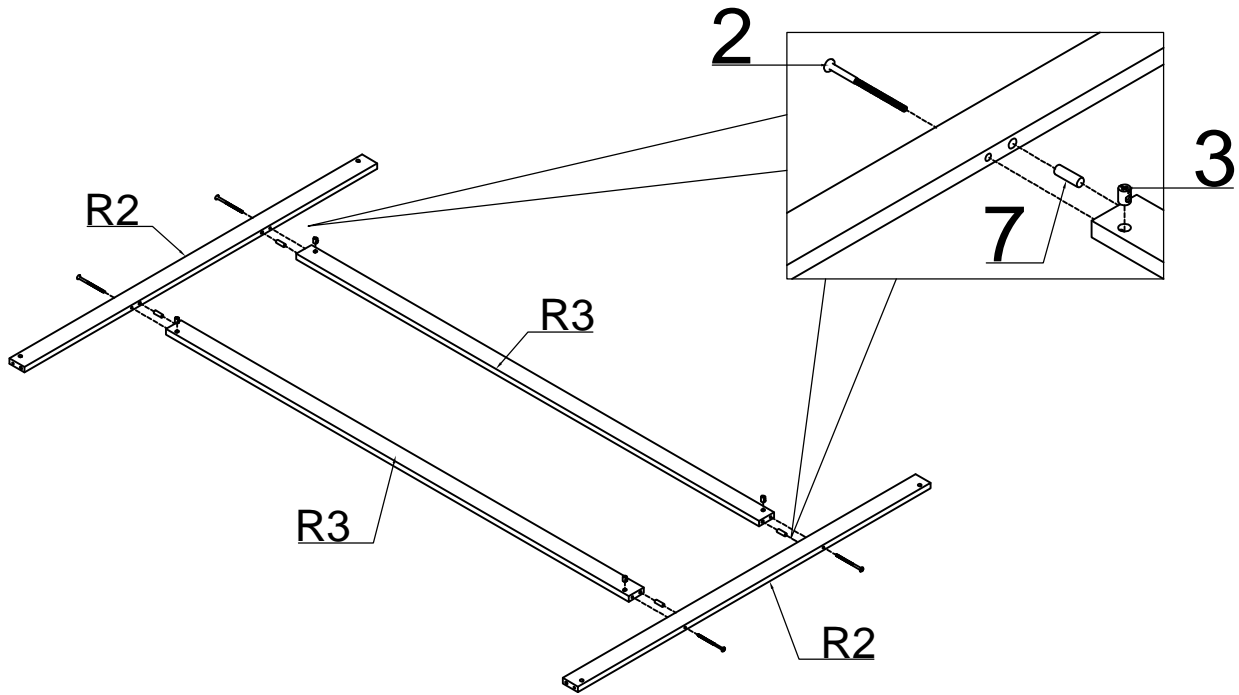


18

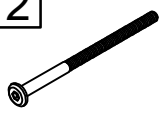
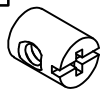
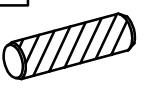


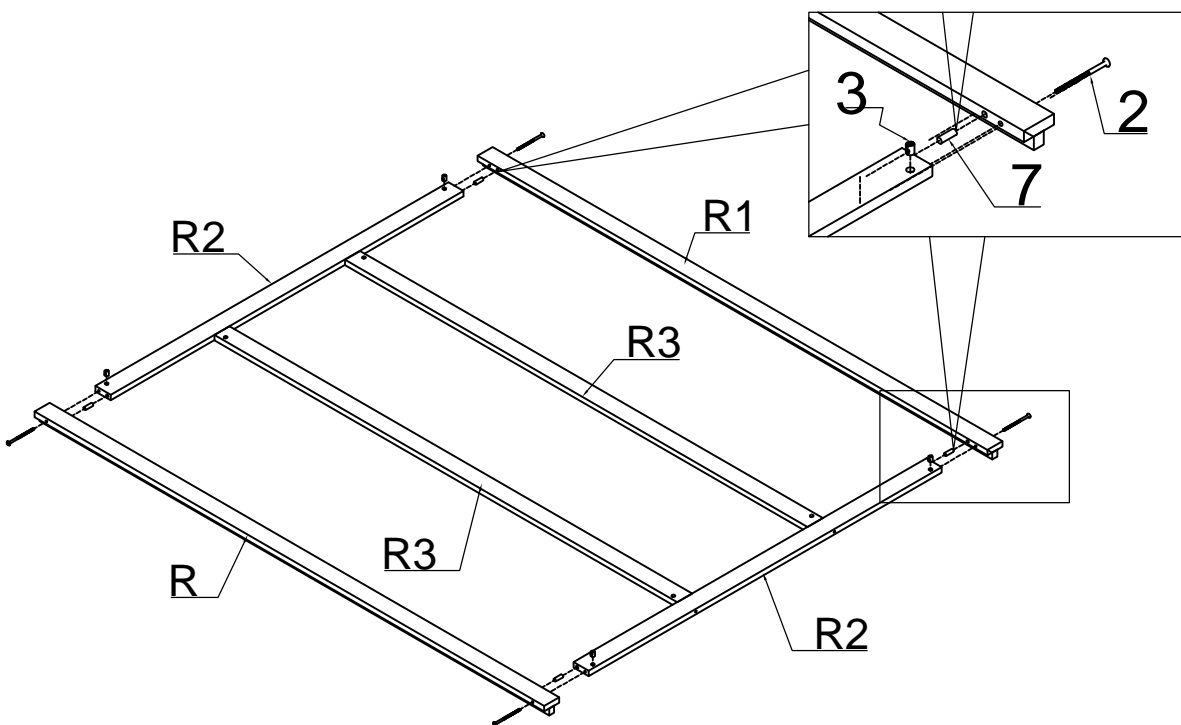
STEP 8: Following below illustration.

2	3	7
		
4pcs	4pcs	4pcs




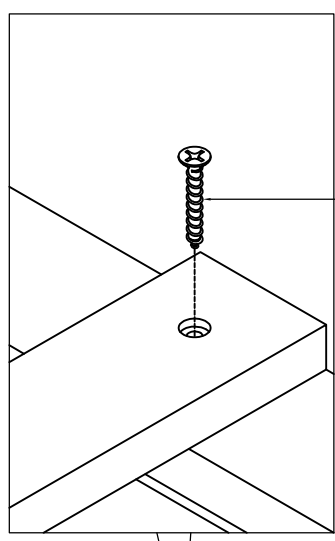
STEP 8-1: Following below illustration.

2	3	7
		
4pcs	4pcs	4pcs

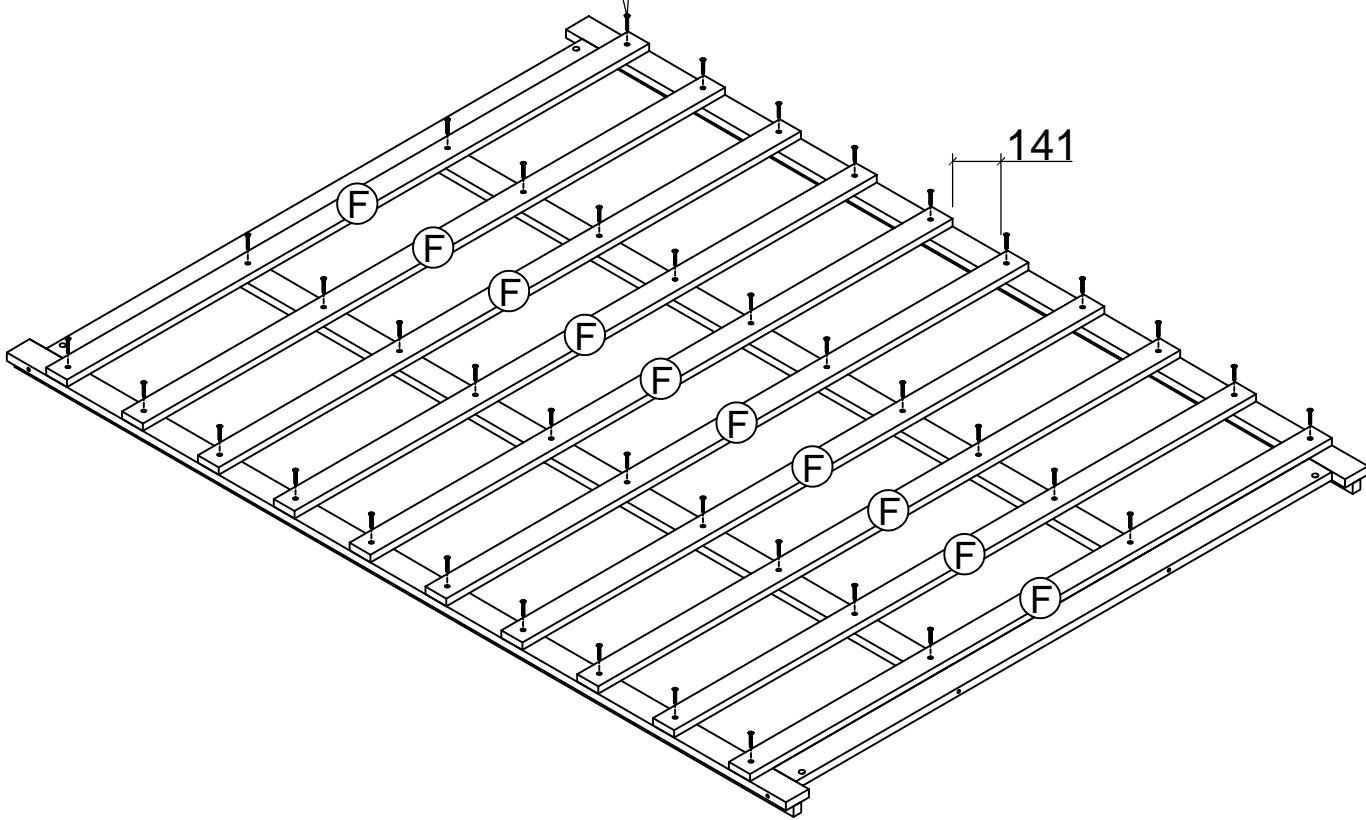


STEP 9: Following below illustration.

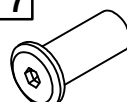
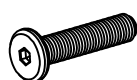
5	
40pcs	

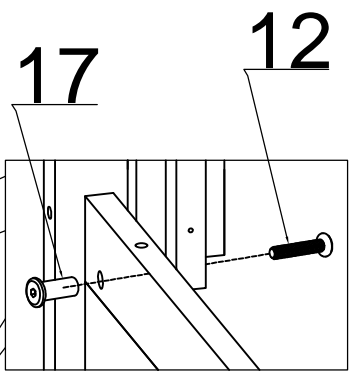
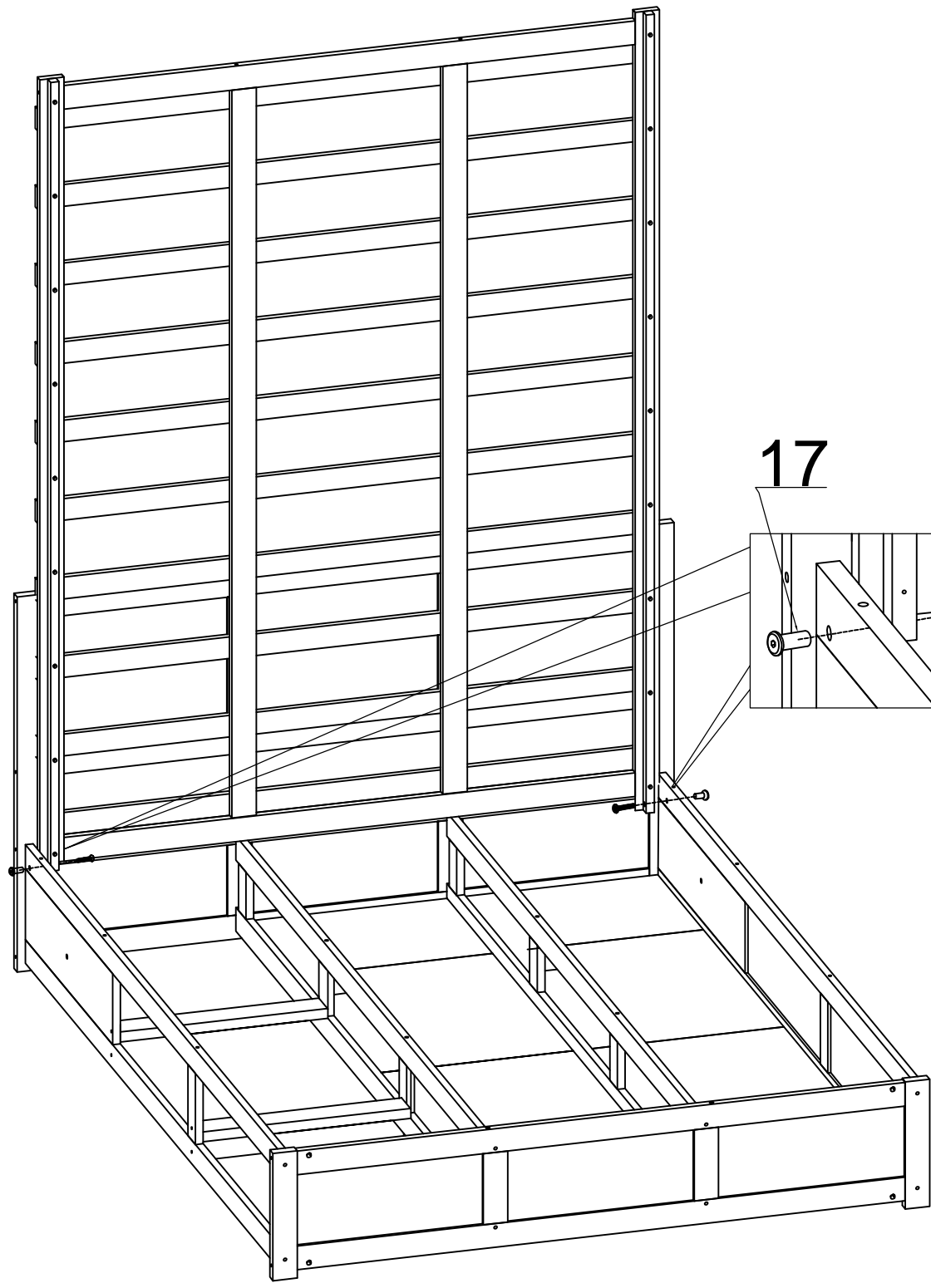


5



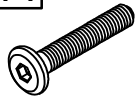
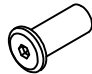

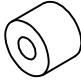

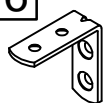
STEP 10: Following below illustration.

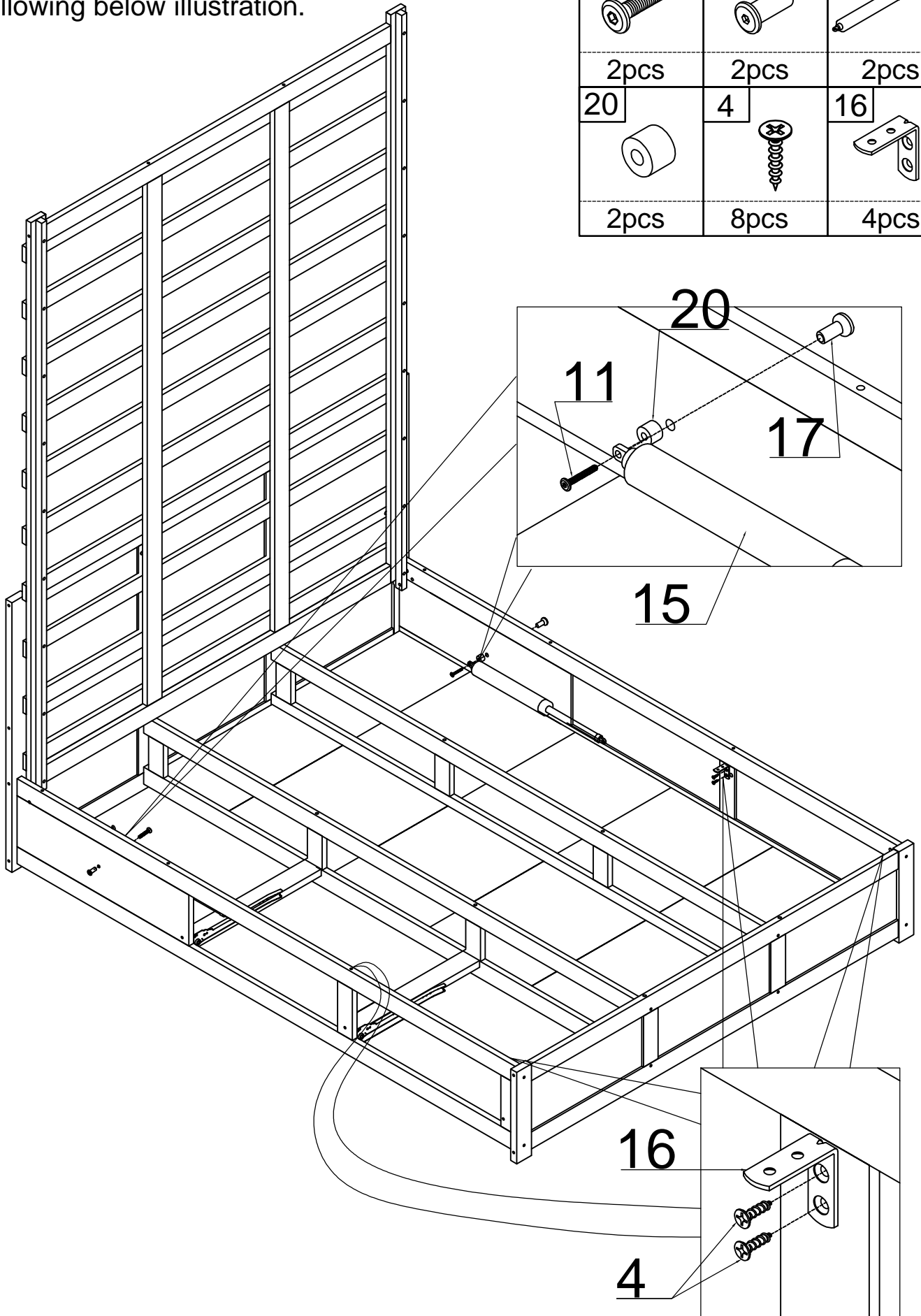
17	12
	
2pcs	2pcs



STEP 11:

Following below illustration.

11		17		15	
2pcs		2pcs		2pcs	
20		4		16	
2pcs		8pcs		4pcs	



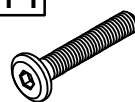
STEP 12: Following below illustration.

19

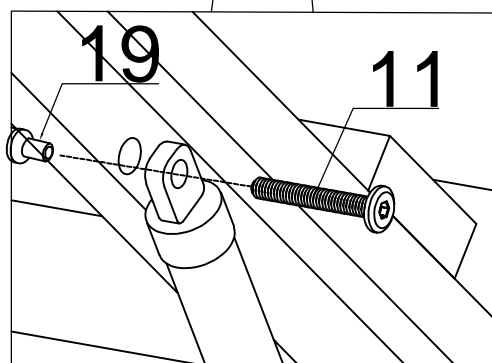
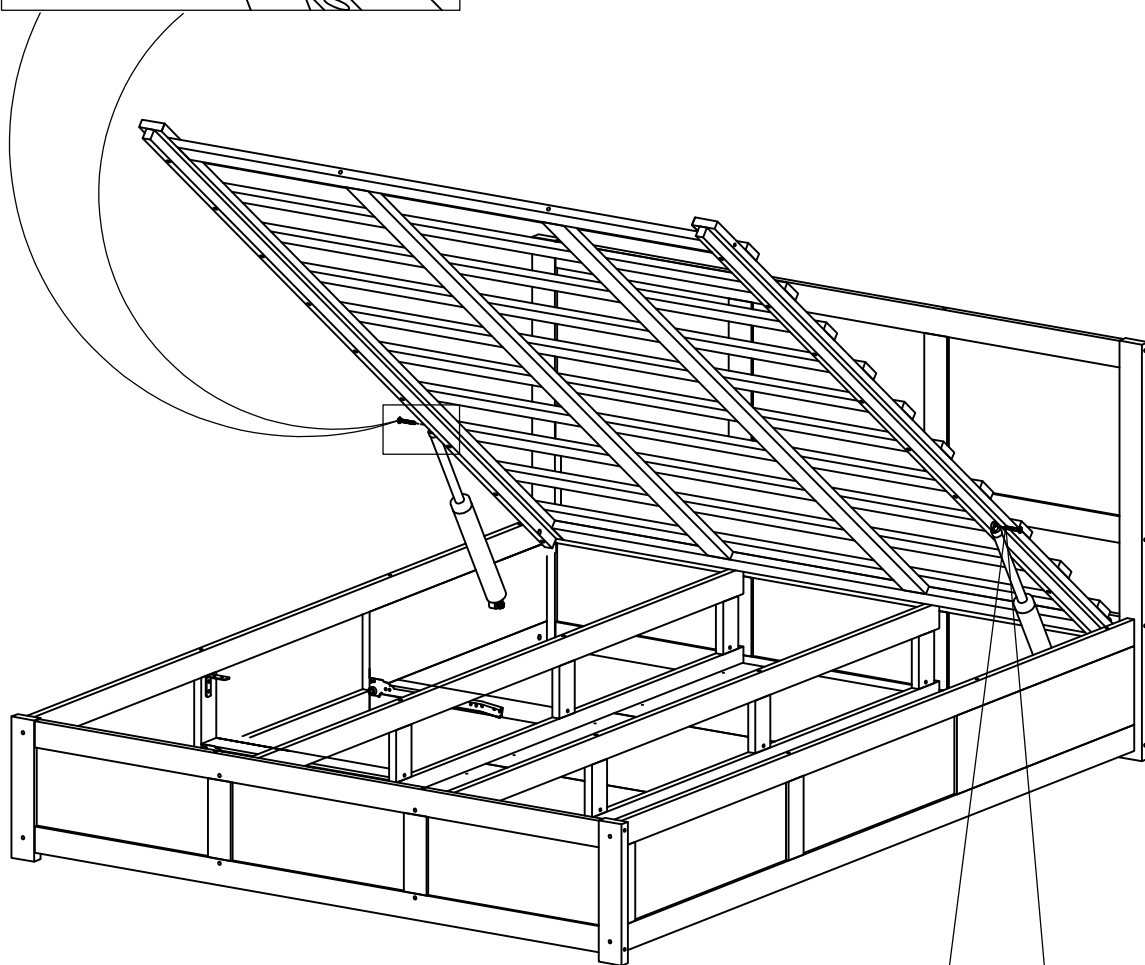
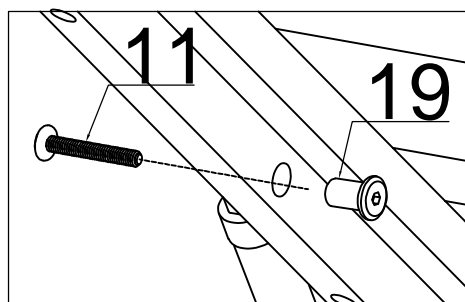


2pcs


11

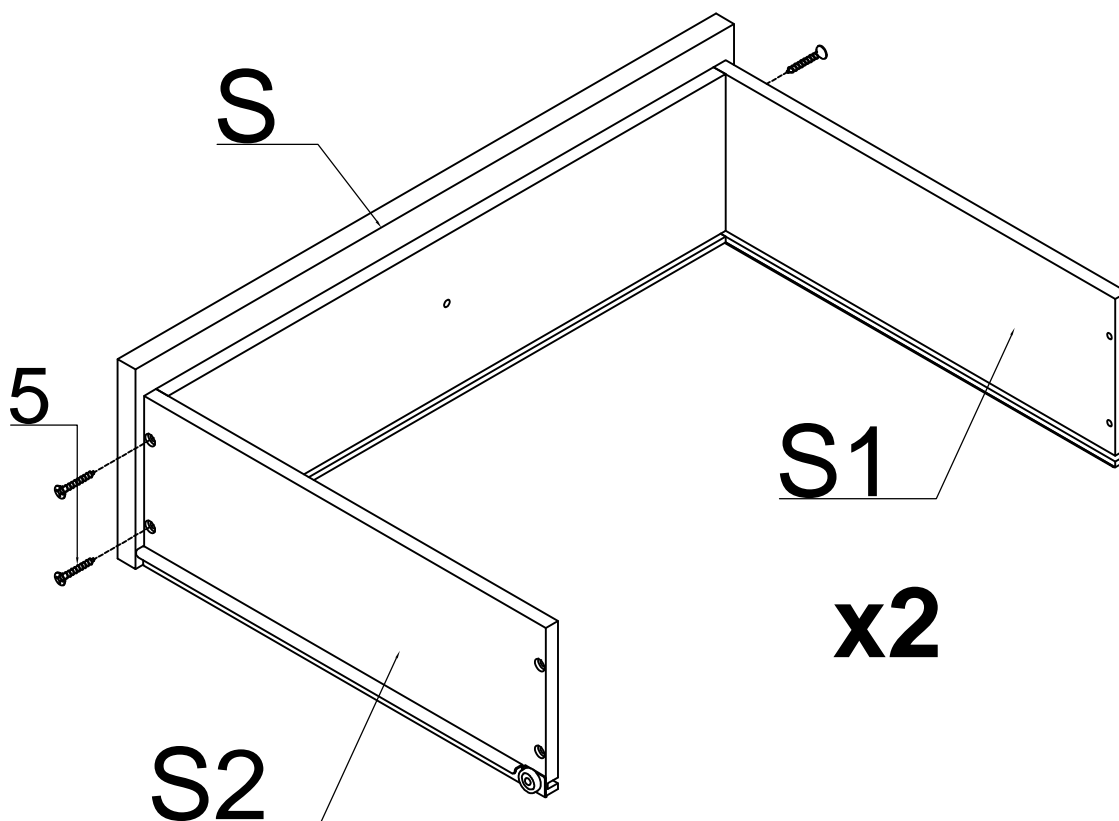


2pcs

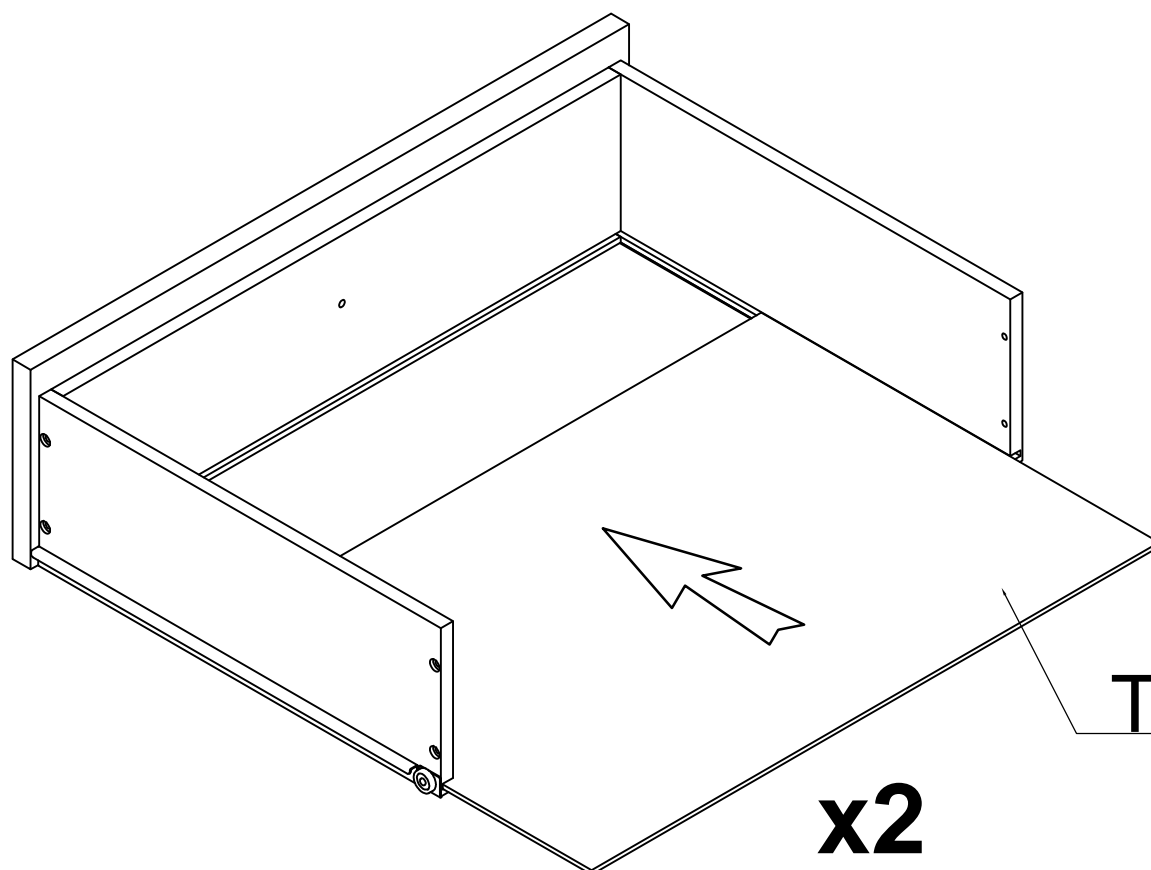


STEP 13: Following below illustration.


5	
8pcs	

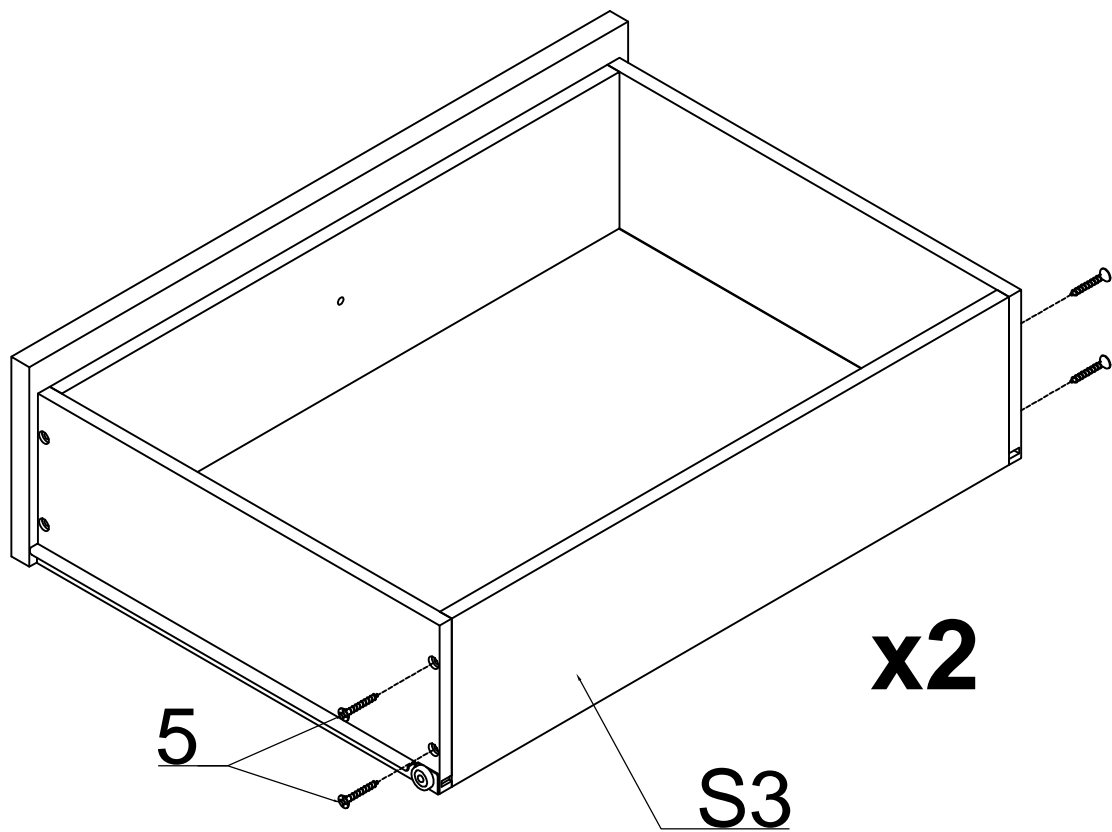


STEP 13-1: Following below illustration.





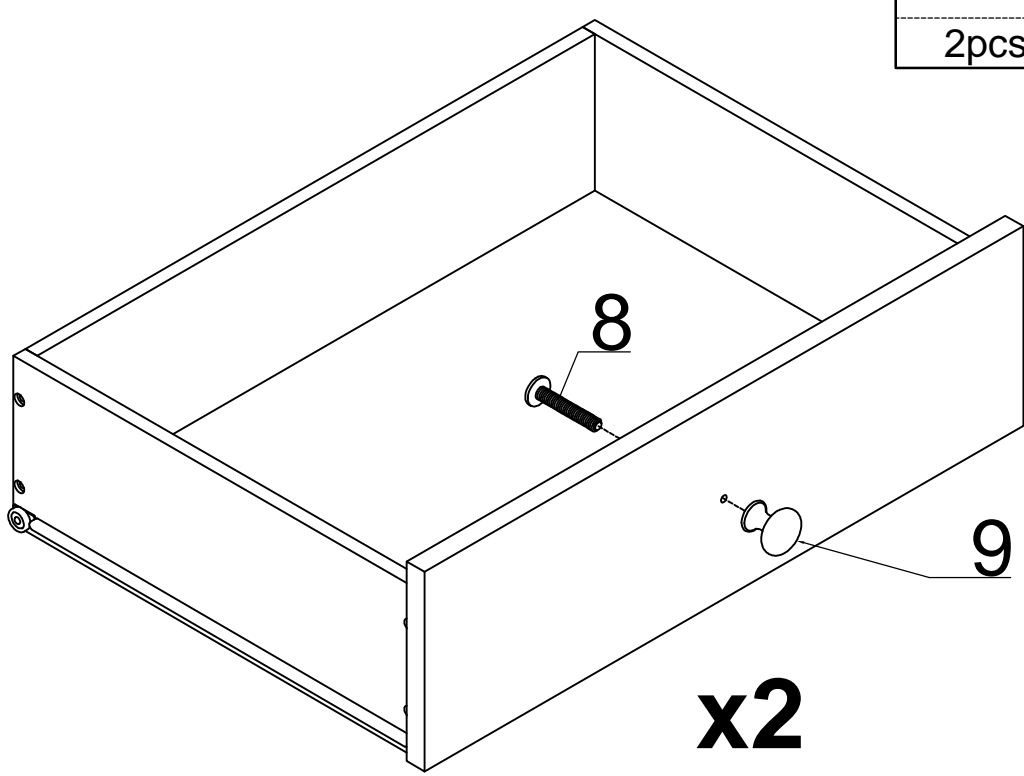
STEP 14: Following below illustration.

5	
8pcs	



STEP 14-1: Following below illustration.

8		9	
2pcs		2pcs	



FINISH

