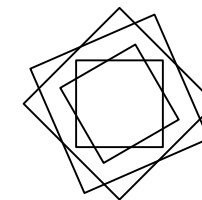
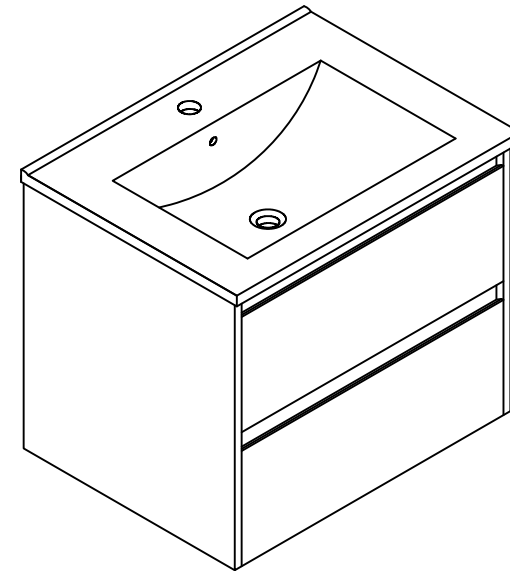


**Installation Manual- BV C05124
BV C05130**

**MOTIVATE
YOUR LIFE !**

THANKS FOR WATCHING

Your feedback is invaluable to us and we would love to hear about your experience. Please take the time to leave us a review.


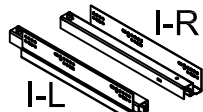
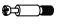
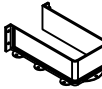







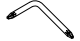




Thank you for shopping with us!

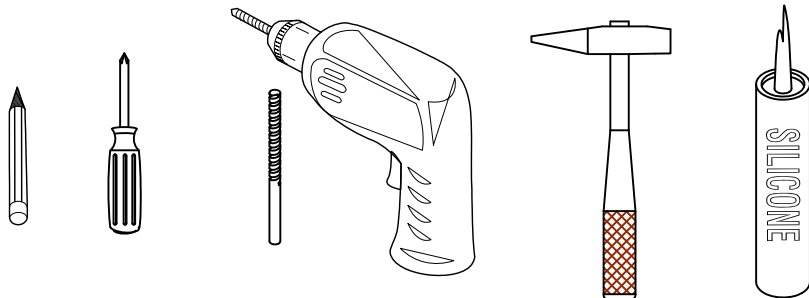
We encourage you to take a few minutes to go through this booklet. It contains important information on installation and care tips to keep your furniture looking as good as new.

Item NO.:BV C05124 / BV C05130

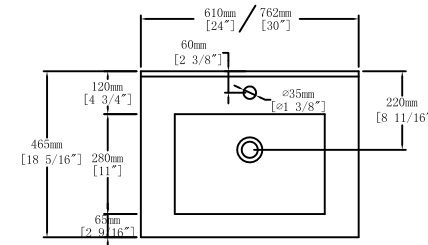
Hardware

NO.	Draw	QTY	NO.	Draw	QTY
A	 Screws Ø4x14mm	44	I	 I-R I-L Track	2
B	 Two-in-one connector	41	J	 U-Shaped plastic	1
C	 Two-in-one connector	41	K	 Screws Ø4x20mm	8
D	 Wood plug	2	L	 Screws Ø4x10mm	7
E	 Plastic anchor(Ø10mm)	4	M	 Anti-collision gasket	8
F	 Screws for fix on the wall	4	N	 Screwdriver	1
G	 Bracket (53x70x44mm)	2			
H	 Bracket (19x19x35mm)	2			

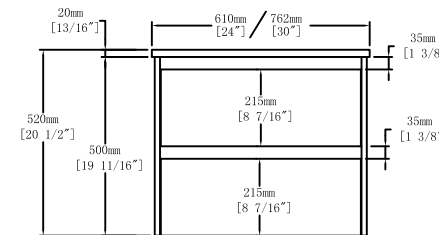
Recommended tools



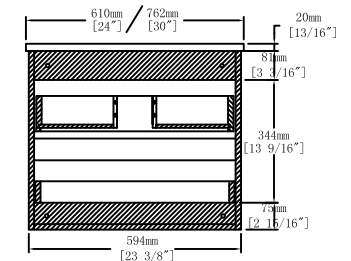
Dimensions



Top View



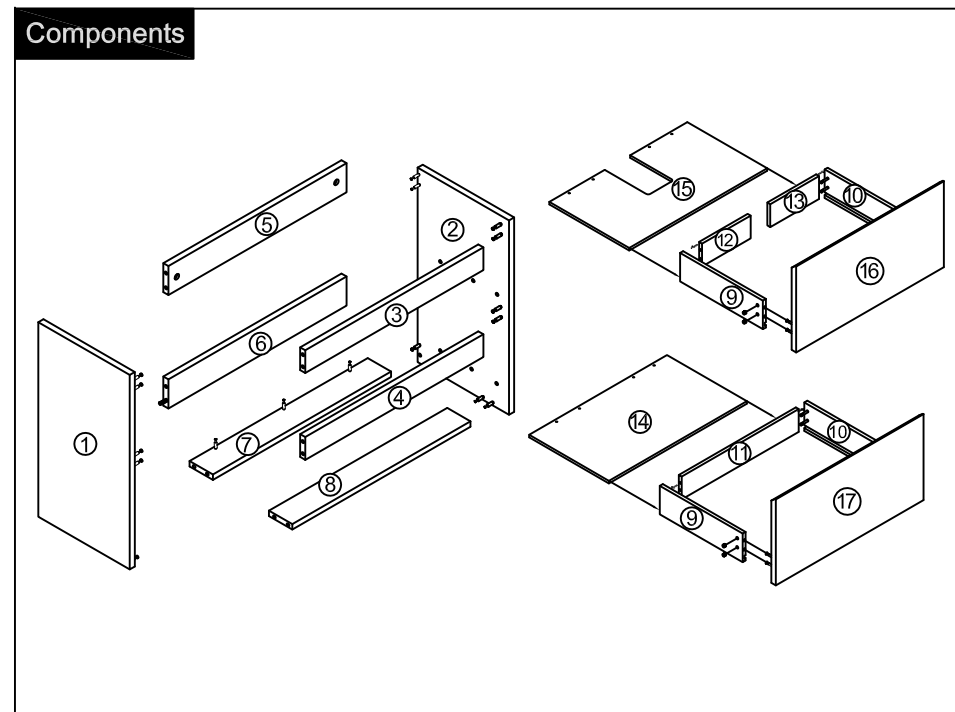
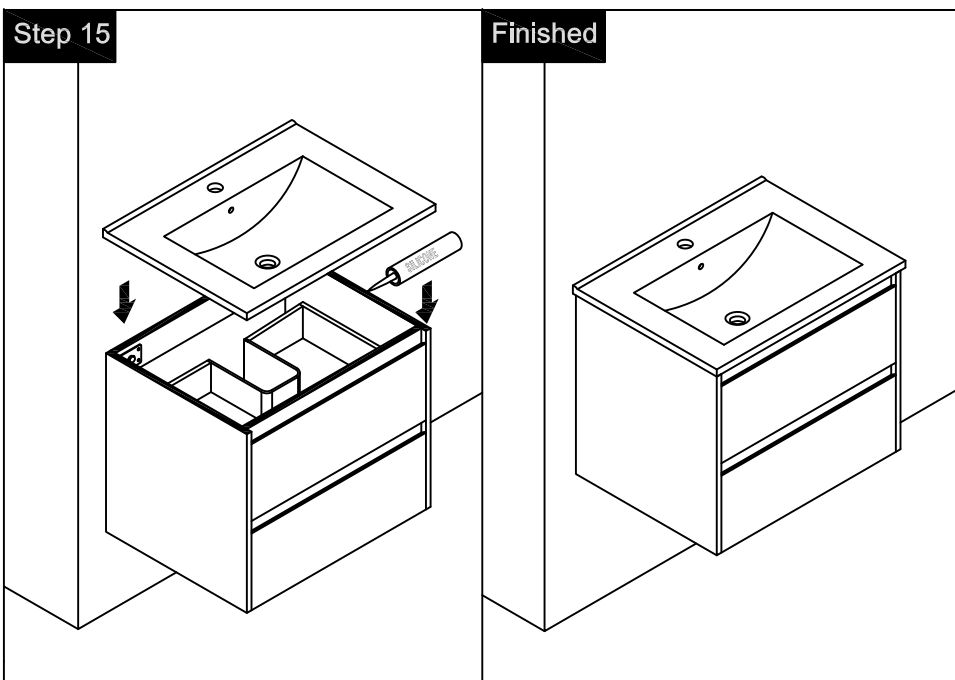
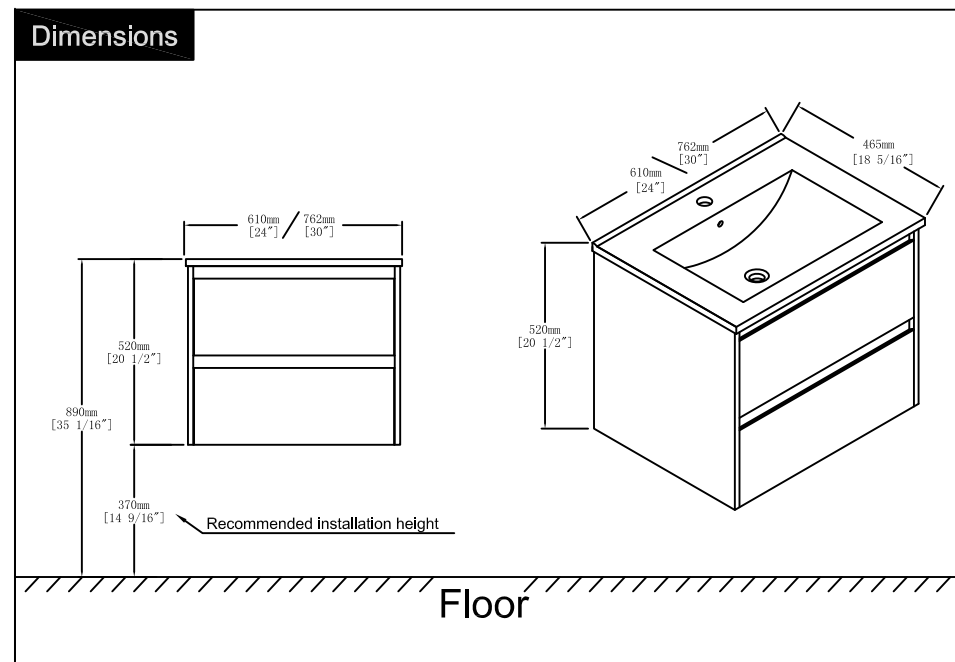
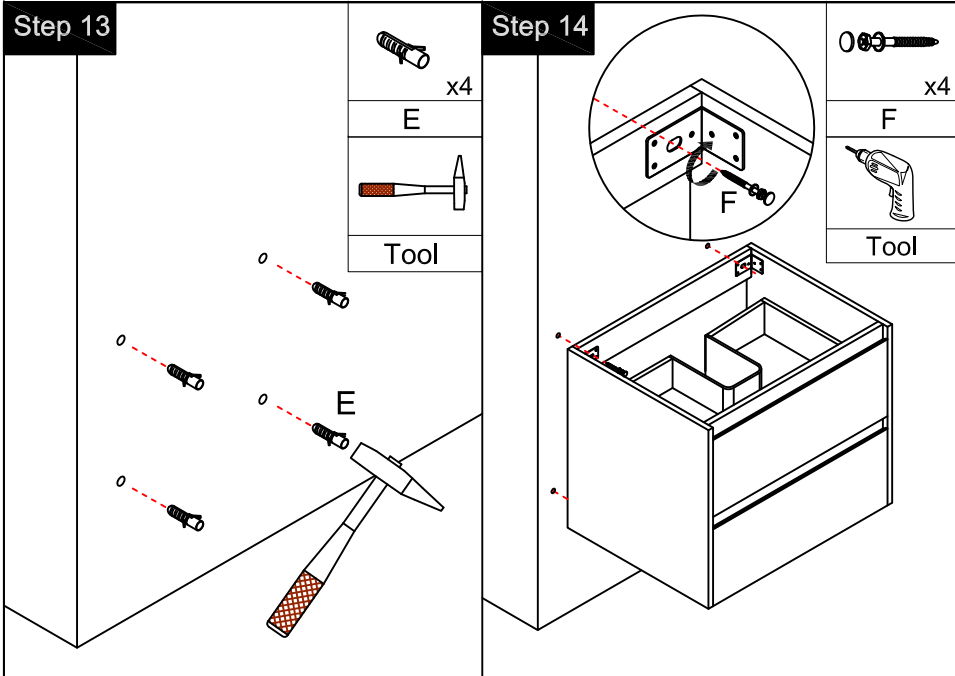
Front View



Back View

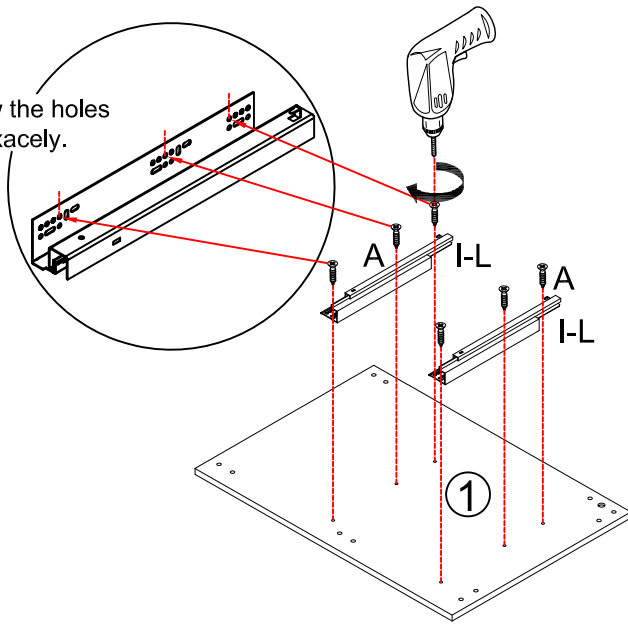
CARE CLEANING AND MAINTENANCE

1. Dust regularly with a soft , dry cloth.
2. Avoid the use of all chemicals household cleaners, abrasives, or cleaners that contain lemon, vinegar, or other acids that may damage the finish.
3. Excessive exposure to sunlight and extreme changes in temperature and moisture can damage wood furniture.
4. The sink top is resilient, but care needs to be taken to preserve its appearance.
5. Do not place hot appliances, such as curling irons and hot hair dryers directly on the countertop. Wipe spills immediately.



Step 1

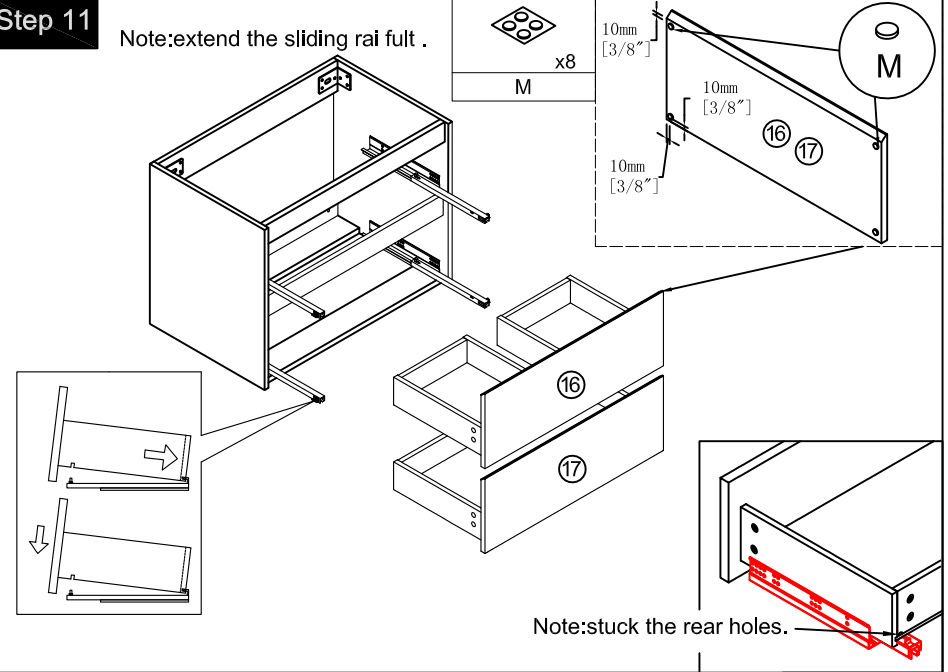
Note: Follow the holes positions exactly.



	I-L	x2
	I	(∅4 x 14mm)
	A	x6
	Tool	

Step 11

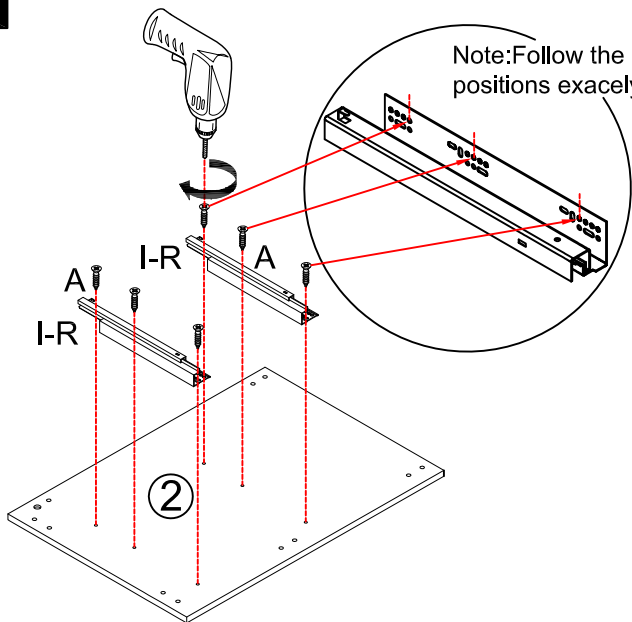
Note: extend the sliding rail full.



Note: stuck the rear holes.

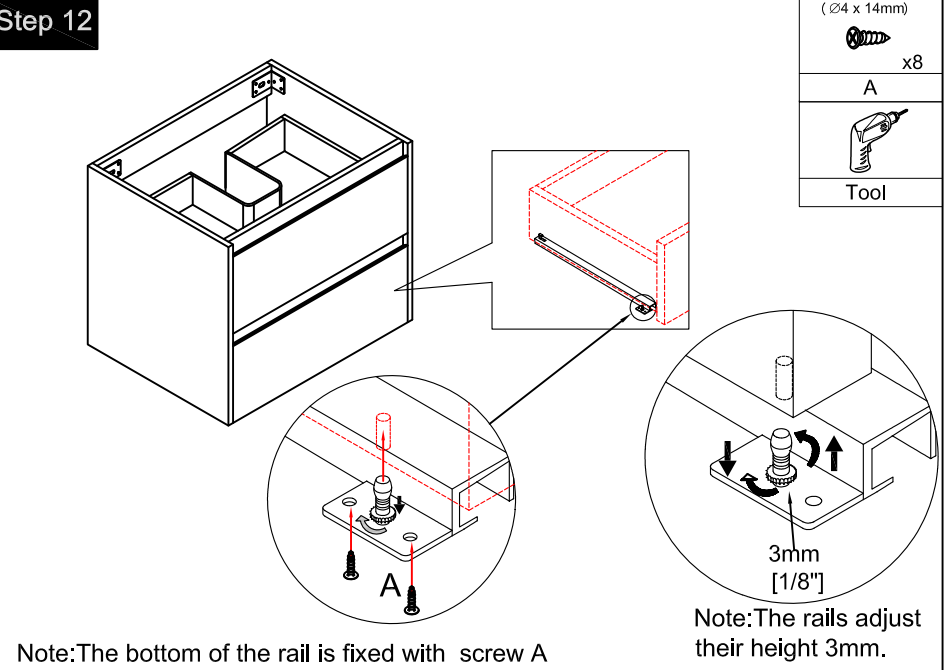
Step 2

Note: Follow the holes positions exactly.



	I-R	x2
	I	(∅4 x 14mm)
	A	x6
	Tool	

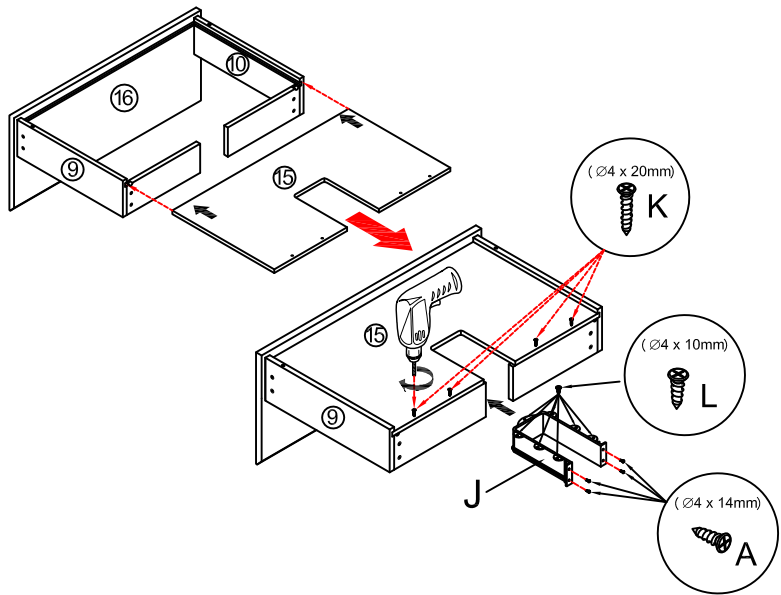
Step 12



Note: The bottom of the rail is fixed with screw A

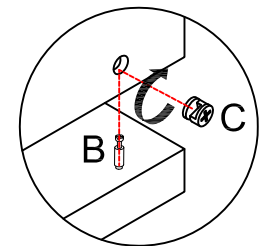
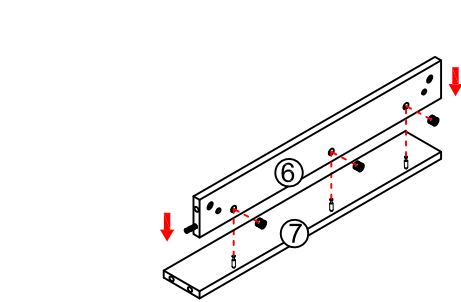
Note: The rails adjust their height 3mm.

Step 9

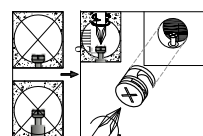


- (Ø4 x 14mm)
- A x4
- (Ø4 x 20mm)
- K x4
- (Ø4 x 10mm)
- L x7
- J x1
- Tool

Step 3

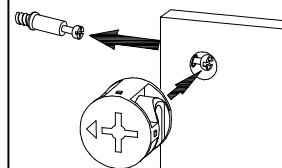


- x3
- B x3
- C x3
- N x1

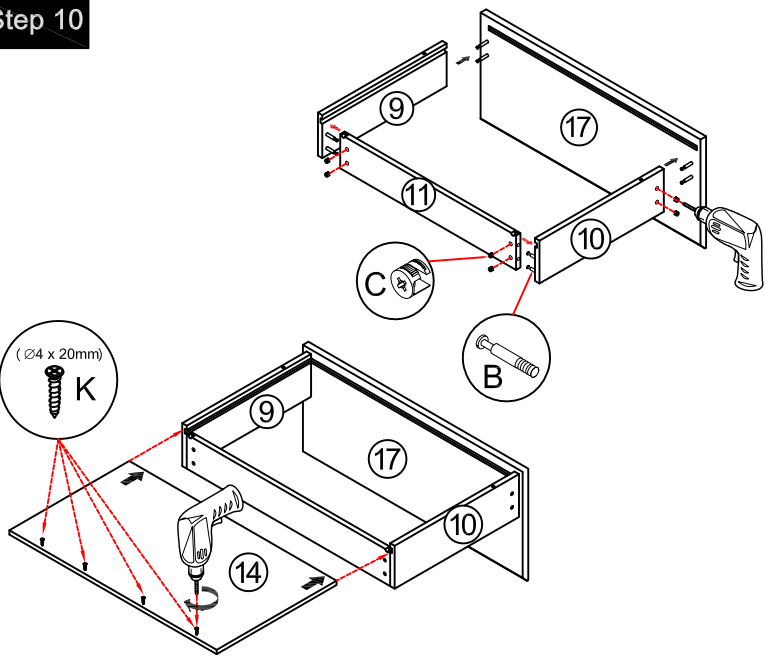


Notes: Screw installation depth as shown

Attention: The lock handle arrow points to the side face.

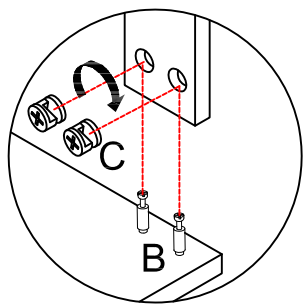
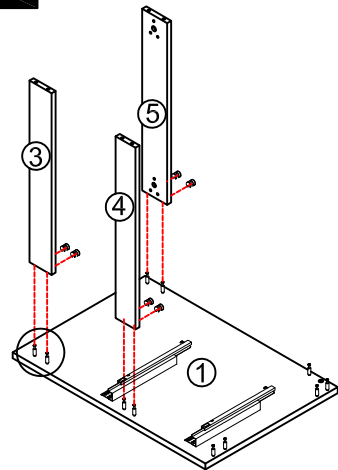


Step 10

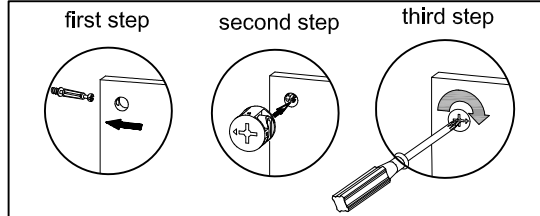


- x8
- B x8
- C x8
- (Ø4 x 20mm)
- K x4
- N x1
- Tool

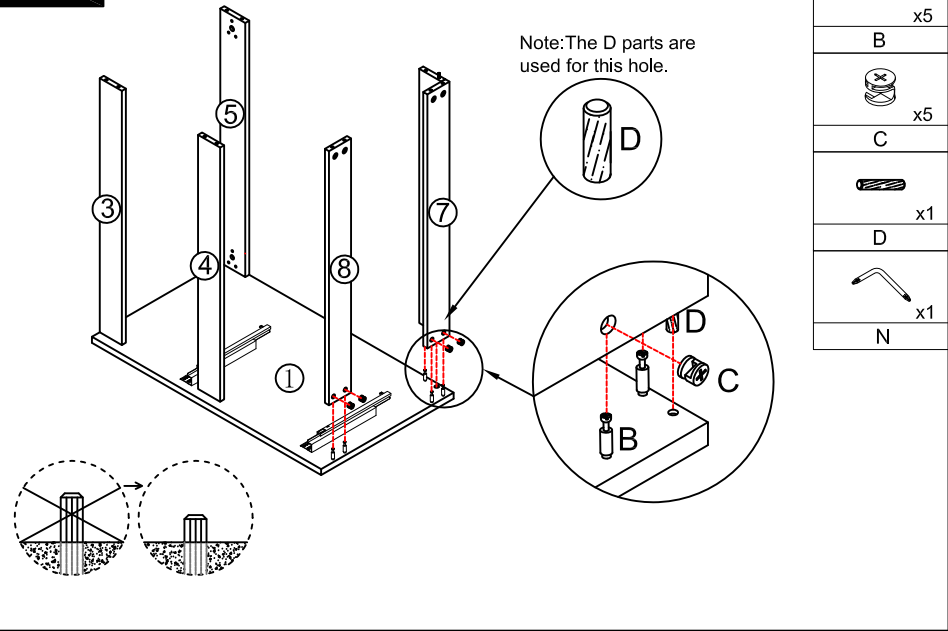
Step 4



- x6
- B x6
- C x6
- N x1

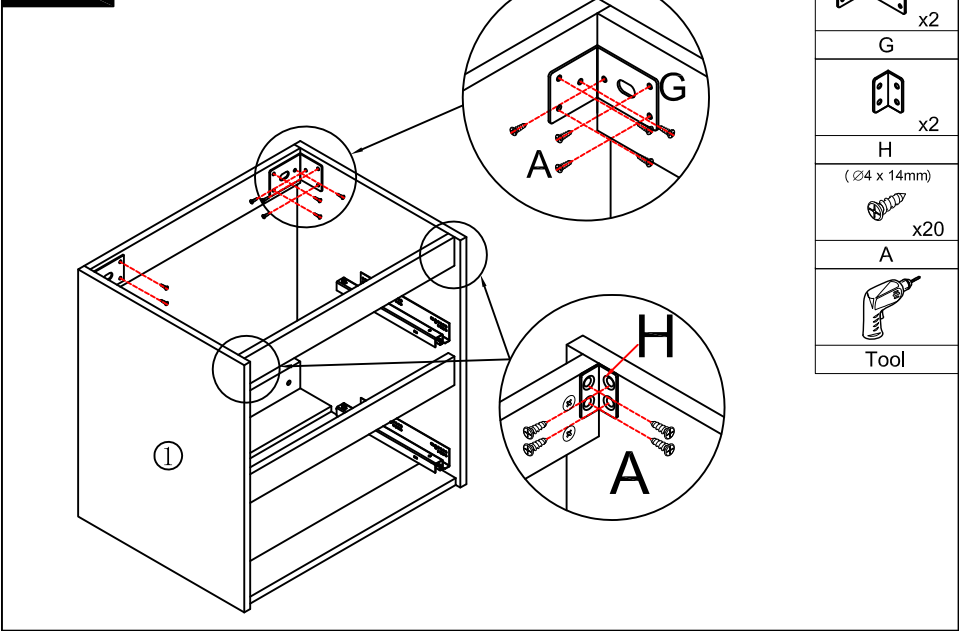


Step 5



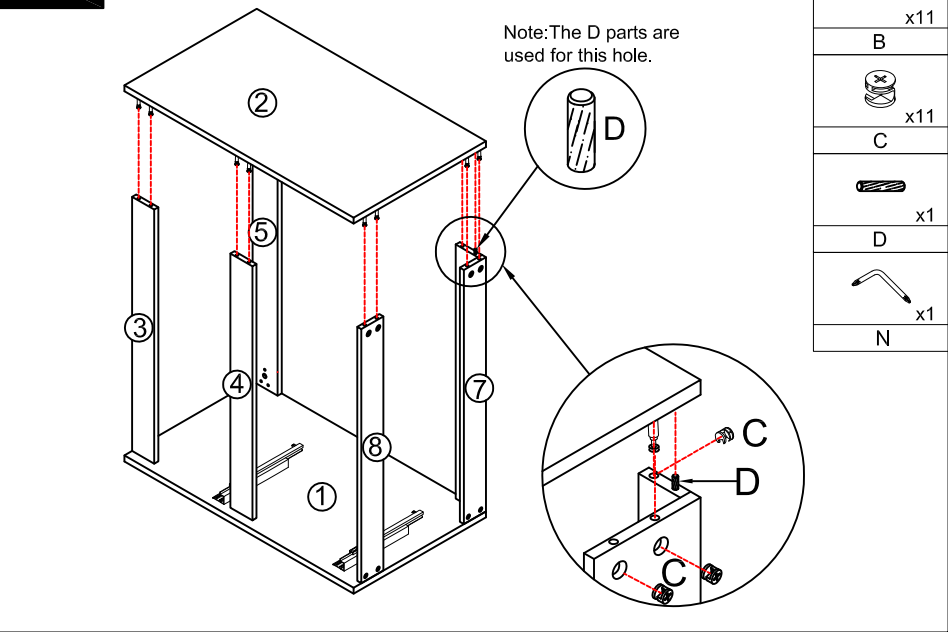
	x5
	x5
	x1
	x1

Step 7



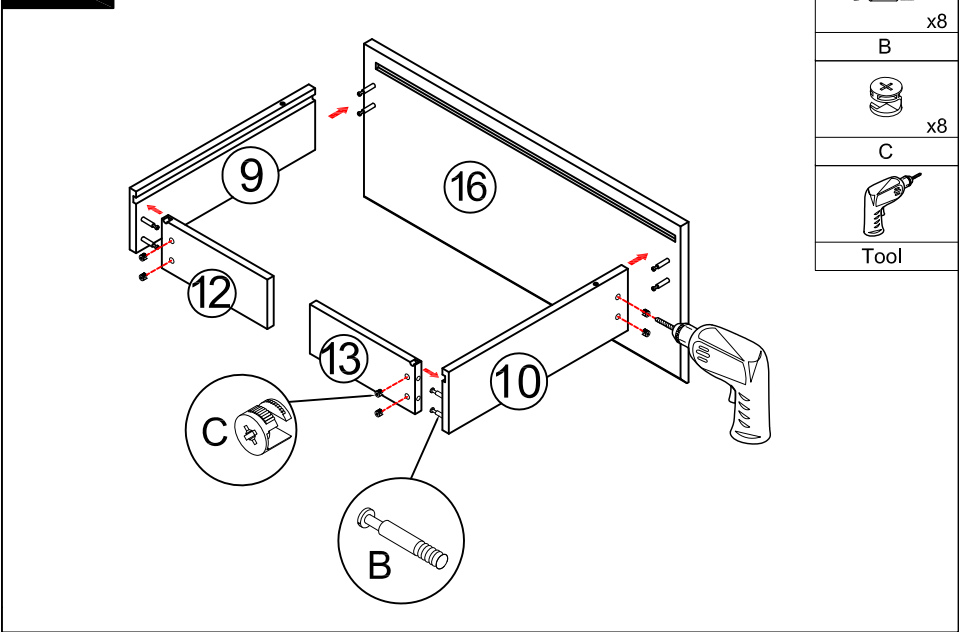
	x2
	x2
	x20
	Tool

Step 6



	x11
	x11
	x1
	x1

Step 8



	x8
	x8
	Tool