

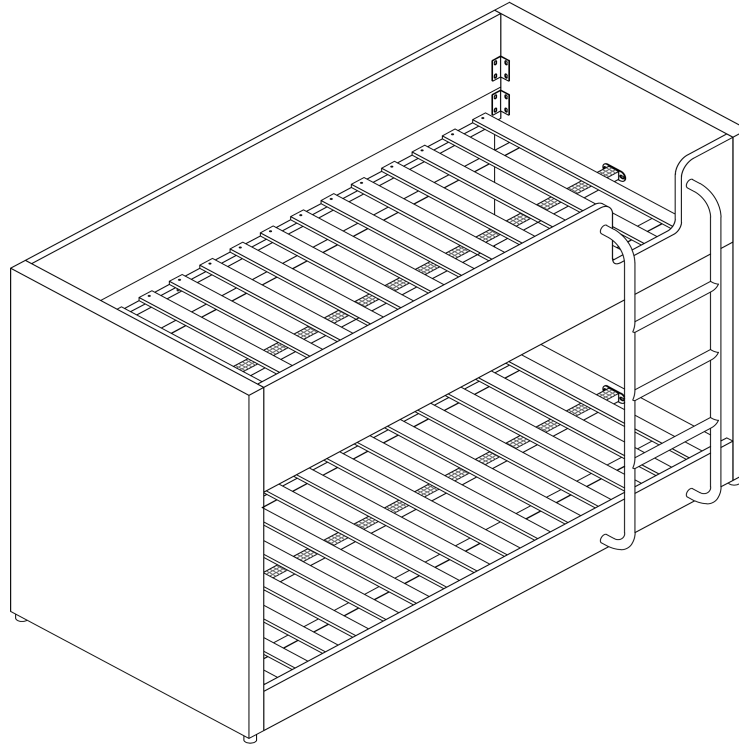
## ASSEMBLY INSTRUCTIONS

Minimum No.  
Of People  
Recommended  
To Assemble  
This Product :

**2**

Approximate  
Assembly  
Time :

**30**  
MINUTES



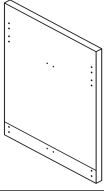
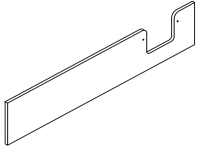
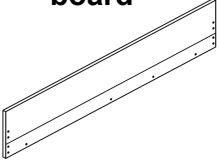
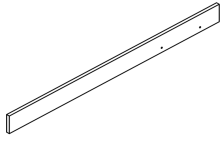
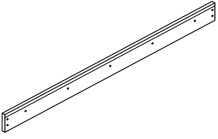
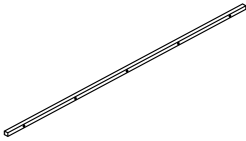
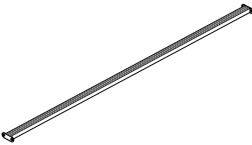
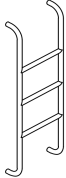
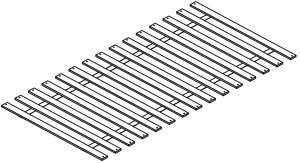
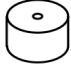

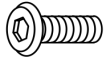
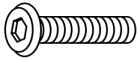



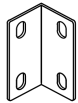
**BEFORE YOU  
START, HERE  
IS SOME  
HELPFUL  
ADVICE :**

1. We suggest you spend a short time reading through this leaflet and then follow the simple step by step instructions.
2. If you follow the instructions carefully, the end result should be worth the effort.
3. Do not discard any of the packaging until you have checked that you have all the parts and the pack of fittings is correct and you are happy with the product.
4. To ensure an easier assembly, we strongly advise that all fittings are only finger-tightened during initial assembly phase. Only upon completion of the assembly should all fixing points be fully tightened.
5. We recommend a periodic check on all fixing points to make sure they remain fully tightened.
6. Keep any fittings out of children's reach.



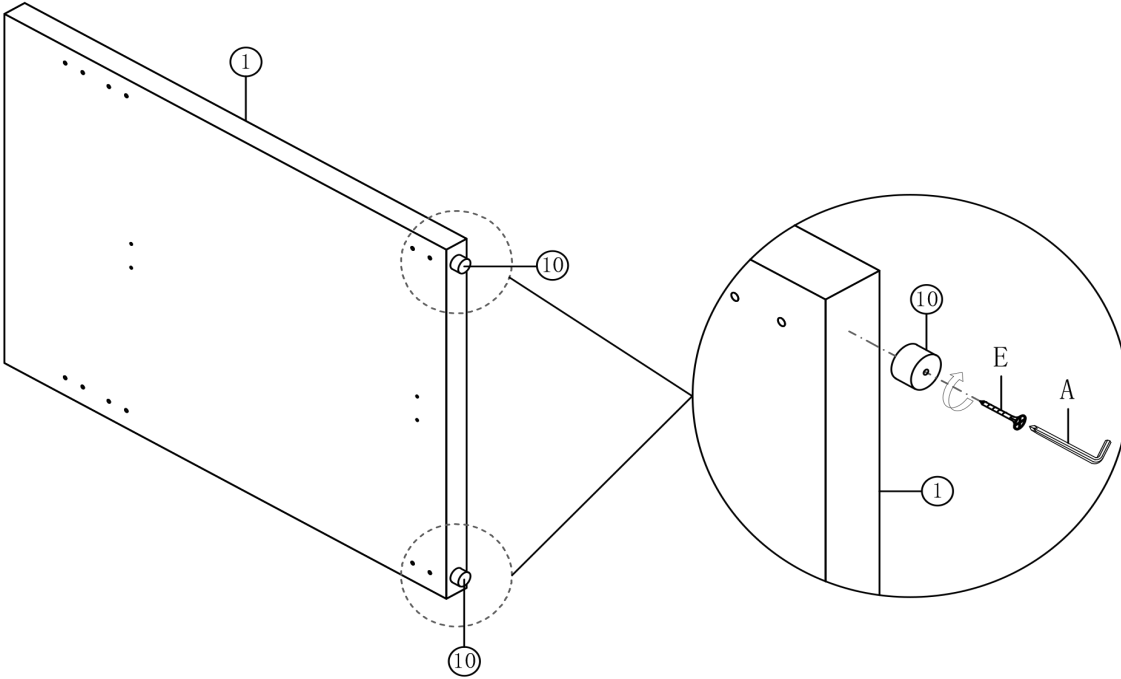
Do not use Power Tools

PARTS AND HARDWARE LISTS

<p><b>1</b> x2pcs Head board</p> 	<p><b>2</b> x1pc Front guardrail board</p> 	<p><b>3</b> x1pc Back guardrail board</p> 	<p><b>4</b> x1pc Front Side board</p> 
<p><b>5</b> x1pc Back Side board</p> 	<p><b>6</b> x4pcs Side rail</p> 	<p><b>7</b> x2pcs Central bar</p> 	<p><b>8</b> x1pc Ladder</p> 
<p><b>9</b> x30pcs Flat slat</p> 	<p><b>10</b> x4pcs Leg</p> 		
<p><b>A</b> x1pc</p> 	<p><b>B</b> x56pcs</p>  <p>M8x20mm</p>	<p><b>C</b> x24pcs</p>  <p>M8x45mm</p>	<p><b>D</b> x60pcs</p>  <p>M4x30mm</p>
<p><b>E</b> x4pcs</p>  <p>M4x50mm</p>	<p><b>F</b> x4pcs</p> 	<p><b>G</b> x12pcs</p> 	

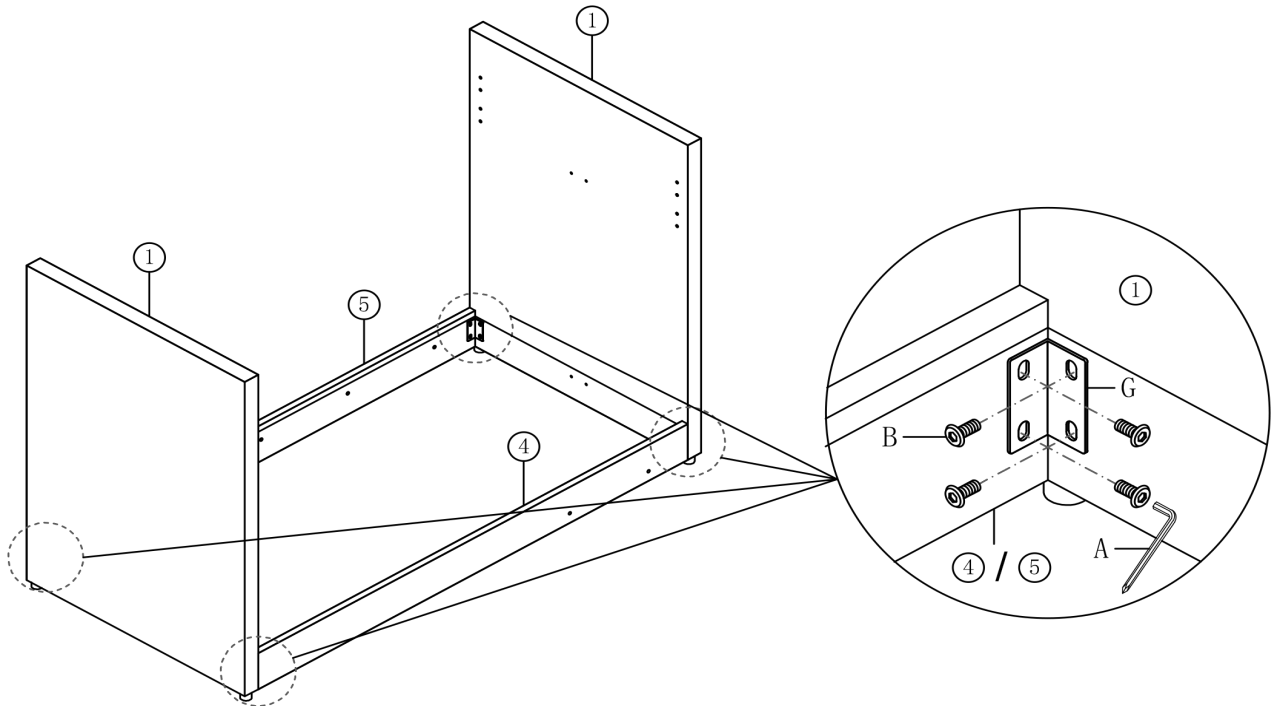
**STEP 1**

Fix the Leg ⑩ to the Head board ① with Screws E by using Allen key A.



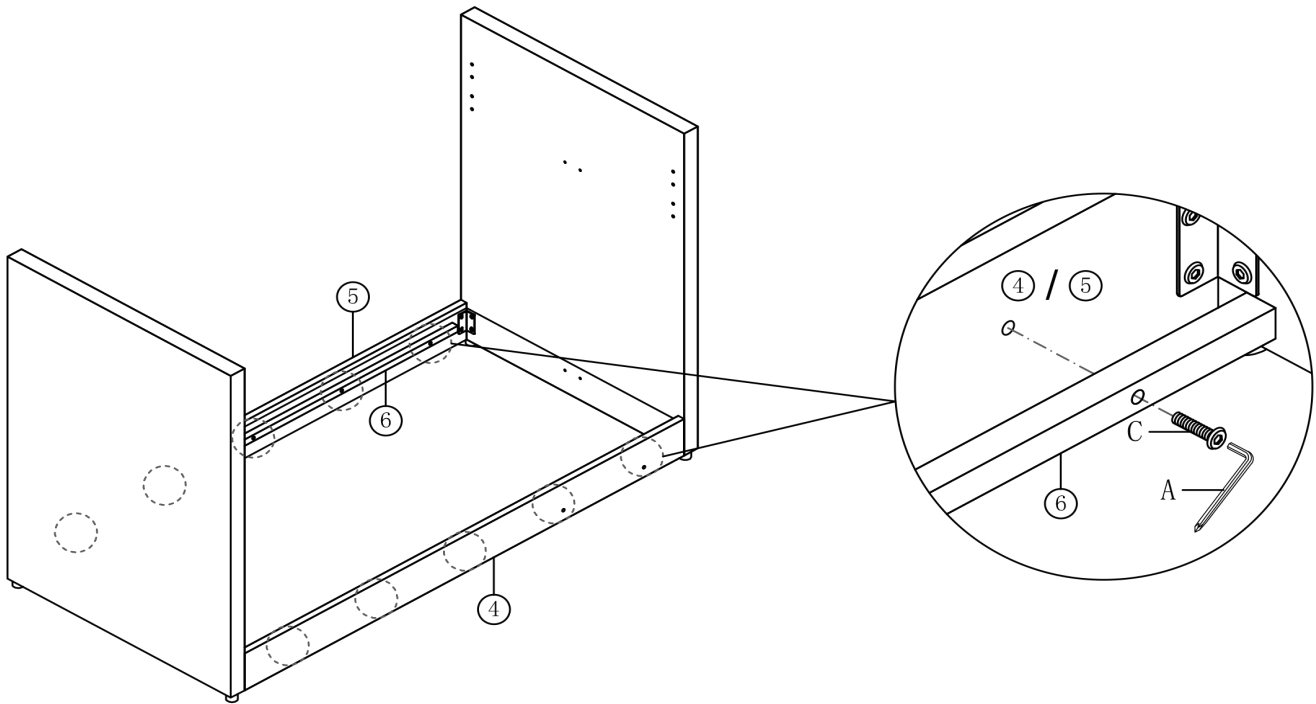
**STEP 2**

Fix the Front Side board ④ and Back Side board ⑤ to the Head board ① with Bolts B and Connector G by using Allen key A.



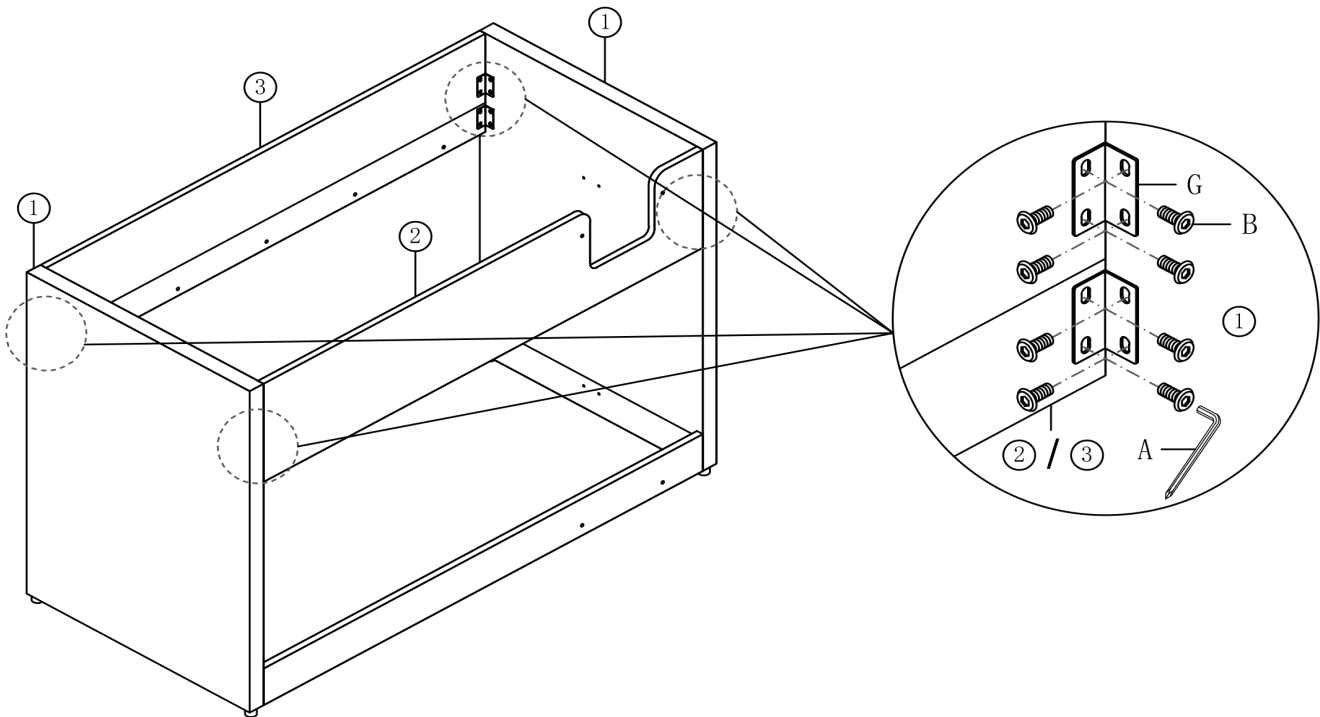
**STEP 3**

Fix the Side rail ⑥ to the Front Side board ④ and Back Side board ⑤ with Bolts C by using Allen key A.



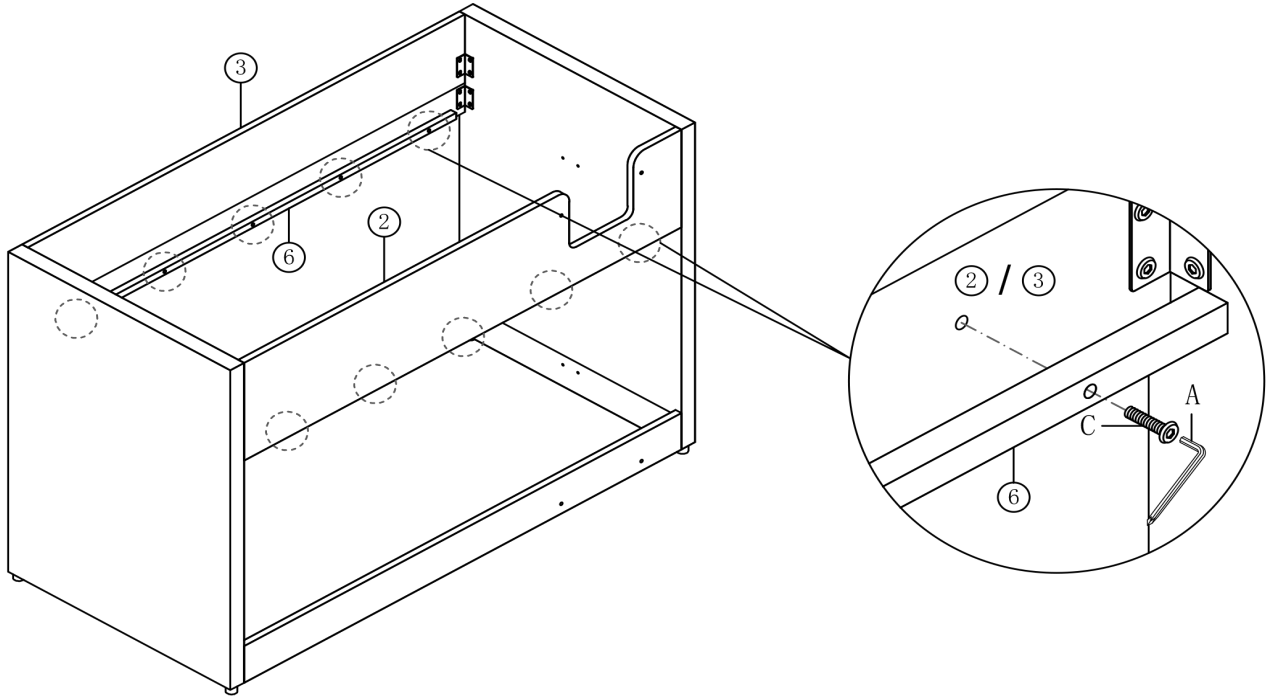
**STEP 4**

Fix the Front guardrail board ② and Back guardrail board ③ to the Head board ① with Bolts B and Connector G by using Allen key A.



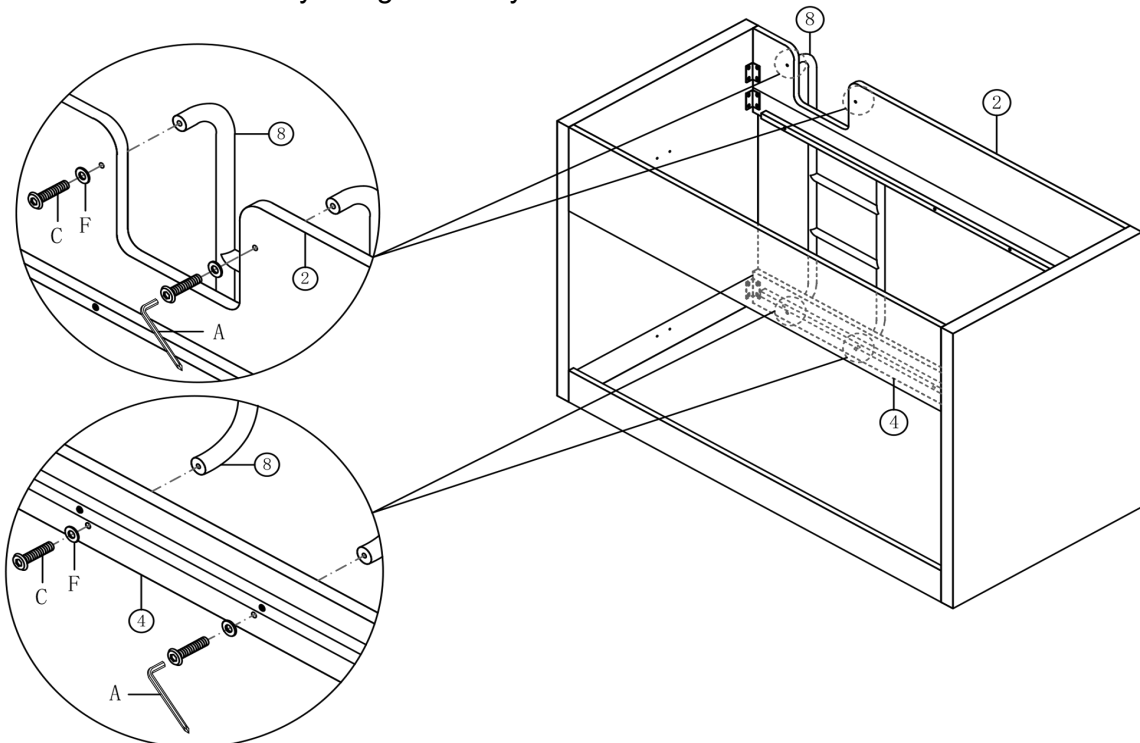
**STEP 5**

Fix the Side rail ⑥ to the Front guardrail board ② and Back guardrail board ③ with Bolts C by using Allen key A.



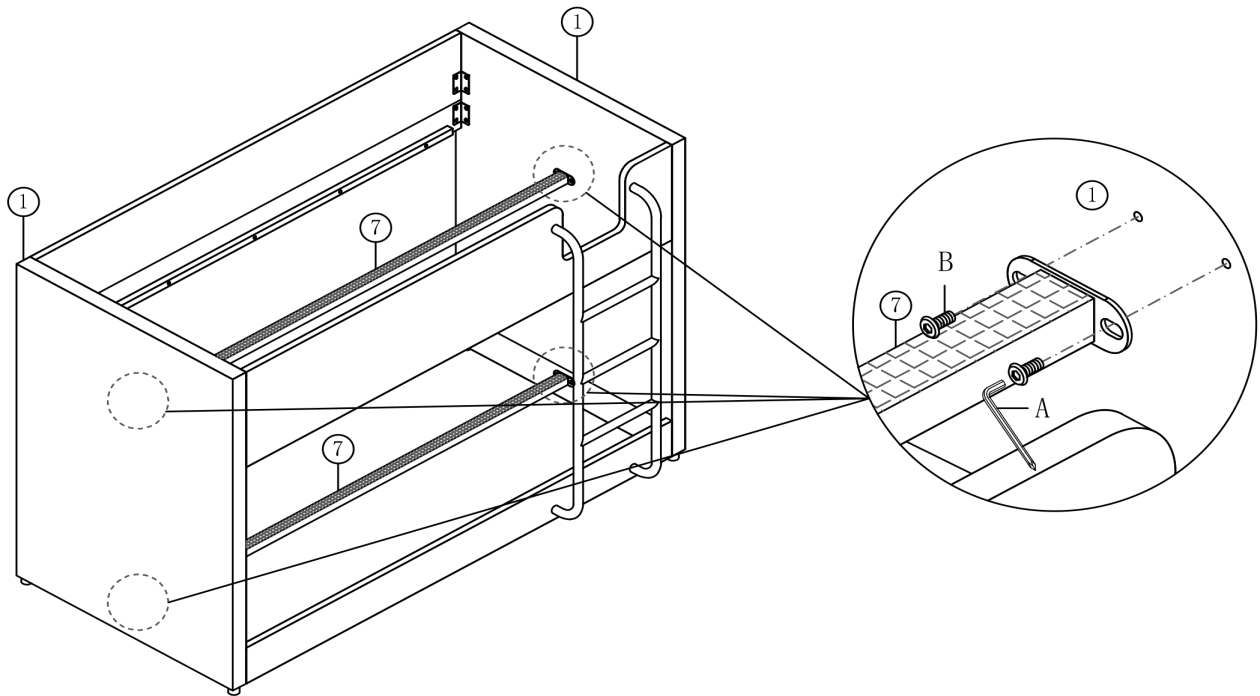
**STEP 6**

Fix the Ladder ⑧ to the Front guardrail board ② and Front Side board ④ with Bolts C and Washer F by using Allen key A.



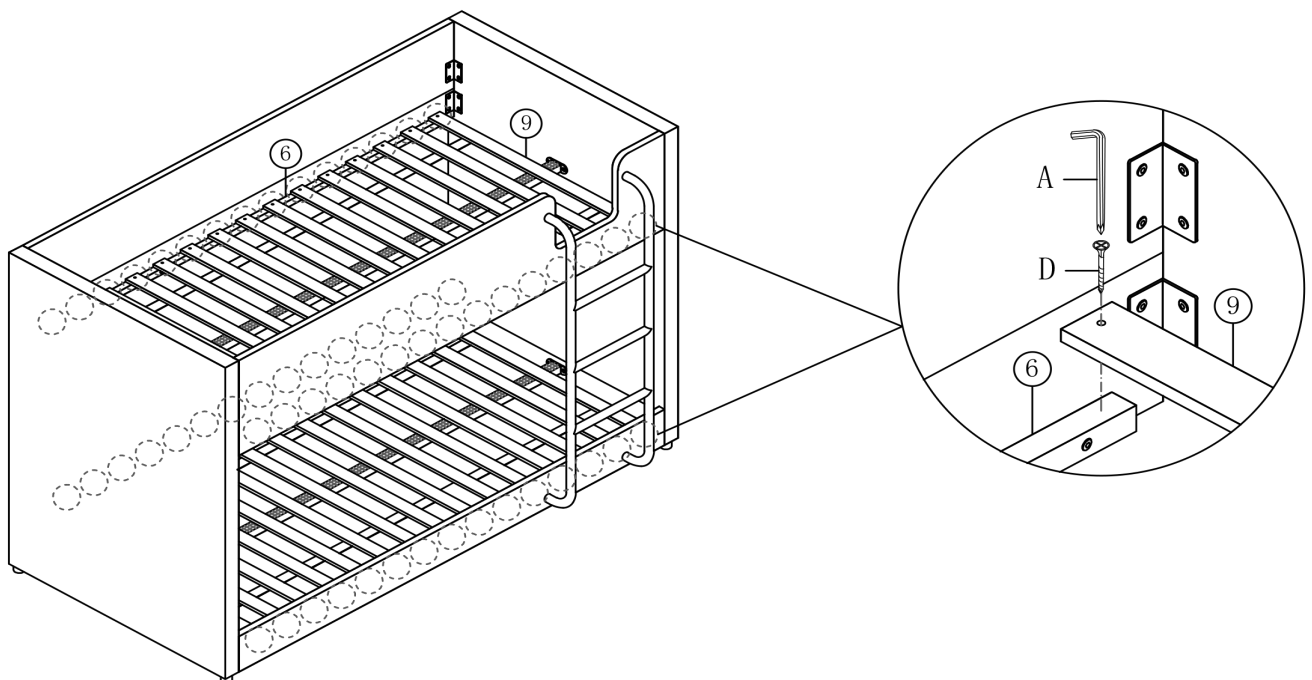
**STEP 7**

Fix the Middle Central bar ⑦ to the Head board ① with Bolts B by using Allen key A.



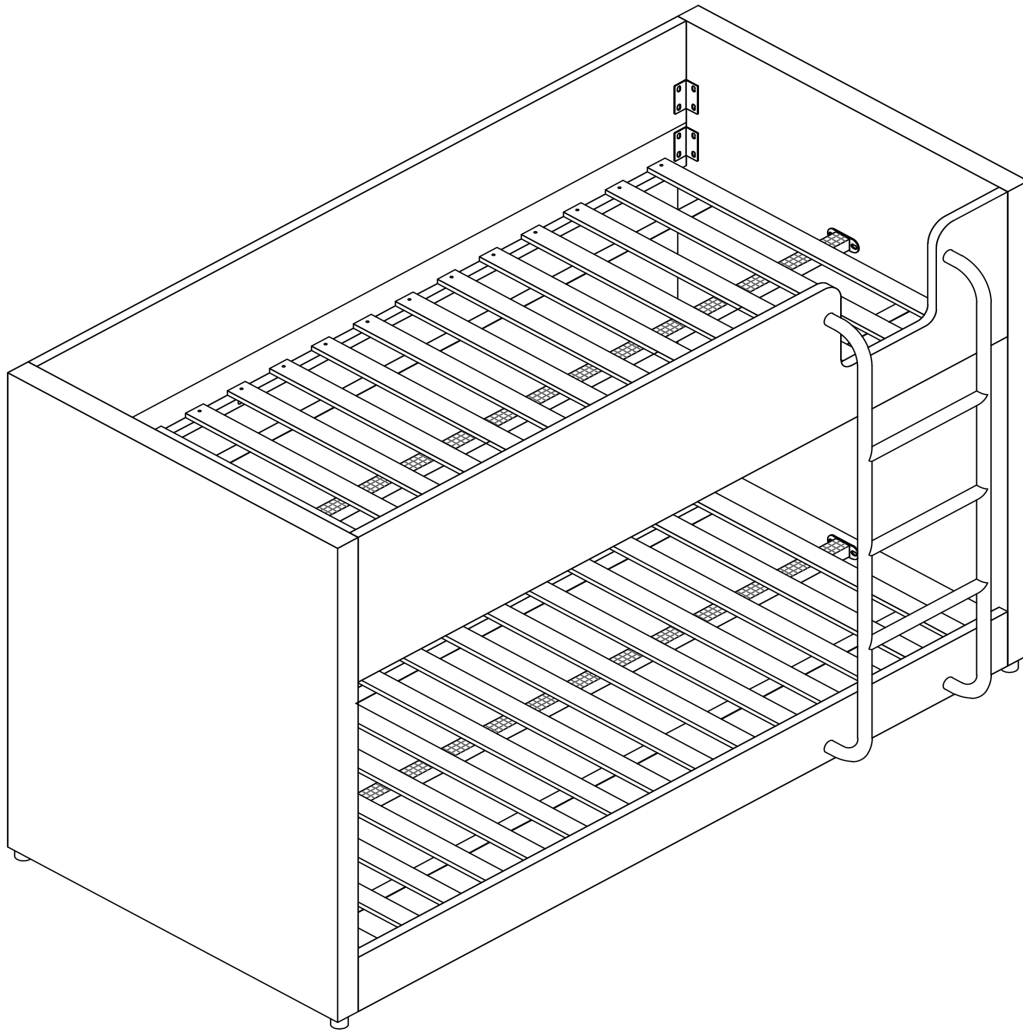
**STEP 8**

Fix the Flat slat ⑨ to the Side rail ⑥ with Screws D by using Allen key A.



**STEP 9**

Every thing is finished now, please enjoy your bed.



## Caring for your New product

- When assembling your product please ensure that you have checked the contents for all relevant parts.
- When tightening bolts make sure that they are fully tightened but not forced.

### BEDS WITH CENTRE LEGS

- PLEASE NOTE THE RECOMMENDED PROCESS FOR ADJUSTING CENTRE LEGS WHEN ASSEMBLING YOUR BED.
- BEFORE PLACING THE MATTRESS ON THE BASE, PLEASE ENSURE THAT THE SUPPORT LEGS ARE NOT QUITE TOUCHING THE FLOOR. WHEN THE BED IS THEN IN USE THE SUPPORT LEGS WILL SIT FIRMLY ON THE SOLID SURFACE.
- PLEASE ENSURE THAT THE LEGS ARE VERTICAL.
- **DUE TO THE NATURE OF LAMINATE FLOORING WE RECOMMEND THAT YOU PLACE A SMALL PIECE OF NON SLIP MATERIAL UNDER THE LEGS WHICH WILL GIVE YOU THE FLEXIBILITY THAT THE ADJUSTERS NEED.**
- WHEN MOVING THE BED IT IS ESSENTIAL THAT IT IS **LIFTED** INTO THE NEW POSITION. **NEVER DRAG** THE BED AS THIS WILL MOVE THE LEGS FROM THE VERTICAL POSITION THUS WEAKENING THE SUPPORT OF THE CENTRE RAIL.
- ADHERING TO THE RECOMMENDED PROCESS SHOULD ENSURE THAT YOUR BED GIVES YOU YEARS OF TROUBLEFREE SERVICE.
- It is advisable to use approved cleaning products when cleaning our products as certain chemical based cleaners could have an adverse effect on the bed finish.

- All of our beds are produced to the highest standards and are packed to avoid damage in transit, should you find that your new bed does not meet with your satisfaction please contact our customer care team on 01455 850150.
- **PLEASE NOTE: GOODS THAT NEED TO BE RETURNED SHOULD BE SENT BACK IN ORIGINAL PACKAGING.**

## **PROBLEMS?**

**SHOULD YOU ENCOUNTER ANY DIFFICULTY WITH THE  
ASSEMBLY OF YOUR BED,  
PLEASE DO NOT TROUBLE YOUR RETAILER BUT  
CALL or E-MAIL our  
CUSTOMER SERVICES DEPARTMENT  
BETWEEN THE HOURS OF  
9.00am to 5.00pm MONDAY to THURSDAY  
9.00am to 4.00pm FRIDAY**

**Tel:-01455 850150**

**E-mail: - [customerservice@limelightbeds.co.uk](mailto:customerservice@limelightbeds.co.uk)**

**Please have the following information ready for our staff:**

**Product name  
Part number from the Assembly Instructions  
Batch code  
Name of Retailer purchased from**

# Product Care Instructions

As we want you to get the best out of your new purchase and we understand that accidents may happen, we have partnered with Staingard to help you keep your bed looking brand new. Staingard can supply a Fabric Care Kit that will work best with your fabric choice and can also supply floor protection products. Please contact them quoting 'Limelight' and they will advise the best kit for your fabric.



**Welcome to Staingard – *you're in safe hands***

For almost two decades Staingard has been providing consumers with the very best products with which to care for their treasured possessions.

Please contact Staingard on

[sales@staingard.co.uk](mailto:sales@staingard.co.uk) or 01244 888658