

Installation Diagram

Note: Tabletop height is adjustable

①

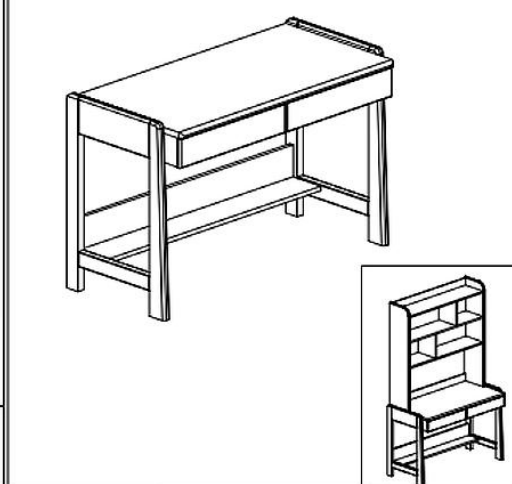
Installation Step 1

(1) First connect No. 2 and No. 3
 (2) Then connect the left and right No. 1 boards

②

Installation Step 2

(1) First connect No. 5 to No. 6 board
 (2) Then connect No. 4 to No. 5 board
 (3) Finally connect No. 7 board to the left/right No. 4 and No. 6 boards



③

Installation Step 3

(1) First connect No. 8 to the left/right No. 4 and No. 6, 7 boards
 (2) Then install the slide rails on the left/right No. 4 boards
 (3) Then connect No. 9, 10, 11, 12 boards, install slide rails, and put into the cabinet body

④ Desk Exploded View

Hardware Parts List

No.	Name	Icon	Spec	Qty	Unit
01	Large 3-in-1 Cam		φ15	30	Set
02	Wooden Dowel		φ8×30	11	Piece
03	Flat Head Screw		φ6×30	4	Piece
04	Self-tapping Screw		φ3.5×14	42	Piece
05	Self-tapping Screw		φ3.5×35	14	Piece
06	Hole Sticker			1	Sheet
07	3-section Slide Rail		16 inch	2	Pair
08	Foot Pad		φ15	6	Piece
09	Connecting Plate		76*21*2	3	Piece
10	Manual			1	Book
11	Wood Screw		φ7×38	6	Piece

No.	Name	Qty	Remark	No.	Name	Qty	Remark	No.	Name	Qty	Remark	No.	Name	Qty	Remark
01	Left/Right Side Frame	2	Left/Right	7	Upper Back Connecting Board	1		13				19			
02	Lower Back Panel	1		8	Panel	1		14				20			
03	Lower Shelf	1		9	Drawer Front	2	Left/Right	15				21			
04	Left/Right Small Side	2	Left/Right	10	Drawer Side	4	Left/Right	16				22			
05	Front Connecting Strip	1		11	Drawer Back	2		17				23			
06	Small Middle Side	1		12	Drawer Bottom	2		18				24			