


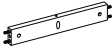

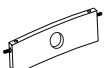

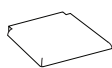



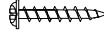



# ASSEMBLY INSTRUCTION

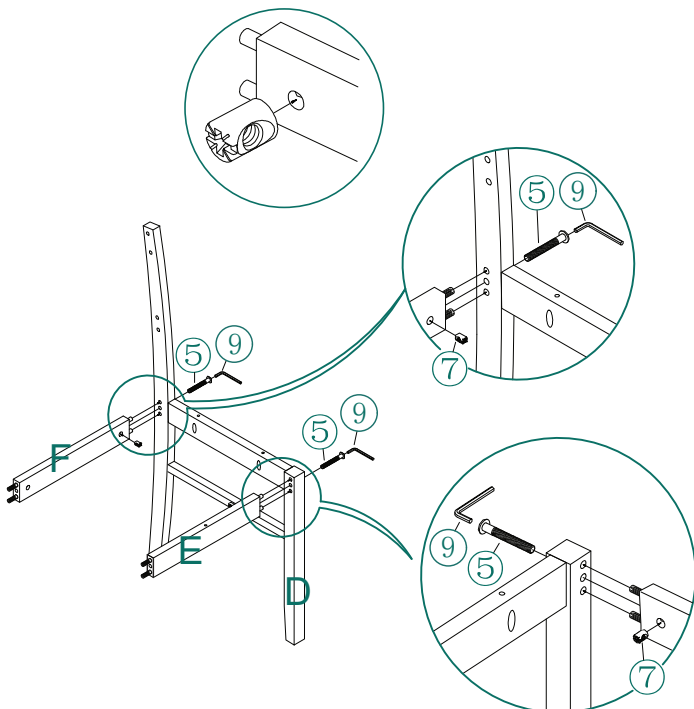
Thank you for purchasing this product. Please take time to read and follow the instructions below. Check that you have all parts and hardware before assembly. Parts apparently missing are often found in the packing materials. If you do not have all the parts listed, have your dealer contact us and they will be sent to you immediately.

 It is recommended to install protective pads under all legs and supports to avoid damage or scratches when placing furniture on a wood floor or other hard surface, and to limit indentation and prevent discoloration if placing on carpet

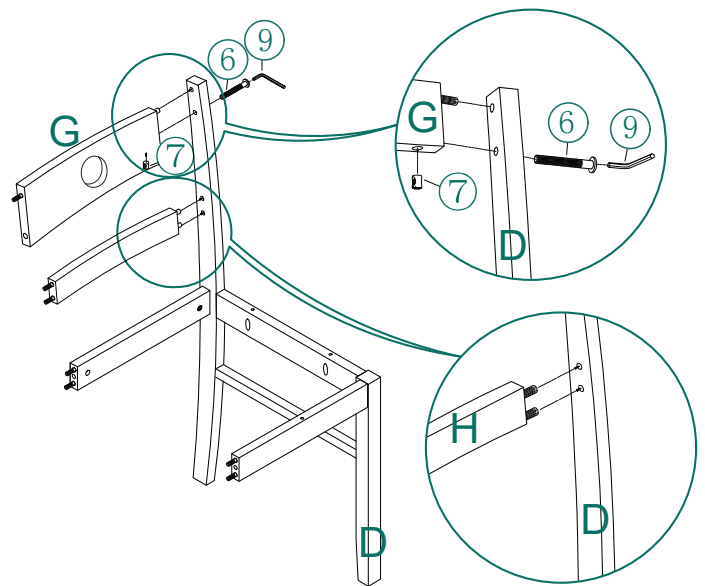
PARTS LIST			
C	Left Frame		4 pcs
D	Right Frame		4 pcs
E	Front Stretcher		4 pcs
F	Back Stretcher		4 pcs
G	Back Rest		4 pcs
H	Back Rest (Small)		4 pcs
I	Cushion Seat		4 pcs

HARDWARE LIST			
5	Ø6 x 60mm		17 pcs (Extra 1 pc)
6	Ø6 x 45mm		9 pcs (Extra 1 pc)
7	Ø6 x 12mm		25 pcs (Extra 1 pc)
8	Ø4mm x 25mm		21 pcs (Extra 1 pc)
9	M4 Allen Key		1 pc

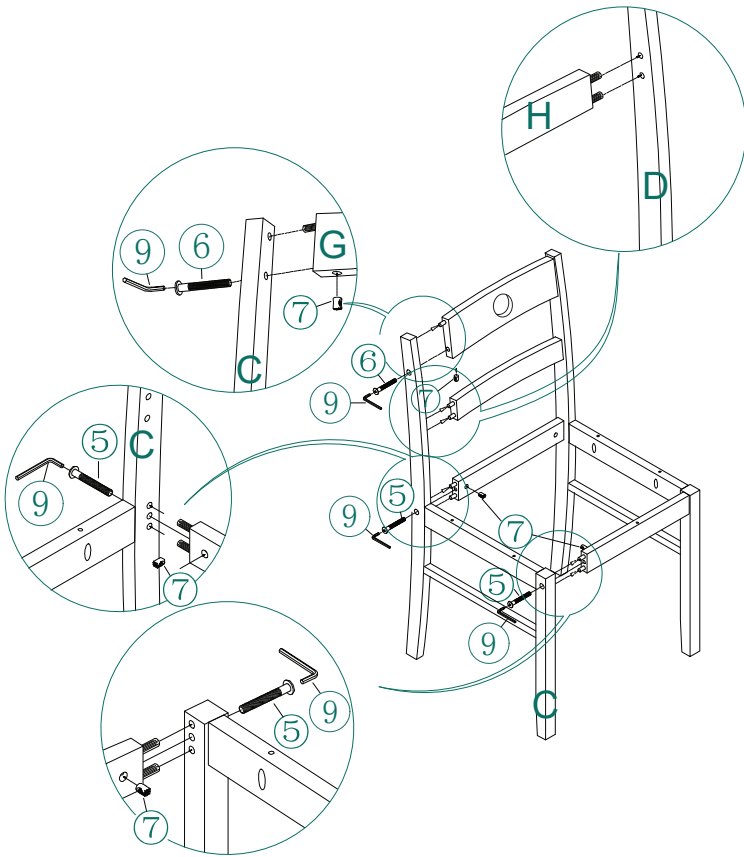
## STEP 1



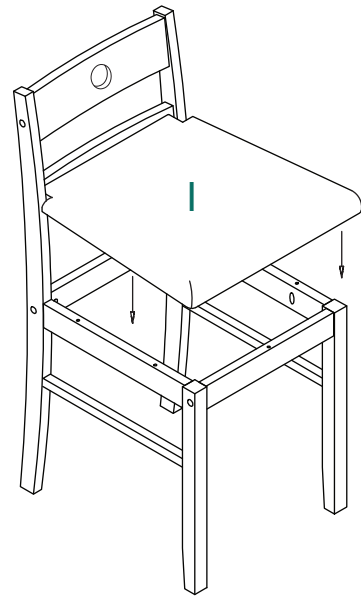
## STEP 2



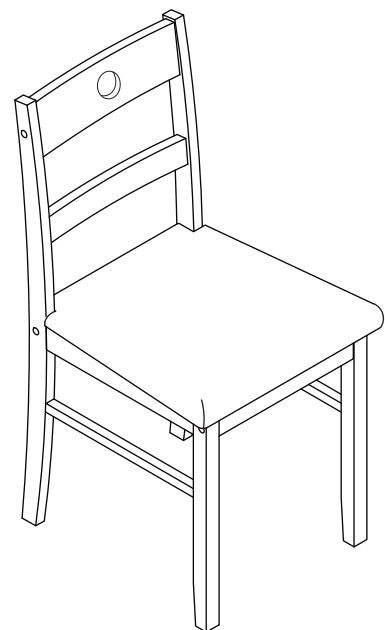
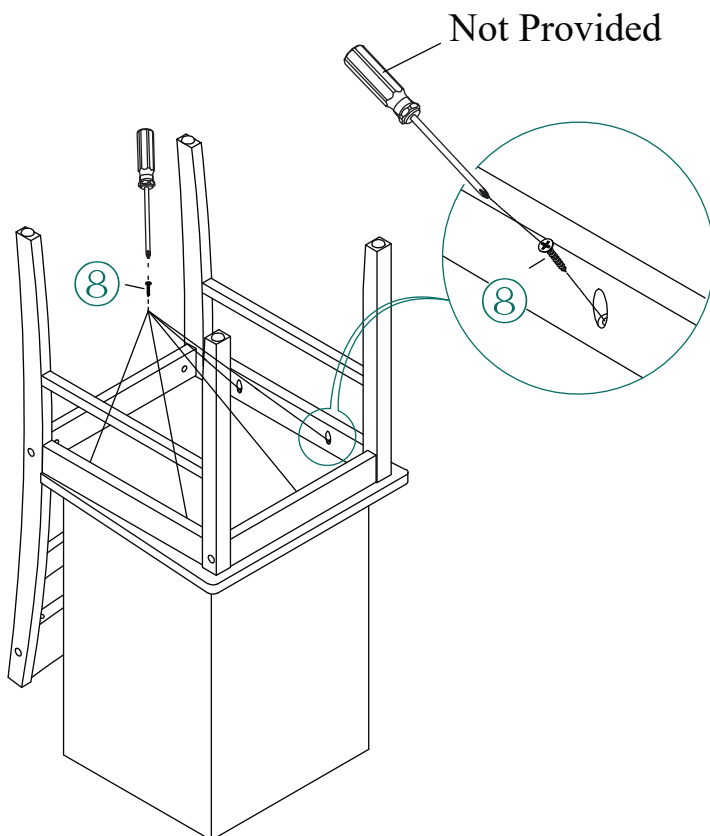
### STEP 3



### STEP 4



### STEP 5



COMPLETED ASSEMBLY