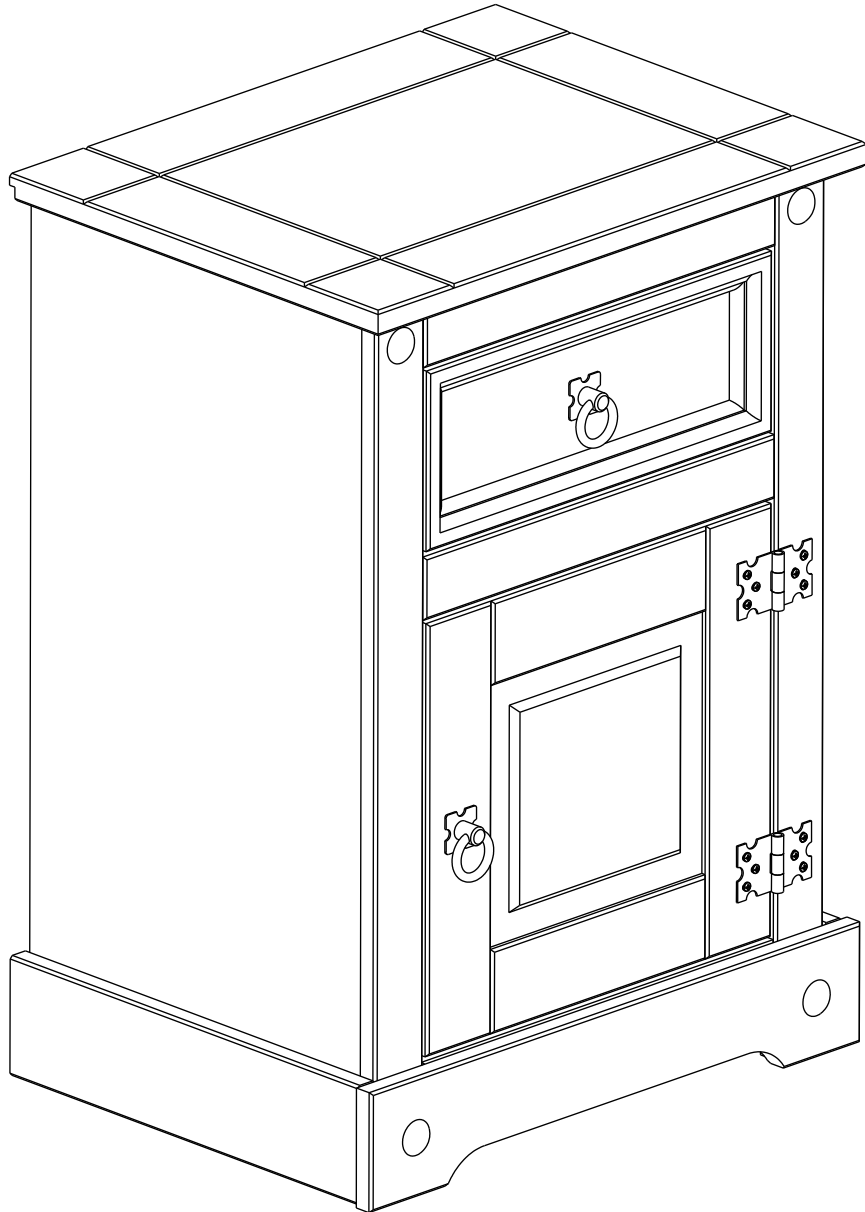


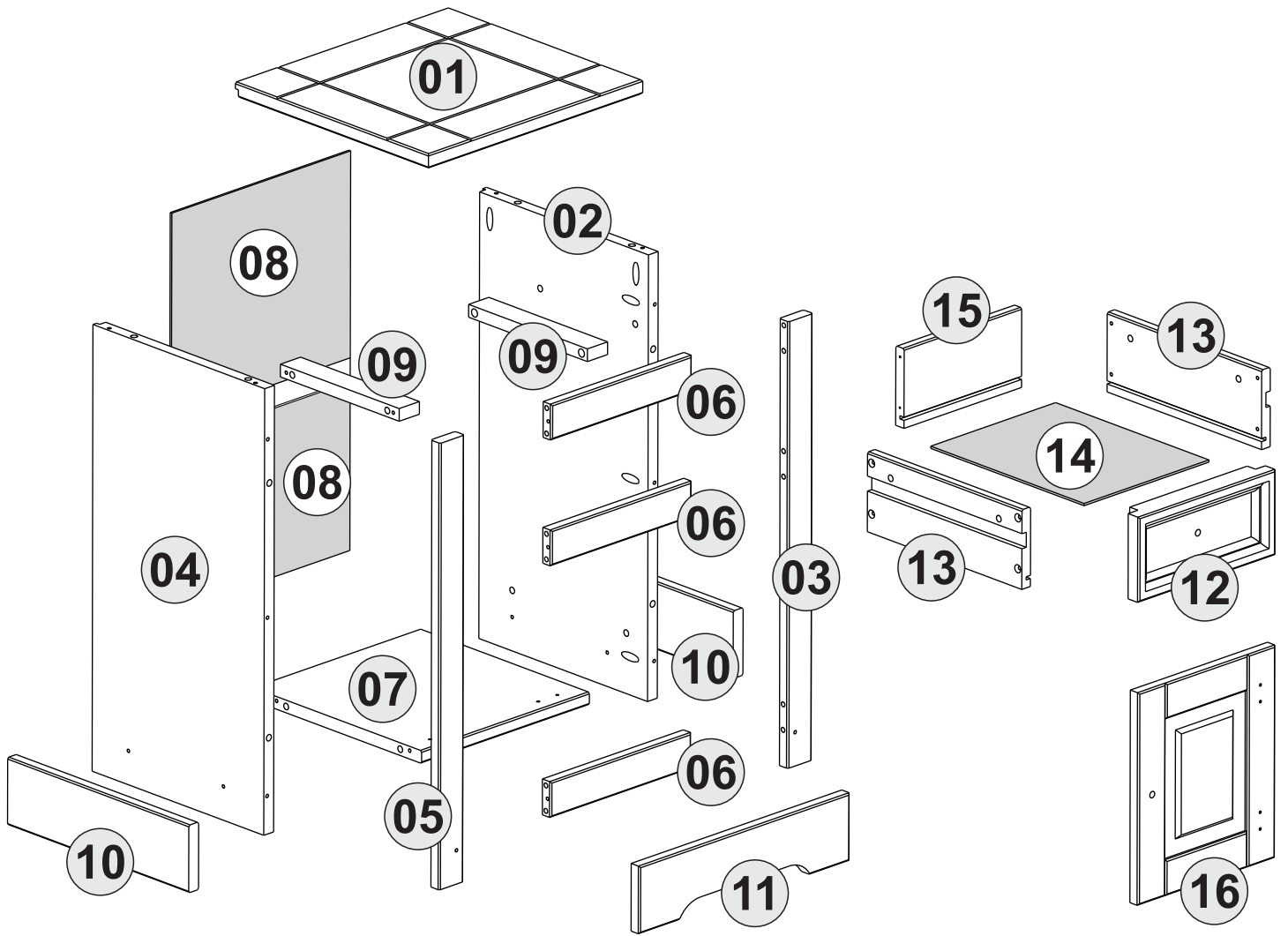
1 DRAWER 1 DOOR BEDSIDE

ASSEMBLY INSTRUCTIONS



IMPORTANT
PLEASE READ BEFORE YOU CONTINUE FURTHER
FOR DOMESTIC USE ONLY
CARE AND MAINTENANCE

- After unpacking this product please keep the original packaging in case it needs to be returned for any reason.
- Please ensure all fittings and parts are present before commencing with assembly.
- We recommend that you lay a blanket or sheet on the floor to avoid damage to both your floor and the product.
- We strongly recommend that you keep children away from your work area.
- Assemble this product as close to its final position as possible
- Never drag or push products as this could cause damage to the joints making it inferior.
- Do not drag or push items across your furniture as this may cause the surface to scratch.
- Do not place this product next to radiator or in direct sunlight.
- Wood is a natural product and may expand if subjected to damp and may shrink or crack if subjected to heat. Therefore it is recommended that room temperature is maintained, with no sudden temperature fluctuations.
- Make sure any spillage is Wiped off immediately.
- Do not place hot or chilled items directly on to the surface, use a place mat or marking will occur.
- For general cleaning use soft cotton or micro fibre cloth and do not use detergents of any kind.
- Do not place on a wet or damp floor as staining may occur to your floor.
- From time to time it may be necessary to tighten fittings, regular inspections should be carried out.



Please Note:

The parts below have been stamped with the part number/color to help identify them during assembly

PARTS LIST

Part Number	Part Description	Quantity	Carton
01	Top Panel	1	1/1
02	Right Side Panel	1	1/1
03	Right Front Upright	1	1/1
04	Left Side Panel	1	1/1
05	Left Front Upright	1	1/1
06	Front Crossbeam	3	1/1
07	Base	1	1/1
08	Back Panel	2	1/1
09	Drawer Runner	2	1/1
10	Side Foot	2	1/1
11	Front Foot	1	1/1
12	Drawer Front	1	1/1
13	Drawer Side	2	1/1
14	Drawer Bottom	1	1/1
15	Drawer Back	1	1/1
16	Door	1	1/1

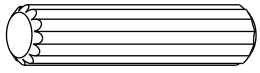



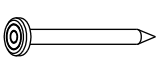
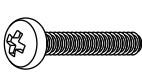
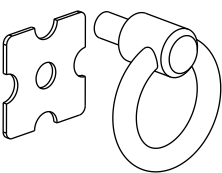
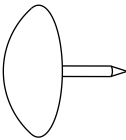



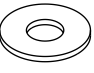
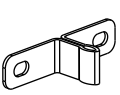
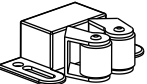


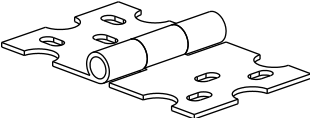
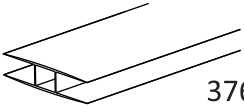
* Use of power tools to assemble this product will invalidate any claim and damage this product making it unsafe !!!
* Please assemble on a clean soft surface to avoid damage.

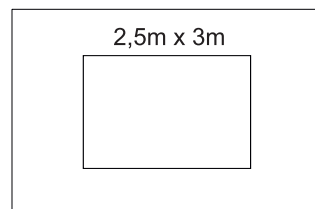
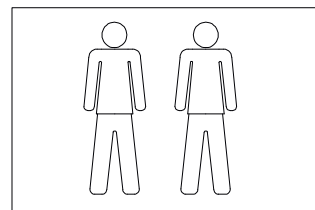
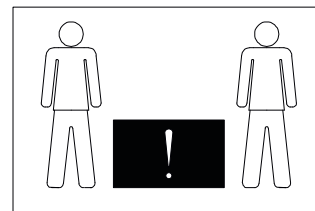


* Please check contents and read the instructions before commencing assembly.
* Assemble this product following the enclosed instructions carefully.
* Please take care to avoid damaging panels during assembly.

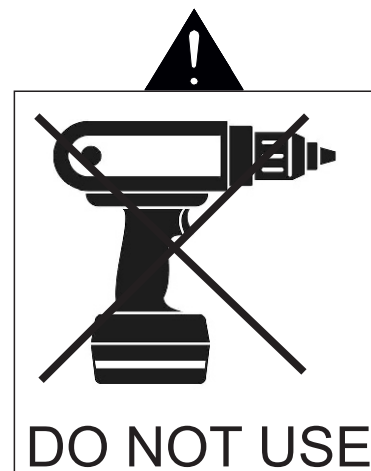
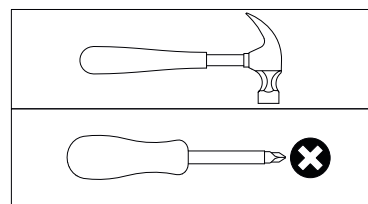
FITTINGS

A	 Ø8 x 30mm	18
B	 Ø3,5 x 30mm	27
C	 Ø3,0 x 30mm	08
D	 4,0 x 40mm	04
E	 8 x 8mm	16
F	 3/16 x 5/8	02
G		02
H		04
I	 Ø6 x 30mm	12
J	 Ø3,5 x 14mm	16
K	 Strap	01
L	 Washer	02
M		01
N		01

O		02
P	 376mm	01

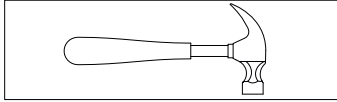


TOOLS REQUIRED



STEP 1

TOOLS REQUIRED

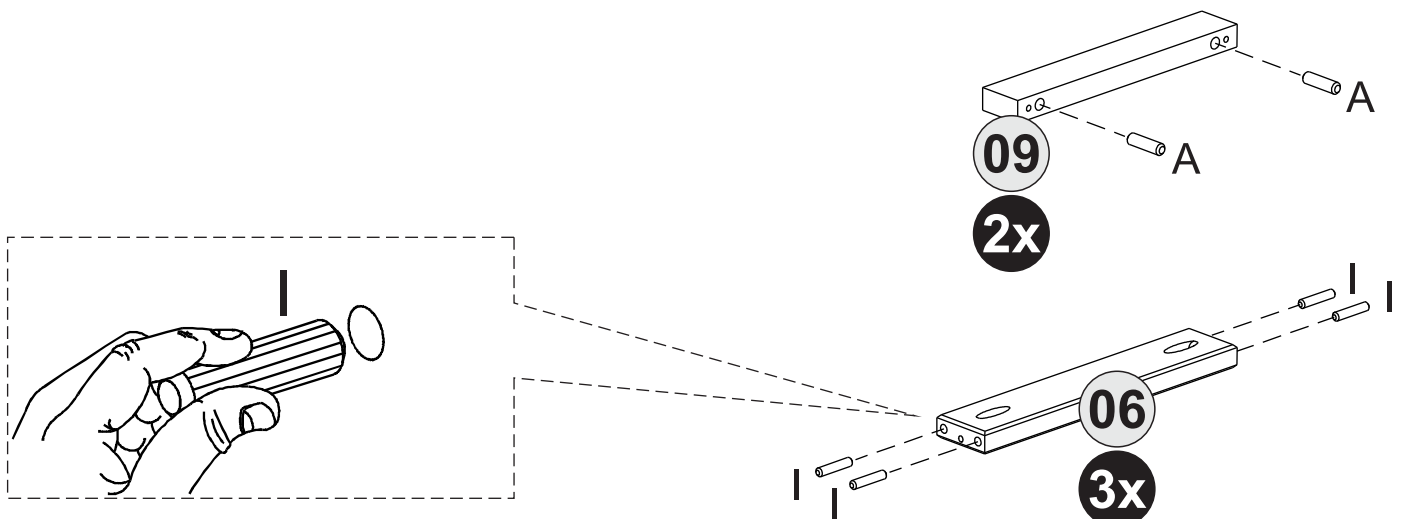
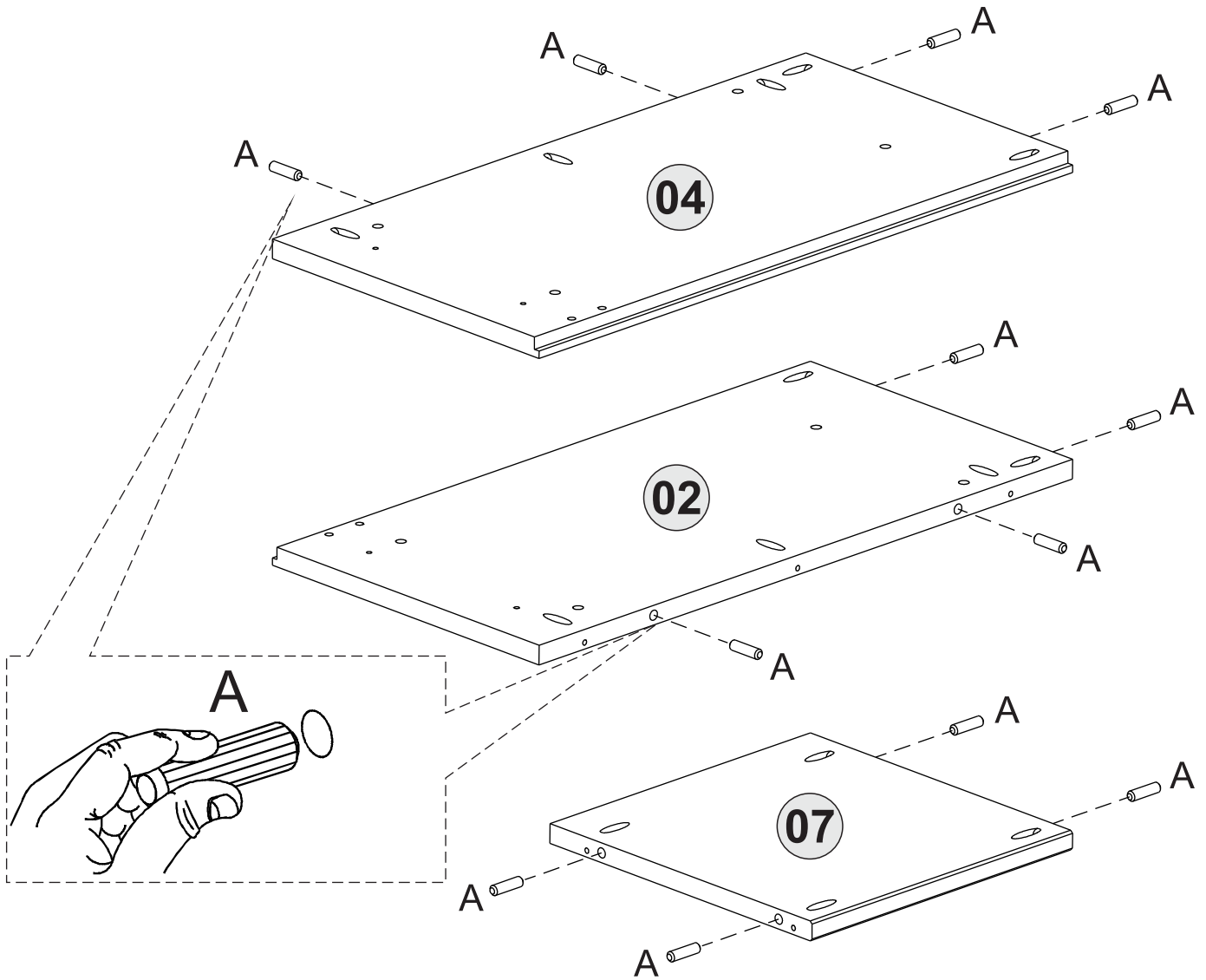


PARTS REQUIRED

02 - RIGHT SIDE PANEL	x1
04 - LEFT SIDE PANEL	x1
06 - FRONT CROSSBEAM	x3
07 - BASE	x1
09 - DRAWER RUNNER	x2

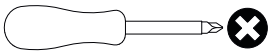
HARDWARE REQUIRED

A		16
		Ø8 x 30mm
I		12
		Ø6 x 30mm



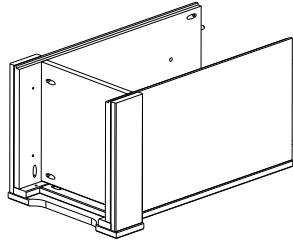
STEP 4

TOOLS REQUIRED

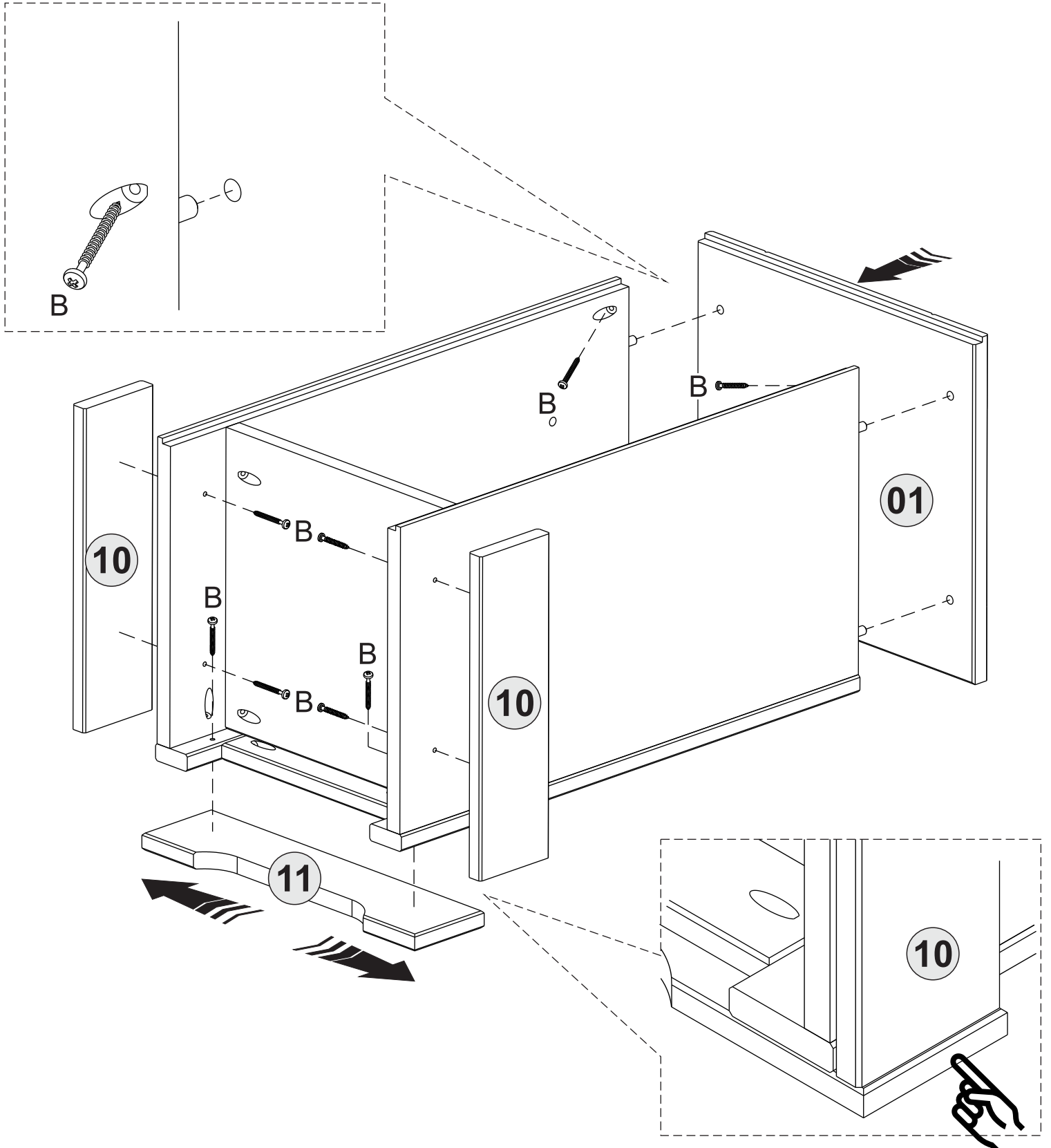
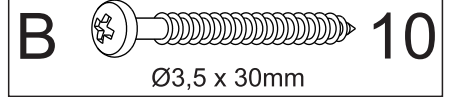


PARTS REQUIRED

1 - TOP PANEL	x1
10 - SIDE FOOT	x2
11 - FRONT FOOT	x1

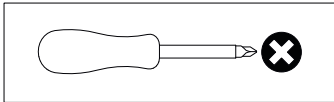


HARDWARE REQUIRED



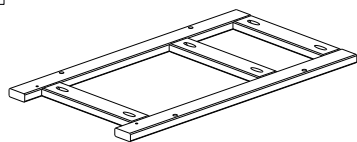
STEP 3

TOOLS REQUIRED

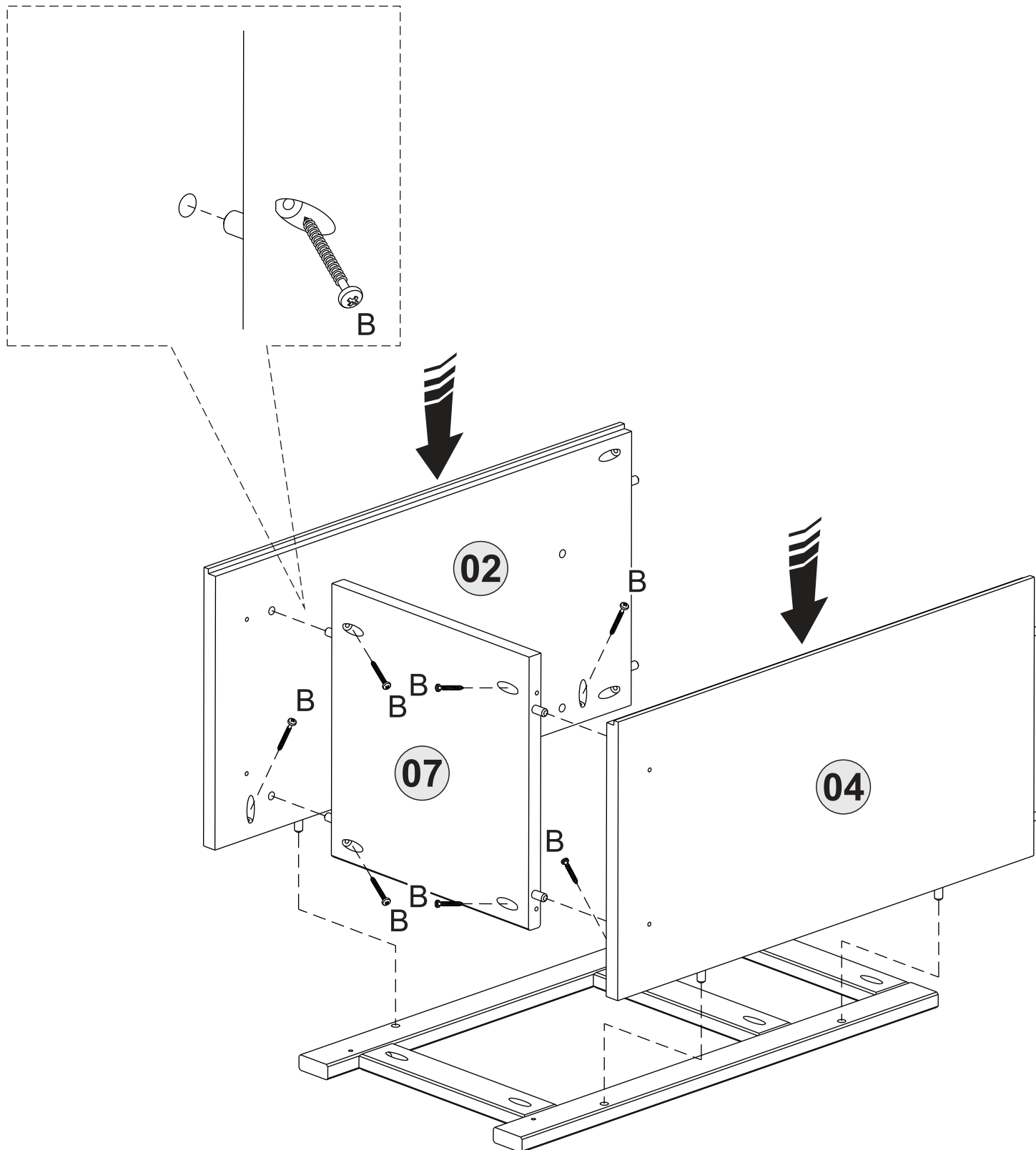
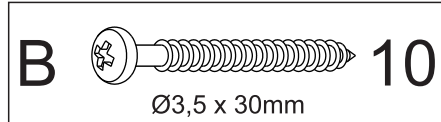


PARTS REQUIRED

- 2 - RIGHT SIDE PANEL x1
- 4 - LEFT SIDE PANEL x1
- 7 - BASE x1

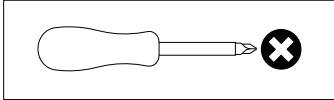


HARDWARE REQUIRED



STEP 2

TOOLS REQUIRED



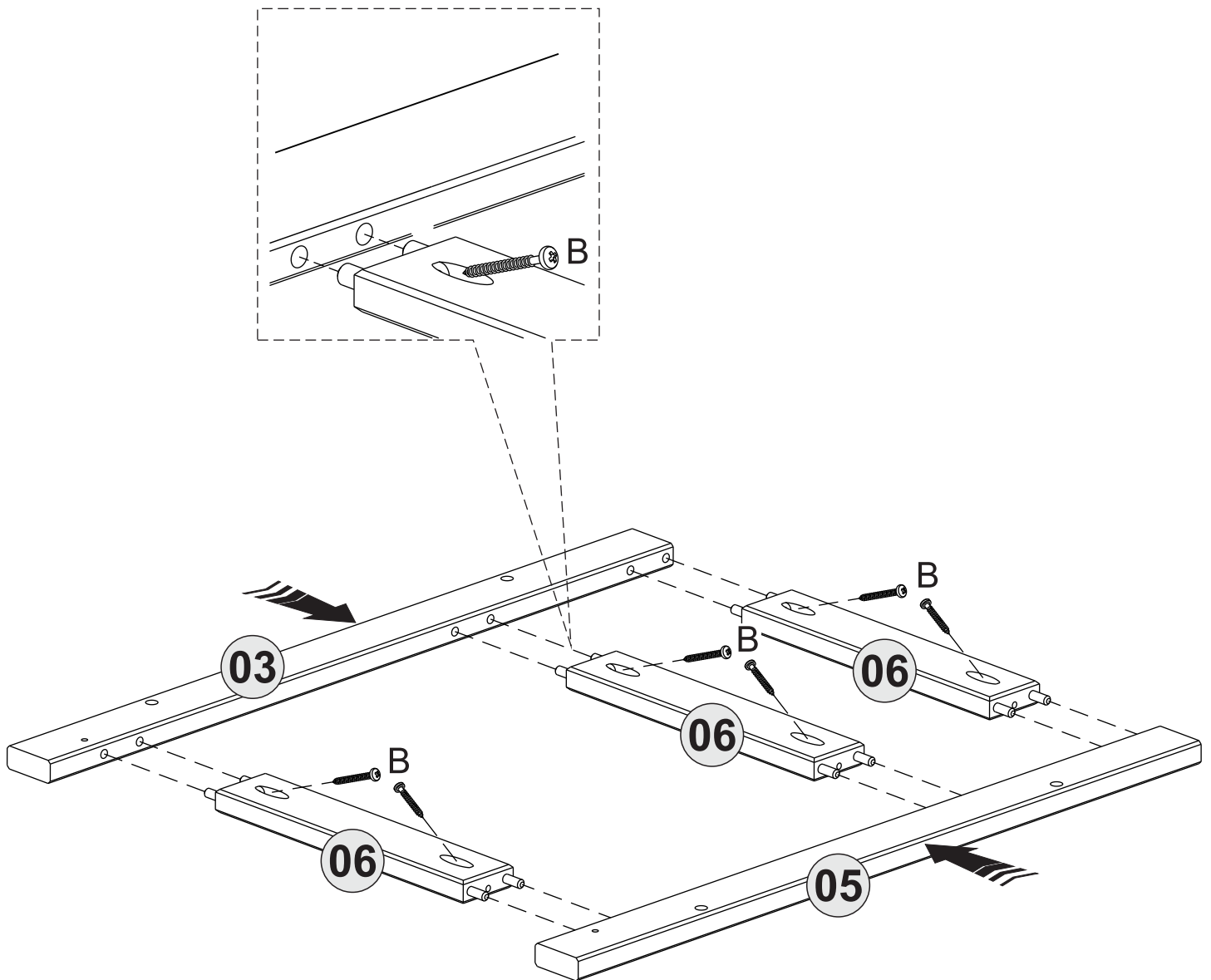
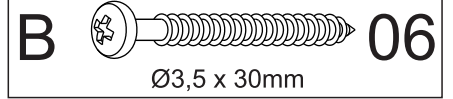
PARTS REQUIRED

3 - RIGHT FRONT UPRIGHT **x1**

5 - LEFT FRONT UPRIGHT **x1**

6 - FRONT CROSSBEAM **x3**

HARDWARE REQUIRED




STEP 5

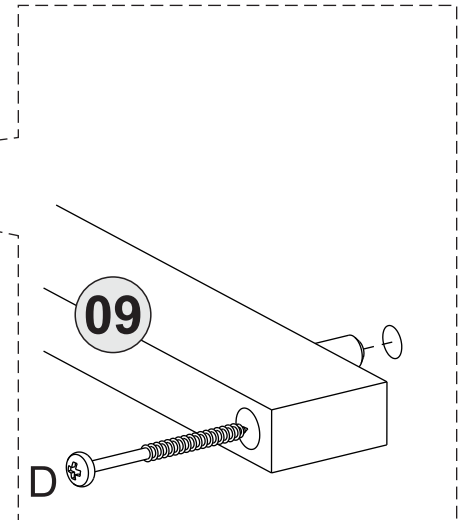
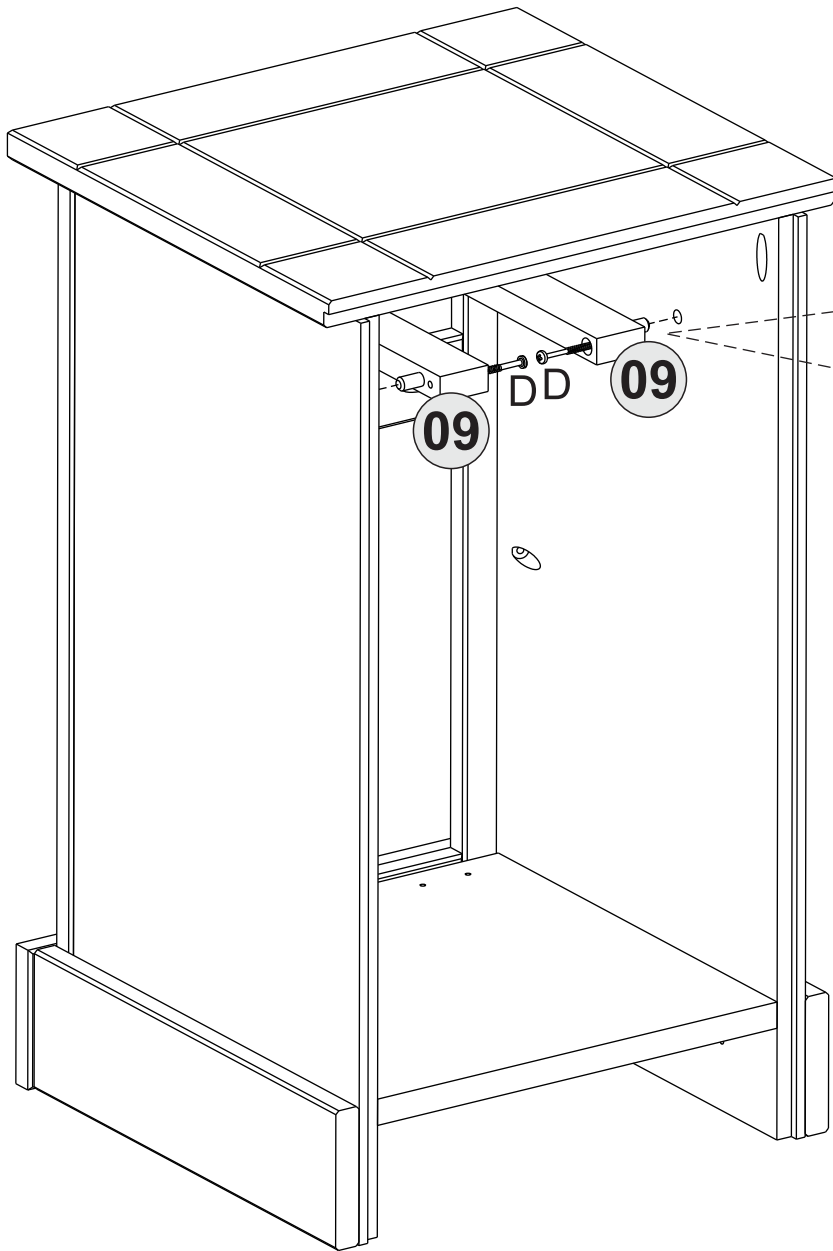
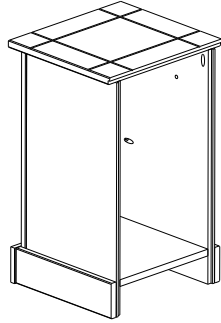
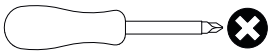
PARTS REQUIRED

9 - DRAWER RUNNER **x2**

HARDWARE REQUIRED

D  **04**
4,0 x 40mm

TOOLS REQUIRED




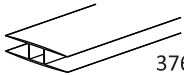
STEP 6

PARTS REQUIRED

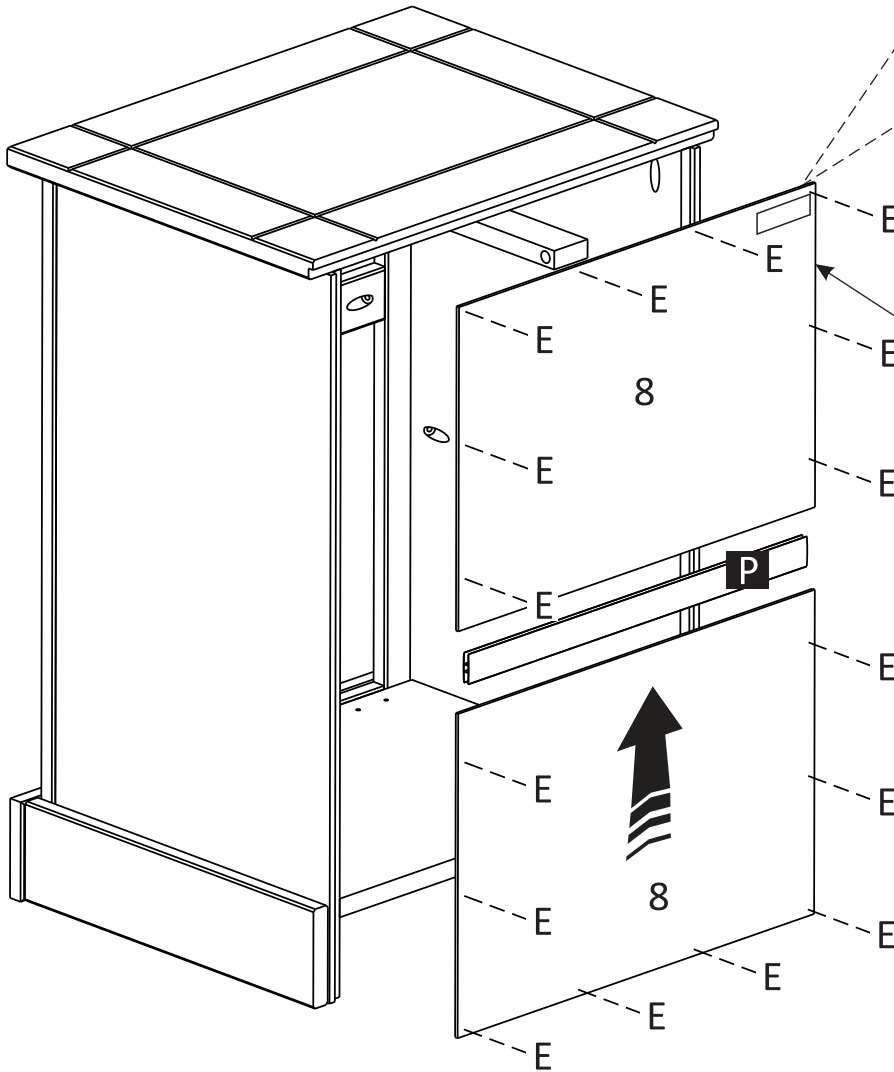
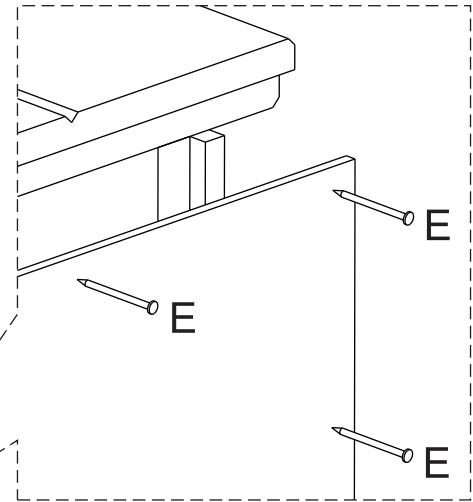
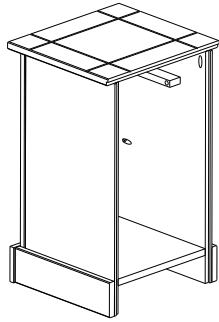
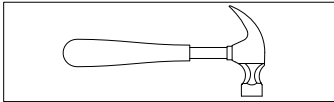
8 - BACK PANEL **x1**

HARDWARE REQUIRED

E  **16**
8 x 8mm

P  **01**
376mm

TOOLS REQUIRED



* For your future reference
Order Number should be here


STEP 7

PARTS REQUIRED

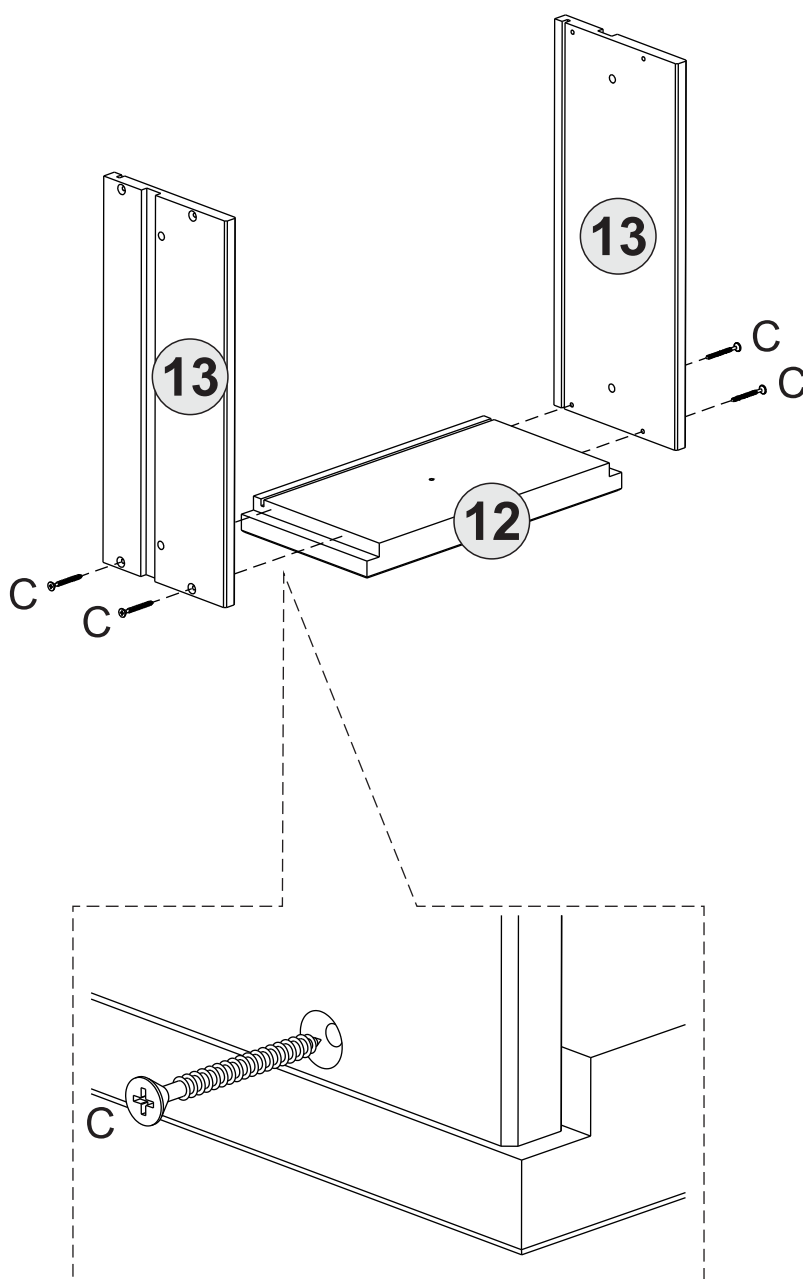
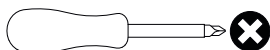
12 - DRAWER FRONT **x1**

13 - DRAWER SIDE **x2**

HARDWARE REQUIRED

C  **04**
Ø3,0 x 30mm

TOOLS REQUIRED

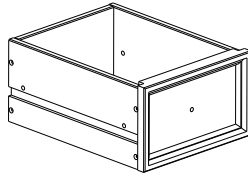
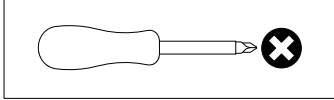


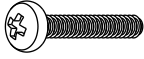
STEP 9

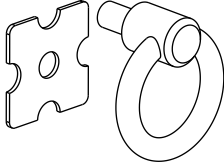
PARTS REQUIRED

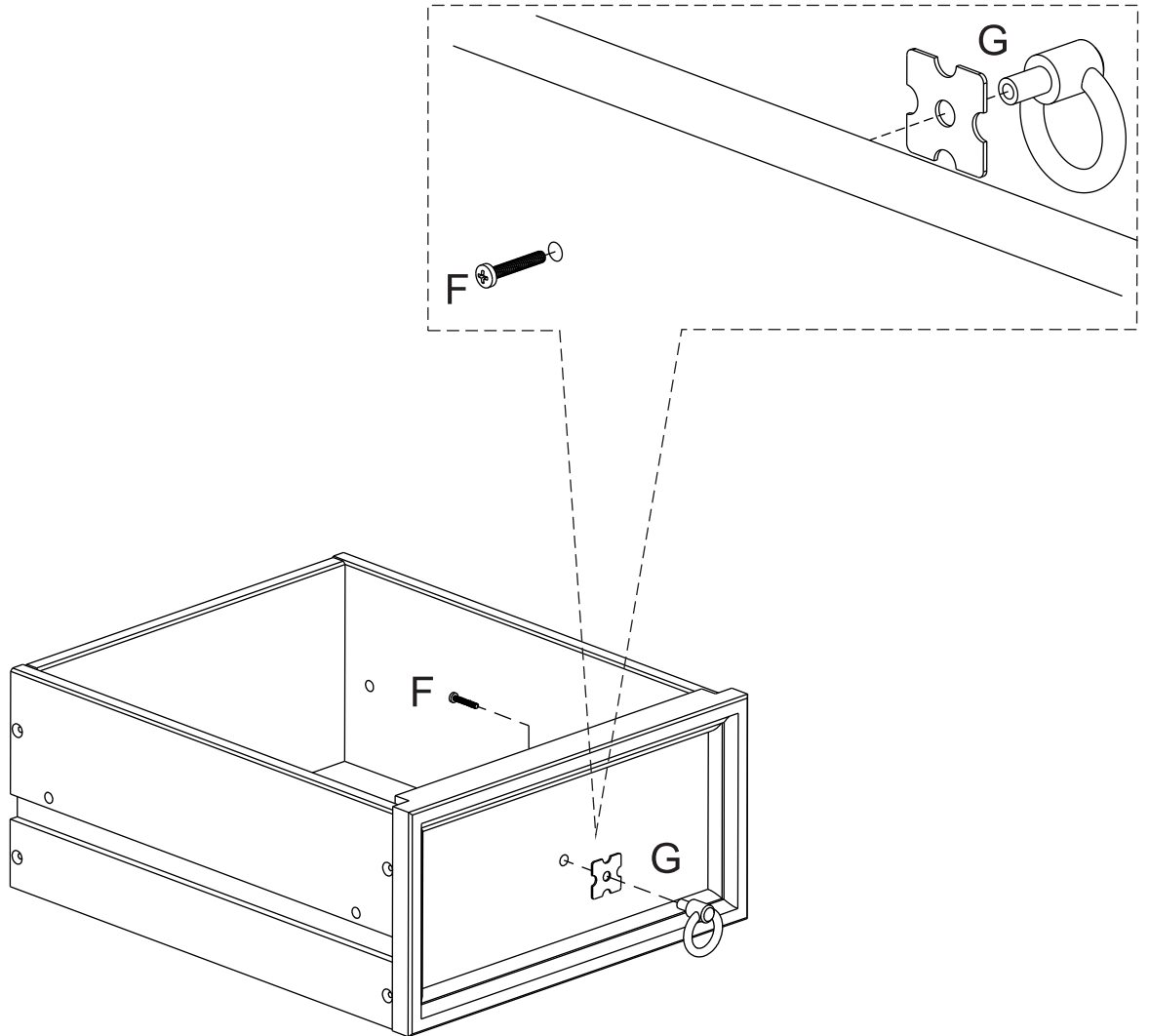
HARDWARE REQUIRED

TOOLS REQUIRED



F		01
	3/16 x 5/8	

G		01
----------	---	-----------




STEP 8

PARTS REQUIRED

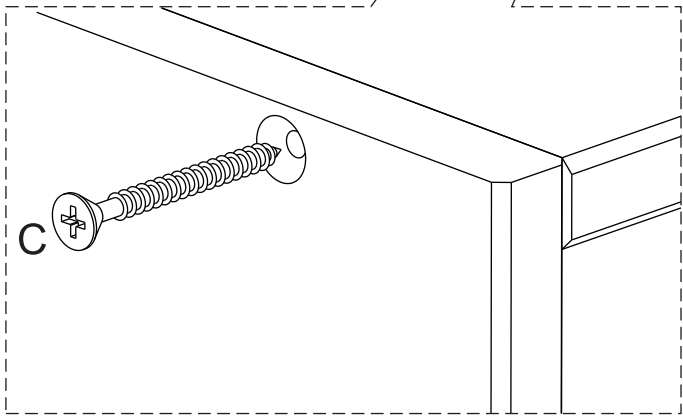
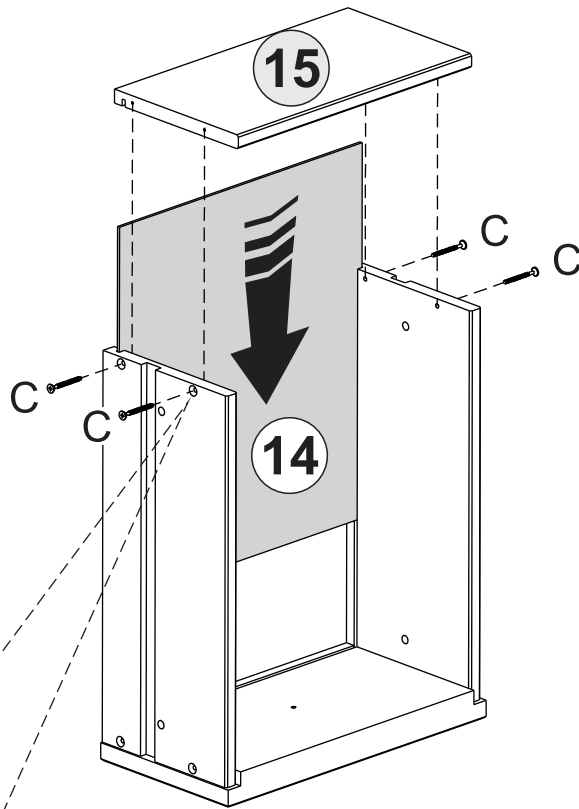
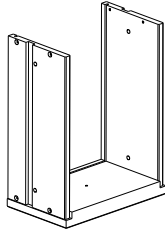
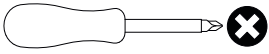
14 - DRAWER BOTTOM **x1**

15 - DRAWER BACK **x1**

HARDWARE REQUIRED

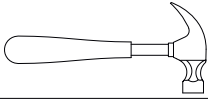
C  **04**
Ø3,0 x 30mm

TOOLS REQUIRED

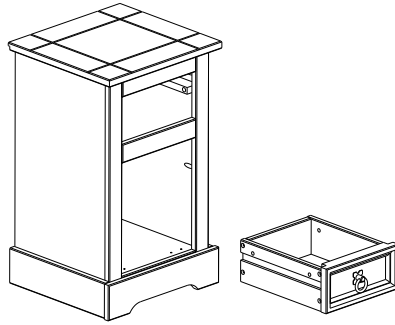


STEP 10

TOOLS REQUIRED



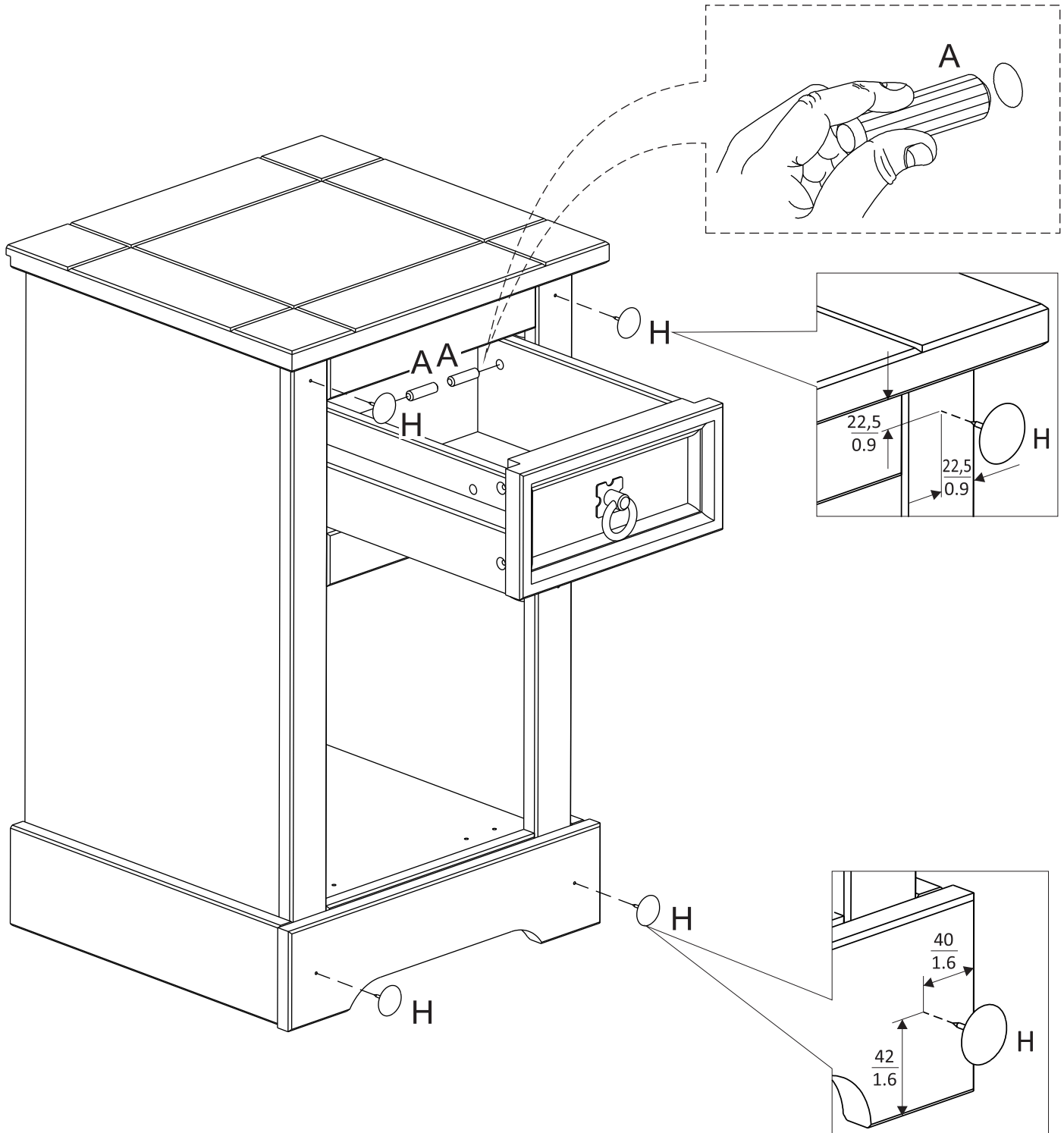
PARTS REQUIRED



HARDWARE REQUIRED

A **02**
Ø8 x 30mm

H **04**



STEP 11

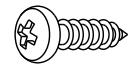
PARTS REQUIRED

16 - DOOR

x1

HARDWARE REQUIRED

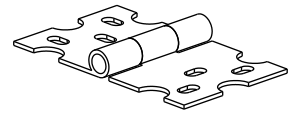
J



Ø3,5 x 14mm

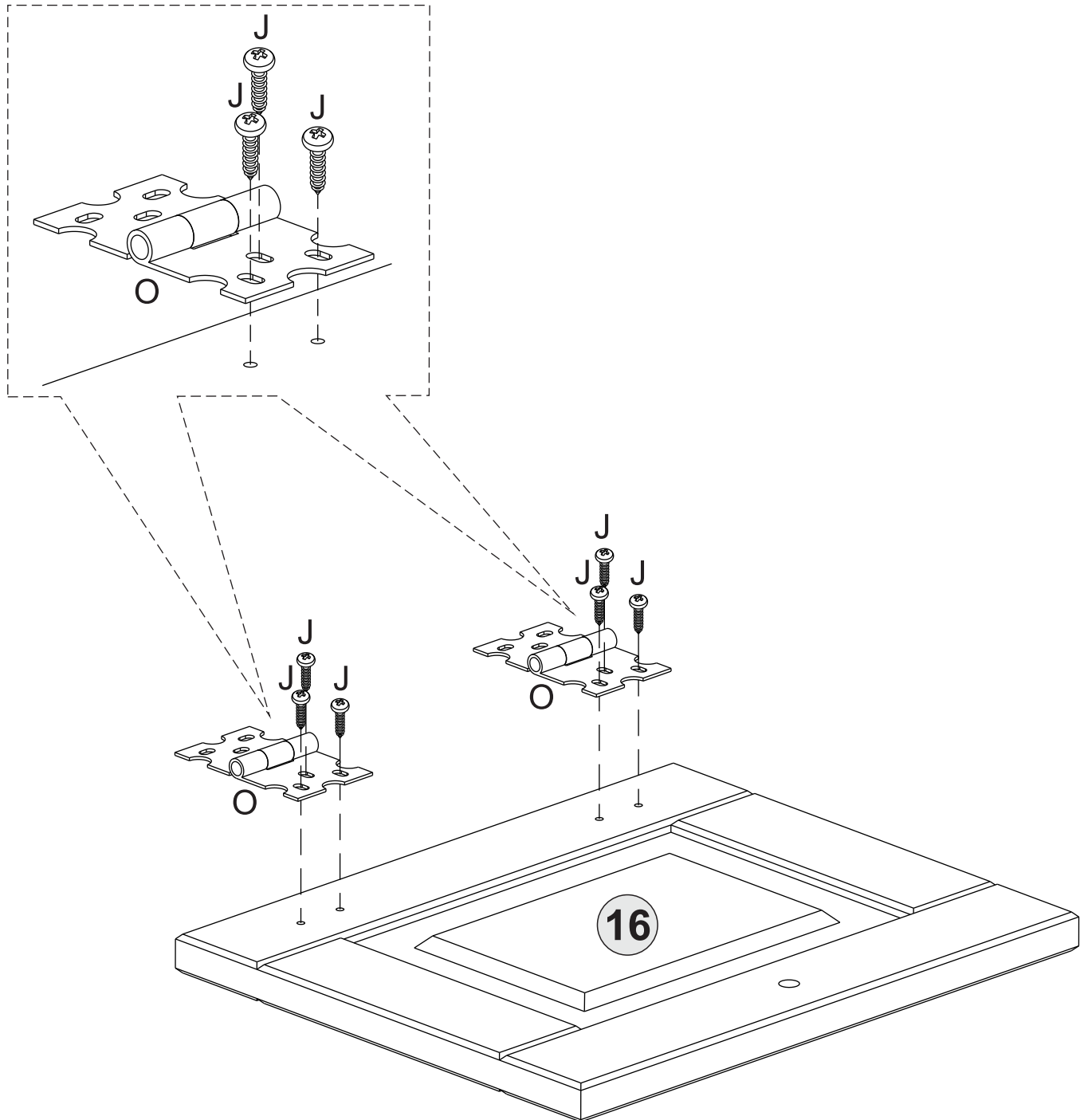
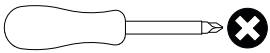
06

O



02

TOOLS REQUIRED

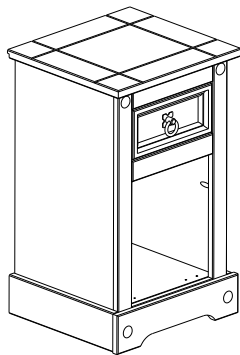


STEP 12

TOOLS REQUIRED

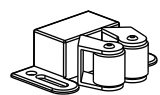


PARTS REQUIRED

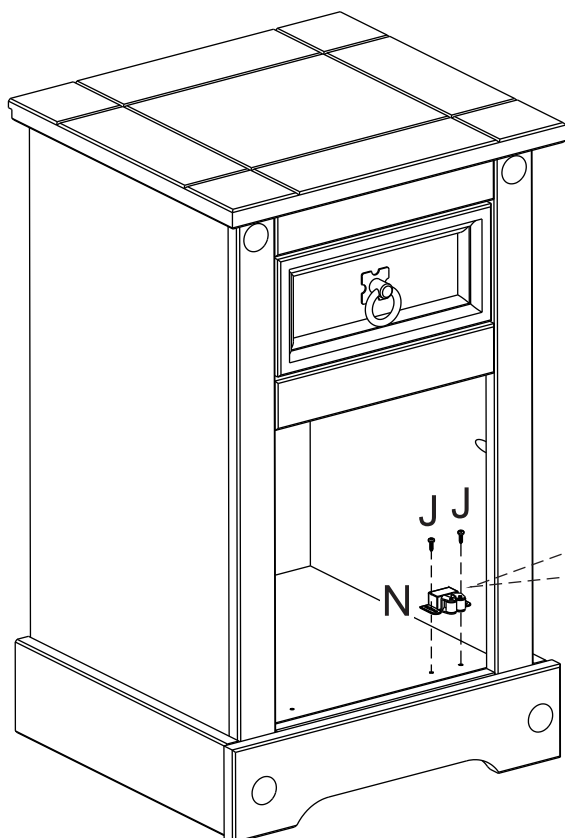
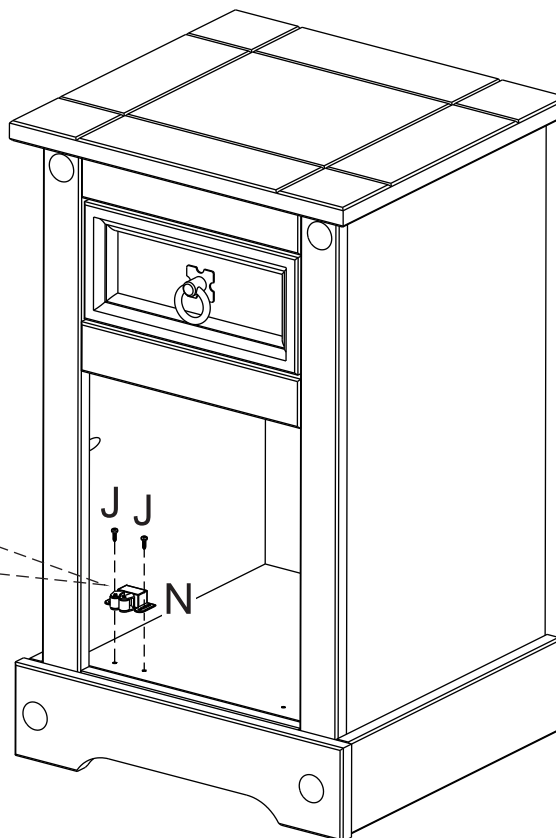
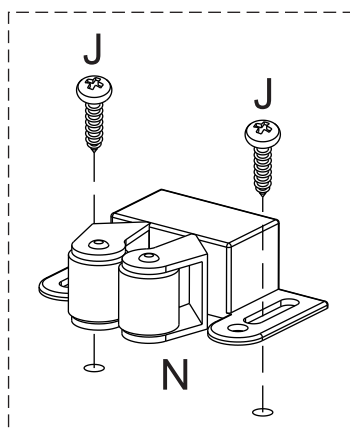


HARDWARE REQUIRED

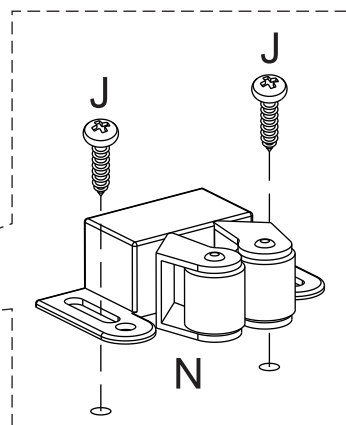
J  02
Ø3,5 x 14mm

N  01

OPTION FOR RIGHT SIDE DOOR



OPTION FOR LEFT SIDE DOOR

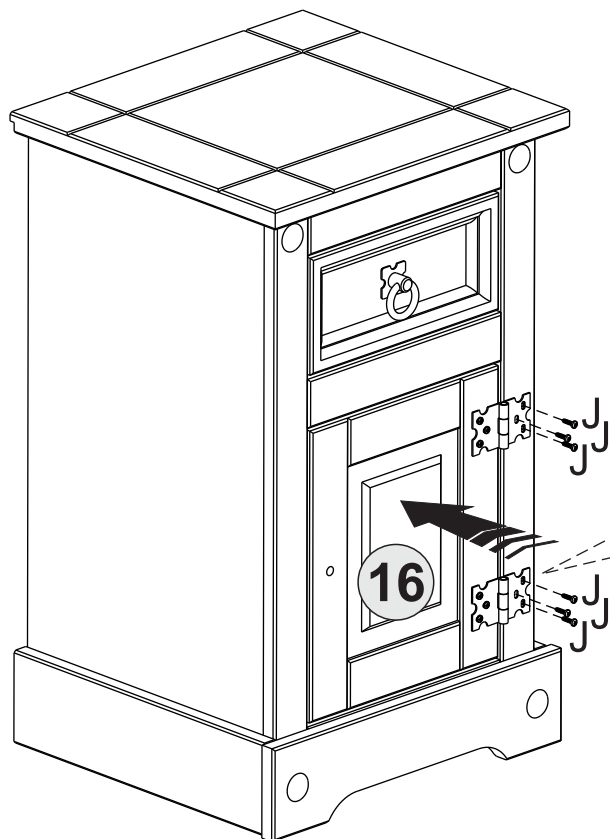
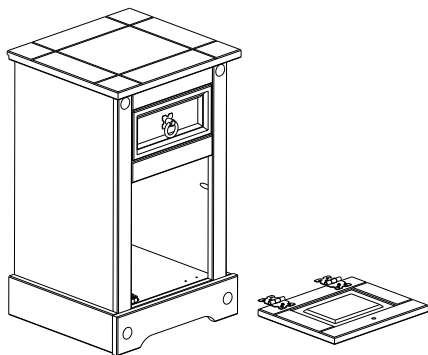
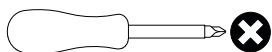


STEP 13

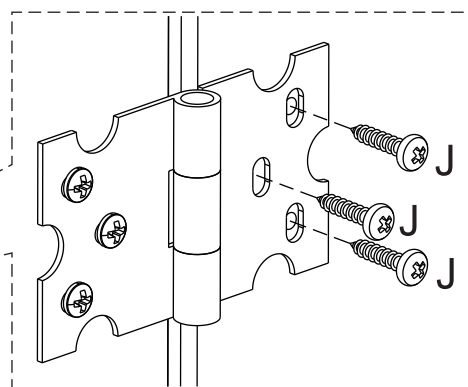
PARTS REQUIRED

HARDWARE REQUIRED

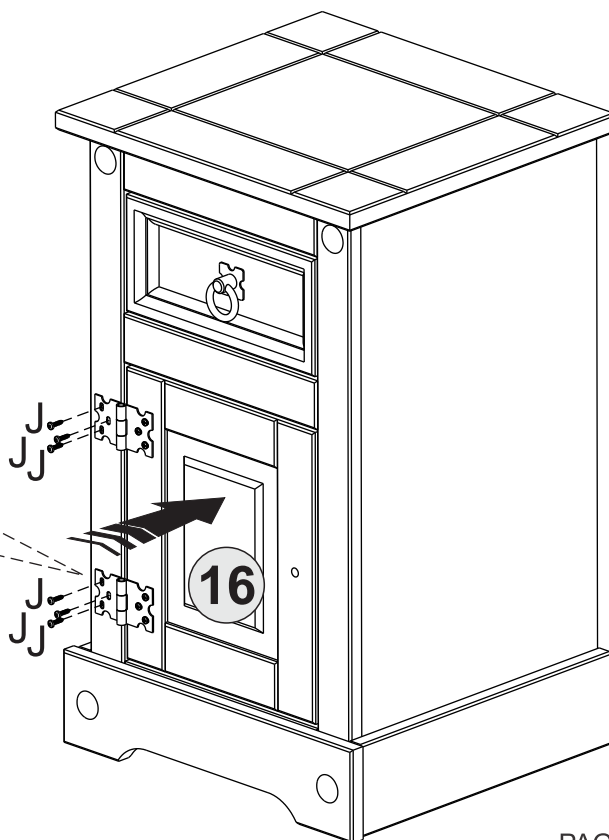
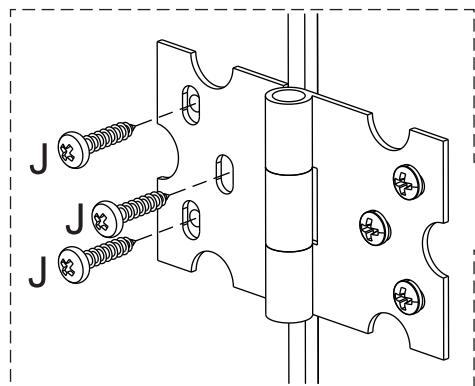
TOOLS REQUIRED



OPTION FOR RIGHT SIDE DOOR

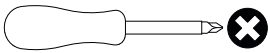


OPTION FOR LEFT SIDE DOOR

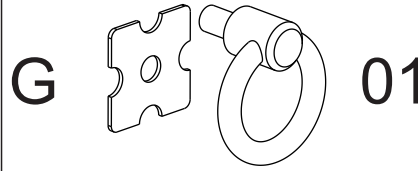
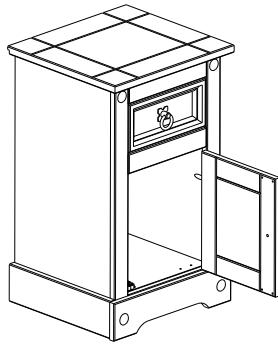


STEP 14

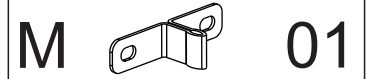
TOOLS REQUIRED



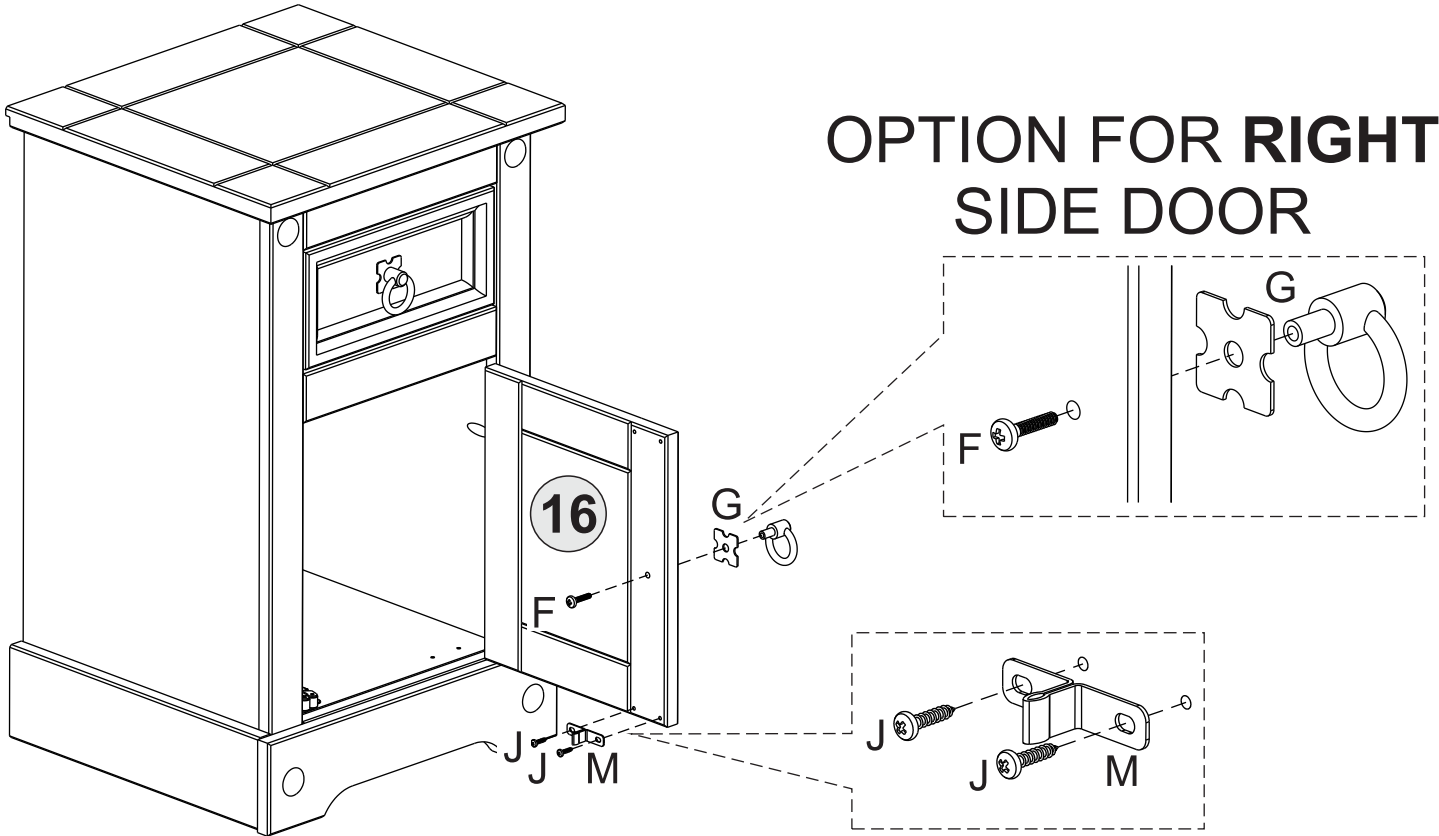
PARTS REQUIRED



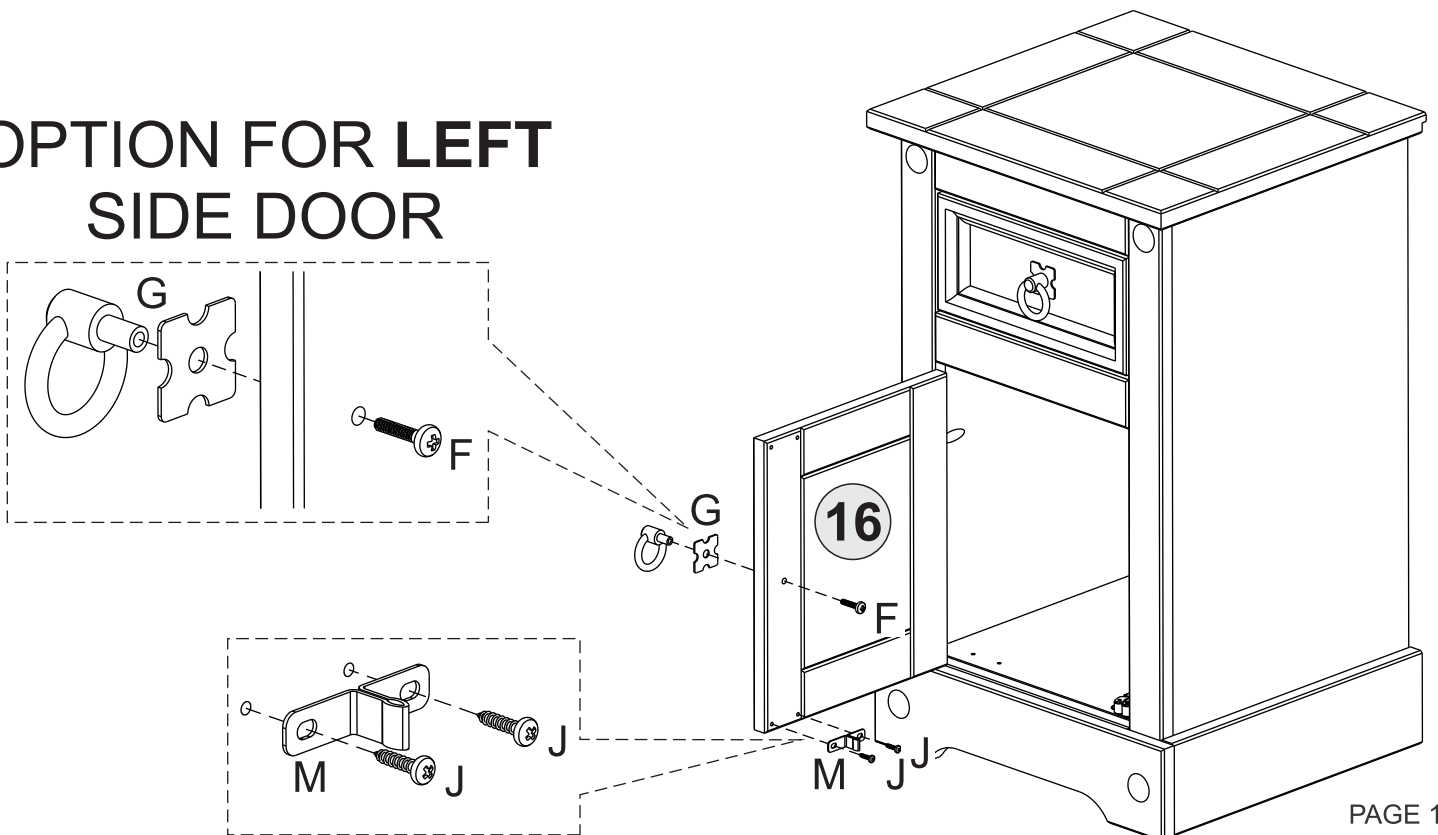
HARDWARE REQUIRED



OPTION FOR RIGHT SIDE DOOR



OPTION FOR LEFT SIDE DOOR

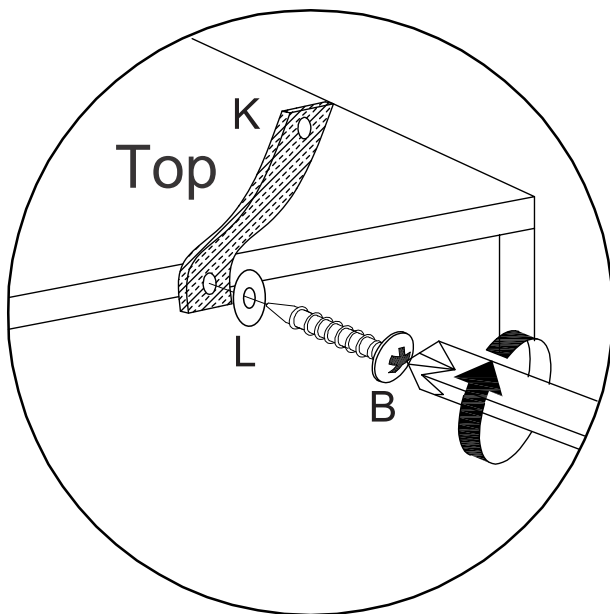




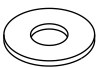
WARNING

Serious or fatal injuries can occur from furniture tipping over. To prevent the furniture from tipping over we recommend that it is permanently fixed to the wall.

Wall fixings are not supplied with this product as different wall materials require different types of fixing devices.

Please make sure you use fixings suitable for the walls in your home.



B		01
Ø3,5 x 30mm		
K		01
Strap		
L		01
Washer		

