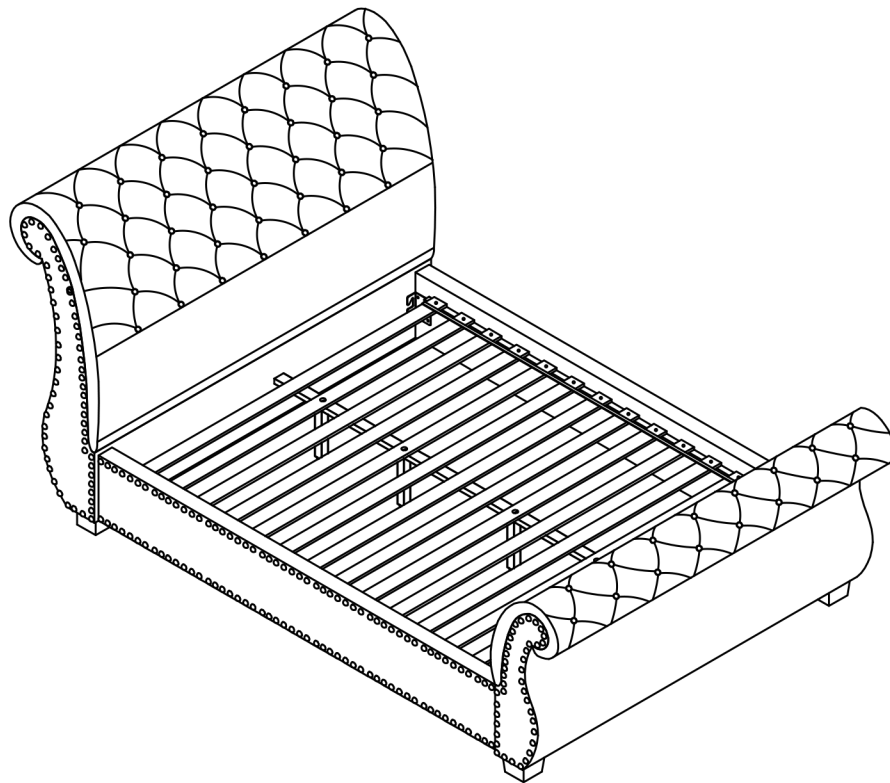


# Assembly Instructions



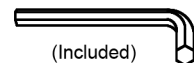
## ASSEMBLY RATING

The Assembly Rating is a 5-point system that shows the degree of effort needed in assembling a specific product (with 1 being easy and 5 being difficult). For some products, two persons are recommended.

EASY  DIFFICULT

## Tools Required For Assembly:

Allen Wrench



(Included)

Phillips Screwdriver



(Not Included)

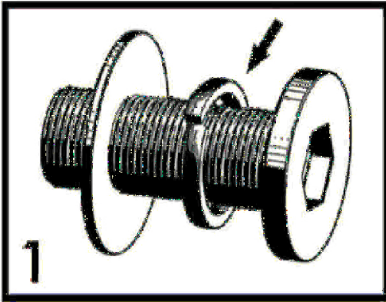


2 PERSONS RECOMMENDED

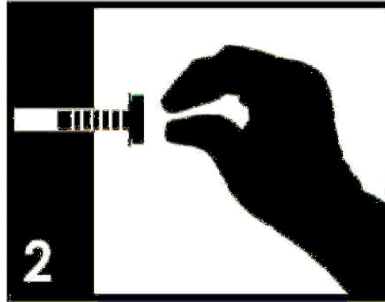
# ASSEMBLY & CARE ADVICE

FOR YOUR FURNITURE TO LAST, CORRECT ASSEMBLY AND PROPER MAINTENANCE ARE NECESSARY. PLEASE FOLLOW THE INFORMATION PROVIDED BELOW TO FULLY ENJOY YOUR FURNITURE.

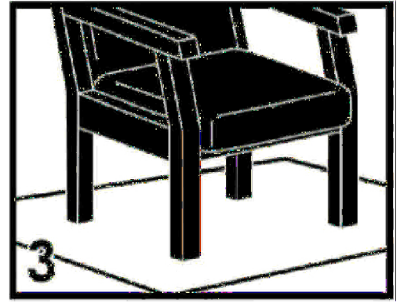
## BASIC ASSEMBLY TECHNIQUES



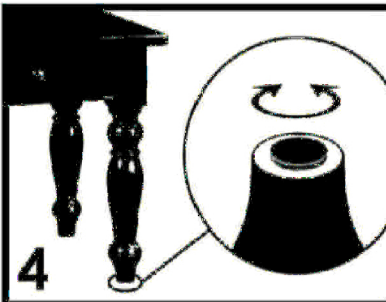
1  
When lock or spring washer is used in an assembly, please make sure the lock or spring washer is placed between the larger flat washer and the head of the screw or bolt.



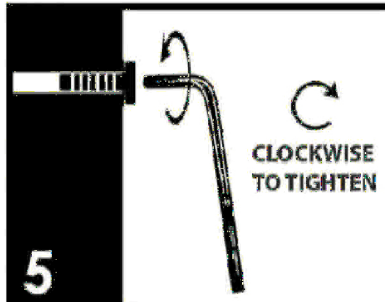
2  
Position each part correctly and insert screws or bolts into their respective holes by hand tighten or using the proper hand tool. Only tighten when step is completed or when instructed to do so.



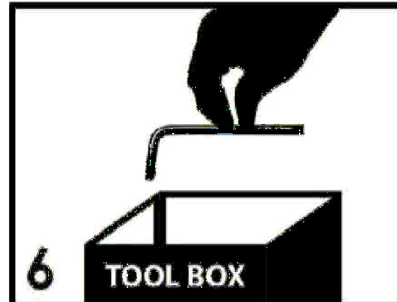
3  
Use cardboard or carpet area when assembling furniture to prevent scratches. Make sure the furniture rests on a flat and level surface with each leg evenly touching the floor. No dragging of products/parts.



4  
Some furniture comes with height adjustment knobs underneath each leg. To lower or to raise each leg, you need to turn clockwise or counterclockwise, respectively.



5  
Make sure all parts are properly aligned, then use the appropriate hand tool to completely tighten the bolts or screws. Do not use power tools and do not overtighten.

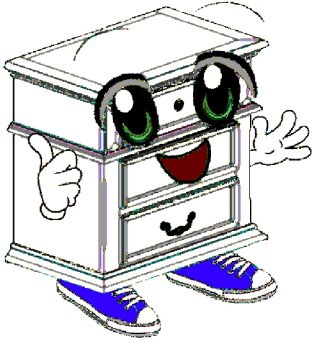


6  
Save the instructions and store the Allen wrench or any supplied tool for later maintenance. After two weeks, check and tighten any loose hardware and repeat again every six months thereafter.

IT IS THE USER'S RESPONSIBILITY TO MAINTAIN THE FURNITURE. THE HARDWARE MAY LOOSEN OVER TIME AND MAY CAUSE THE FURNITURE TO BE WOBBLY AND UNABLE TO SUPPORT ITS INTENDED WEIGHT CAPACITY. THIS MAY LEAD TO COLLAPSE AND MAY CAUSE SERIOUS INJURY.



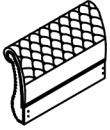
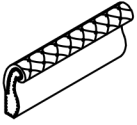


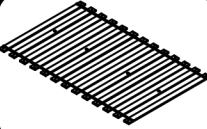
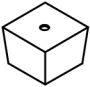

FAILURE TO FOLLOW THE GUIDELINES ABOVE MAY RESULT IN INJURY AND/OR PROPERTY DAMAGE.



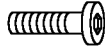





Before you begin, please read Page 2 of "Assembly and Care Advice".

And remember, do not tighten until each step is completed or instructed.

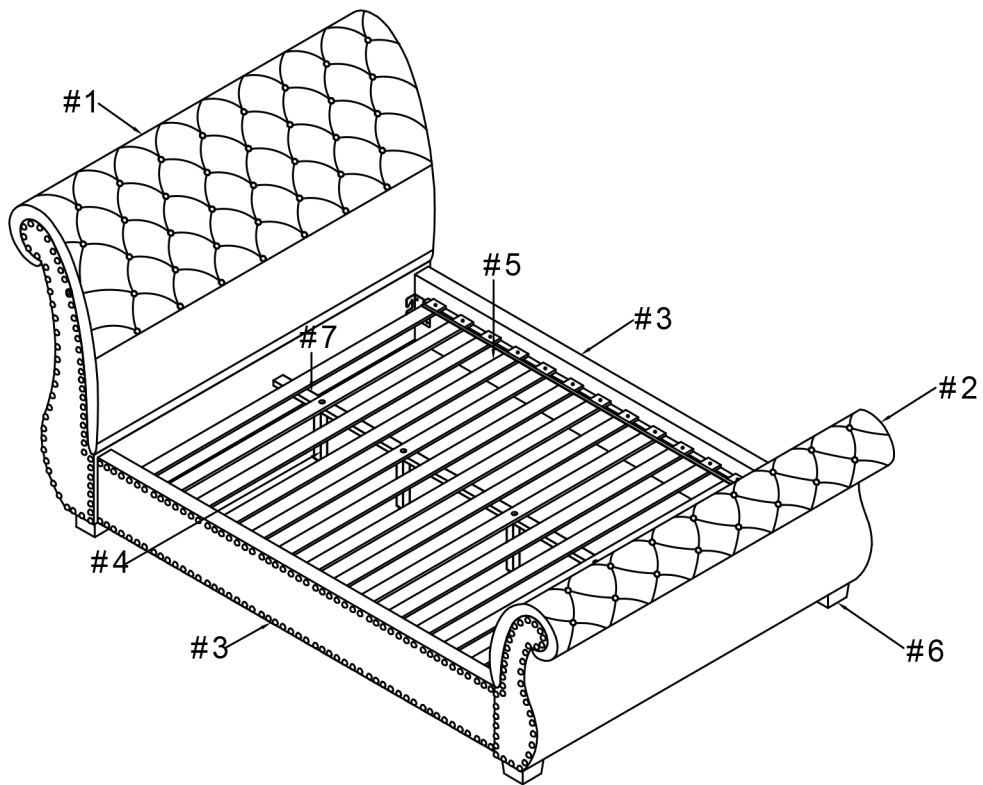
### Parts List

-  #1 x 1pc  
Headboard
-  #2 x 1pc  
Footboard
-  #3 x 2pcs  
Side Rail
-  #4 x 4pcs Ø5/16"  
Support Leg 30x30x270mm
-  #5 x 1set  
Slat (13pcs)
-  #6 x 4pcs  
HB/FB Foot
-  #7 x 1pc  
Support Rail

### Hardware List

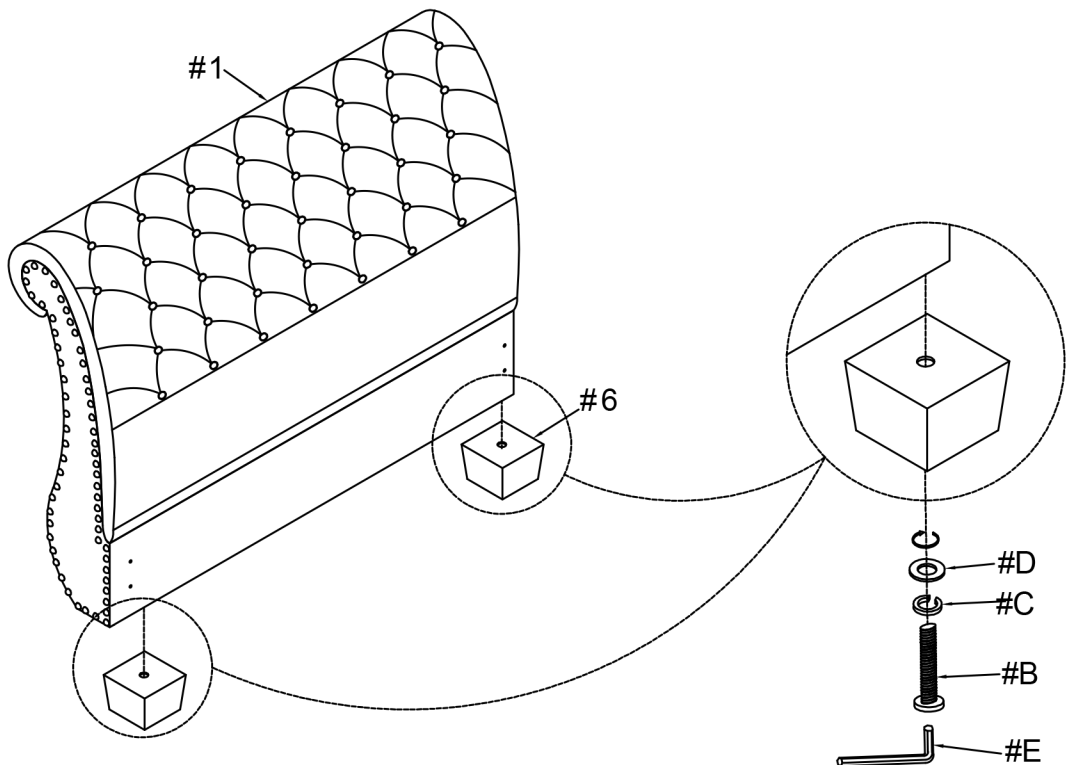
-  #A x 8pcs  
Bolt Ø5/16" x 1-1/2"
-  #B x 4pcs  
Bolt Ø5/16" x 2-1/2"
-  #C x 12pcs  
Lock Washer Ø5/16"
-  #D x 12pcs  
Flat Washer Ø5/16"
-  #E x 1pc  
Allen Wrench 5mm
-  #F x 26pcs  
Screw #8 x 38mm

# Exploded View



Align feet (#6) onto the headboard (#1), then secure by using bolts (#B) with washers (#C,D).

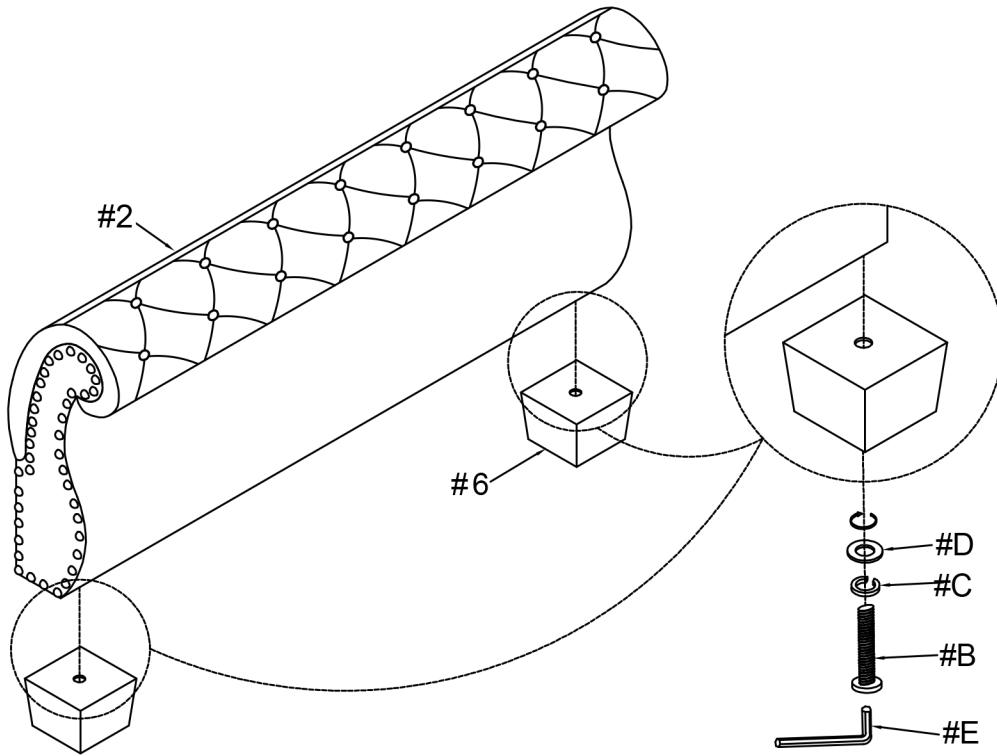
#B x 2pcs  
#C x 2pcs  
#D x 2pcs





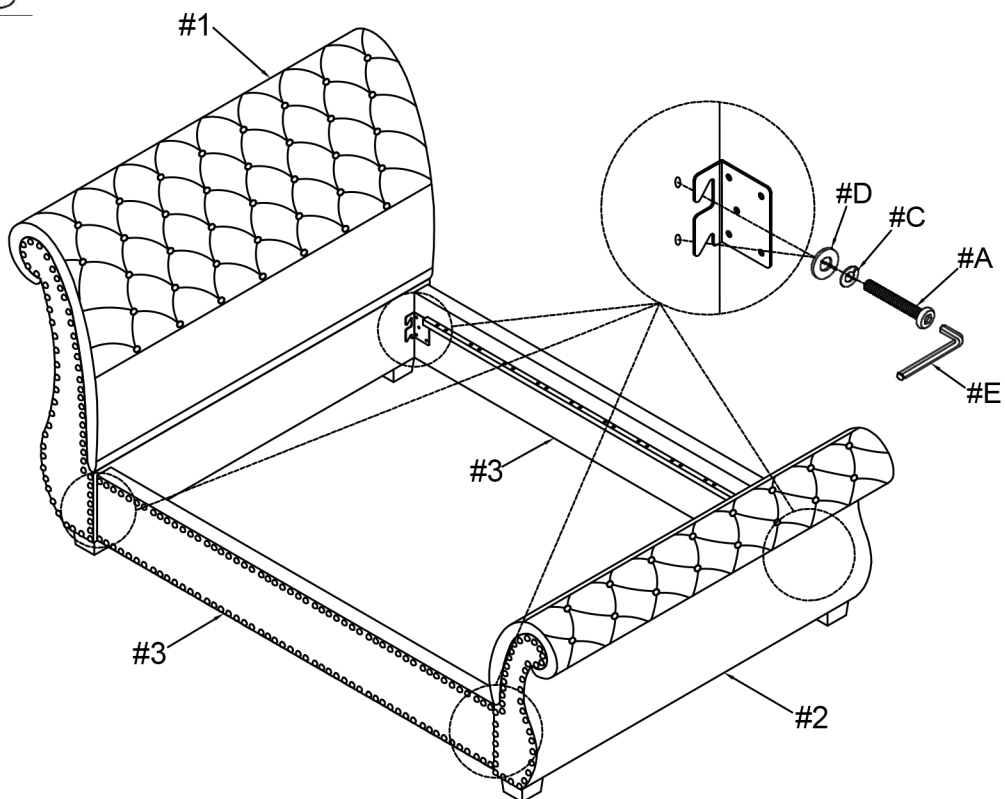
Align feet (#6) onto the footboard (#2), then secure by using bolts (#B) with washers (#C,D).

- #B x 2pcs
- #C x 2pcs
- #D x 2pcs



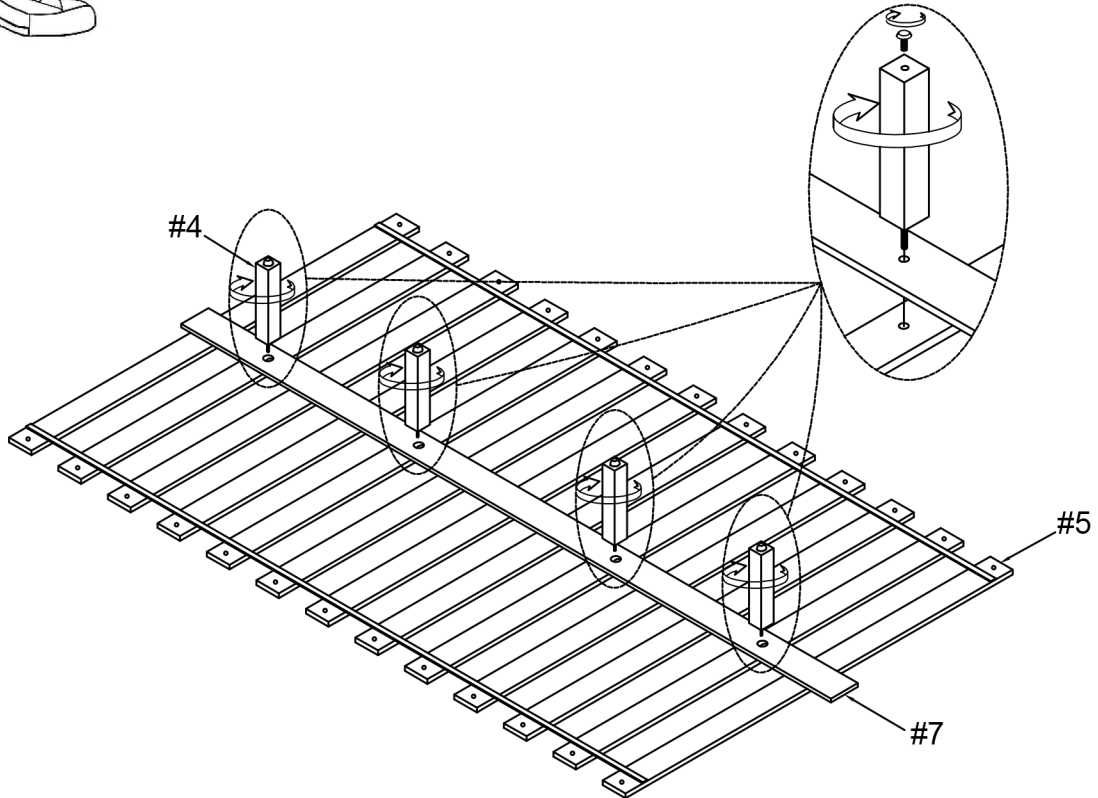
Align side rails (#3) to the headboard (#1) and footboard (#2), then secure by using bolts (#A) with washers (#C,D).

- #A x 8pcs
- #C x 8pcs
- #D x 8pcs





Align center slat (#7) to slats (#5), then secure by using support legs (#4).  
Adjust the levelers on the support legs (#4) according to ground level.



Align slats (#5) to the side rails (#3), then secure by using screws (#F).

#F x 26pcs

