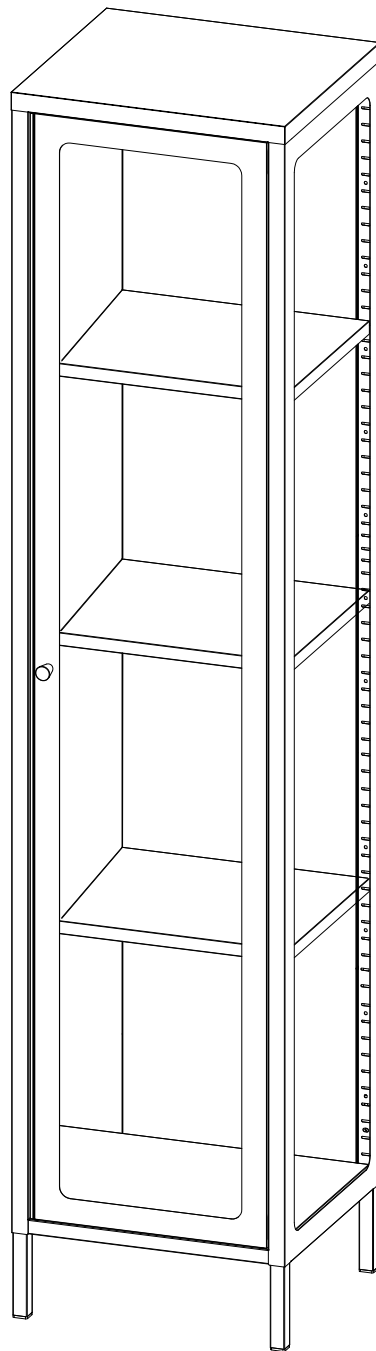
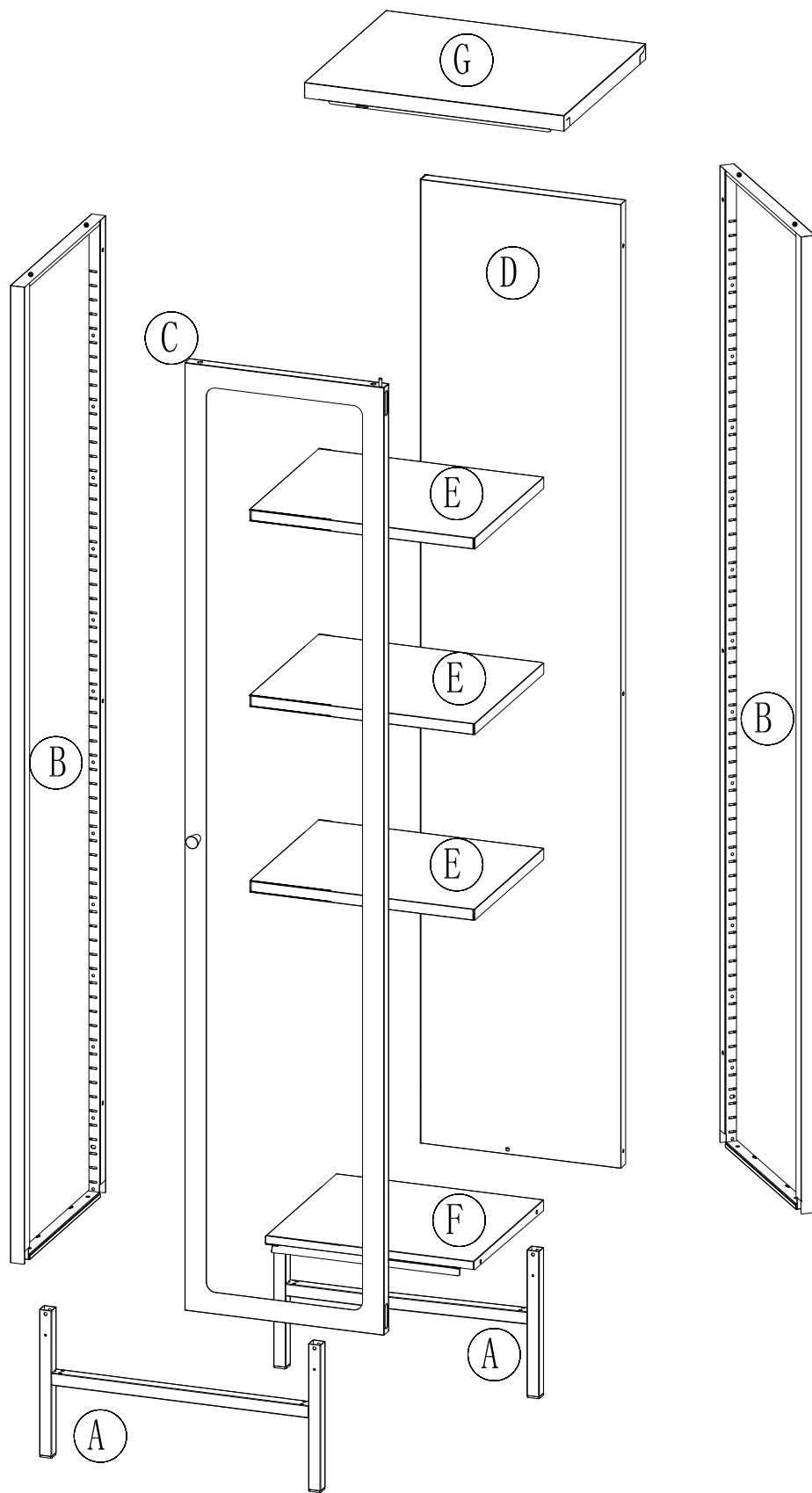


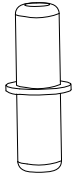
Metal Glass Display Cabinet Assembly Manual





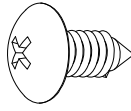
Accessories List

1



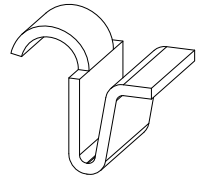
Bolts × 1

2



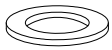
Screws × 32

3



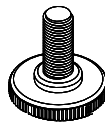
Holders × 12

4



Plastic Rings×2

5



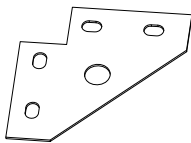
Adjustable Feet×4

6



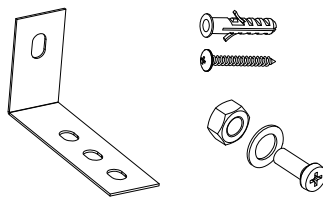
Puller handle, Screws×1

7



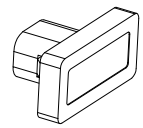
Triangles×4

8



L-type
anti tilt films ×1

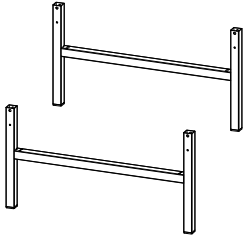
9



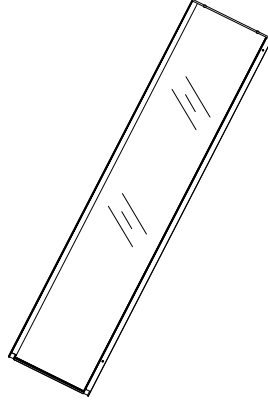
Magnetic
attractions×2

Parts List

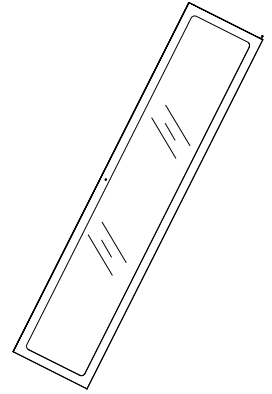
(A) Legs x 2



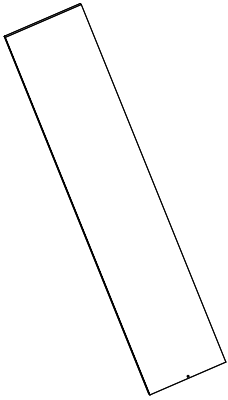
(B) Side panel, left x 2



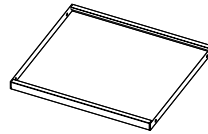
(C) Door x 1



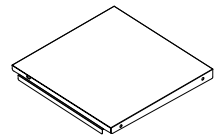
(D) Back panel x 1



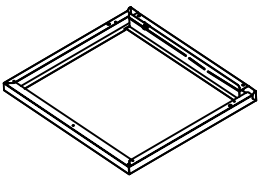
(E) Shelves x 3



(F) Bottom panel x 1



(G) Top cover panel x 1



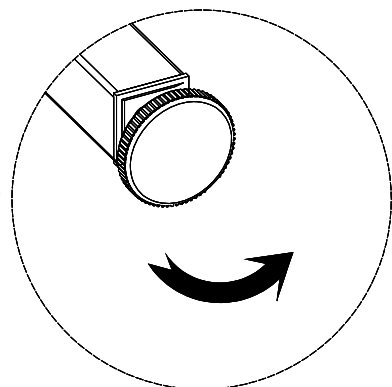
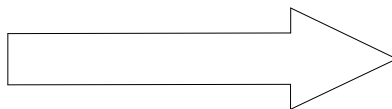
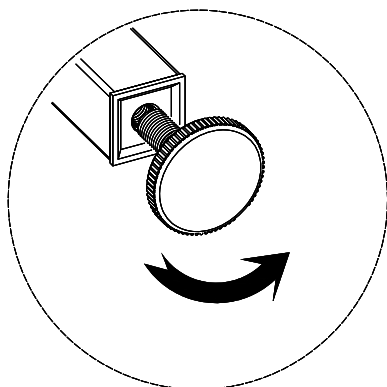
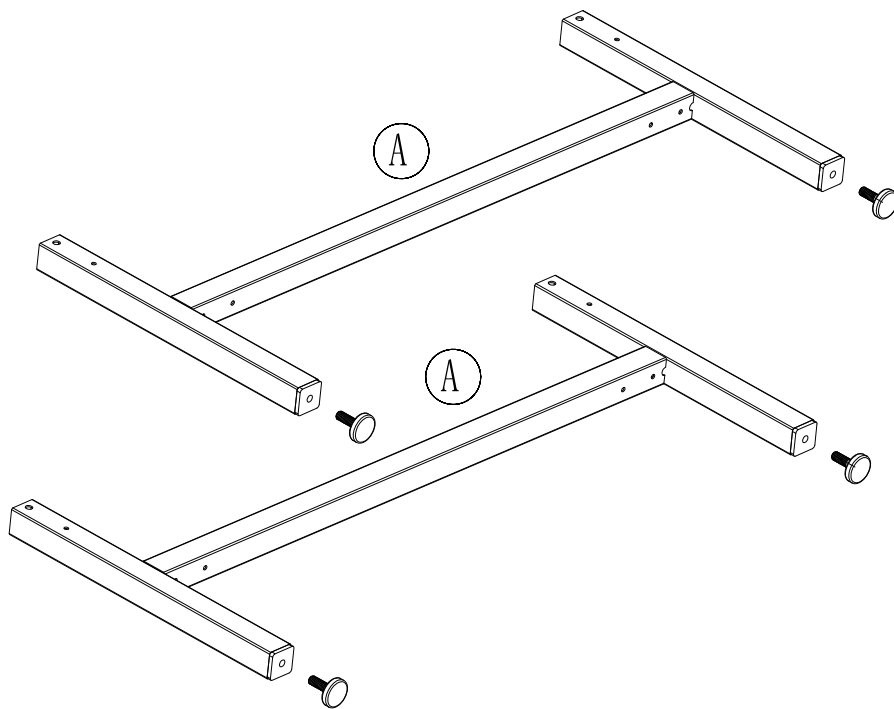
Step 1

Install the adjustable feet on the leg A

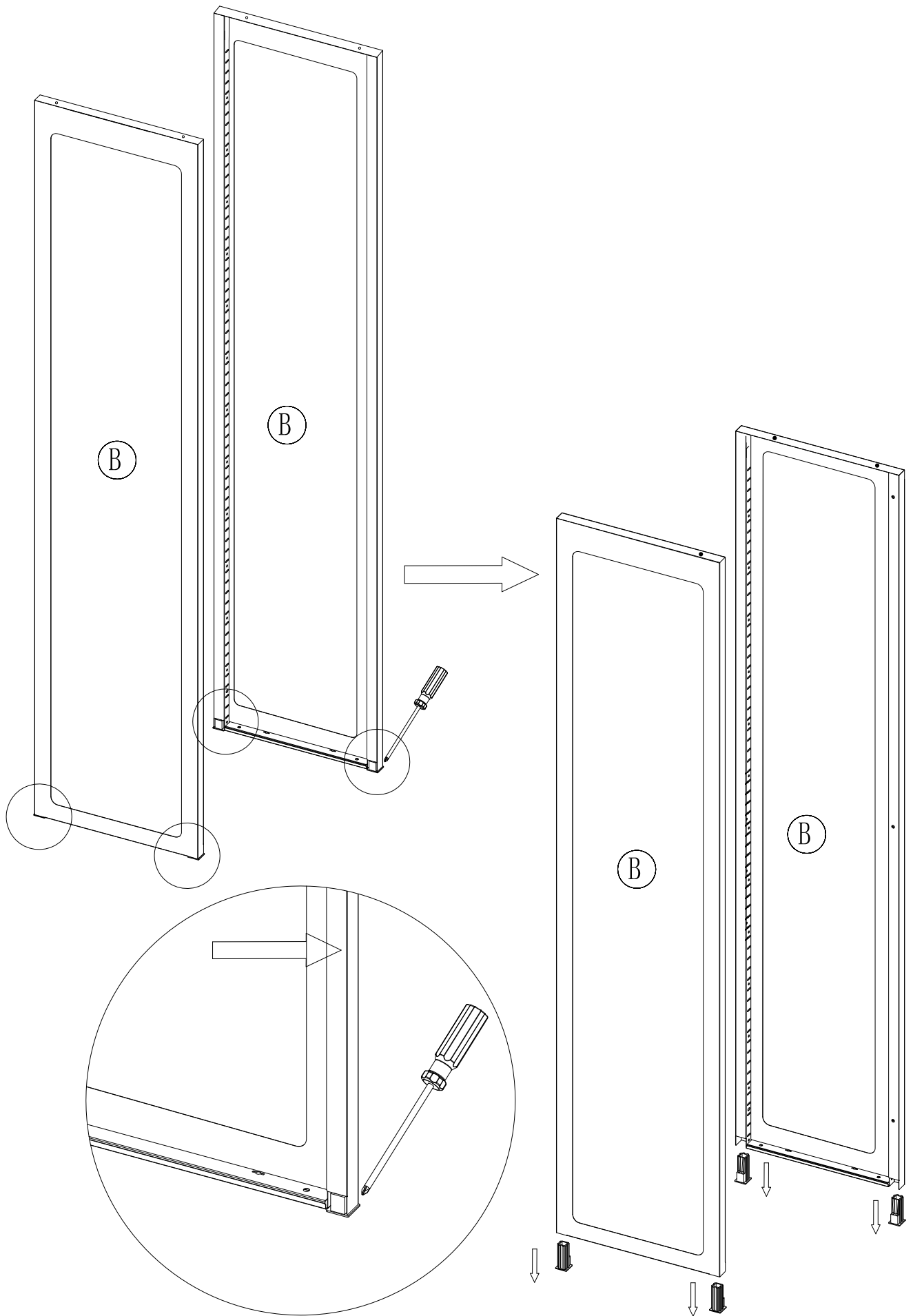
5



Adjustable Feets×4

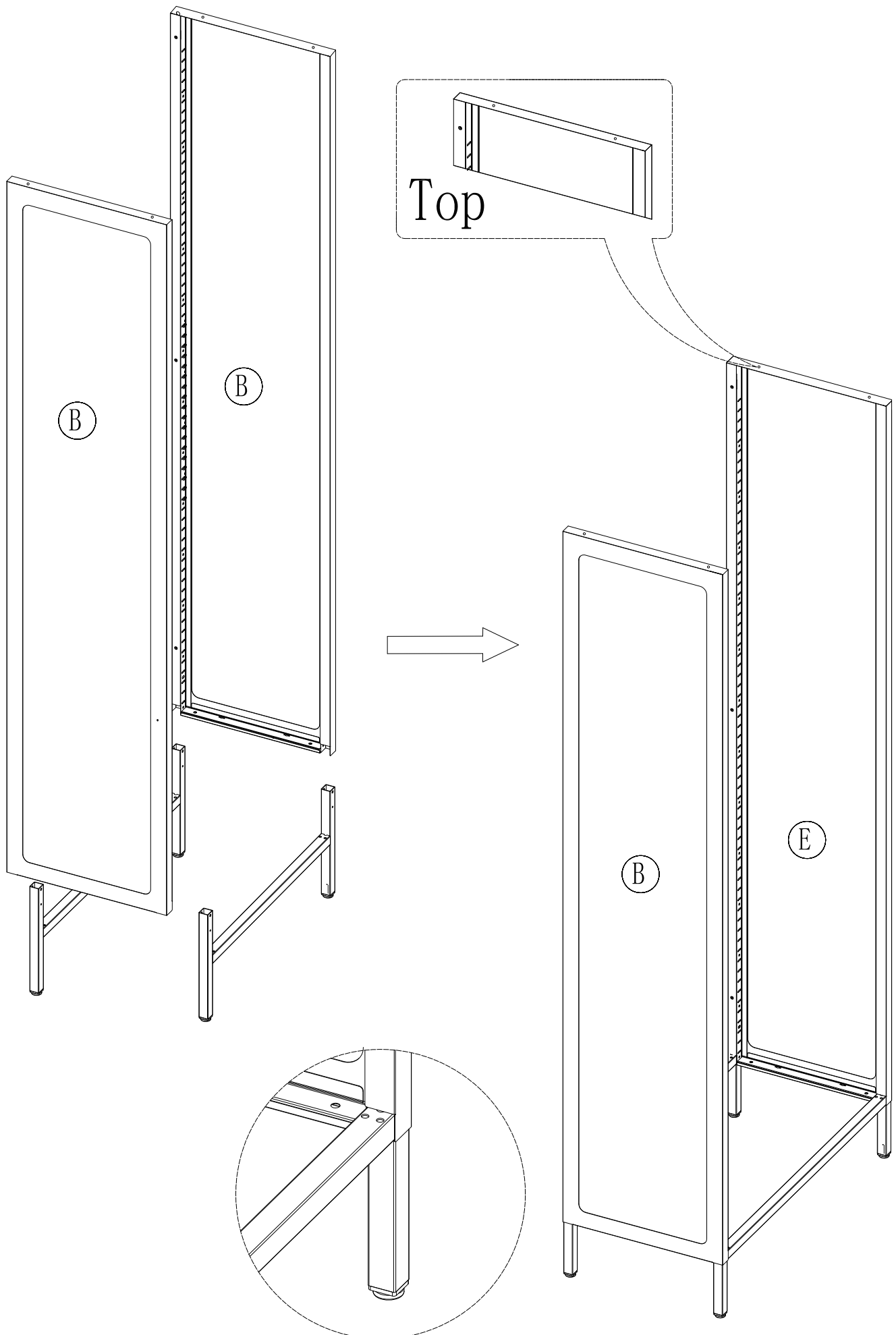


Step 2 Remove the protective plug from B side panel



Step 3

Insert the legs A into the side panels B and E



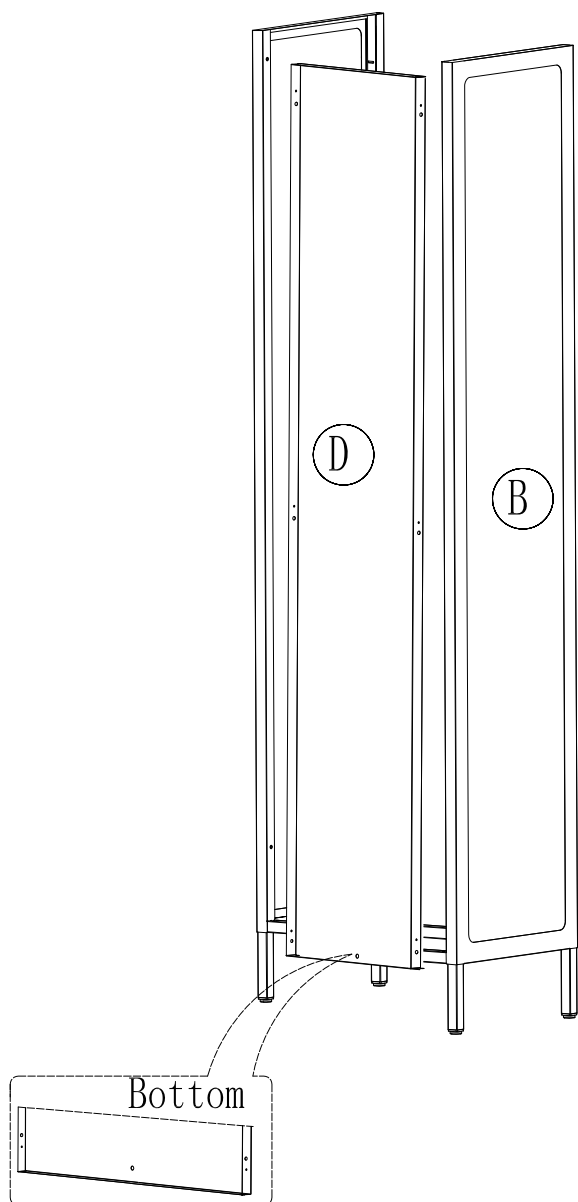
Step 4

Install the spliced back panels on the side panels and legs

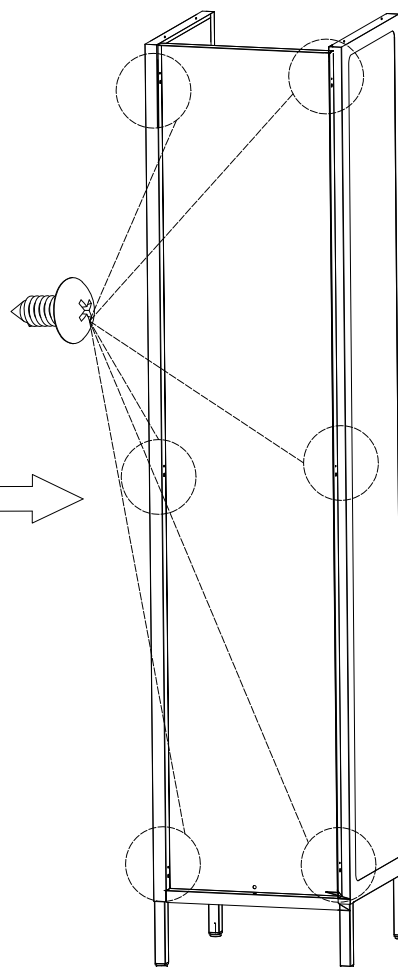
Attention:The side of the back panels without protrusions faces the interior of the steel cabinet.

2

 Screws × 6

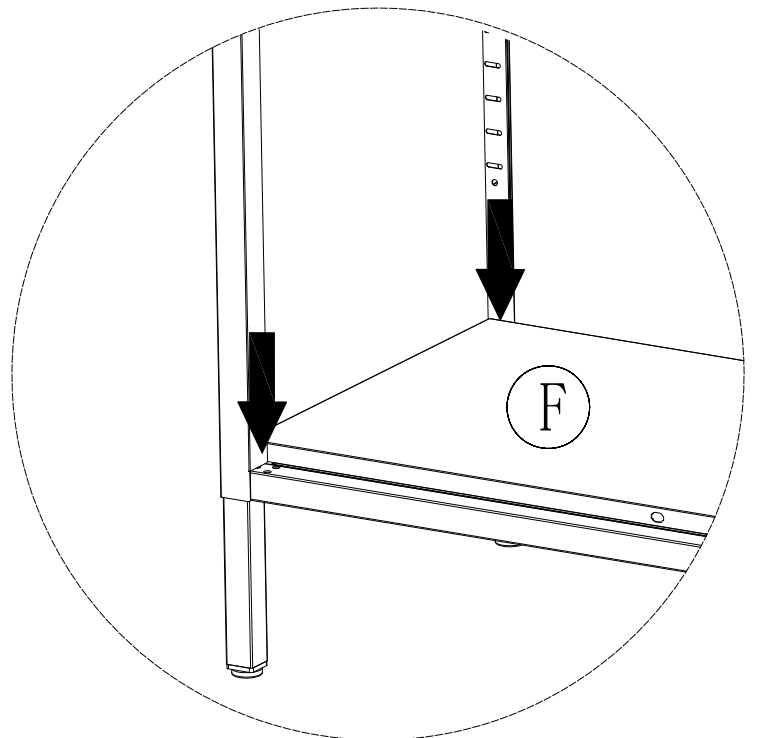
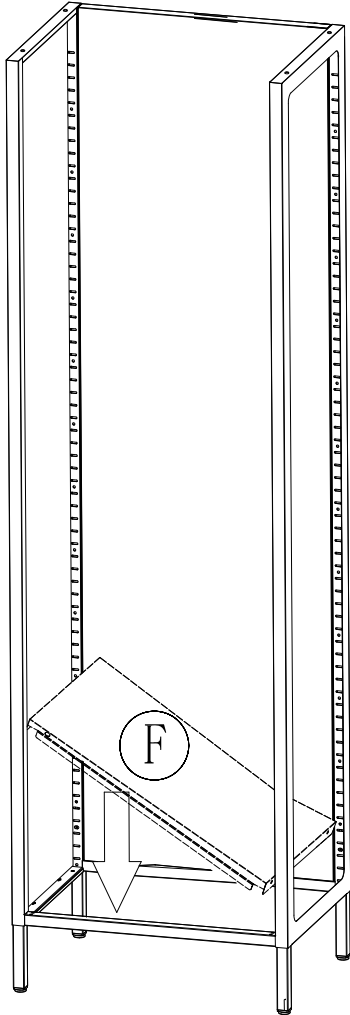


Fix the back panels with screws



Step 5

Install the bottom panel

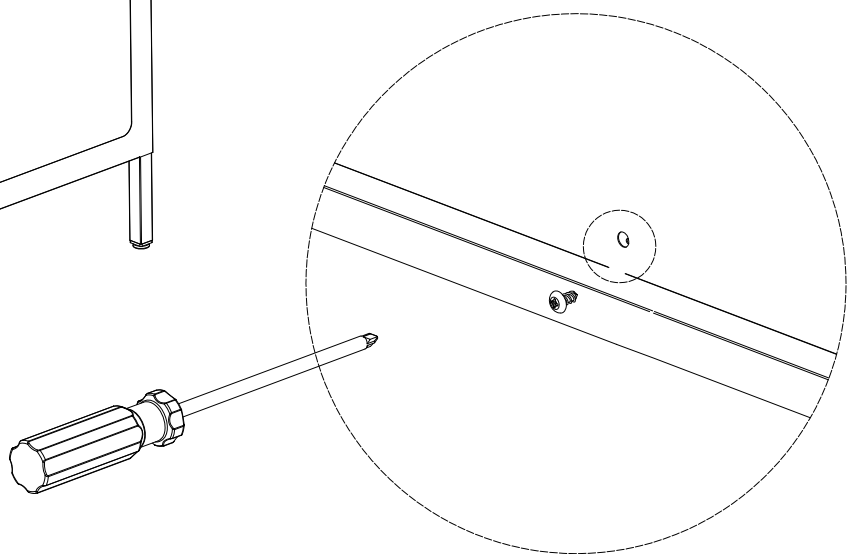
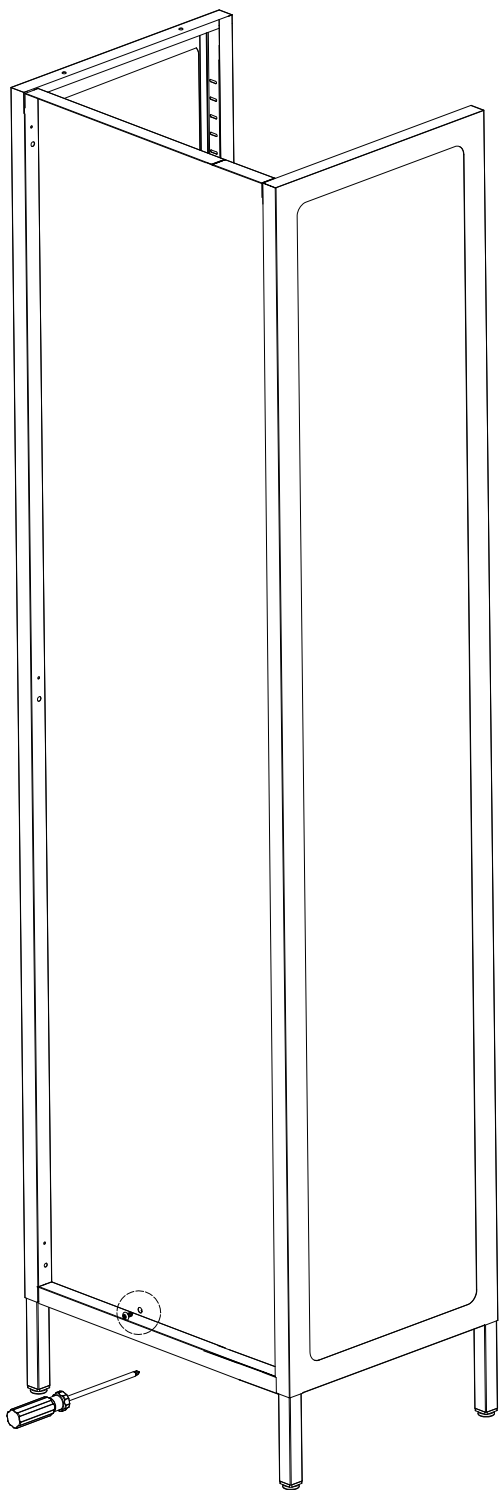


Step 6

Fix the bottom panel F

2

 Screws × 1

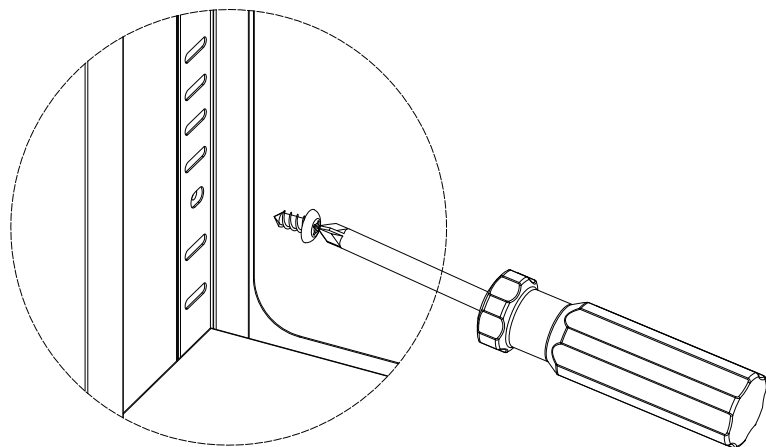
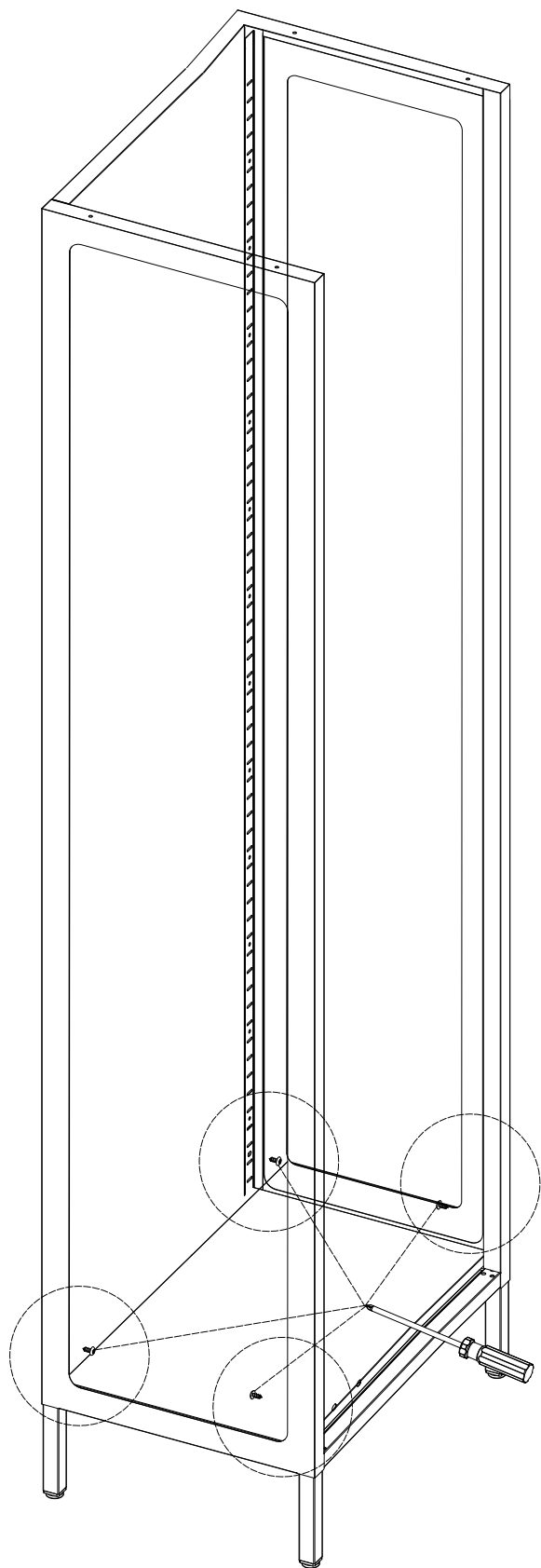


Step 7

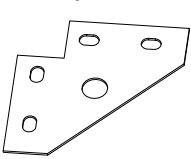
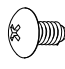
Uses screws to fix the side panels on the legs

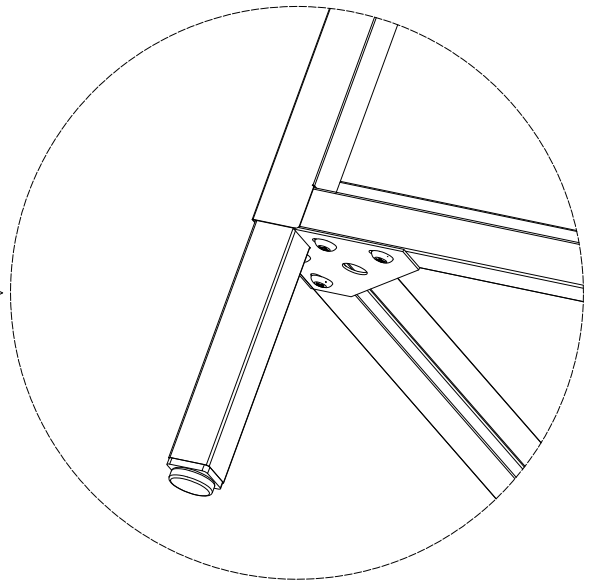
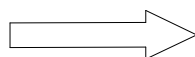
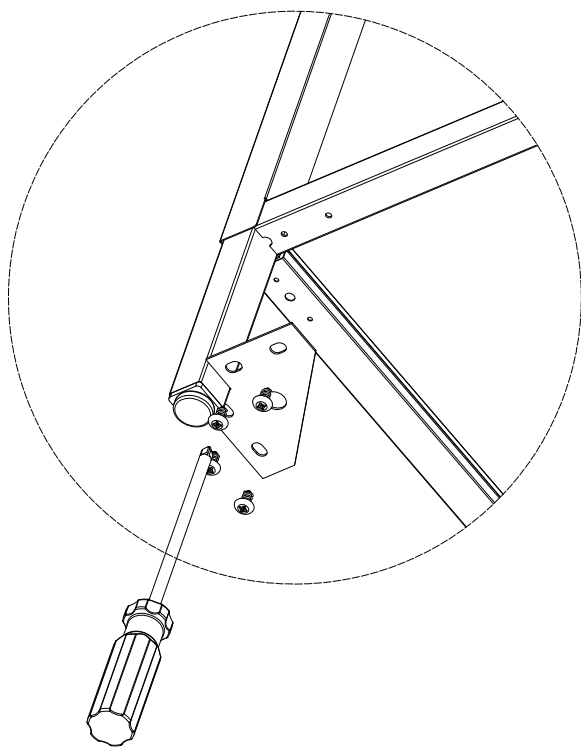
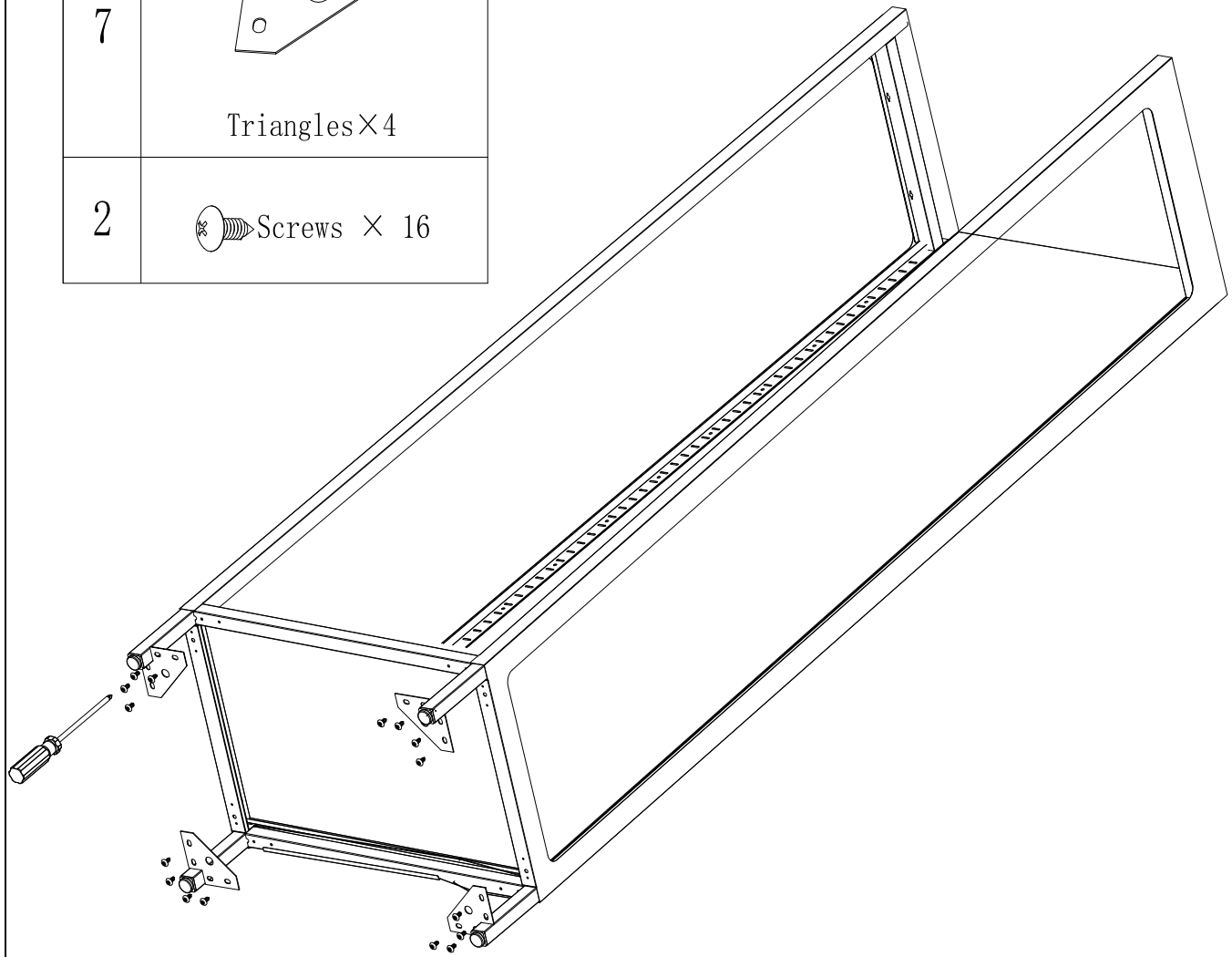
2

 Screws × 4

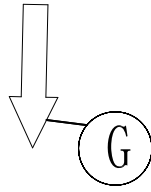


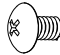
Step 8 Install the triangles

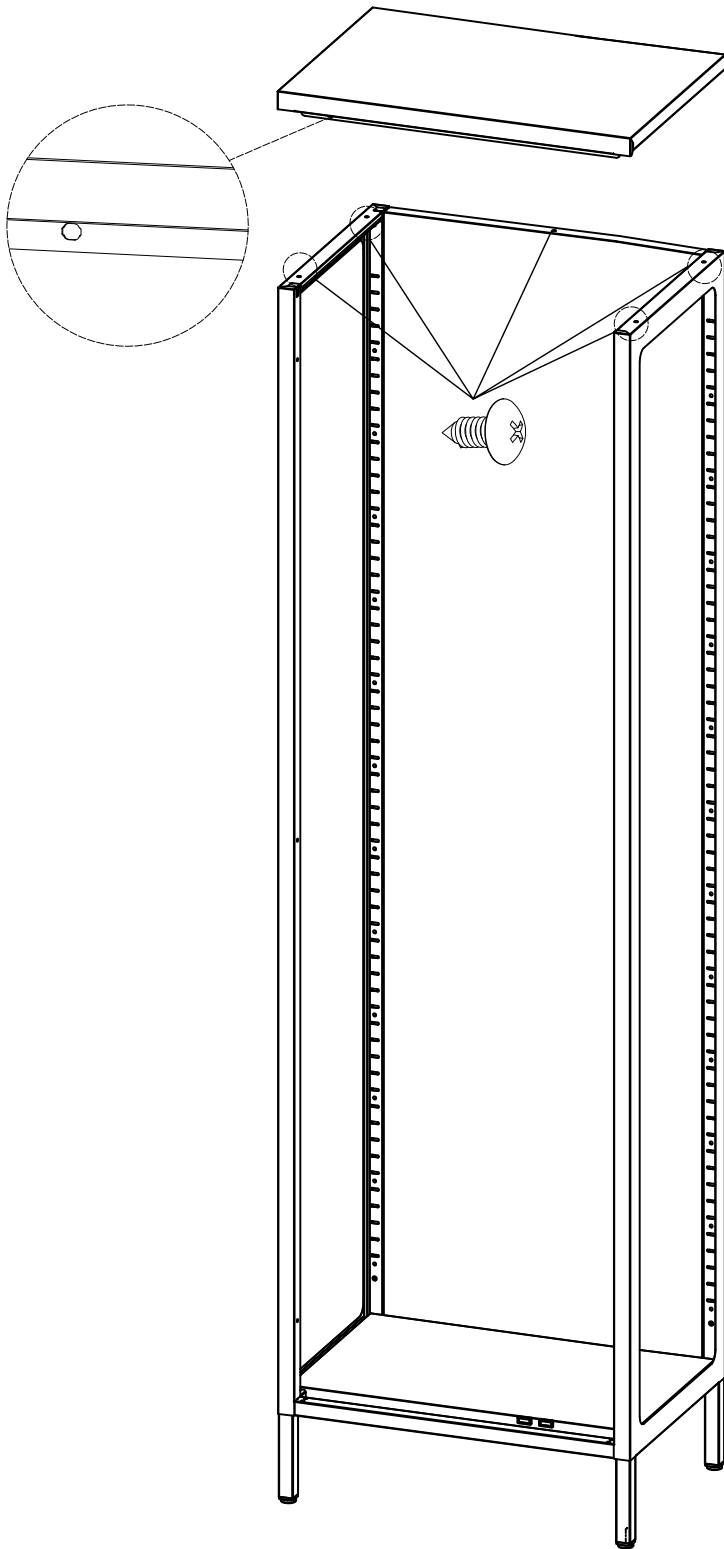
7	 Triangles×4
2	 Screws × 16



Step 9 Install the top panel G



2	 Screws × 5
---	--



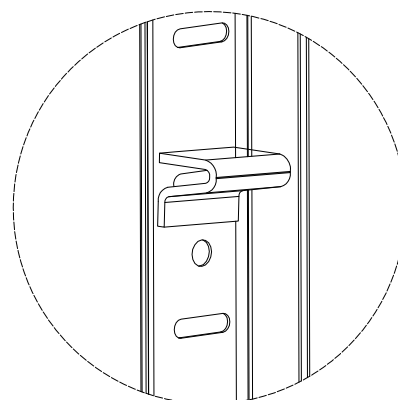
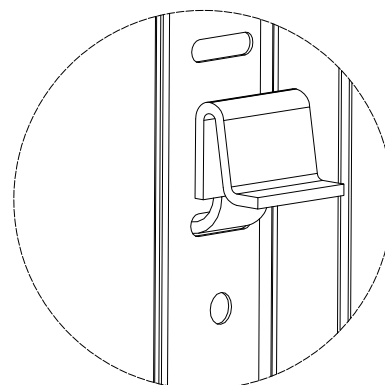
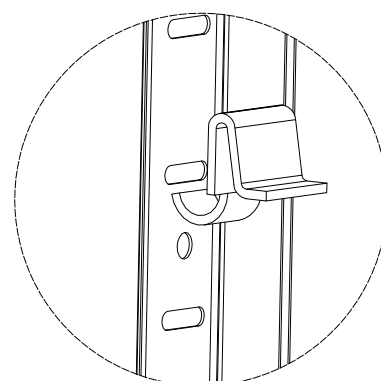
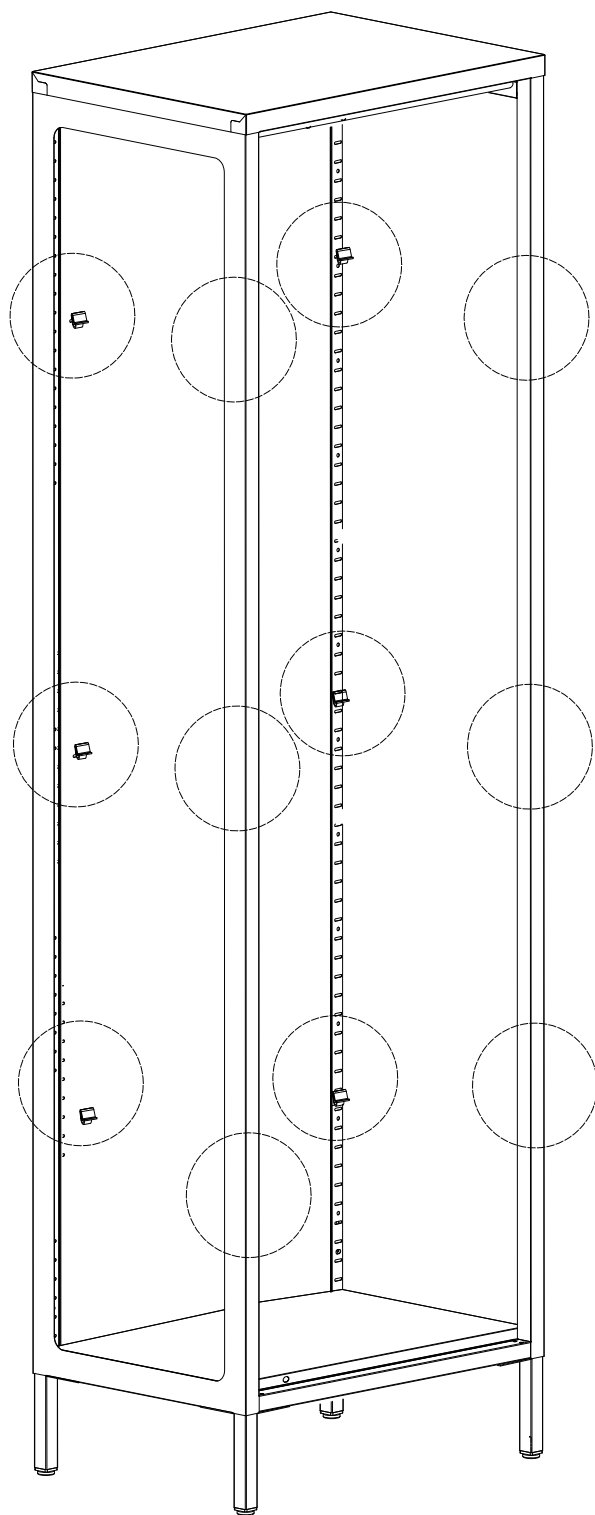
Step 10

Install the partition buckle

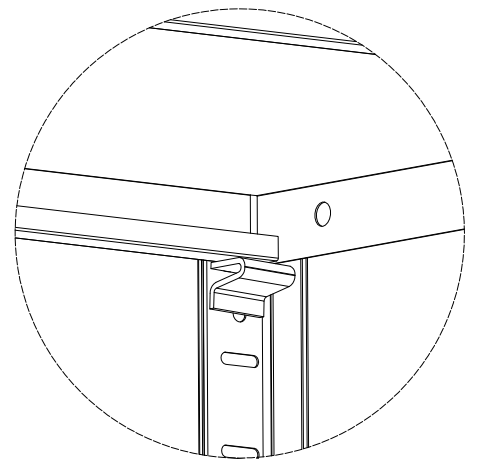
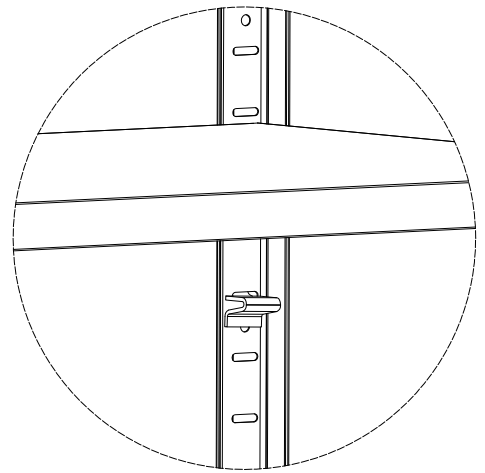
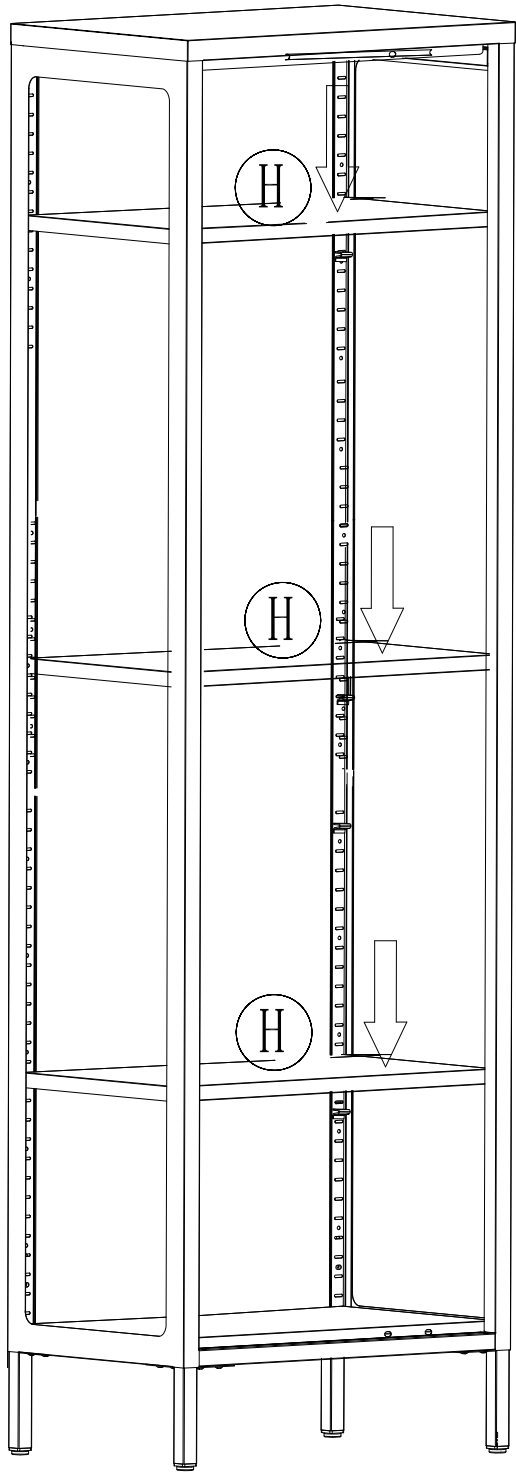
3



Holder×12



Step 11 Place the shelves above the partition buckle



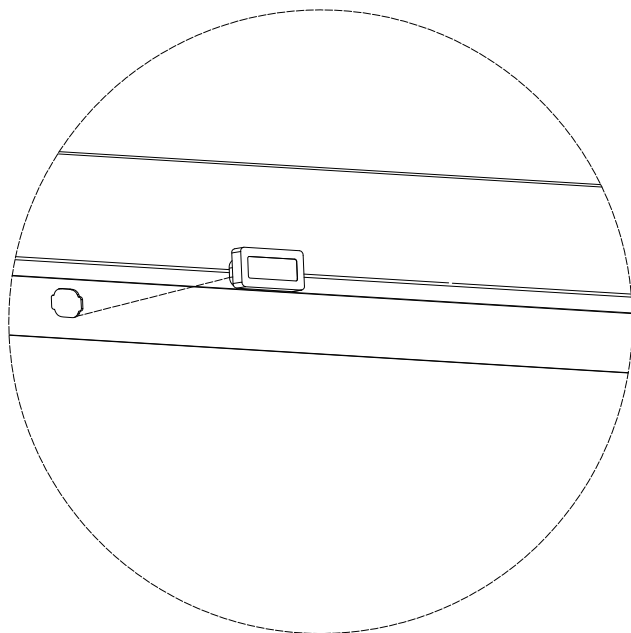
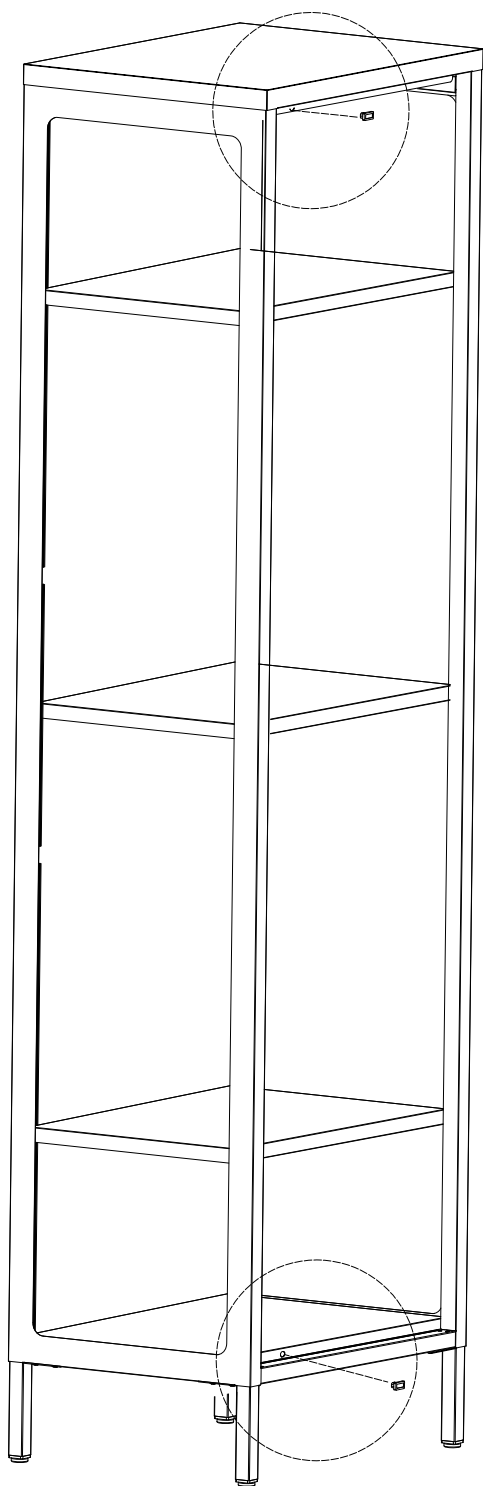
Step 12

Install the magnetic attraction

9




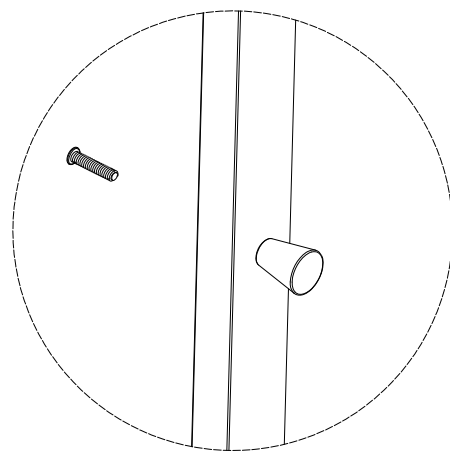
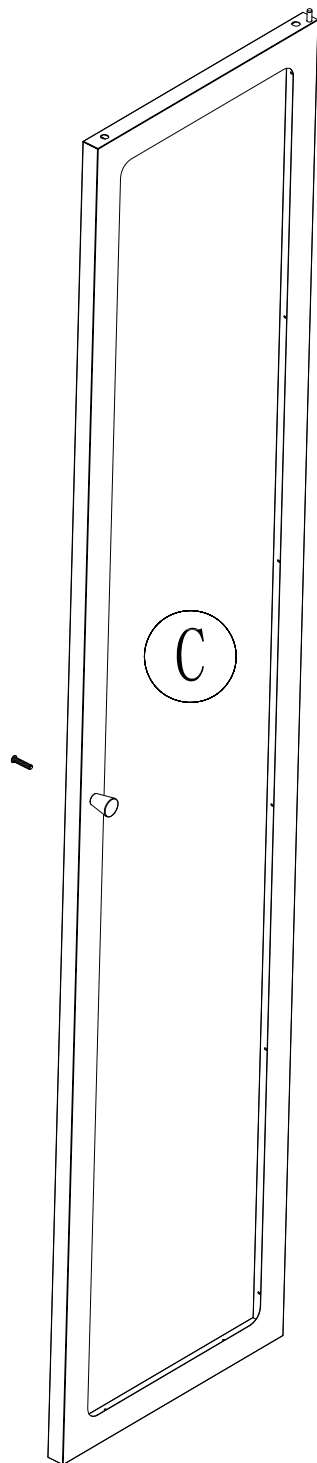
Magnetic attractions×2



Step 13

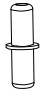

Install the door handles

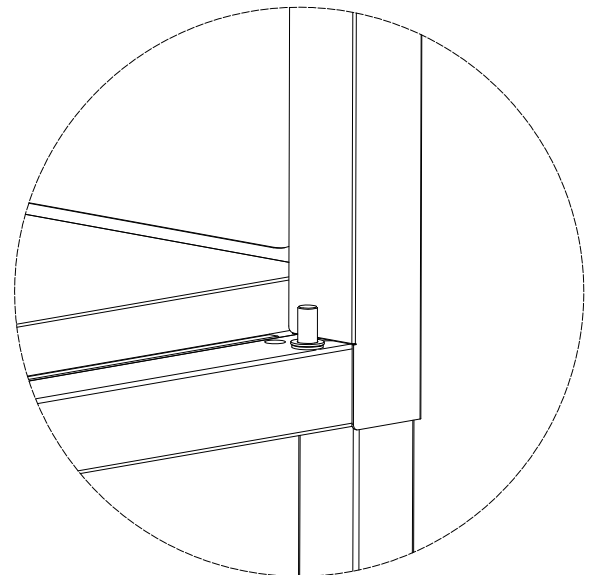
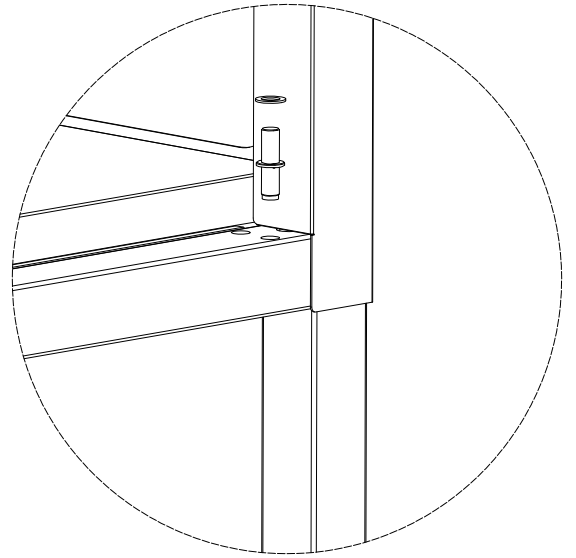
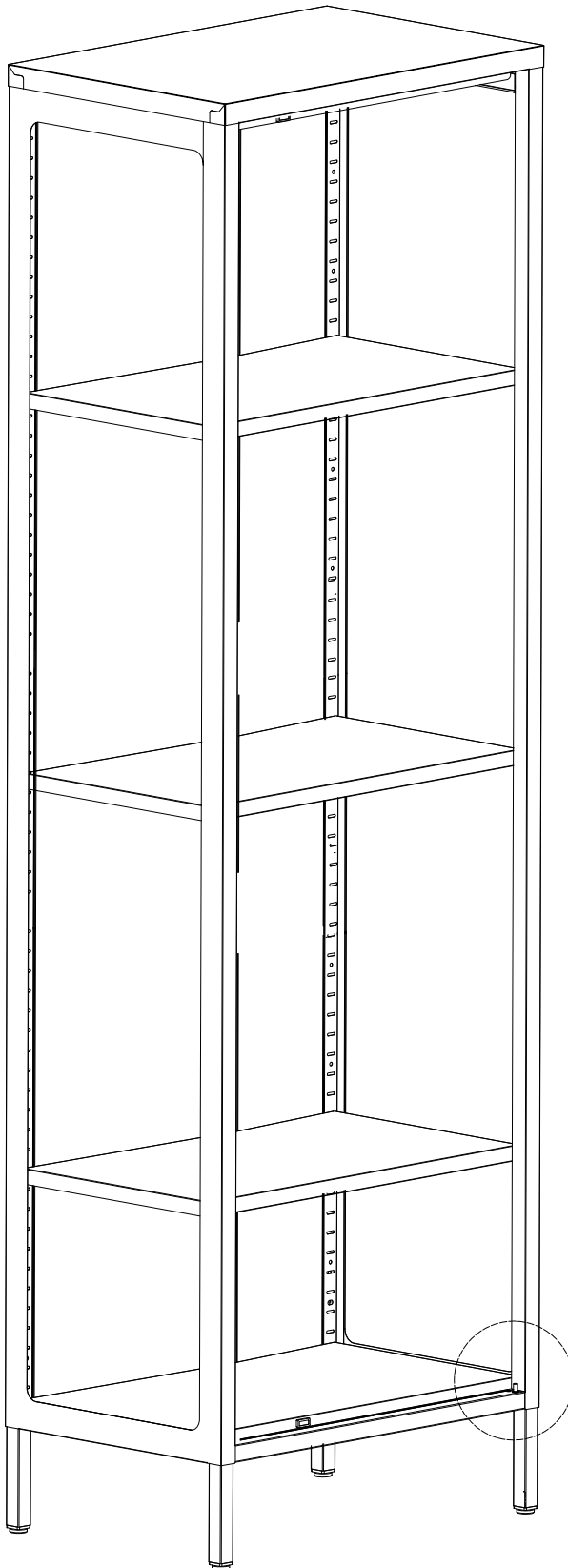
6	 Puller handle, Screws×1
---	--



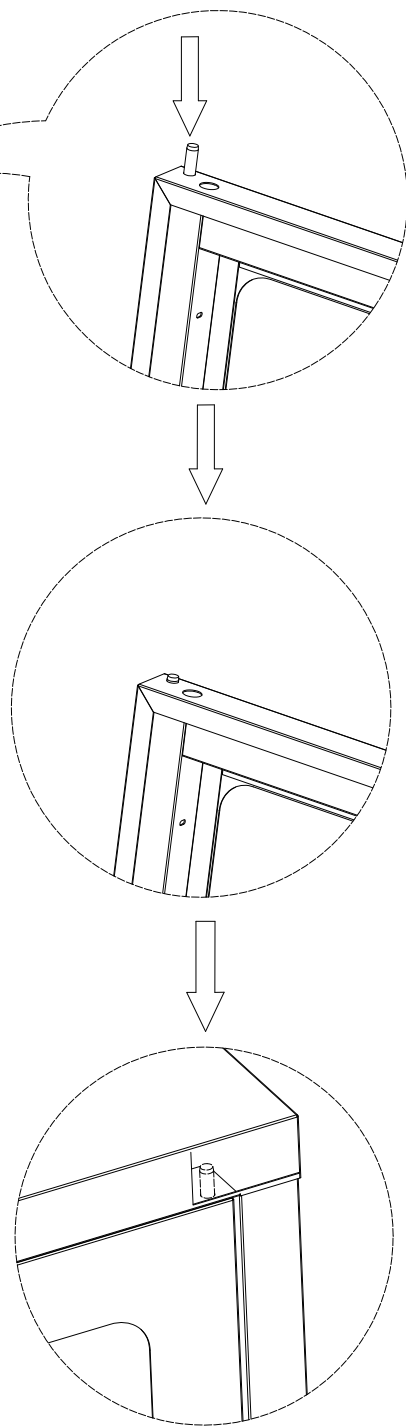
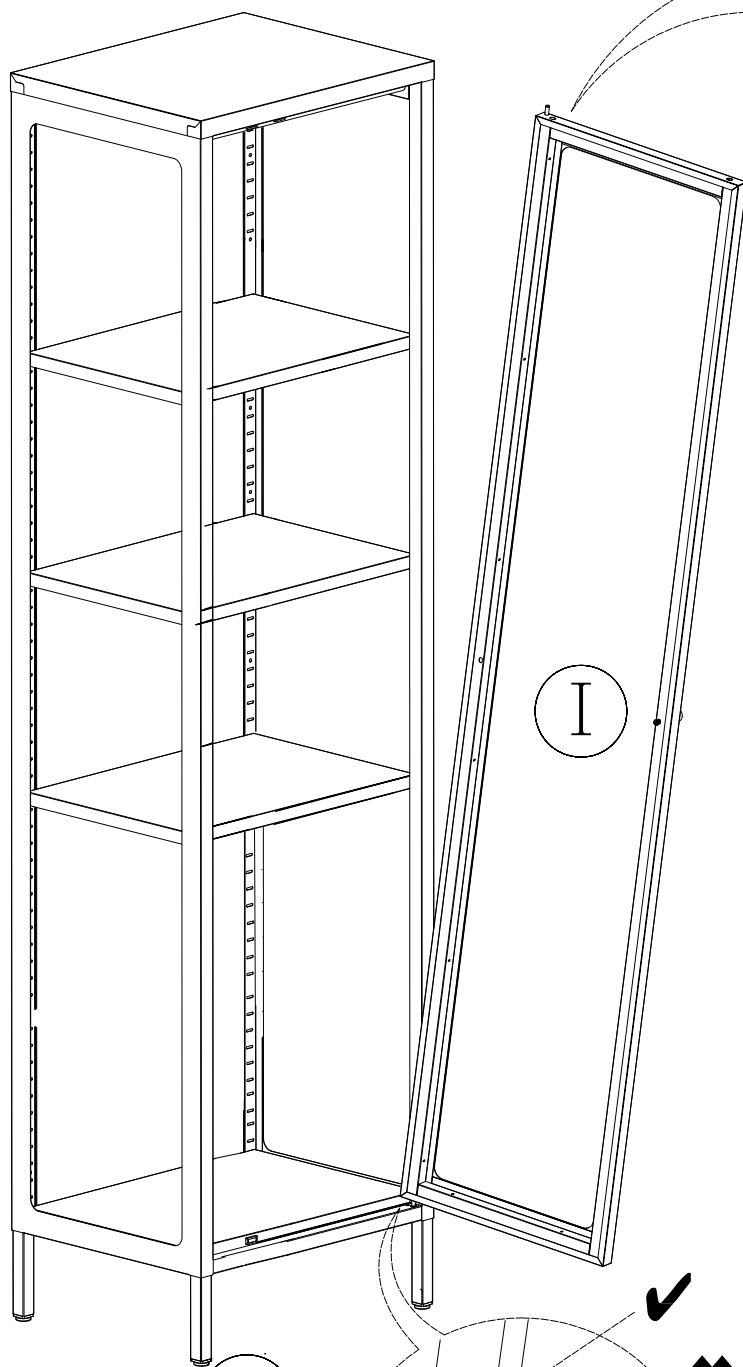
Step 14

Install the bottom door shafts

1	 Bolts × 1
4	 Plastic Rings × 1

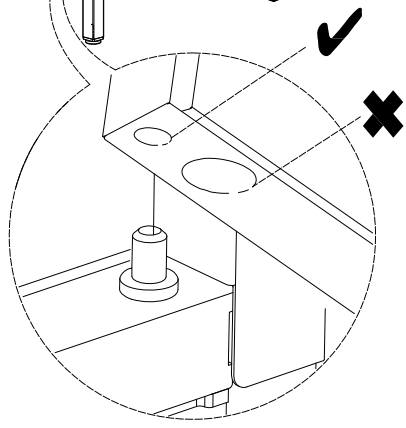


Step 15 Install the glass doors



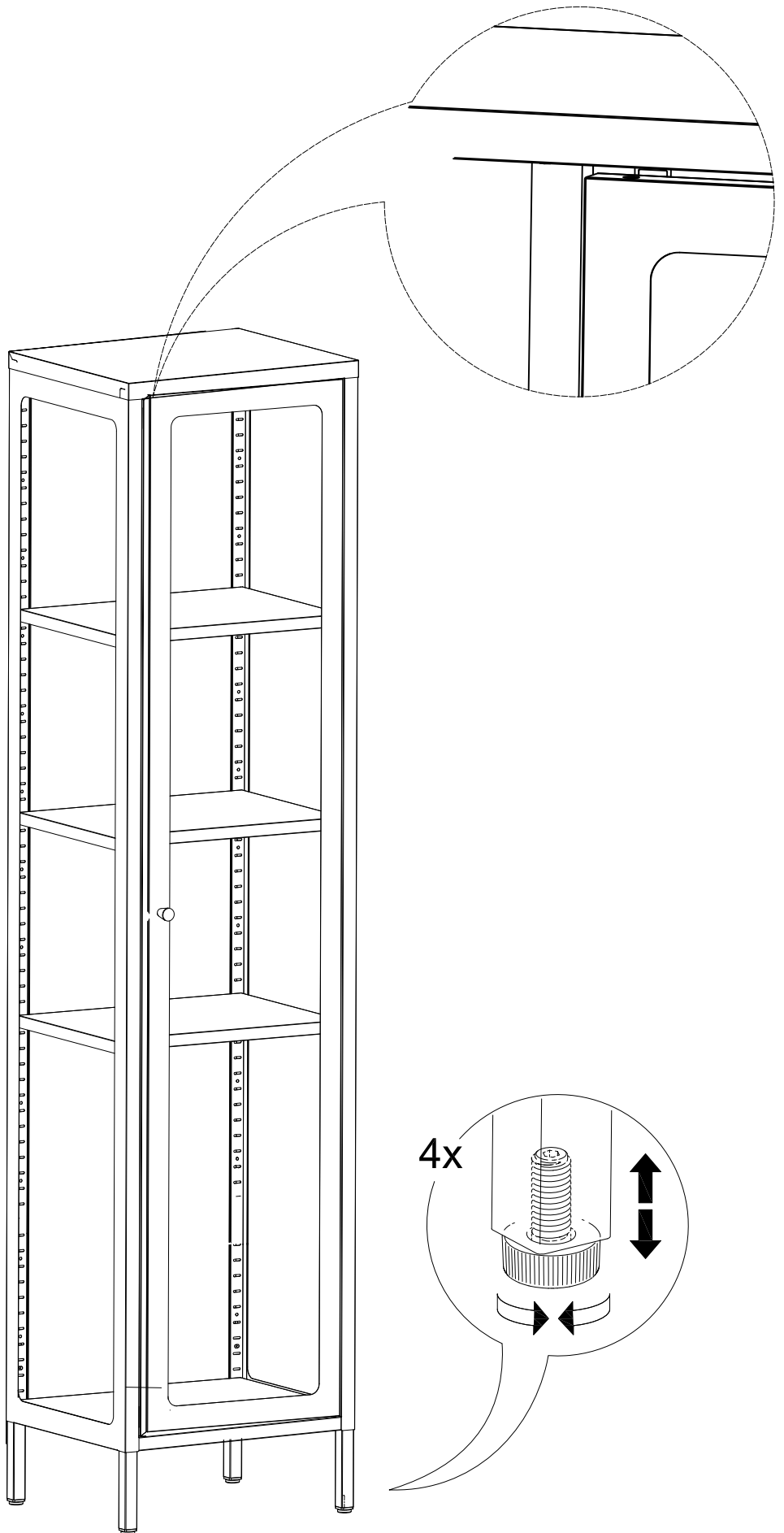
Then press the bolt down and pull glass door into cabinet

First, let the bolt into the small hole of glass door

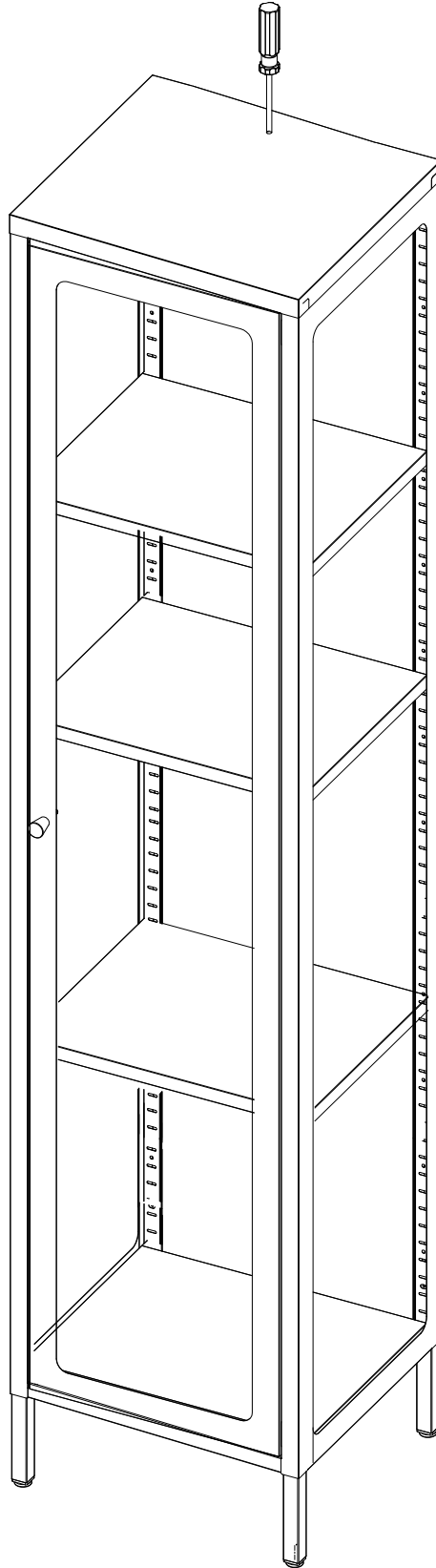


Step 16

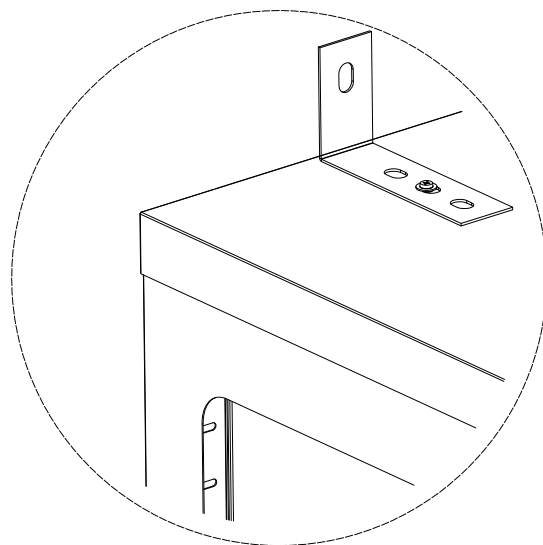
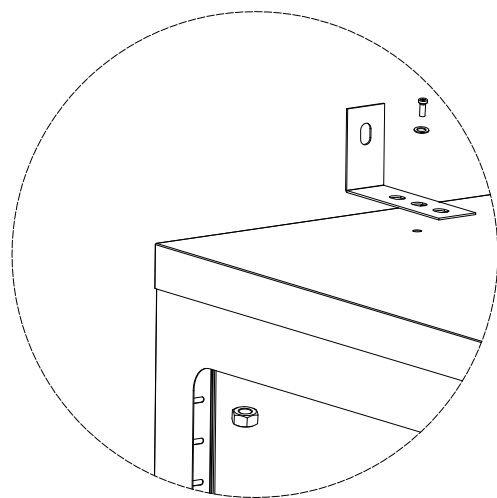
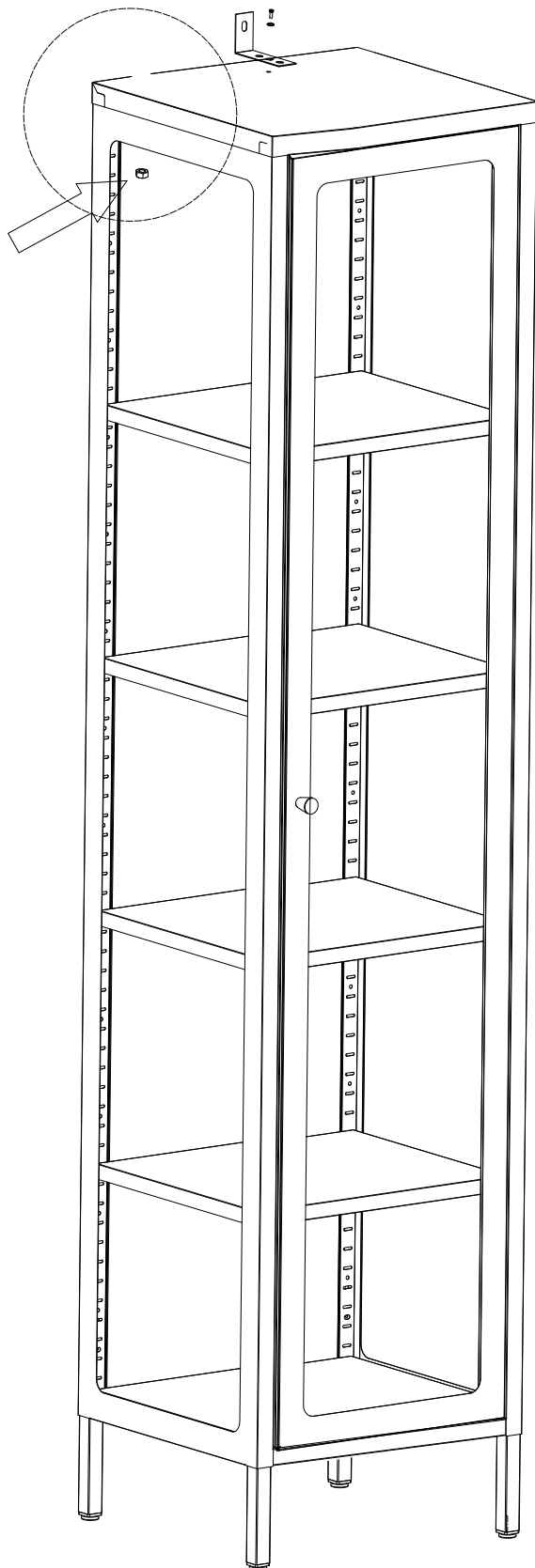
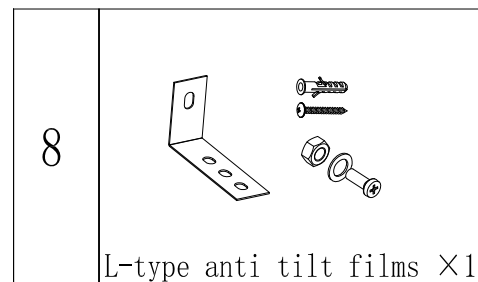
If it appears that the doors are not in line ,
adjust the adjustable feet



Step 17-1 Install the anti-tipping accessories



Step 17-2 Install the anti-tipping accessories



Step 18

Install the anti-tipping accessories

