



SPECIFICATIONS

COS-EPGR304 Gas Range



COS-EPGR304

Transform your kitchen from ordinary to refined with Cosmo's COS-EPGR304 4.5 cu. ft. single oven gas range. Using 5 sealed burners and standard convection oven, you can cook a variety of main dishes, sauces, baked goods and more.

Features

- Designed for freestanding or slide-in
- Gas cooktop with 5 sealed burners
- Single gas oven with 4 functions
- Standard convection
- Removeable backsplash
- Bottom storage drawer
- Drip tray included
- 304-grade stainless steel

Size	30 Inch / 4.8 cu. ft. Capacity
Fuel	Gas
Installation	Freestanding / Slide-In
Controls	Plastic Knobs with Metallic Coating
Oven	Convection
Material	Stainless Steel
Electrical	120V / 60Hz
Racks	2 Racks, 5 Positions
Oven Functions	Bake, Broil, Convection Bake, Convection Broil
Burners	<ul style="list-style-type: none">• Power / 18,000 BTU• Rapid / 9,000 BTU• Rapid / 8,000 BTU• Semi-Rapid / 4,200 BTU• Auxiliary / 4,000 BTU• Bake Burner / 18,500 BTU• Broil Burner / 10,000 BTU



Storage Drawer



Knob LED Lights



Triple Layer Glass

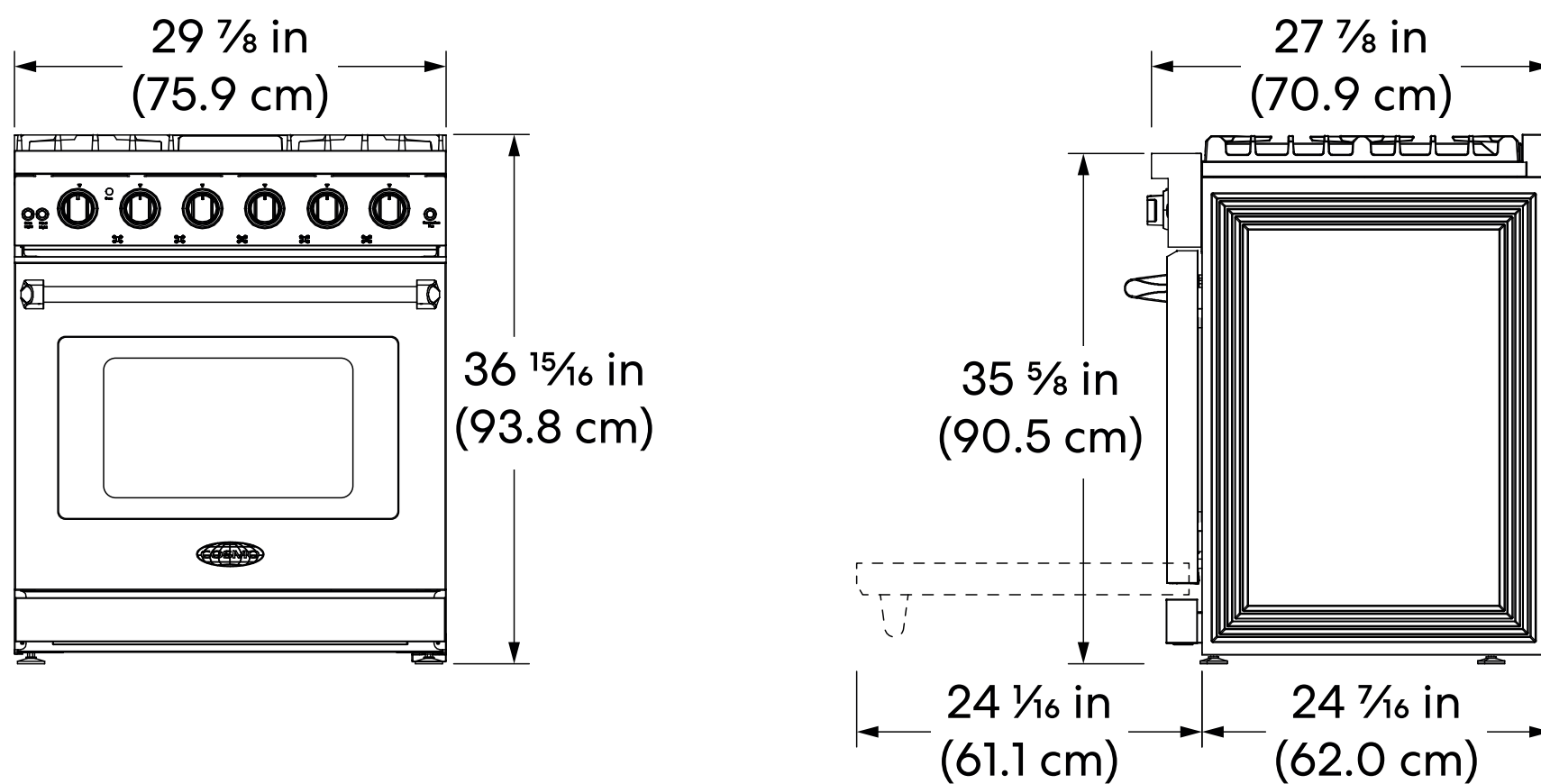
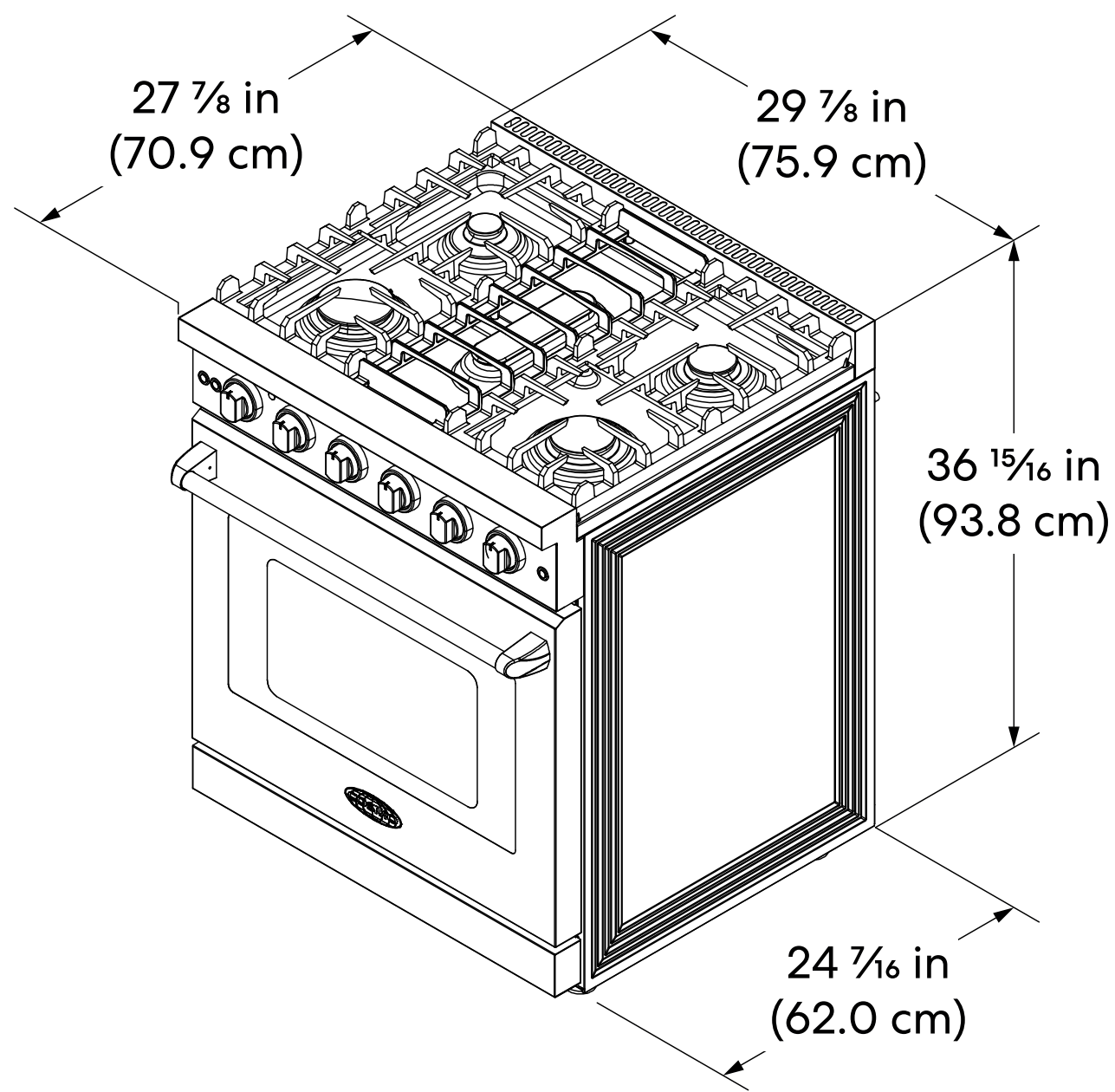


See Page 2 for dimensions



DIMENSIONS

COS-EPGR304 Gas Range



Dimensions (WxDxH): 29.9" x 27.9" x 36.9"