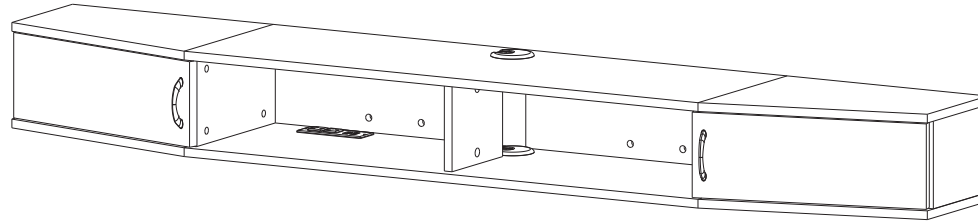


Installation & Assembly



Dear customer:

Thanks for your purchase in our store.

- 1.Purchase platform & order number
- 2.Model number & Instruction version#
- 3.The detailed photo (faulty part, damage part, if some parts are missing, please circle it/them on the manual instruction) and send us.

お客様へ

この度、お買い上げいただきまして、誠にありがとうございます。

なお、お買い上げの商品につきまして、ご不満やご要望などがござい

1 ご注文番号

2 商品番号

3 詳しい写真（欠陥の部分：部品が見当たらない場合はマニュアルで
○をつけてください。）

メールを頂きましたら、24時間以内にご返信いたします。

★ Thank you for choosing our products please read the instructions carefully before installation, and please keep the instructions properly

Tips and tricks

1. Do not attempt to move this furniture without first removing all equipment
2. Death or serious injury may occur when children climb on audio and/or video equipment furniture. A remote control or toys placed on the furnishing may encourage a child to climb on the furnishing and as a result the furnishing may tip over onto the child.
3. Please contact us using the details shown for further advice

⚠ **WARNING** If any parts are missing or damaged, do not return the damaged item to your dealer; contact Customer Service. Never use damaged parts!

★ Vielen Dank für Ihre Auswahl für unsere Produkte, lesen Sie bitte die Anweisungen sorgfältig vor Ihrer Installation und halten Sie bitte die Anweisungen richtig!

Tips und tricks

1. Versuchen Sie bitte nicht, diese Möbel zu bewegen, ohne zuerst alle Geräte zu entfernen
2. Wenn die Kinder auf Audio und / oder Videogerätemöbel klettern, kann Tod oder schwere Verletzungen kommen. Eine Fernbedienung oder Spielzeug kann die Kinder ermutigen, die auf die Einrichtung gestellt wird, sich auf die Einrichtung zu klettern. Dies bewirkt, dass die Möbel auf Ihre Kinder umfallen könnte.
3. Bitte kontaktieren Sie uns mit den Details für weitere Beratung

⚠ **WARNING** Wenn irgendwelche Teile fehlen oder beschädigt sind, geben Sie bitte den beschädigten Artikel nicht an Ihren Händler zurück; Kontaktieren Sie bitte mit dem Kundendienst. Verwenden Sie bitte niemals beschädigte Teile!

★ Nous vous remercions d'avoir sélectionné nos produits, lisez les instructions attentivement avant l'installation, et gardez les instructions correctement s'il vous plaît!

Conseils et astuces

1. Ne tentez pas de déplacer ce mobilier sans enlever tout l'équipement.
2. Des dégâts ou des blessures graves pourraient survenir lorsque les enfants grimpent sur des meubles audio et / ou vidéo. Une télécommande ou des jouets placés sur le meuble pourraient encourager un enfant à grimper sur le meuble, il en résulte que le meuble pourrait basculer sur l'enfant.
3. Contactez-nous en utilisant les détails affichés pour obtenir les conseils s'il vous plaît

⚠ **AVERTISSEMENT** S'il y a des pièces manquantes ou endommagées, ne renvoyez pas l'article endommagé à votre vendeur; Contactez le service clientèle. Ne jamais utiliser de pièces endommagées!

★ ¡Gracias por elegir nuestros productos, por favor lea las instrucciones cuidadosamente antes de la instalación, y guárdelas correctamente!

Consejos y trucos

1. Si no quita todos los equipos en el primer lugar, no intente mover este mueble
2. Cuando los niños suben a los muebles con el equipo de audio y / o video, la muerte o las lesiones graves podrían ocurrir. El control remoto o los juguetes colocados en el mueble pueden estimar a un niño a subir en el él y el mueble podría volcarse sobre el niño.
3. Póngase en contacto con nosotros utilizando los detalles mostrados para obtener más sugerencias.

⚠ **ADVERTENCIA** Si las piezas faltan o están dañadas, no devuelva el producto dañado a su distribuidor; póngase en contacto con los Servicios al Cliente. ¡Nunca utilice las piezas dañadas!

★ 弊社の製品を選んでくれてありがとうございます。インストールする前に説明書をご覧ください、それに当説明書を適切に保存してください。

提示と技巧

1. 設備を全て開かない場合、当設備を移動することはできません。
2. 子どもがステレオまたはビデオの設備の上に登ると、体を壊したり、ひどく傷ついたりする恐れがある。設備のリモコンと玩具によって、子どもが設備の上に登りたがっているかも知れないので、設備は子どもの身に倒れる危険がある。
3. 設備の使用に関わる詳細な情報を弊社にご連絡してください。

⚠ **警告** どんな部品が紛失したり壊れたりする場合でも、そのままディーラーのところへ返送しないでください、顧客サービスセンターに連絡してください。壊れた部品を使用しないでください。

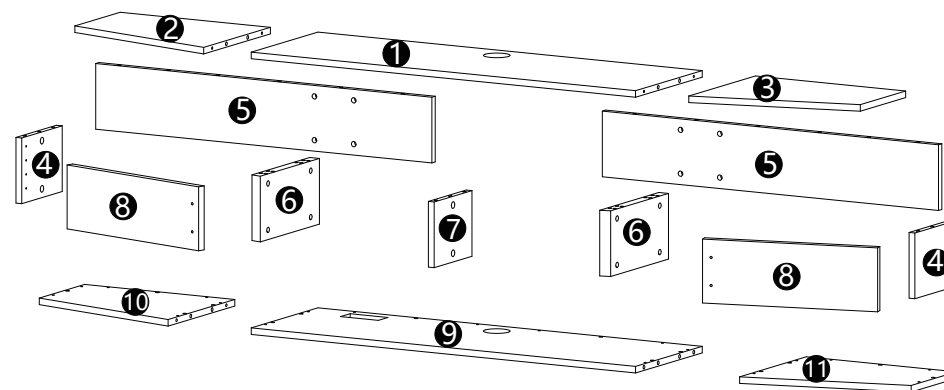
★ Grazie per aver scelto i nostri prodotti, si prega di leggere attentamente le istruzioni prima dell'installazione e rispettare le istruzioni corrette!

Suggerimenti e trucchi

1. Non tentare di spostare questo mobile senza prima rimuovere tutte le apparecchiature
2. Possono verificarsi morti o gravi lesioni quando i bambini salgono su mobili per arredamento audio e/o video. Un telecomando o i giocattoli messi sull'arredamento possono incoraggiare un bambino ad arrampicarsi sull'arredamento, e di conseguenza l'arredamento può piegarsi sul bambino.
3. Vi preghiamo di contattarci utilizzando i dettagli mostrati per ulteriori consigli

⚠ **AVVERTENZA:** Sse mancano o sono danneggiate parti, non restituire l'elemento danneggiato al rivenditore; Contattare il Servizio Clienti. Non utilizzare mai parti danneggiate!

What's in the box



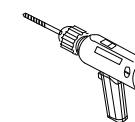
Stud Finder



Φ4mm (5/32")
Wood Drill



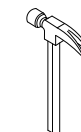
Φ11mm (7/16")
Wood Drill



Drill



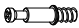


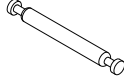



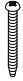


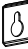

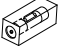





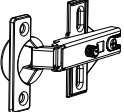


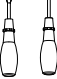
Pencil



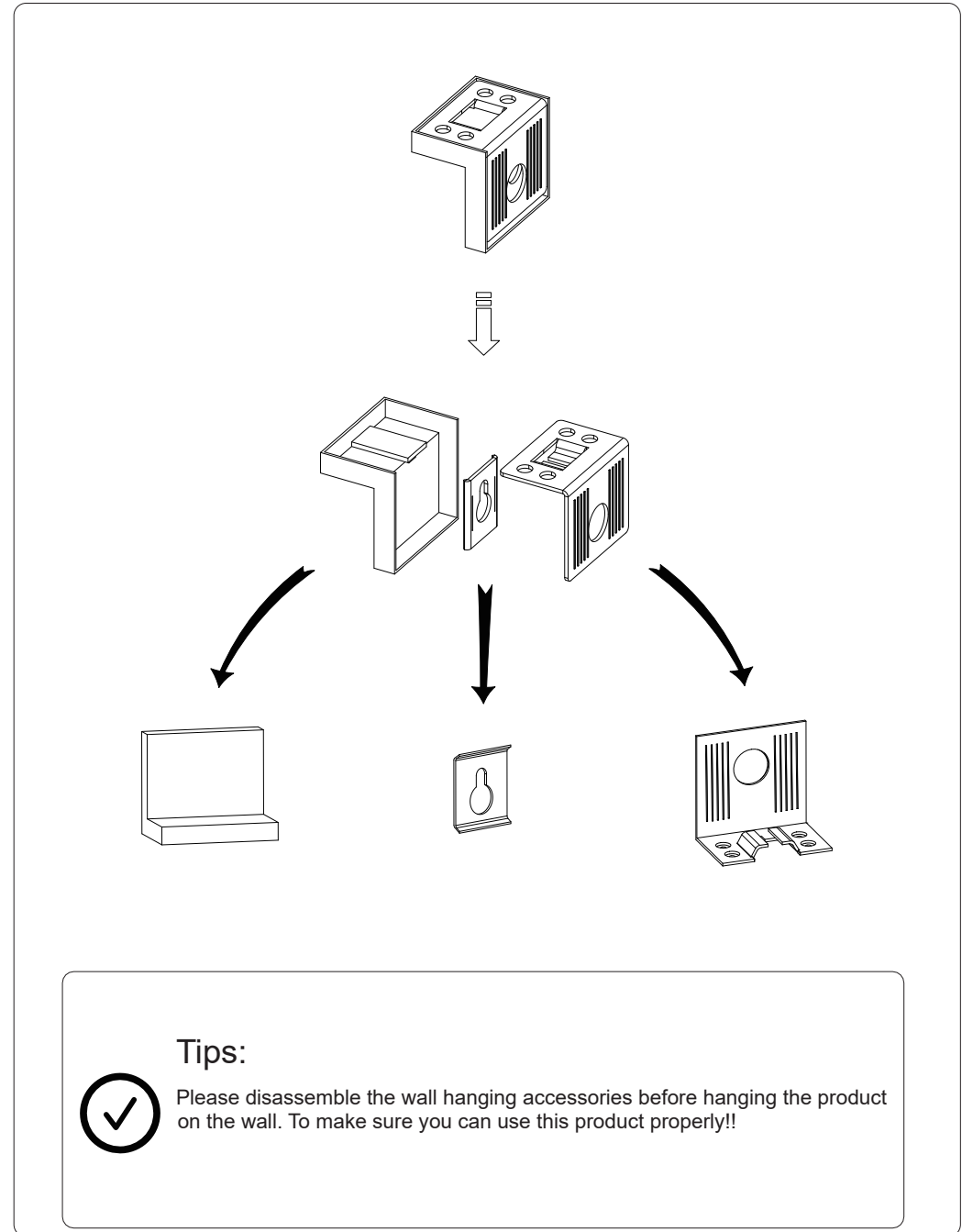
Screw driver

Tools Required
(Not included)

What's in the box

| | | | |
|----------------------------------------------------------------------------------------------|-------------------------------------------------------------------------------------------------------------------------|----------------------------------------------------------------------------------------------|-----------------------------------------------------------------------------------------------|
|  A × 38 |  B × 38 |  C × 44 |  D × 8 |
|  E × 16 |  F × 22 |  G × 2 |  H × 2 |
|  I × 2 |  J × 2 |  K × 2 |  L × 2 |
|  M × 1 |  N × 1 |  O × 1 |  P × 1 |
|  Q × 2 |  R × 4 |  T × 4 |  U × 16 |
|  V × 2 |  Tools Required (Not included) | | |

Easy to install



Tips:

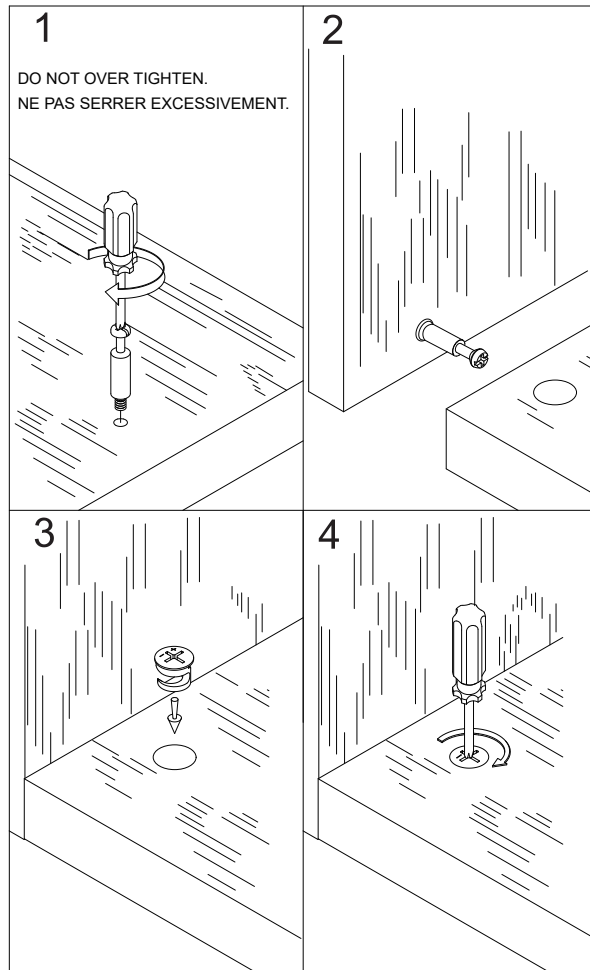
Please disassemble the wall hanging accessories before hanging the product on the wall. To make sure you can use this product properly!!

Easy to install

This illustration shows how the CAM fastening system works.

Esta ilustración muestra como funciona el sistema de fijación de leva.

Cette illustration montre comment le système de fixation de la CAME fonctionne.



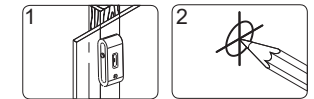
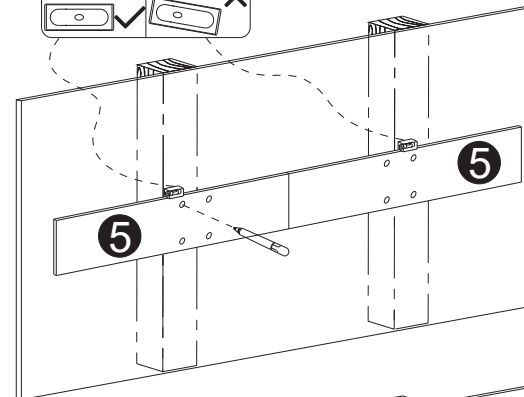
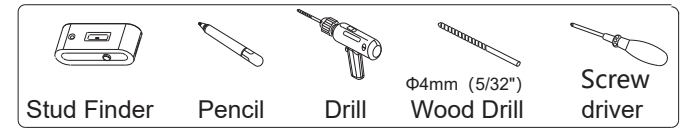
4

Easy to install

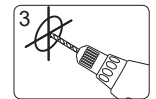
1a. Wood Stud Wall Mounting

Fit for 406mm(16"), 610mm(24")stud

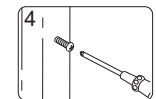
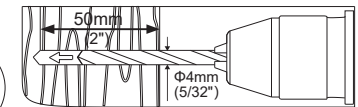
Tools Required
(Not included)



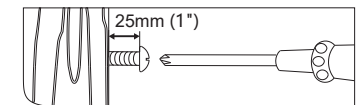
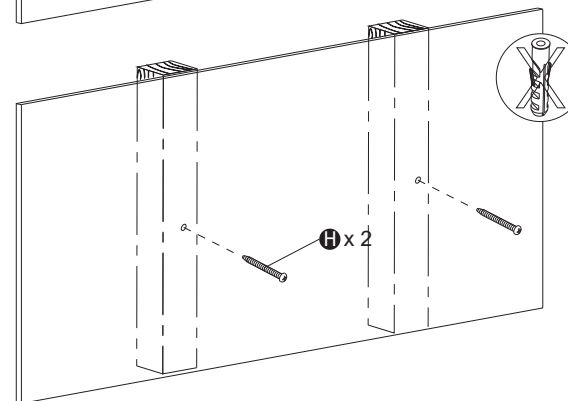
Find and mark the exact location of mounting holes



Drill pilot holes



Screw H on the wall



⚠ WARNING

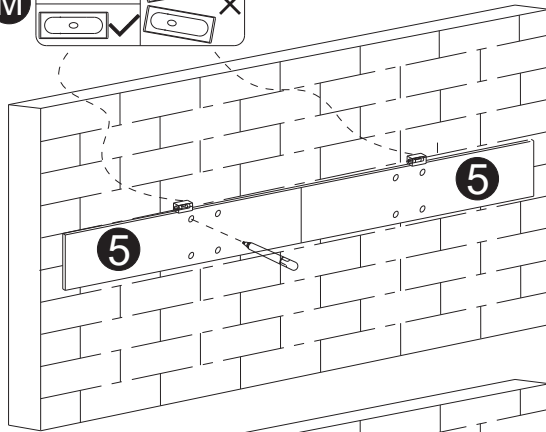
- Make sure that mounting screws are anchored into the center of the studs. The use of a stud finder is highly recommended.
- Installers are responsible to provide hardware for other types of mounting situations.
- Installers must verify that the supporting surface will safely support the combined weight of the equipment and all attached hardware and components.

5

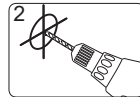
Easy to install

1b. Solid Brick and Concrete Mounting

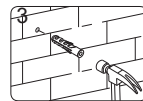
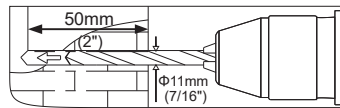
Tools Required
(Not included)



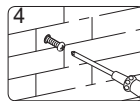
Mark the exact location of mounting holes



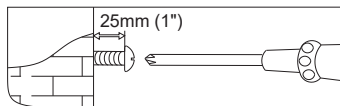
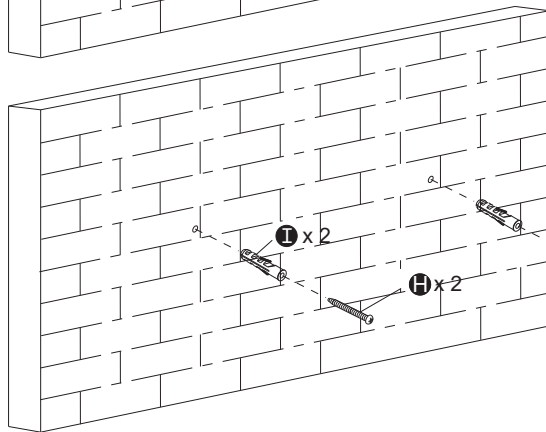
Drill pilot holes



Secure wall anchors **L** into drilled holes with hammer



Screw **H** on the wall

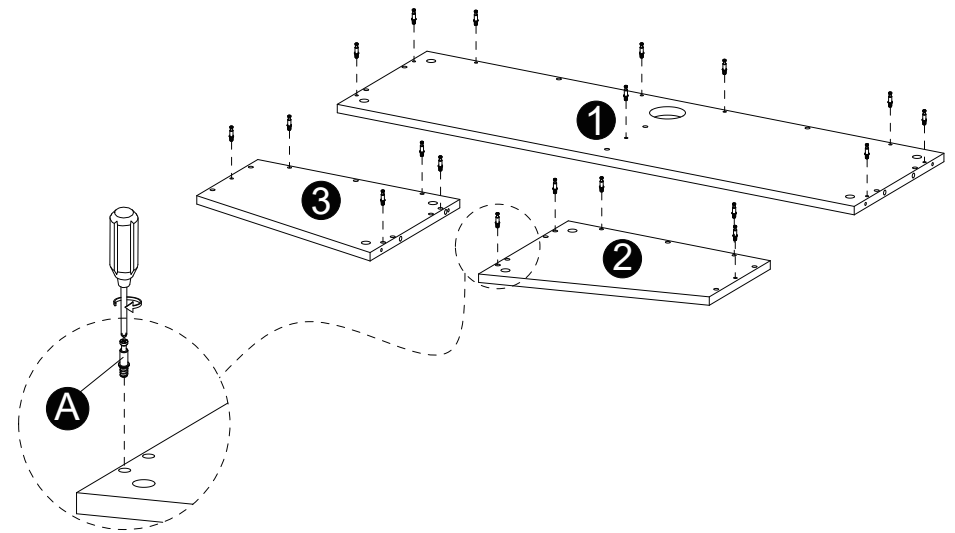


⚠ WARNING

· Installers must verify that the supporting surface will safely support the combined weight of the equipment and all attached hardware and components.

Easy to install

1

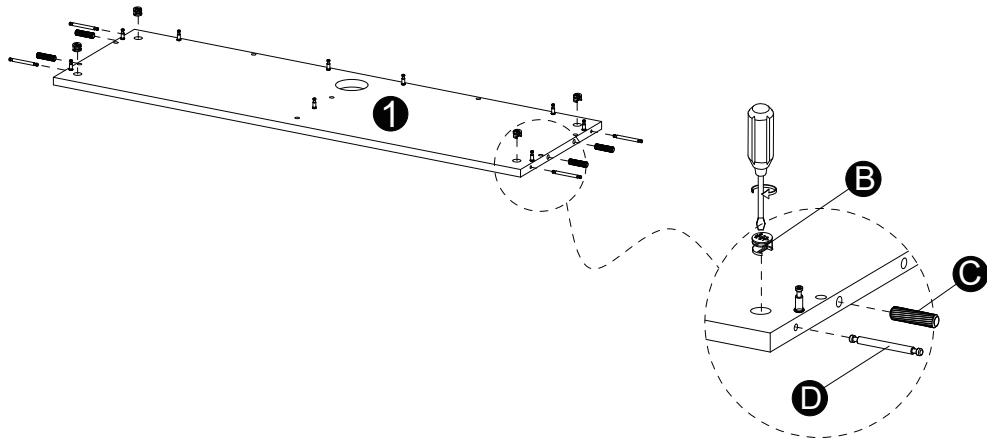


A x 19



· Screw parts (A) into panels (1,2,3).

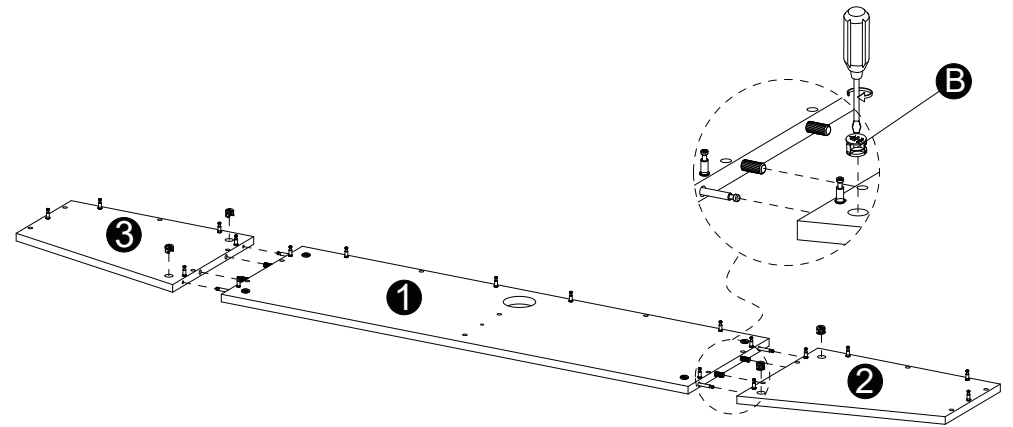
2



- | | | |
|--------------|--------------|--------------|
| B x 4 | C x 4 | D x 4 |
| | | |

- Insert dowels (C) into panel (1).
- Then insert cam locks (B) to panel (1).
- Then insert parts (D) into panel (1).
- Then secure the cam locks (B) to lock parts (D).

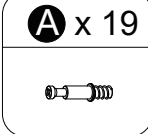
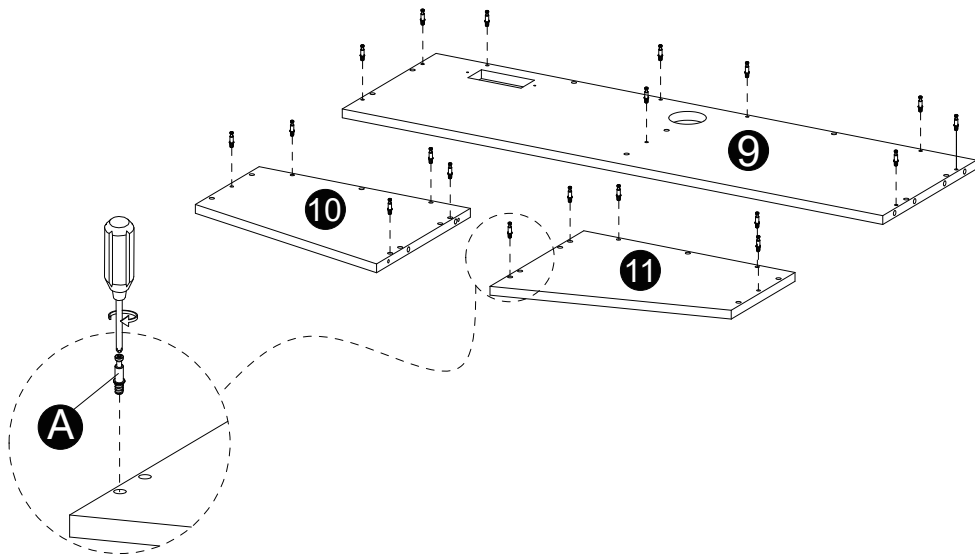
3



- | |
|--------------|
| B x 4 |
| |

- Attach panels (2,3) to panel (1).
- Insert and secure cam locks (C) to panels (2,3) to lock them with the panel (1).

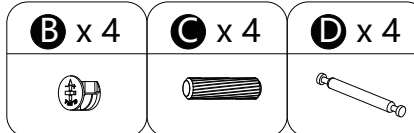
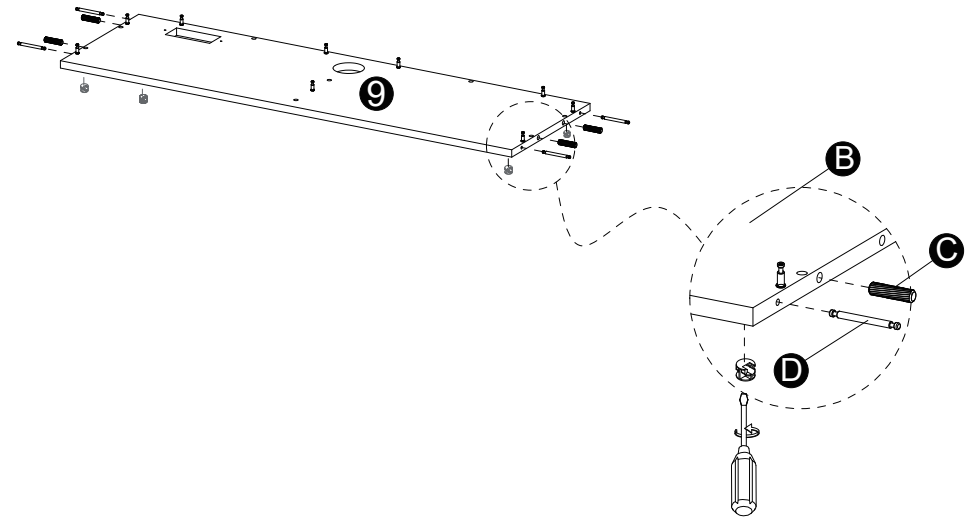
4



· Screw parts (A) into panels (9,10,11).

10

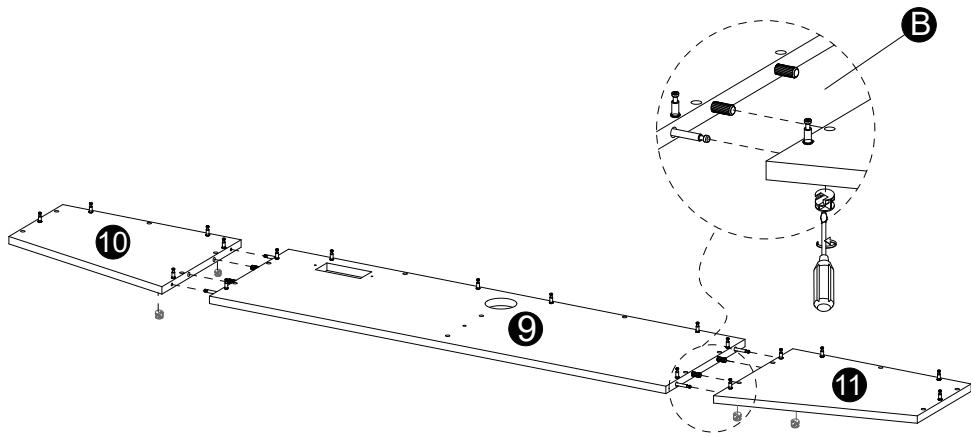
5



· Insert dowels (C) into panel (9).
 · Then insert cam locks (B) to panel (9).
 · Then insert parts (D) into panel (9).
 · Then secure the cam locks (B) to lock parts (D).

11

6

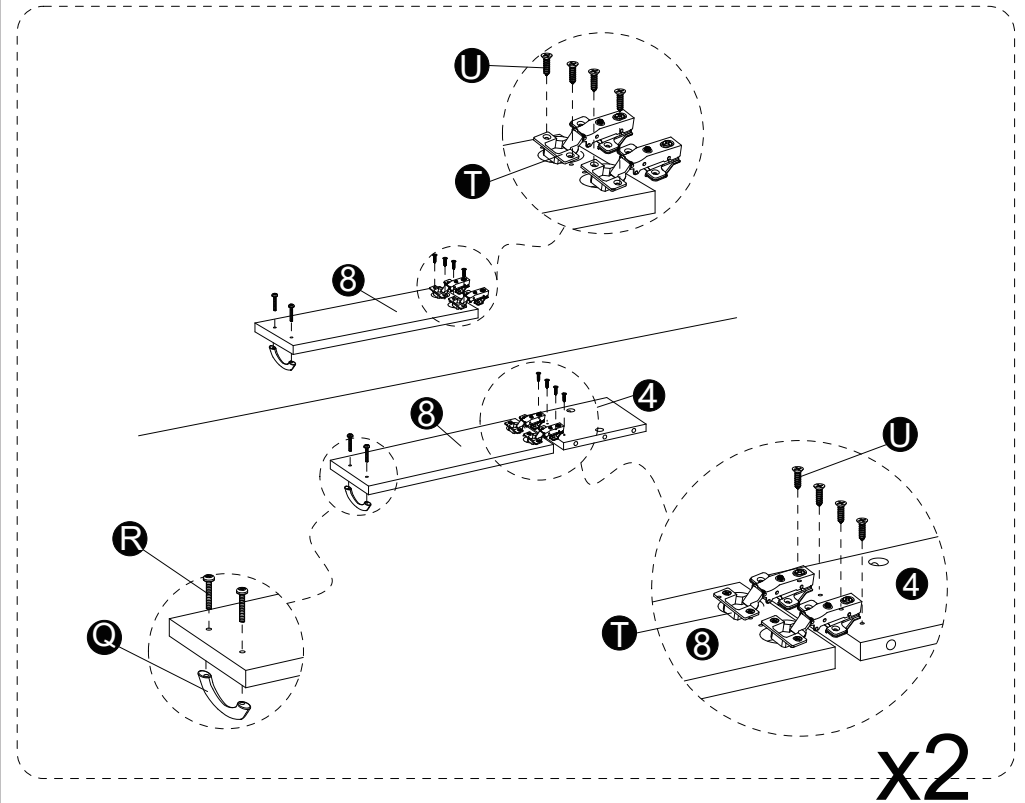


B x 4



- Attach panels (10,11) to panel (9).
- Insert and secure cam locks (C) to panels (10,11) to lock them with the panel (9).

7



- Attach handle (Q) to panel (4) using screws (R)
- Attach part (T) to panel (8) using screws (U)
- Attach panels (4) to panel (8) using screws (U)

Q x 2



R x 4



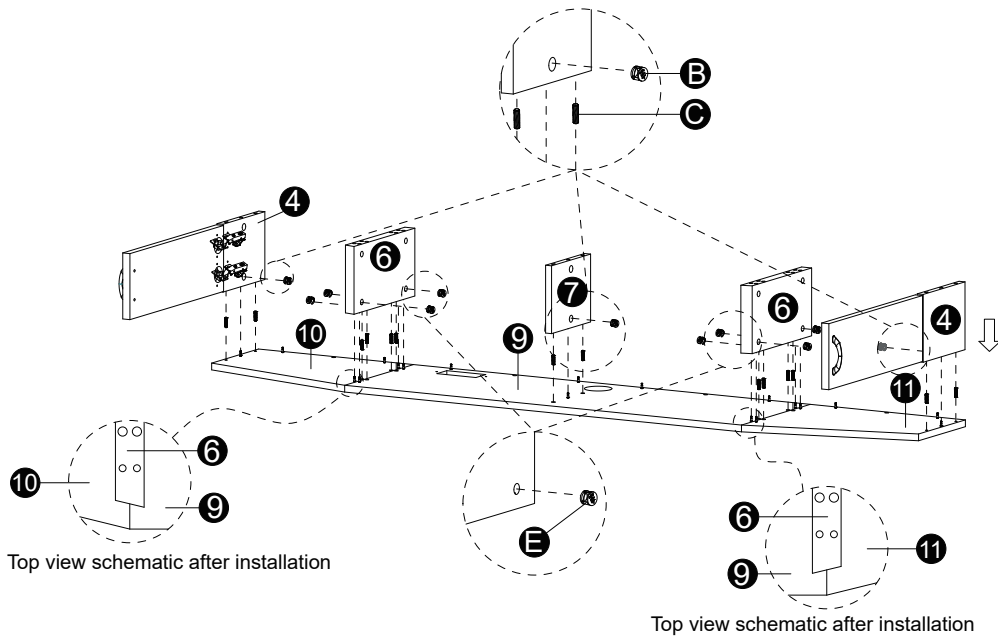
T x 4



U x 16



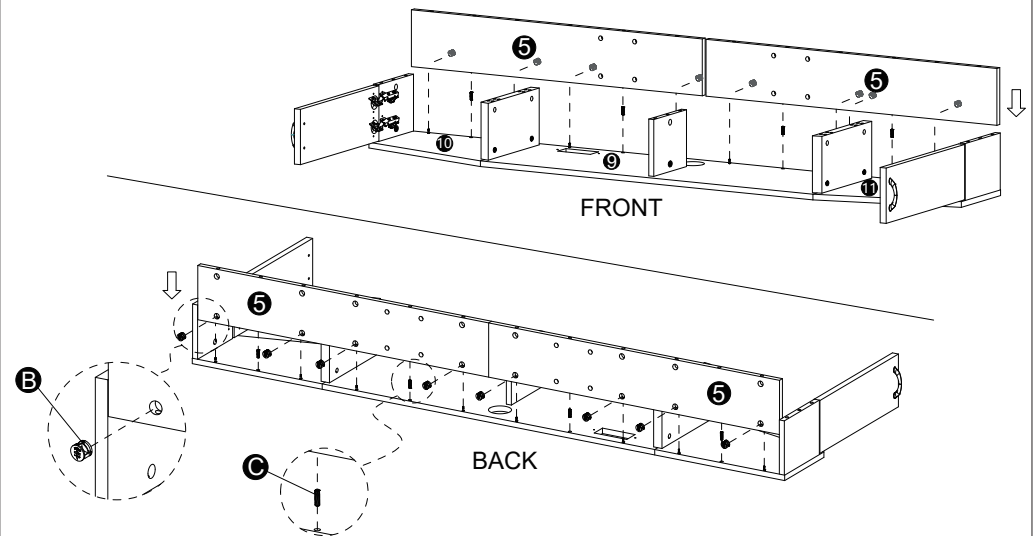
8



- Attach panel (4,6,7) to panel (9,10,11).
- Insert and secure cam lock (B,E) to panels (4,6,7) to lock it.
- Then secure cam cover (F) on cam lock (B,E).

| | | | |
|--------------|---------------|--------------|---------------|
| B x 3 | C x 14 | E x 8 | F x 11 |
| | | | |

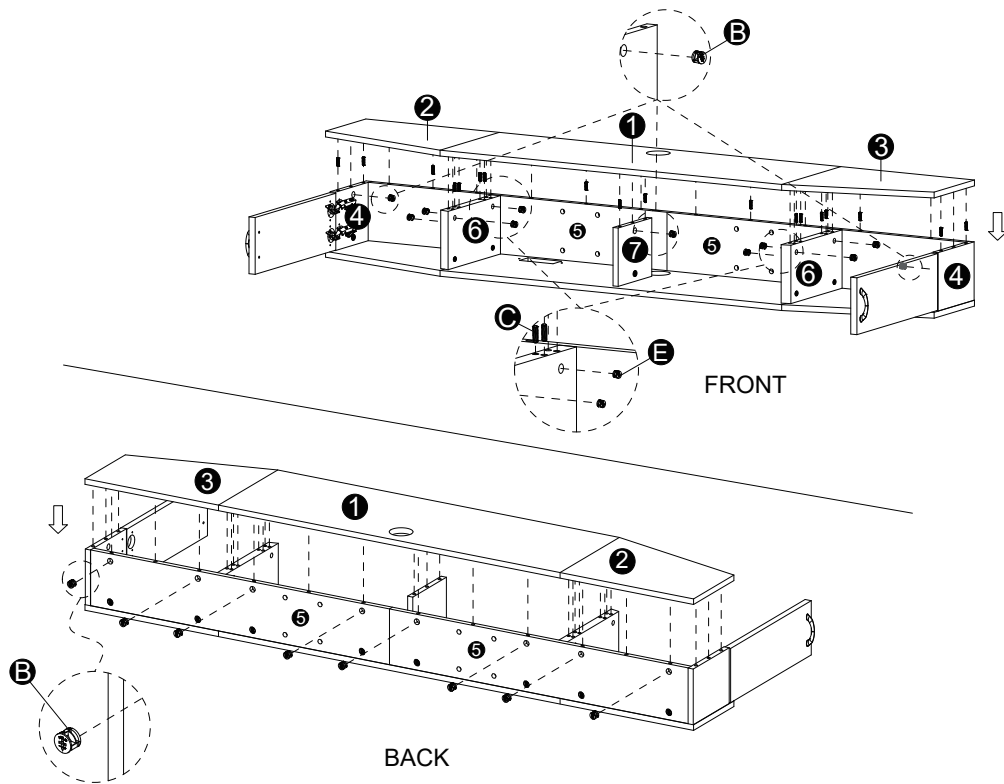
9



- Attach panels (5) to panels (9,10,11).
- Insert and secure cam locks (B) to panels (5) to lock it.

| | |
|--------------|--------------|
| B x 8 | C x 4 |
| | |

10

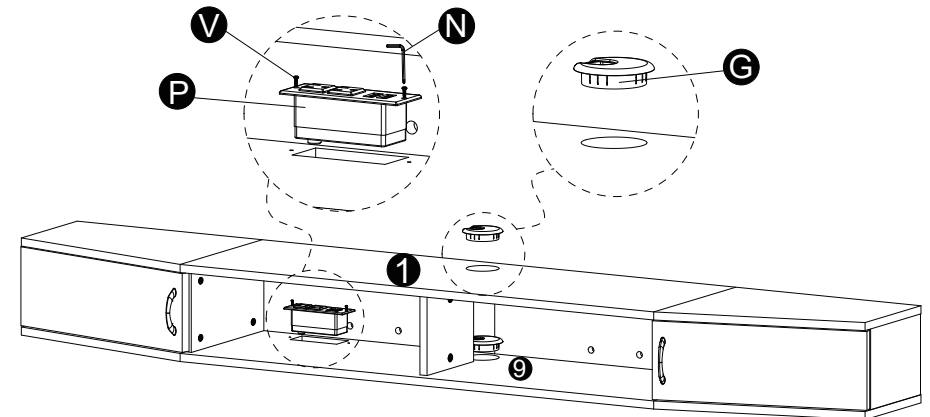


- Attach panel (1,2,3) to panel (4,5,6,7).
- Insert and secure cam locks (B) to panels (4,5,7) to lock it.
- Insert and secure cam locks (E) to panels (6) to lock it.
- Then secure cam cover (F) on cam lock (B,E).

| | | | |
|---------------|---------------|--------------|---------------|
| B x 11 | C x 18 | E x 8 | F x 11 |
| | | | |

16

11

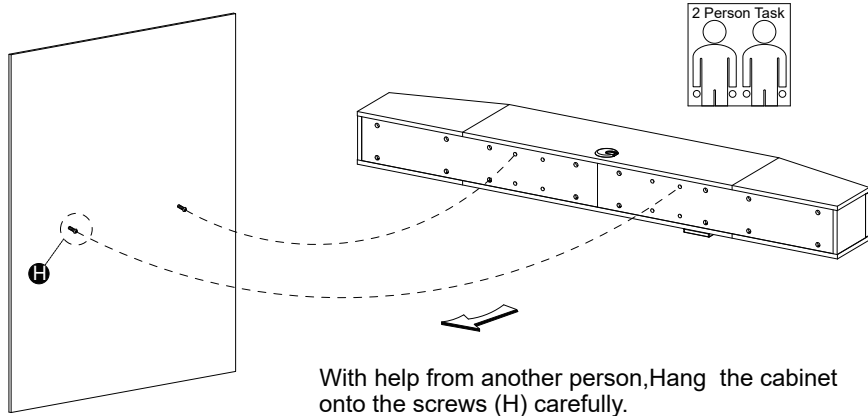


- Attach part (P) to panel (9) using screws (V).
- Insert parts (G) onto panels (1,9).

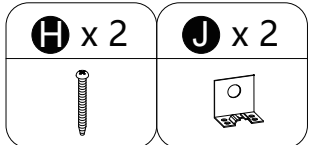
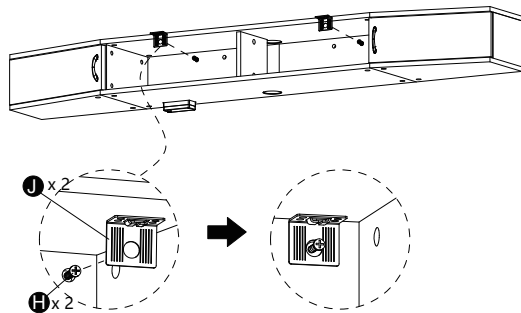
| | | | |
|--------------|--------------|--------------|--------------|
| G x 2 | N x 1 | P x 1 | V x 2 |
| | | | |

17

12

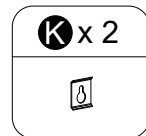
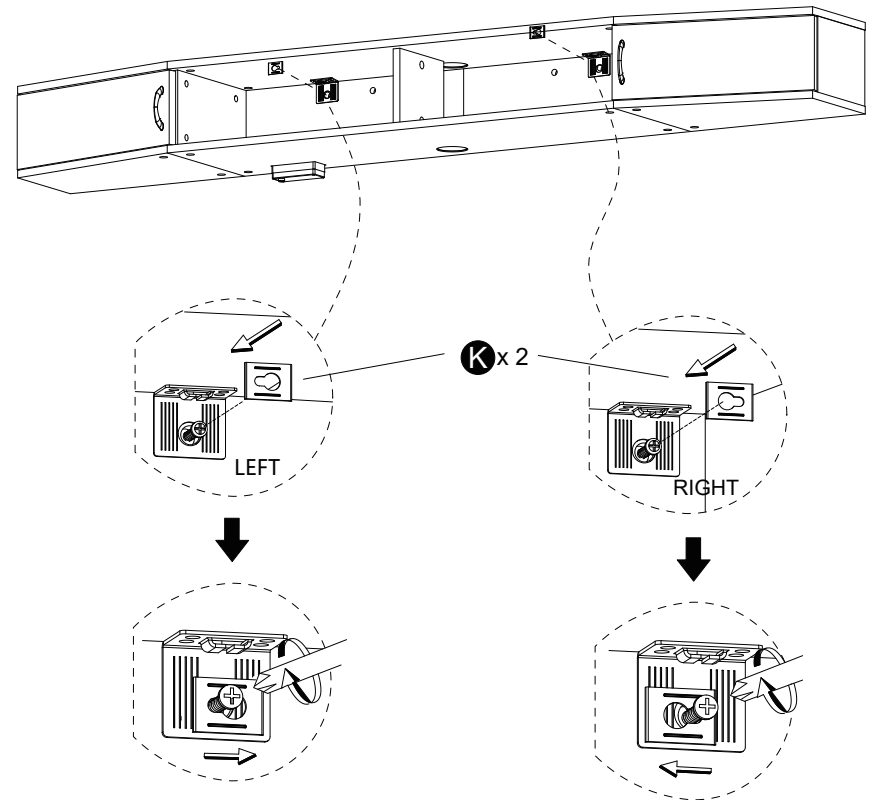


With help from another person, Hang the cabinet onto the screws (H) carefully.



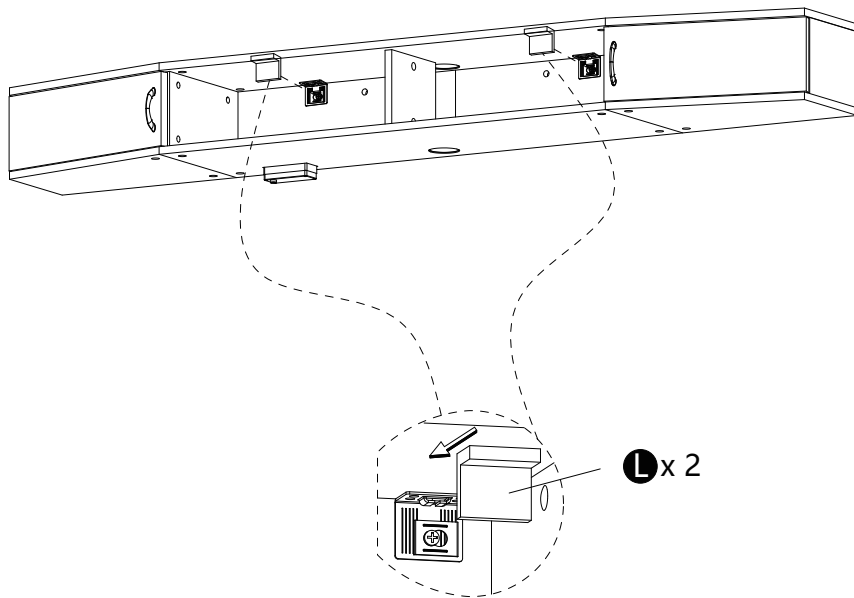
· Secure parts (J) onto screws (H).

13

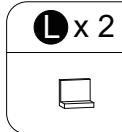


· Secure parts (K) onto the screws (H), then screws and tighten screws (H).
! Part (K) must be installed correctly to ensure safe use.

14

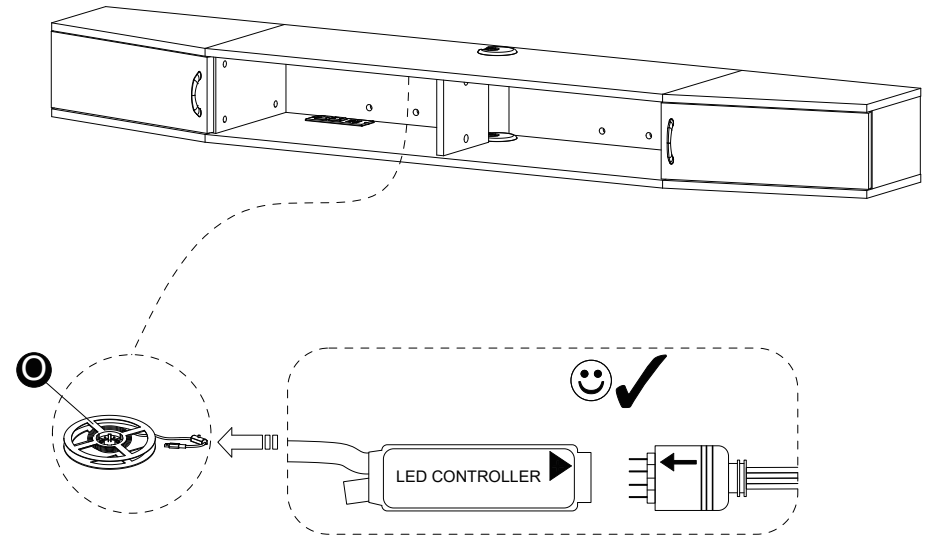


L x 2

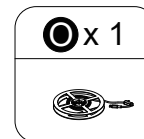


· Secure parts (L) onto the parts (K).

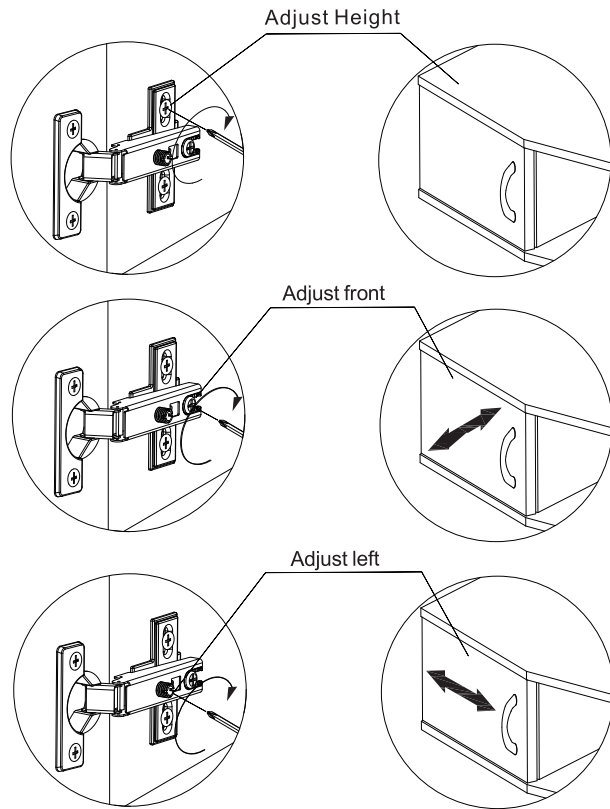
15



- Please clean the surface before installation.
 Step 1: Connect the LED controller and LED cable correctly.
 Step 2: Plug USB cable into your TV or socket.
 Step 3: Tear tape behind the light strip and stick anywhere you want.
 Note:
 1. Expose the LED controller when installing to avoid not being able to remote control.
 2. Light strip is non-waterproof.
 3. There are cutting marks on the light strip. Please follow the marks to cut the strip and get the perfect length you want. After cutting, the remaining part that is not connected to the power supply will be unusable

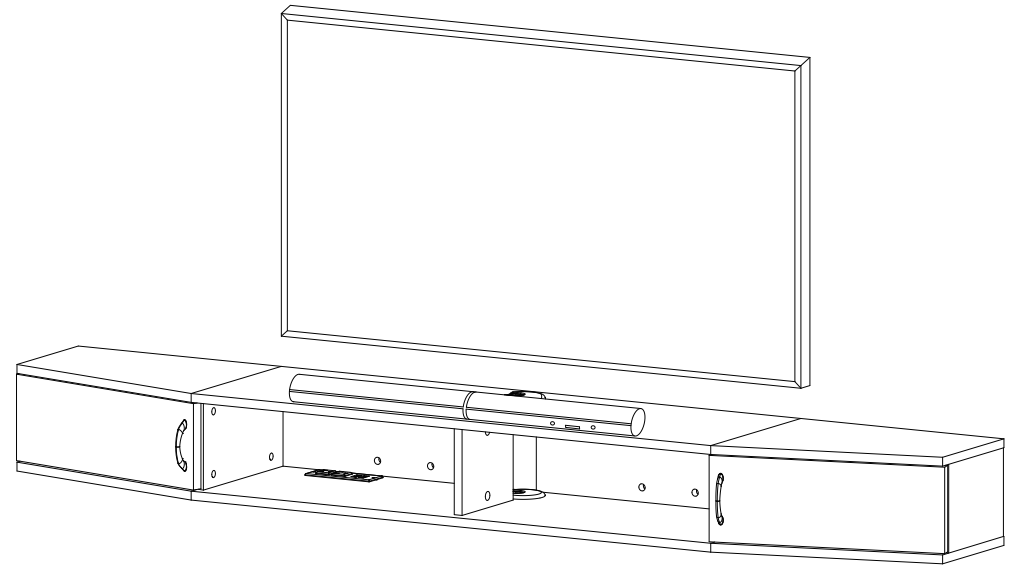


16



Tip: If you find that the door does not connect smoothly, you can adjust parts (T) to achieve a perfect connection.

17



Final Assembly