











COAST SEQUOIA INC

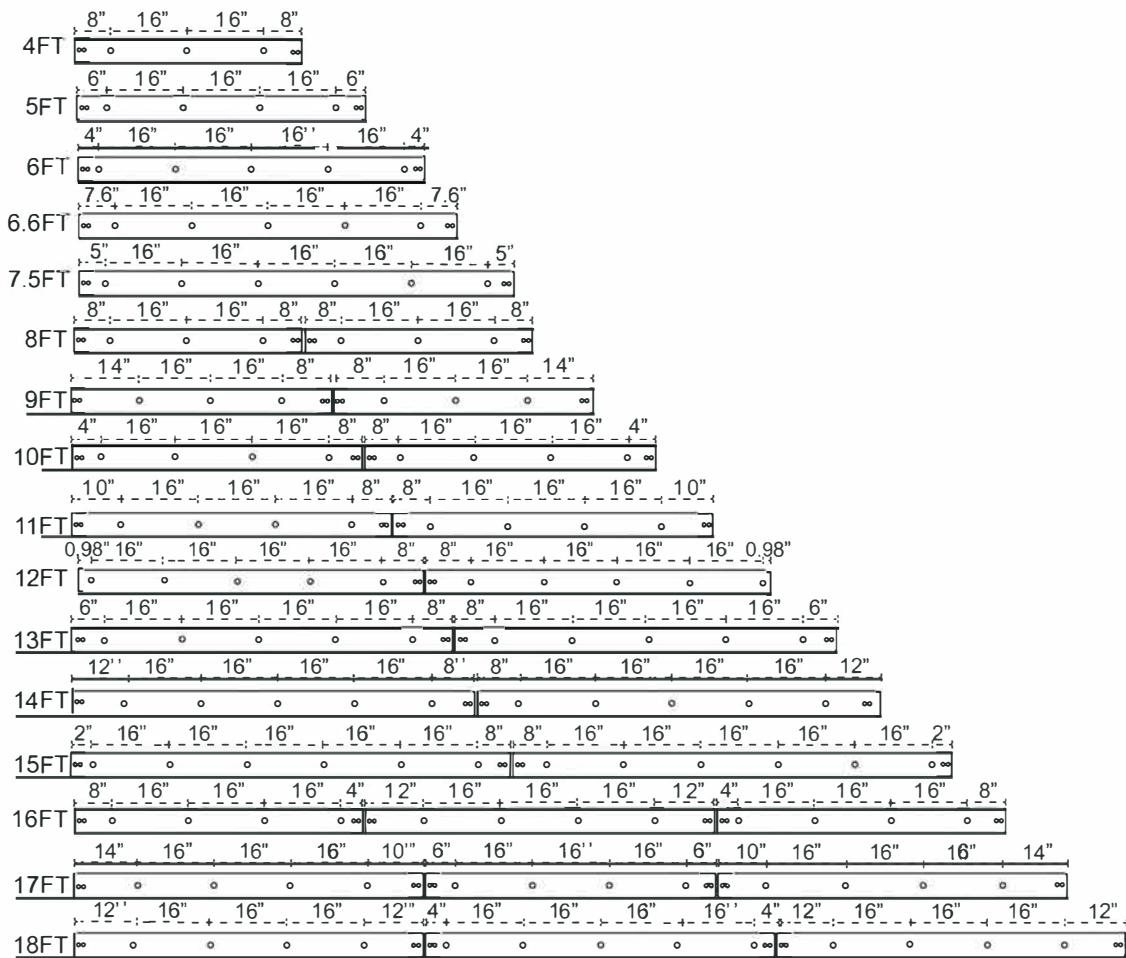
Single Sliding Door Hardware Installation Instruction

Email: info@coastsequoia.com
Website: www.coastsequoia.com

✳️Check the Quantities

Single Door Hardware Kit Includes																	
Part Name	picture	4FT	5FT	6FT	6.6FT	7.5FT	8FT	9FT	10FT	11FT	12FT	13FT	14FT	15FT	16FT	17FT	18FT
Flat Track		1	1	1	1	1	2	2	2	2	2	2	2	2	3	3	3
Steel Hanger		2	2	2	2	2	2	2	2	2	2	2	2	2	2	2	2
Anti-jump Pad		2	2	2	2	2	2	2	2	2	2	2	2	2	2	2	2
Floor guide		1	1	1	1	1	1	1	1	1	1	1	1	1	1	1	1
Door Stopper		2	2	2	2	2	2	2	2	2	2	2	2	2	2	2	2
Lag Bolt		3	4	5	5	6	6	6	8	8	10	10	10	12	12	12	13
Spacer		3	4	5	5	6	6	6	8	8	10	10	10	12	12	12	13
Junction Plate		0	0	0	0	0	1	1	1	1	1	1	1	1	2	2	2

✳️Chart: Track Junction



✳️Installation Tools



Ruler



Pencil



Drill



Level



Wrench

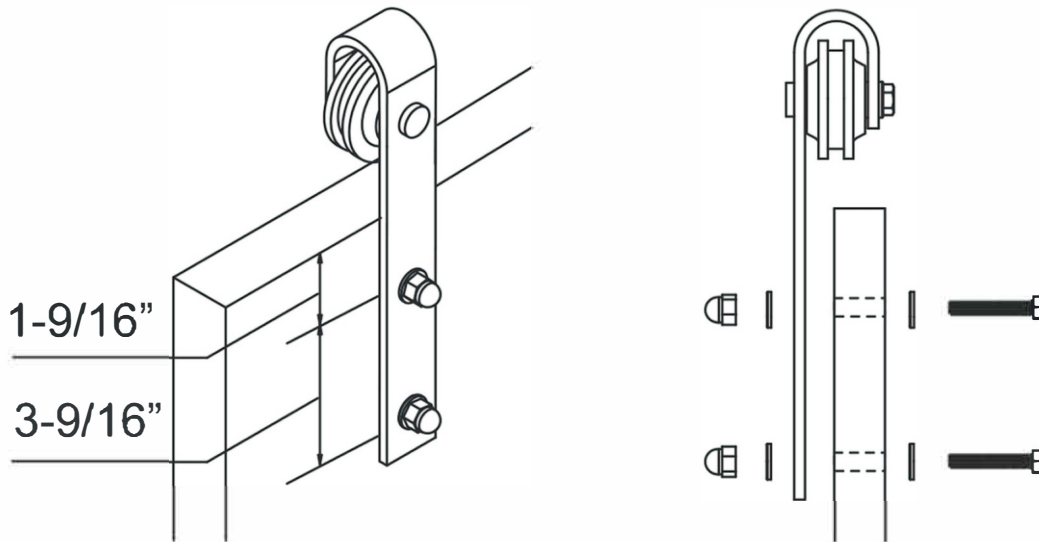


Ratchet

※Hardware Installation

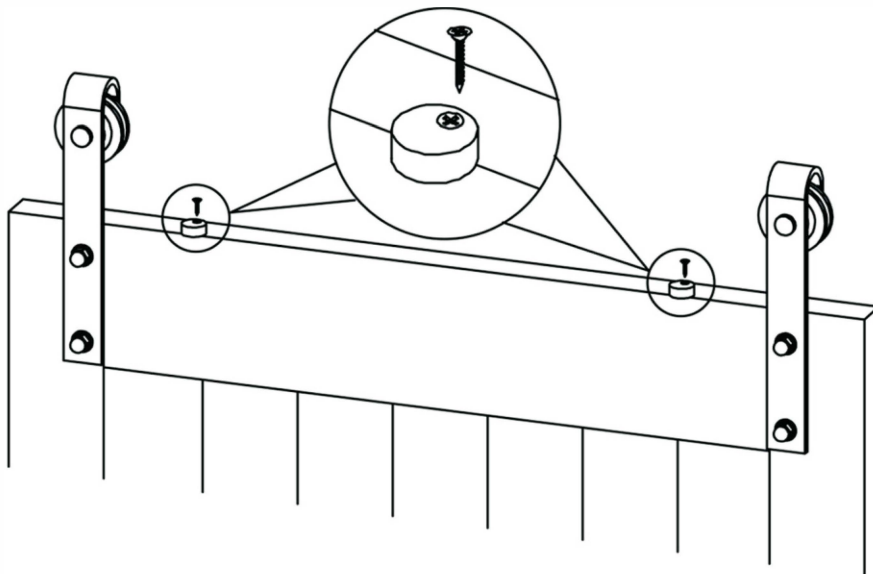
Step 1: Attach Steel Hangers to Your Doors

- a. Drill $7/16''$ holes at the distances from the top of the doors shown in the above chart. **Note:** The hanger bolts are inserted through the back of the door (i.e. the Hanger and Acorn Nuts attached to the front face of the door).
- b. Attach hangers with the hanger bolts, washers and acorn nut.



Step 2: Install Anti-Jump Pad

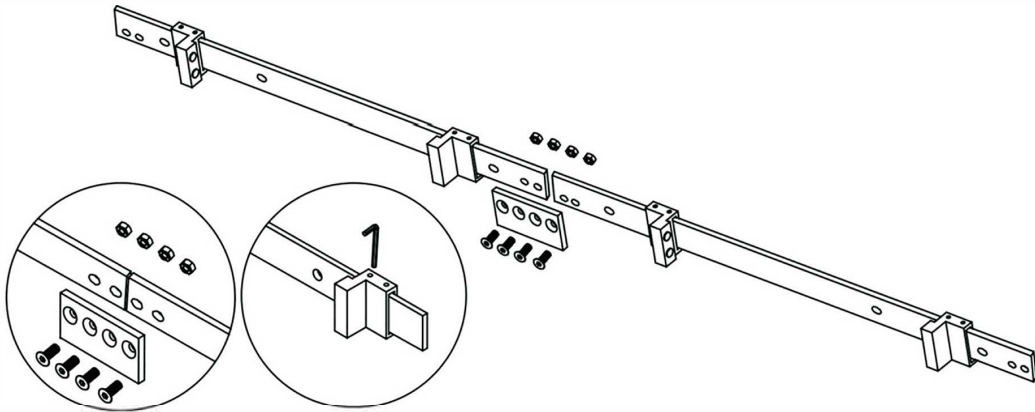
As shown in the illustration, the screw is near the front edge of the door (recommended : drill pilot hole to avoid splitting).
DO NOT overtighten at this point.



※Hardware Installation

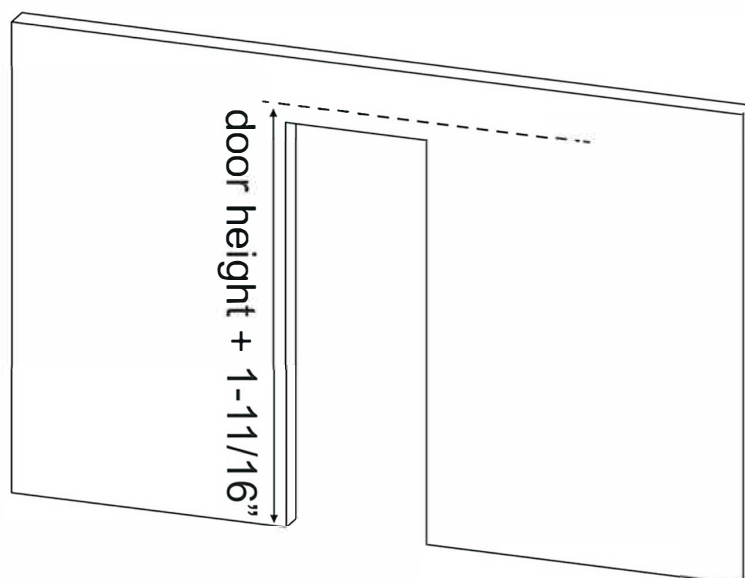
Step 3: Connect Tracks and Install Door Stoppers

- a. Connect your tracks with junction plates if needed.
- b. Loosely install the door stopper near each end of the track (final positioning will be determined at the end of the installation).



Step 4: Draw Lines for the Track

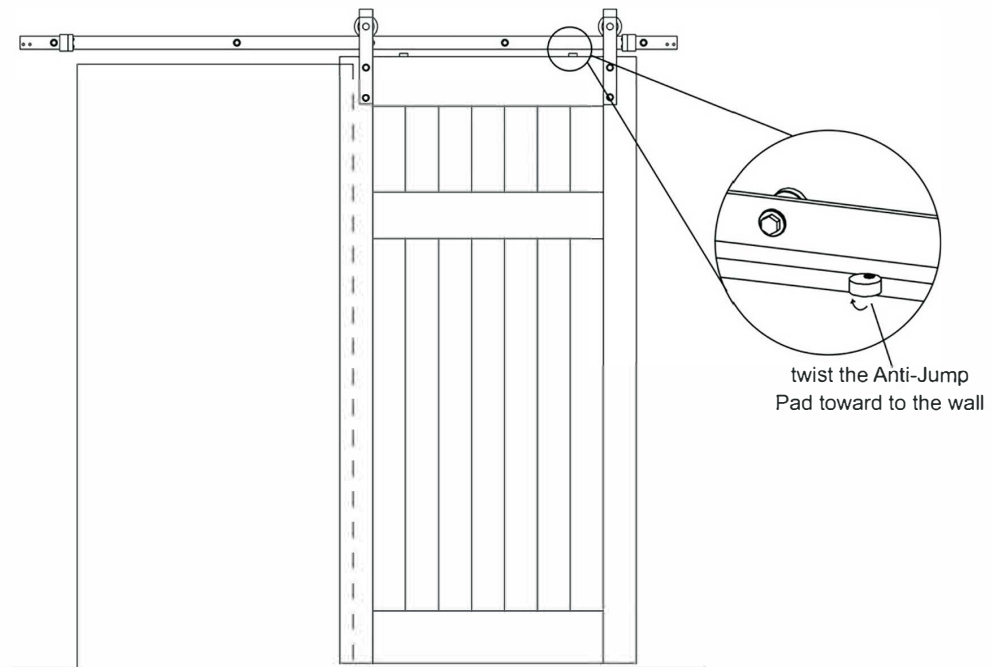
Use a level, and draw a draft line to install the track.
At the **door height + 1-11/16"** above.



※Hardware Installation

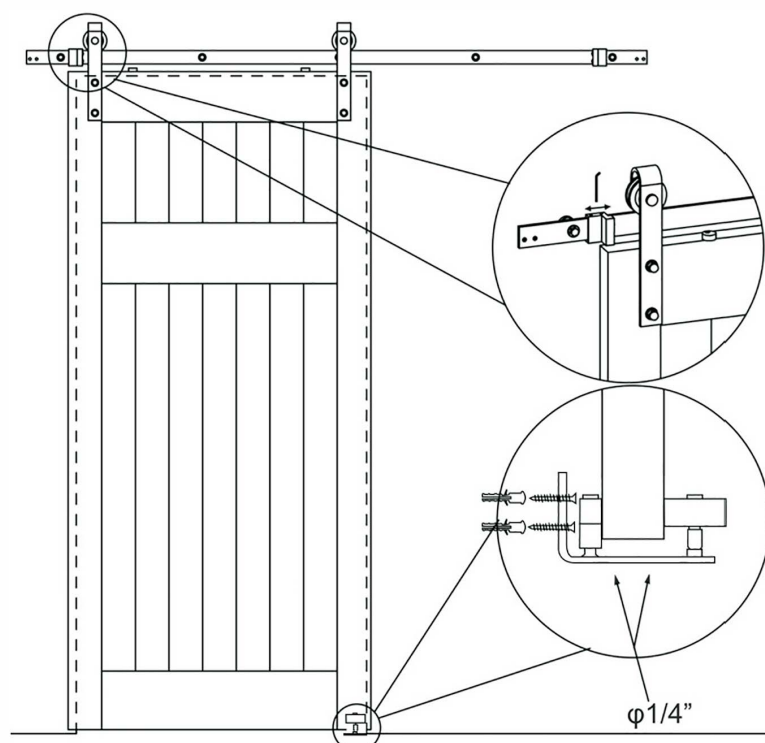
Step 7: Install the Door

Hang the door onto the track. And then twist the anti-jump pad towards the wall. So that it is under the track.



Step 8: Installing the Floor Guide

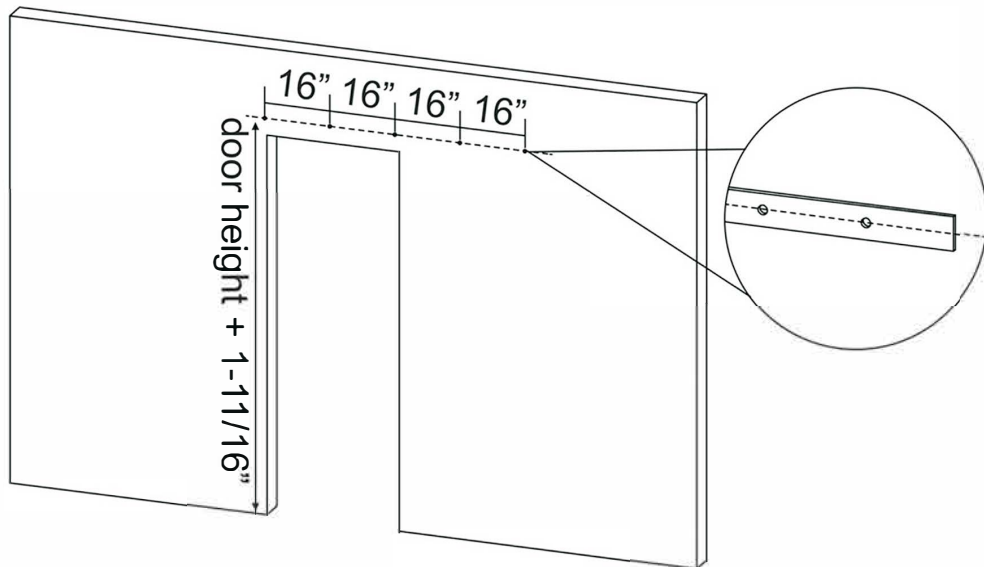
Position the door at your desired close position, put half of the floor guide under the door, mark the location, then fix guide to the floor. Position door(s) in your desired closed and open position and adjust the door stoppers.



※Hardware Installation

Step 5: Mark and Drill Track Holes

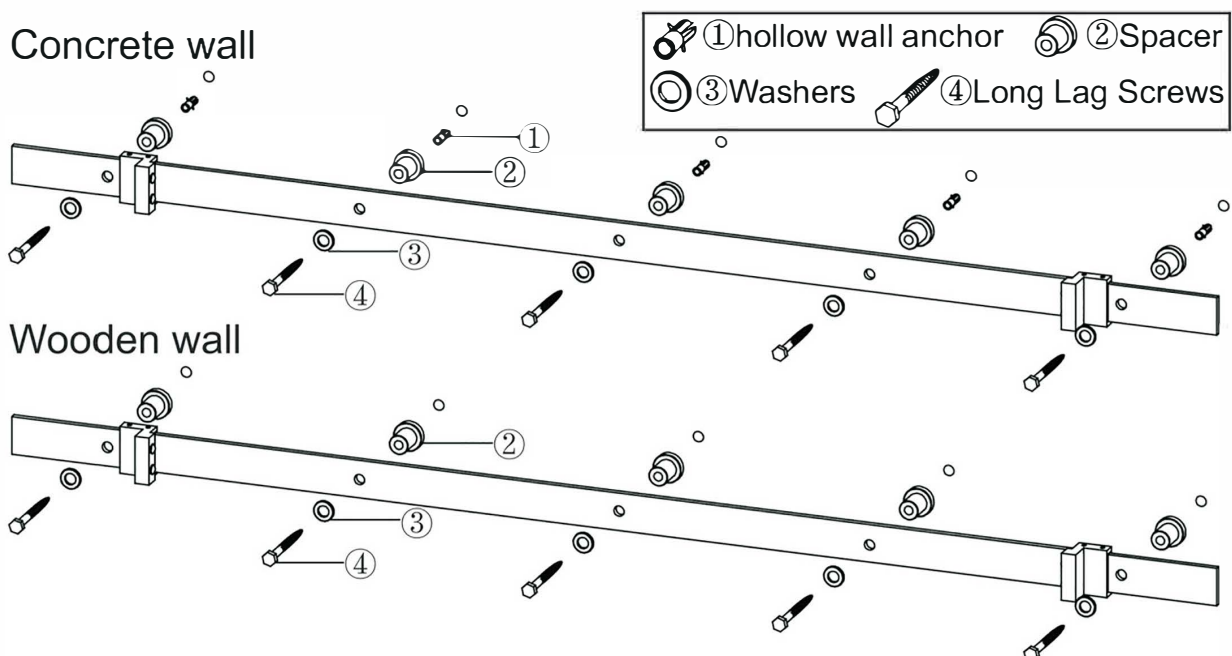
- Line up the track on a line and mark the location of the holes. Note: holes are 16" apart, line up with wall studs, if possible.
- Concrete Wall: Drill holes by using a 3/8" concrete drill bit.
- Drywall: Drill out the holes by using a 1/4" drill bit.



Step 6: Install the Track

Using the spacers, long lag screws, and washers (and hollow wall anchor if necessary), attach the track to the wall as shown below.

Tips: Loosely attach one end of the track with the other end resting on the ground. Then swing track up and attach other end. Lastly, fill in the middle holes.



 **WARNING**

Failure to wear proper safety gear (i.e., eye protection) may result injury or death. Always wear proper safety gear before using any power tools.

Improper operation of power tools may result in loss of control, serious injury or death. Always ensure you have complete control of the power tool and the work area is hazard-free before operating any power tools.

Lack of secure clamping of the door may result in unexpected movement of the door, loss of power tool control and serious injury or death. Always securely clamp the door in place before cutting or drilling the door.

Lack of, or improperly installed anti-jump pad may result in the door coming off the track and cause serious injury or death. Installation of anti-jump pads are required for safe operation of this hardware. Installed properly, these anti-jump pads will keep the door securely attached to the track.

 **CAUTION**

Mishandling of heavy objects (i.e., doors) may cause a los of balance and serious injury. Always be sure to have a secure hold on the object and are balanced before moving the object. Always wear safety shoes when lifting heavy objects.

Getting body parts (i.e., hair, fingers) caught in moving parts may cause pinching and serious injury. Do not put fingers in parts that may move and always remove or contain anything on your body that may become entangled with a moving part.

Closing sliding doors with your hand on the end of the door may result in your hand, or fingers, getting caught between the door and other solid objects (i.e., another door, molding) causing serious injury. Always use the door handle to close doors.

Usage Statement:

Use of excessive force when opening, and closing, the door(s) may result in damage to the hardware. Always hold the handle and gently open and close the door(s).

Warranty Statement:

1 year straight unconditional warranty service enables every single hardware's durability coverage during its life time.