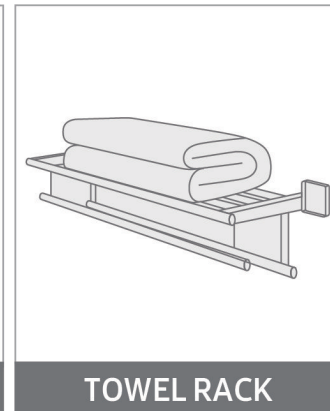
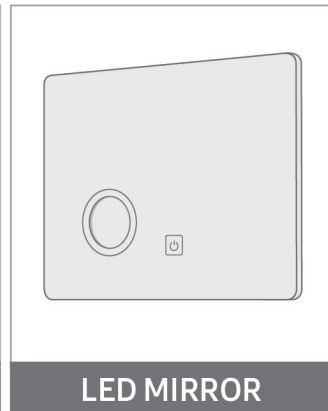
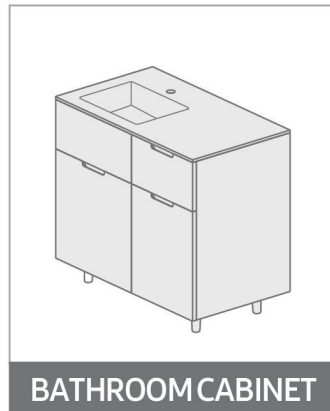
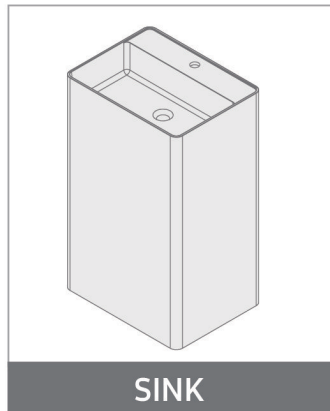
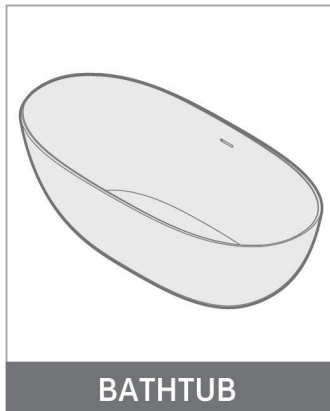


1. product description

Well known that artificial stone is a scientific and environmentally friendly composite material which is widely used in the building industry due to its non-toxic, non-radioactive and zero formaldehyde, that's why artificial stone bathroom products have met with great favor all over the world. Compared with other materials such as acrylic (plastic), artificial stone has better performance that resists fractures at much lower and higher temperatures.

Like many of artificial stone products, the artificial stone bathtub is made by one-piece molding technology which means the oil and coffee or other liquids can not penetrate into the bathtub and surface, will not turn yellow after 8 - 10 years using. Further more, the size and shape of the artificial stone bathtub can be customized based on buyer's demands. Most importantly, it's equipped with many functions like high temperature resistant, impact resistant, compression resistant, easy to clean and repairable.

2. Brand Catalog



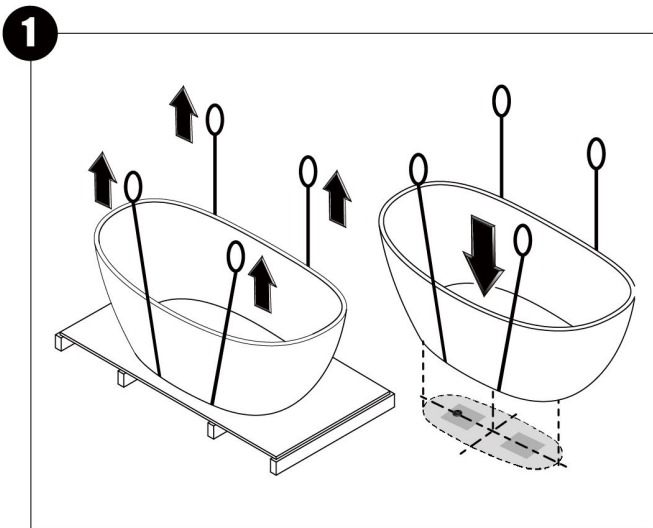
3. Certification

SGS

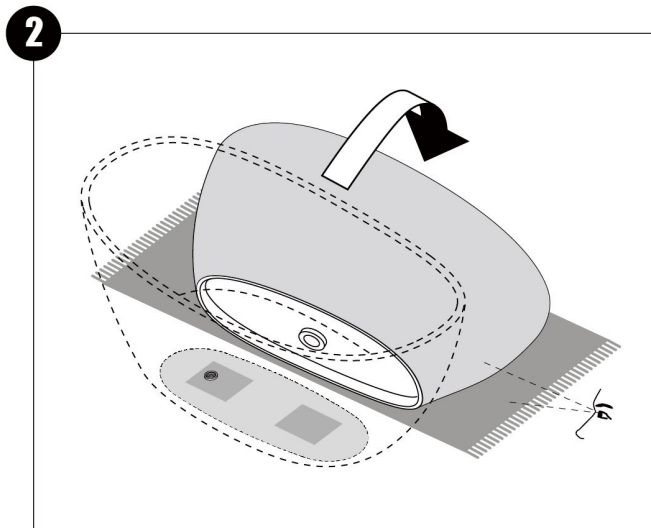
ISO



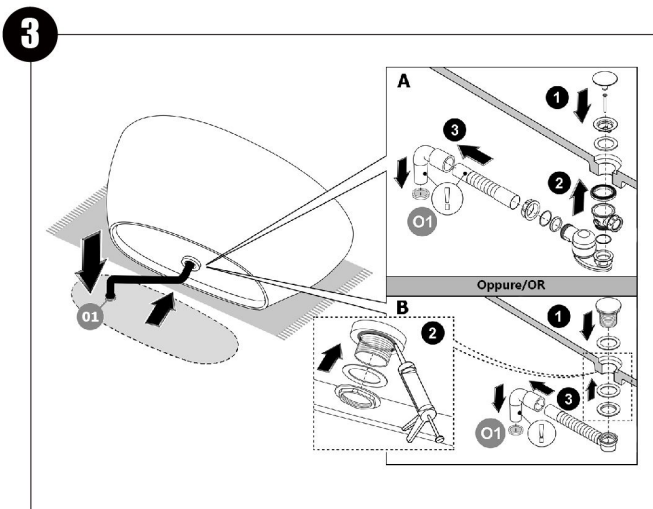
Freestanding Bathhtub Installation Steps



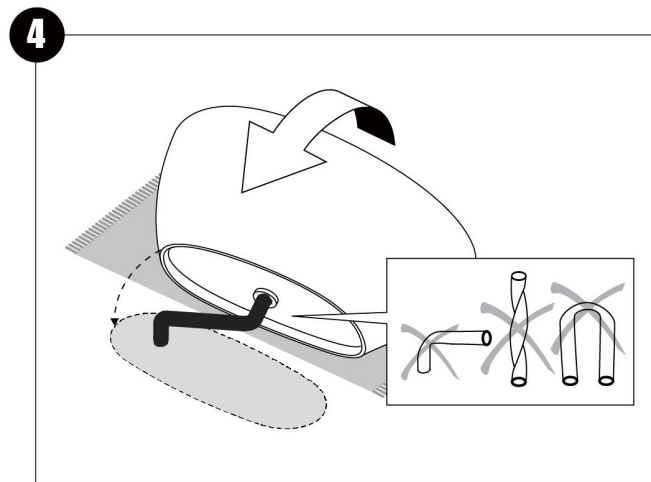
1. Place the bathtub in the installation position.



2. Put soft objects on the ground. It is best to be a yoga mat. Then put the sides of the bathtub down. Prevent the bathtub from scratching.



3. Install the water pipe according to the schematic diagram, and then confirm whether the water pipe is connected properly and will not leak. Finally, insert the water pipe into the floor drain.



4. Place the bathtub in a fixed position, complete the installation.
Note: After installation, release some water and check whether the pipes leak.