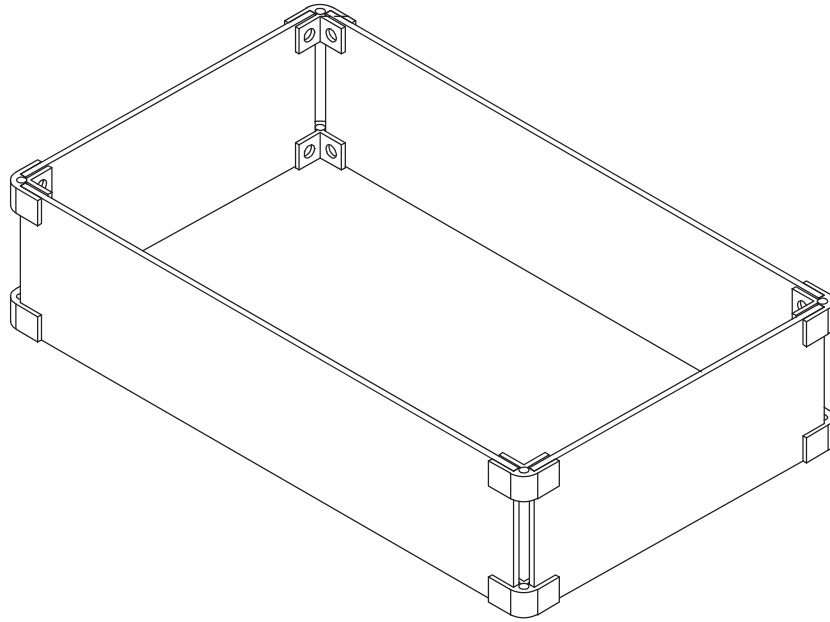
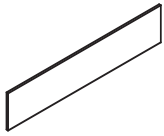
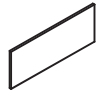


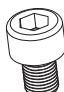




ASSEMBLY INSTRUCTIONS



Parts List

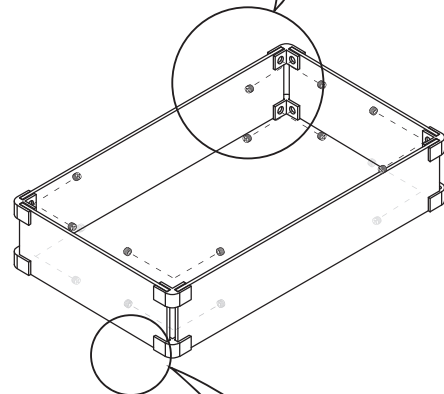
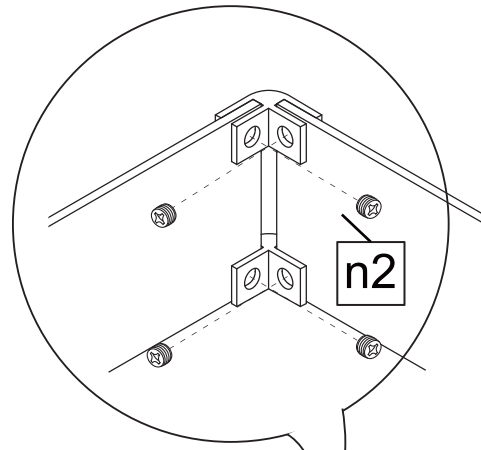
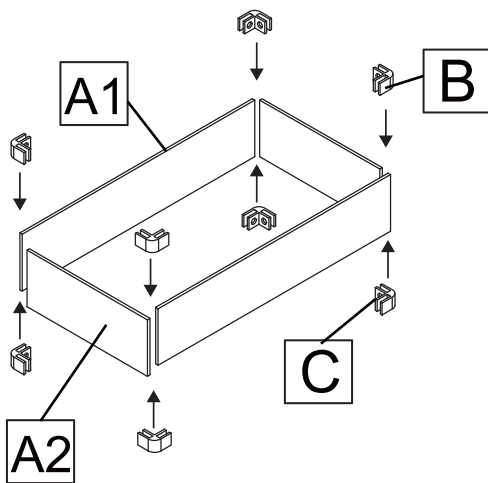
A1	A2	B	C	n1	n2	F
						
2X	2X	4X	4X	4X	16X	1X
Long glass panel	Short glass panel	Upper connector	Below connector	M6*8 Screw	Screw	Wrench

Note:

The Connectors(#B & #C) and Glass panels must stay on the same plane, the hole in below connector(#C) should be face down.

STEP1

Take out 2 of the Glass panels(#A1, #A2) and place them as the diagram shows at right angles. Insert a Below connector(#C) and an Upper connector(#B), then fix them separately with Screw(#n2) at the correct position.



STEP2

Fix the other three corners in the same way the M6X8 Screw(#n1) into the holes in Below connectors(#C).

