

ASSEMBLY INSTRUCTION

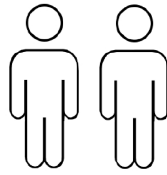
QUEEN



+ Do Not Use Power Tools



+ Suggested Adults



NOTE:

- 1 Read instructions cover to cover.
- 2 Save all packaging until assembly is completed.

1 IMPORTANT SAFETY INFORMATION

Do not assemble the product if any of the following parts arrived damaged:

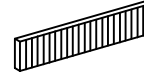
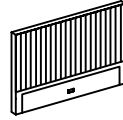
- Part # - Side Rails
- Part # - Center Support Bar
- Part # - Support Legs
- Part # - Slats

2 IMPORTANT ASSEMBLY INFORMATION

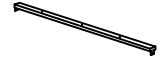
Assembly Step Ensure the side rail bracket is fully hooked onto bolt loosely threaded with both washers on the **OUTSIDE** of the bracket first, then proceed to fully tightening all 4 corners.

+ Parts Included

- ① Headboard (1 of pc) ② Footboard (1 of pc) ③ Slat 14 Pcs (1 of pc)



- ④ Legs (4 of pcs) ⑤ Side Rail (2 of pcs) ⑥ Center Rail (1 of pc)



- ⑦ Support Legs (3 of pcs)

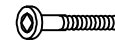


+ Hardware Included

- A Allen Key M5 x 70mm (1 of pc) B Allen Key M4 x 65mm (1 of pc) C Flat Washer (24 of pcs)



- D JCBB M8x20mm (8 of pcs) E JCBC M6x40mm (3 of pcs) F CSK M3.5x16mm (6 of pcs)



- G CSK M4x25mm (2 of pcs) H CSK M4x32mm (47 of pcs) I Big Adjuster (3 of pcs)



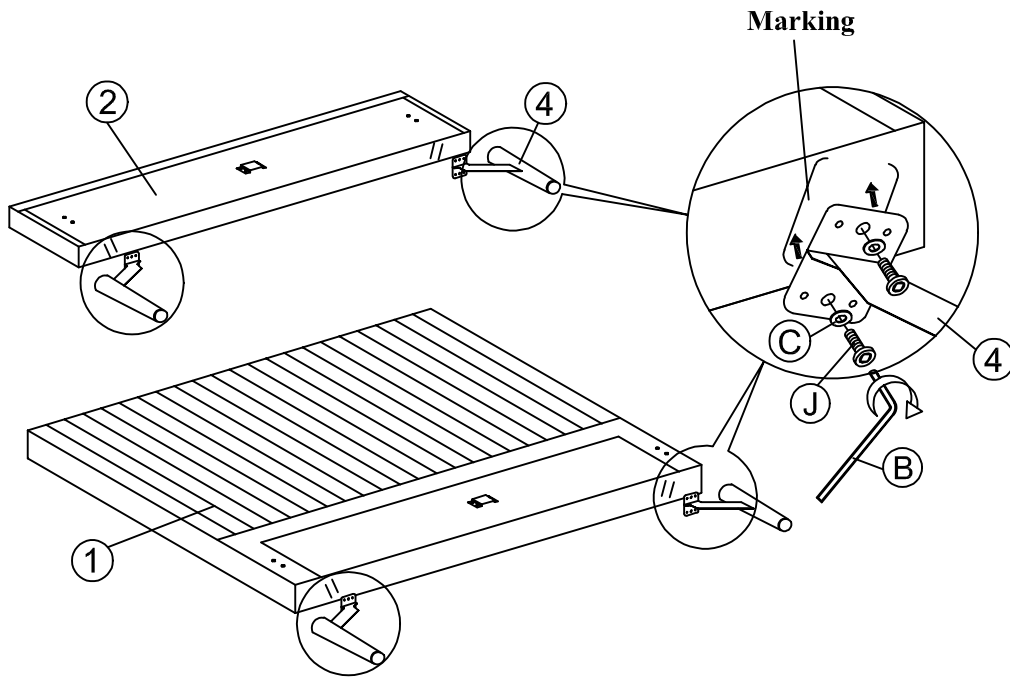
- J JCBC M6x30mm (4 of pcs)



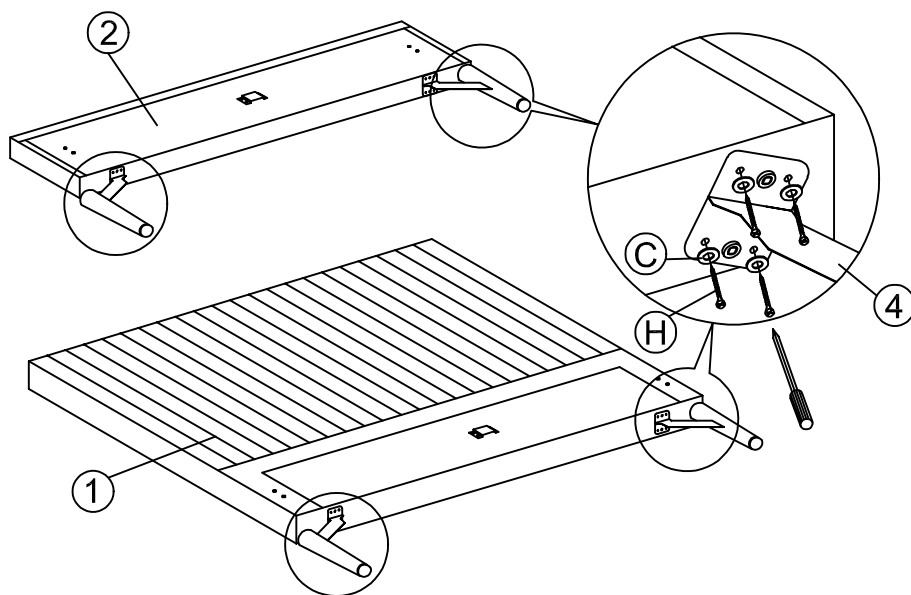
ASSEMBLY INSTRUCTION

QUEEN

1



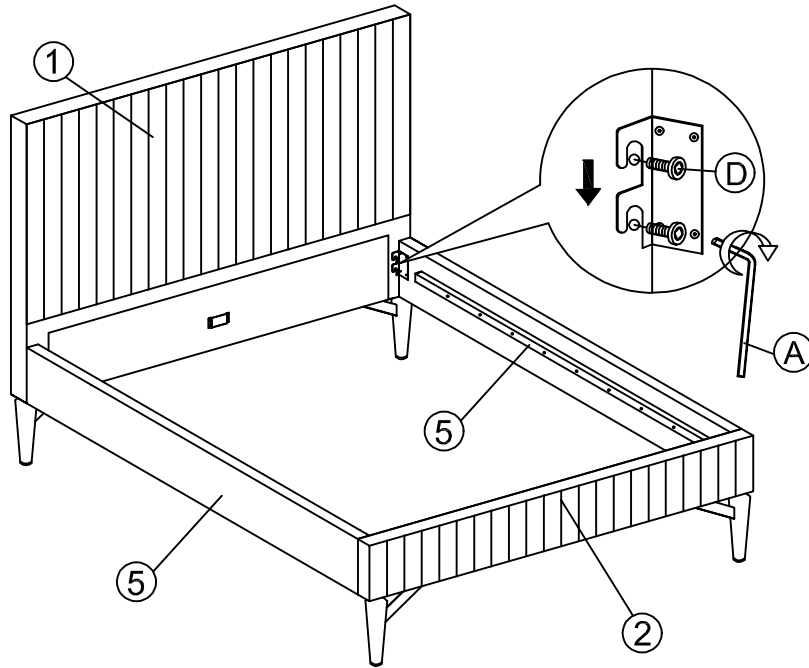
2



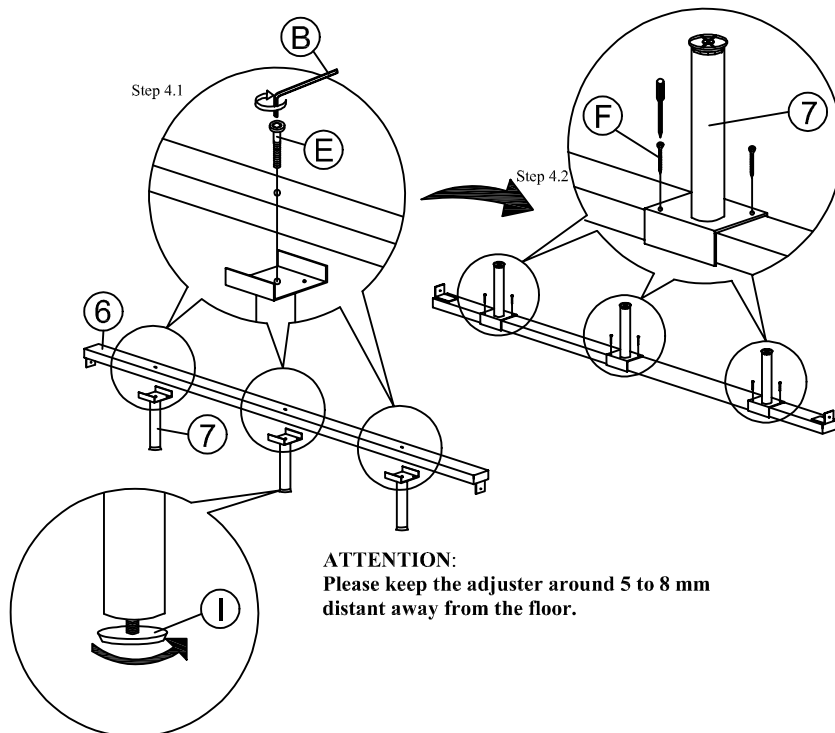
ASSEMBLY INSTRUCTION

QUEEN

3



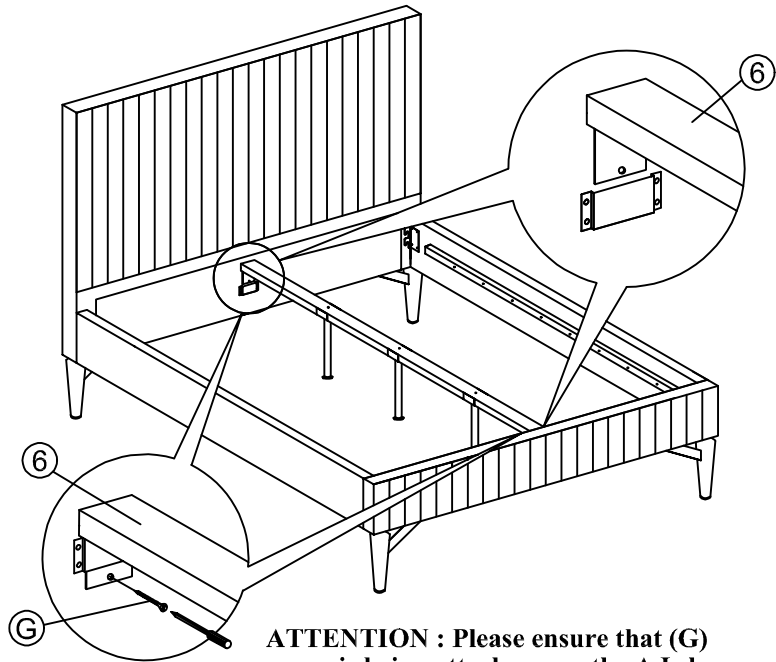
4



ASSEMBLY INSTRUCTION

QUEEN

5



ATTENTION : Please ensure that (G) screw is being attach as per the A.I shown to avoid base being collapse .

6

