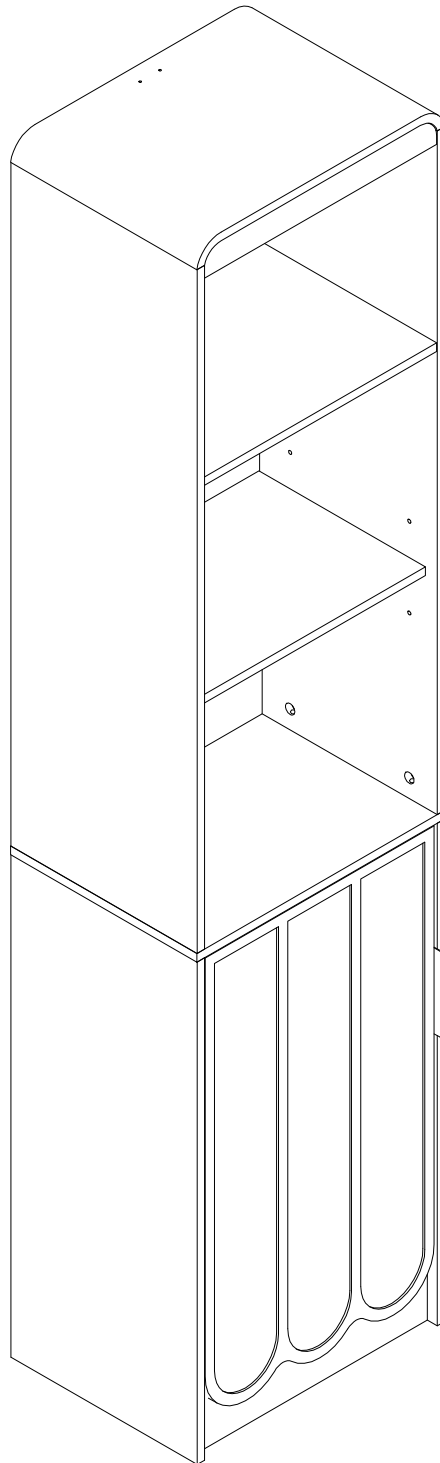


Assembly Instructions

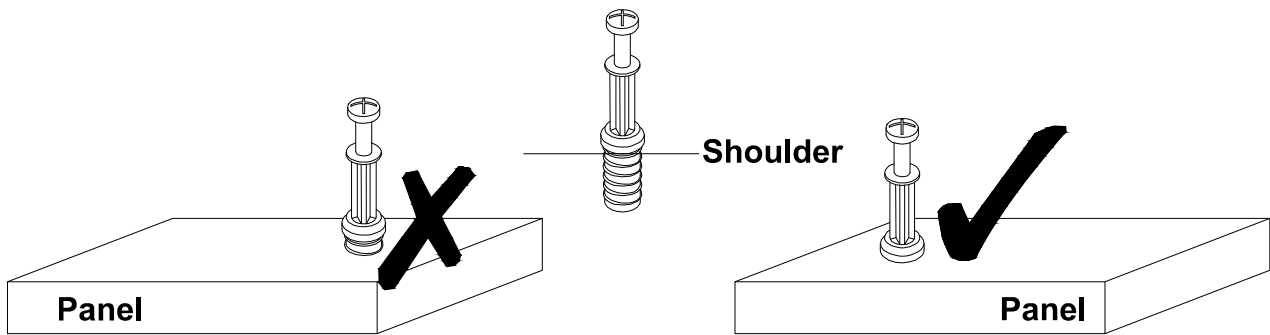


Before Assembly

Tips Before Your Start:

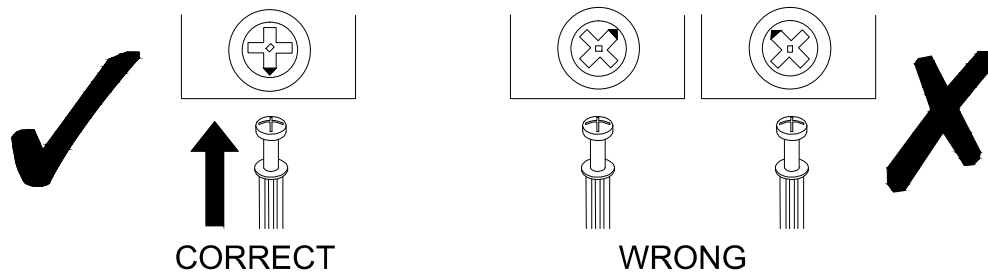
- Remove all wrapping material, including staples & packing straps before you start to assemble.
- DO NOT tighten all screws and bolts until the assembly is completely assembled.
- Keep all hardware parts out of reach of children.

QUICKFIT



Tighten quickfit until shoulder is flush with panel. Do not overtighten or undertighten.

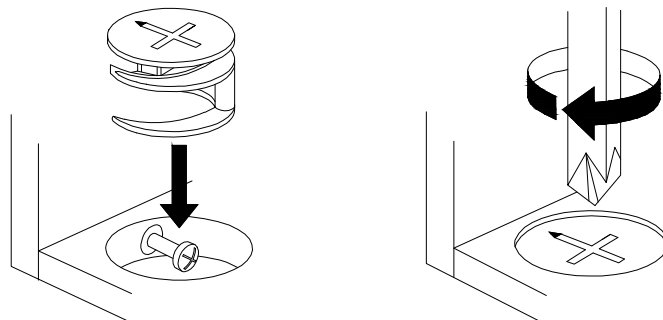
CAM LOCK



When fitting a cam lock, ensure the starting position is correct before inserting the connecting QUI CKFIT

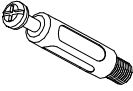


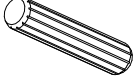
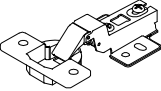
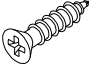
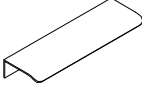
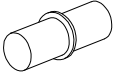

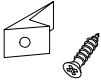
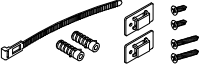
Quickfit head should be in the centre of the cam lock when the two panels are joined.

Cam lock should be inserted before quickfit.

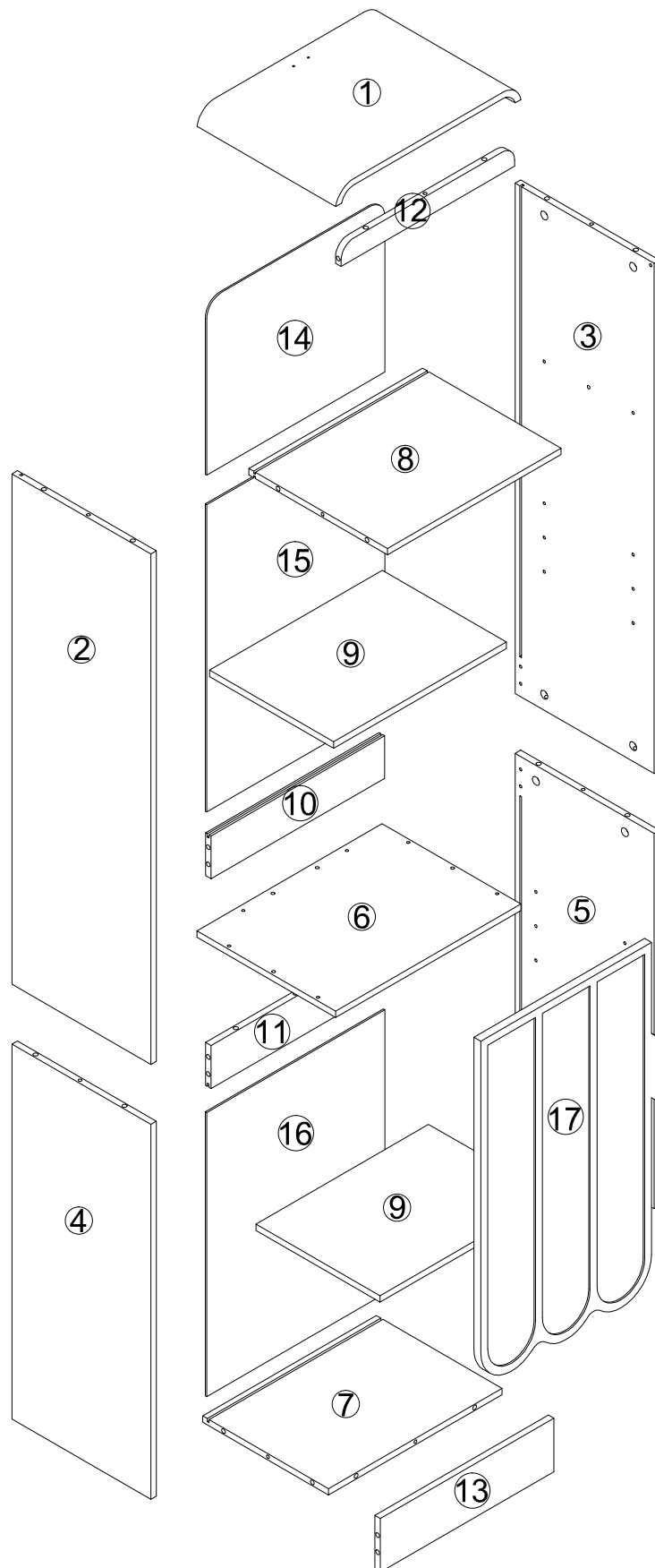


Turn cam lock clockwise to tighten.

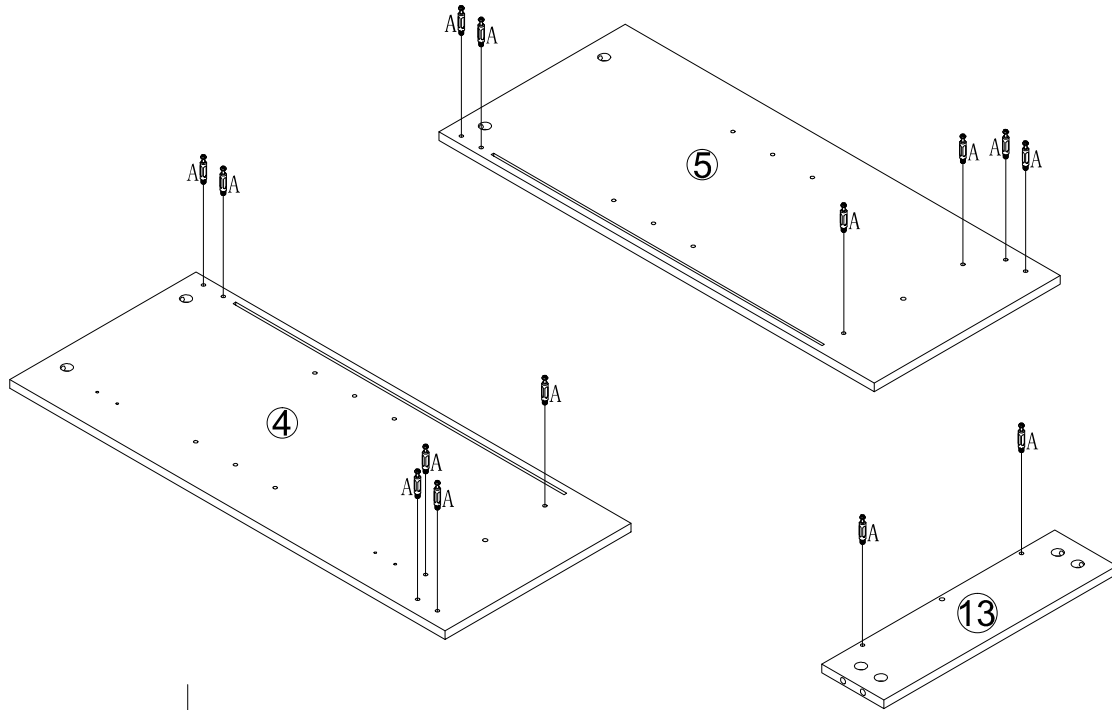
Part List

<p>No. A Quantity:42 Pcs Cam Lock Dowel 8*28mm</p> 	<p>No. B Quantity:42 Pcs Cam φ15</p> 	<p>No. C Quantity:42 Pcs Sticker Ø20</p> 	<p>No. D Quantity:15 Pcs Dowel 6*30mm</p> 
<p>No. E Quantity:2 Pcs Hinge</p> 	<p>No. F Quantity:14 Pcs Screw M3.5*12mm</p> 	<p>No. G Quantity:1 Pcs Handle</p> 	<p>No. H Quantity:8 Pcs Shelf Support M5*15mm</p> 
<p>No. I Quantity:4 Pcs Foot Pad Ø15</p> 	<p>No. J Quantity:10 Sets Plastic Wedge</p> 	<p>No. K Quantity:1 Sets Anti-falling Parts</p> 	

Product structure



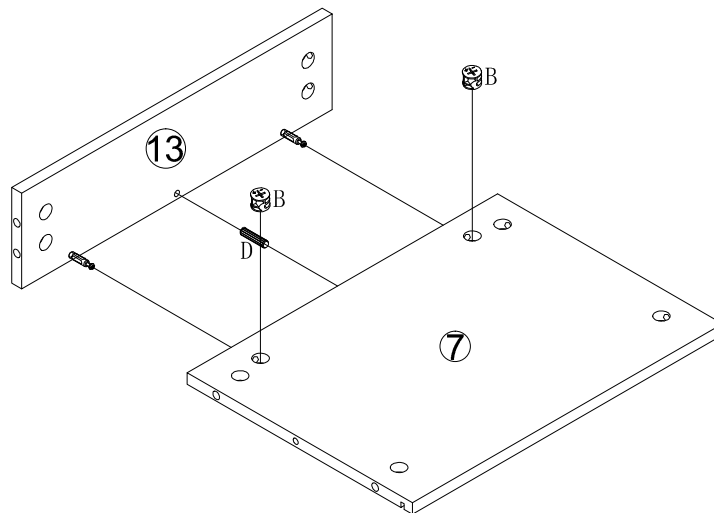
STEP 1



No. A
Quantity: 14 Pcs
8*28 mm



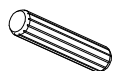
STEP 2



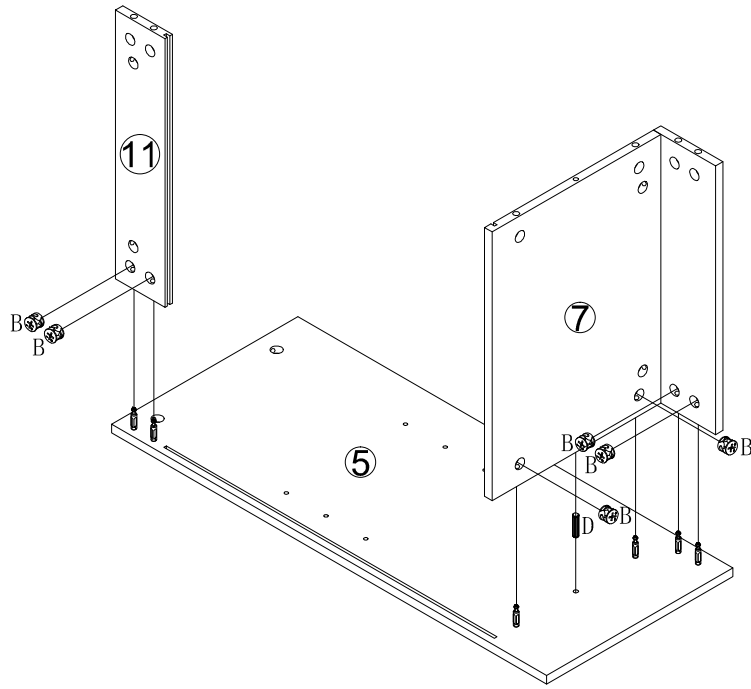
No. B
Quantity: 2 Pcs
Ø15



No. D
Quantity: 1 Pcs
6*30mm



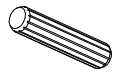
STEP 3



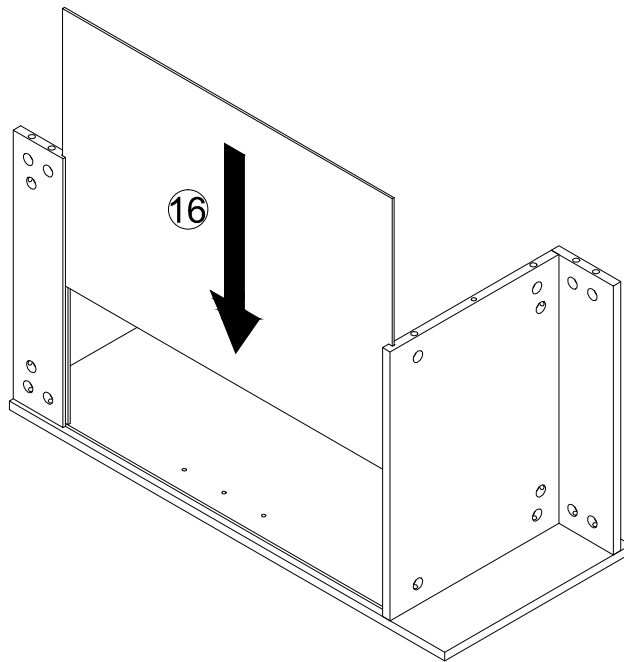
No. B
Quantity: 6 Pcs
Ø15



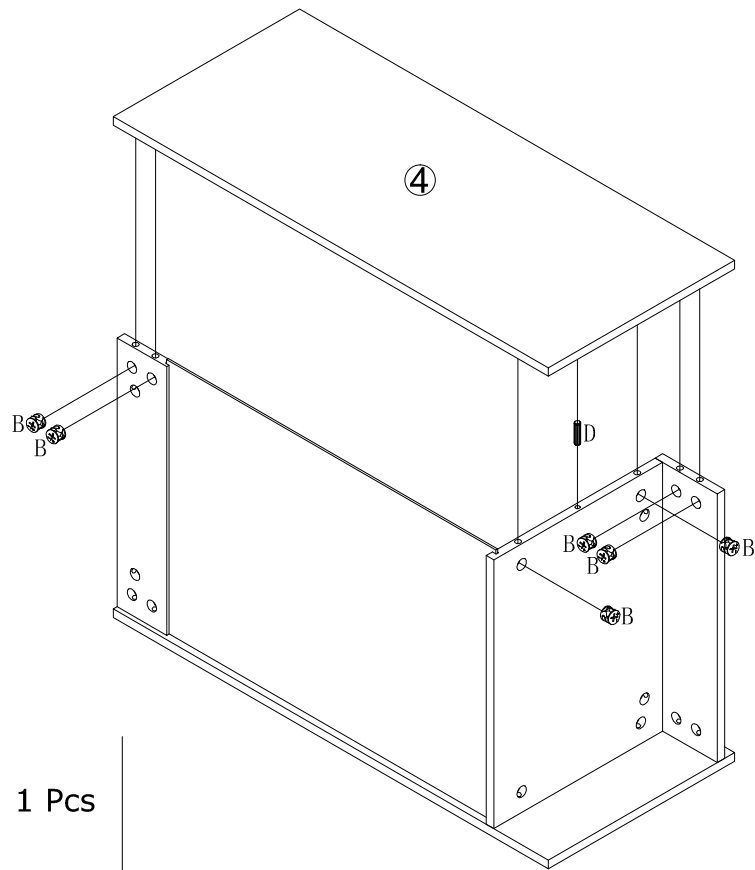
No. D
Quantity: 1 Pcs
6*30mm



STEP 4



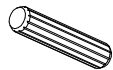
STEP 5



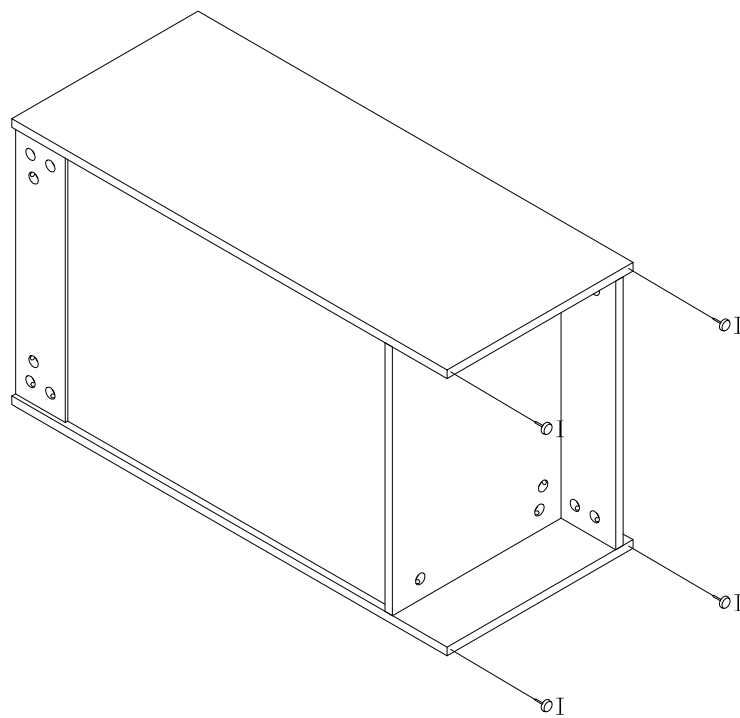
No. B
Quantity: 6 Pcs
Ø15



No. D
Quantity: 1 Pcs
6*30mm



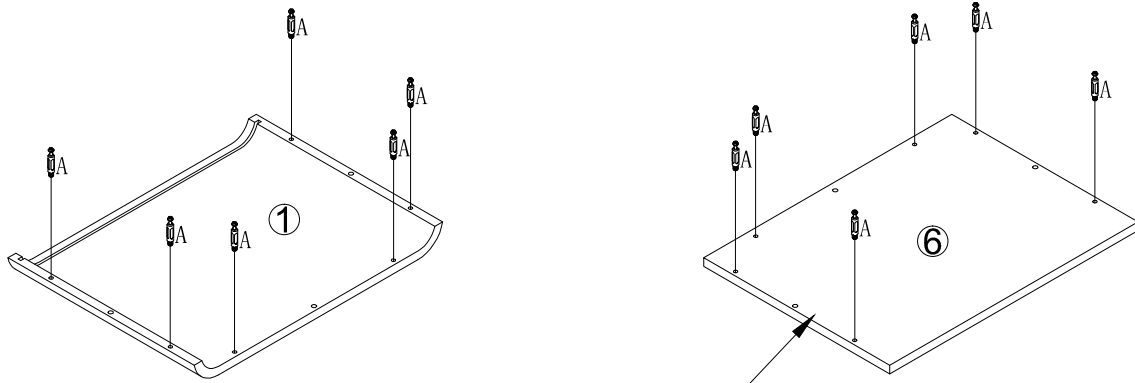
STEP 6



No. I
Quantity: 4 Pcs
Ø15



STEP 7

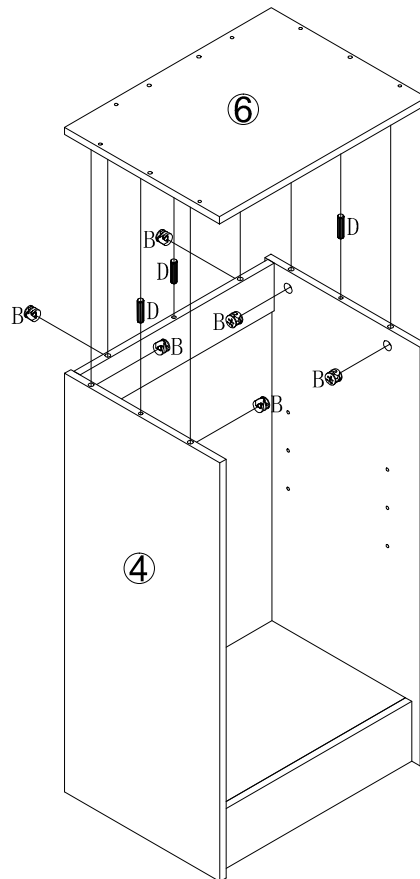


Note: This block has holes on both sides, please pay attention to the difference.

No. A
Quantity: 12 Pcs
8*28 mm



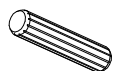
STEP 8



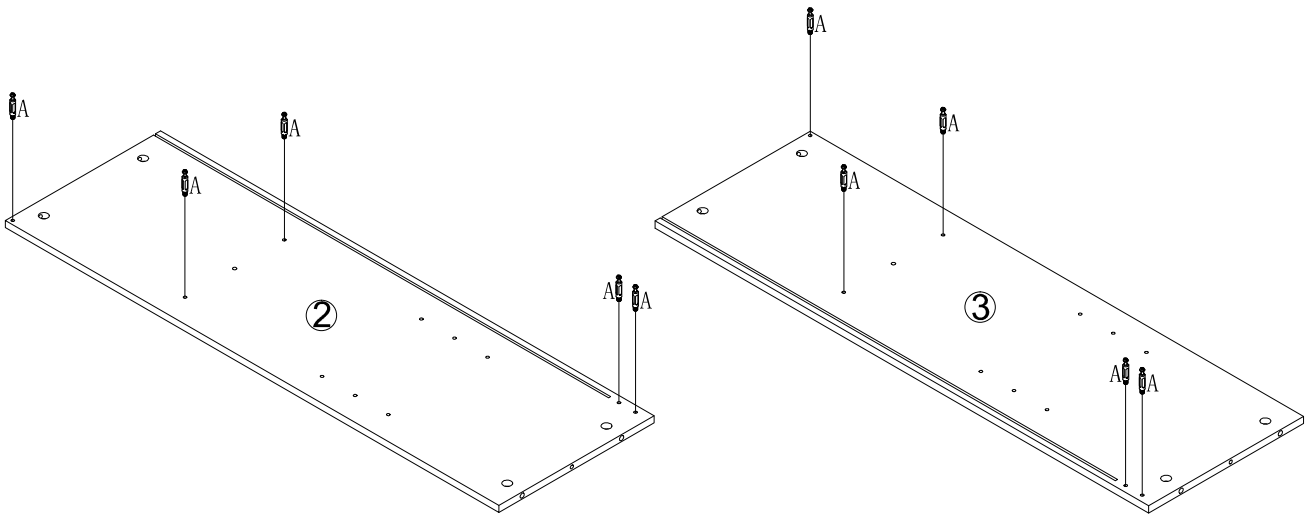
No. B
Quantity: 6 Pcs
Ø15



No. D
Quantity: 3 Pcs
6*30mm



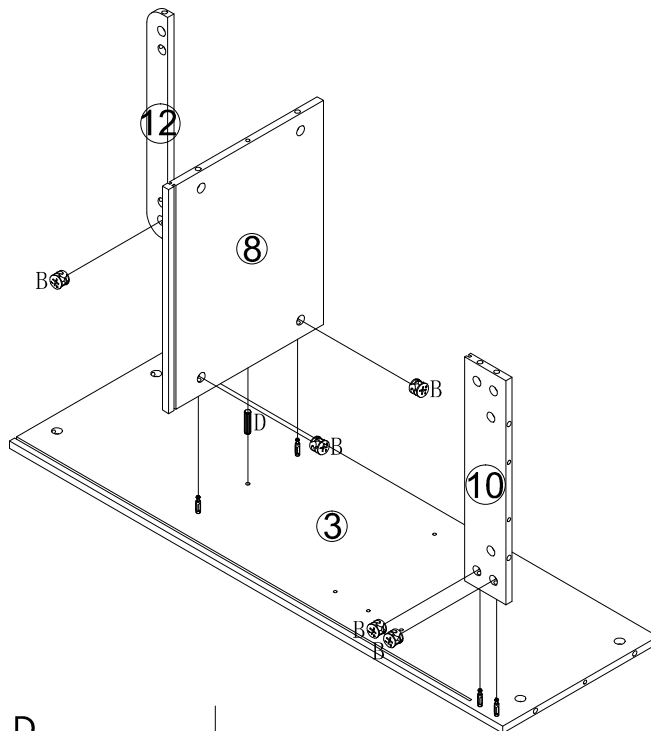
STEP 9



No. A
Quantity: 10 Pcs
8*28 mm



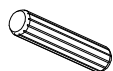
STEP 10



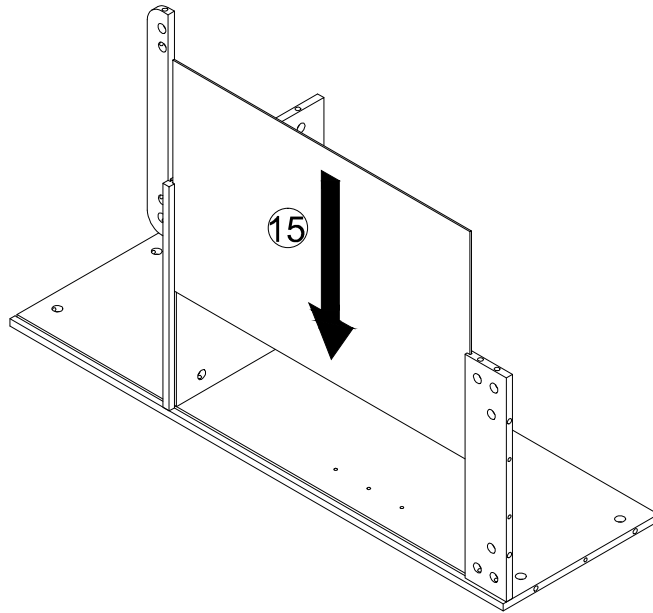
No. B
Quantity: 5 Pcs
Ø15



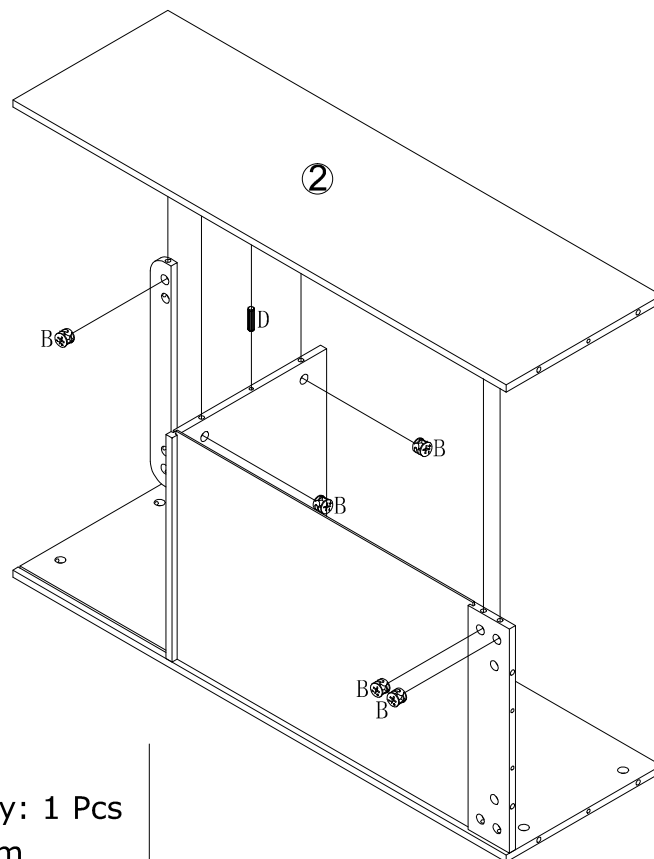
No. D
Quantity: 1 Pcs
6*30mm



STEP 11



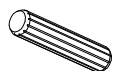
STEP 12



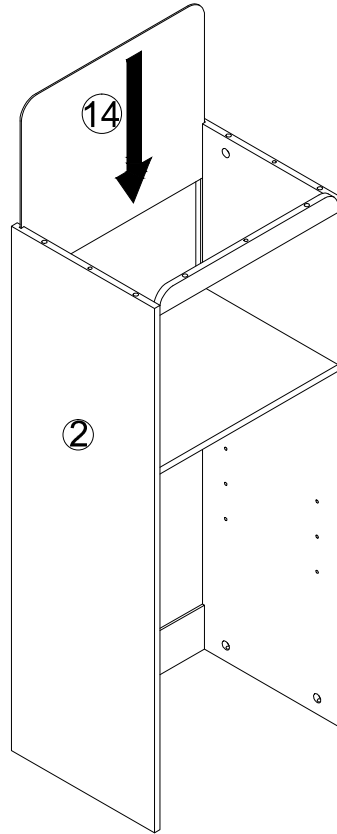
No. B
Quantity: 5 Pcs
Ø15



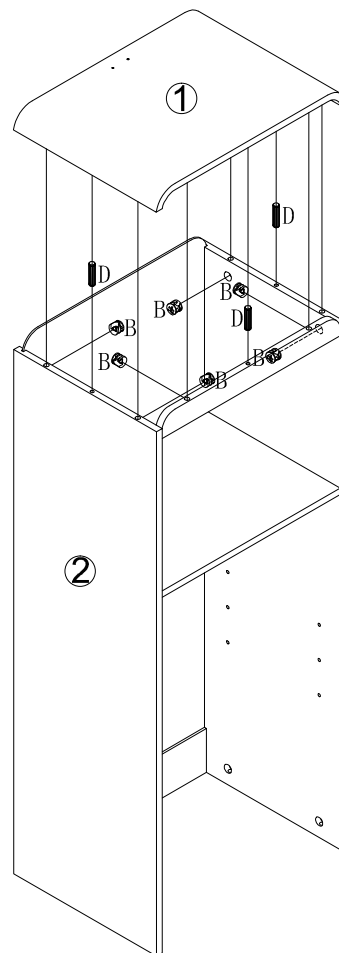
No. D
Quantity: 1 Pcs
6*30mm



STEP 13



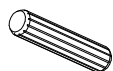
STEP 14



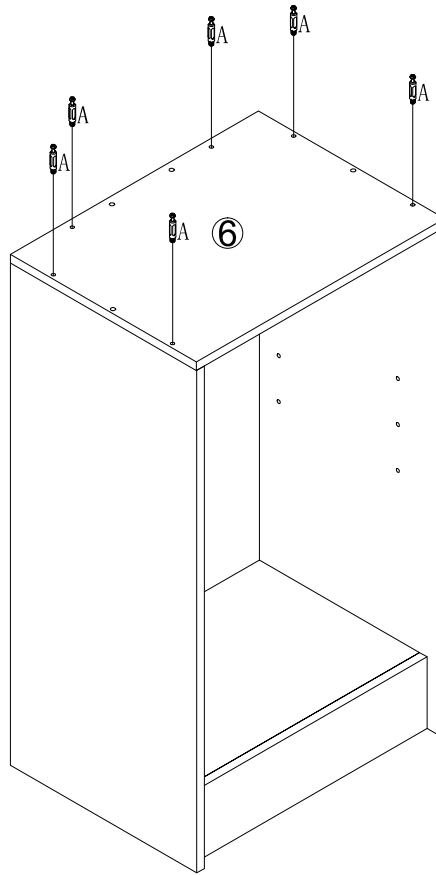
No. B
Quantity: 6 Pcs
Ø15



No. D
Quantity: 3 Pcs
6*30mm



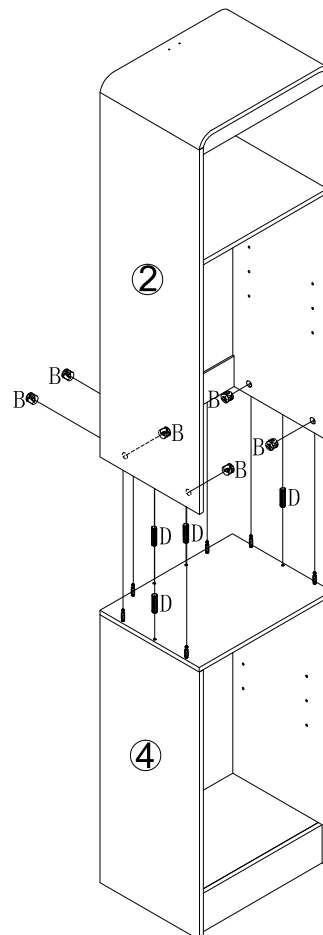
STEP 15



No. A
Quantity: 6 Pcs
8*28 mm



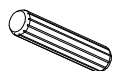
STEP 16



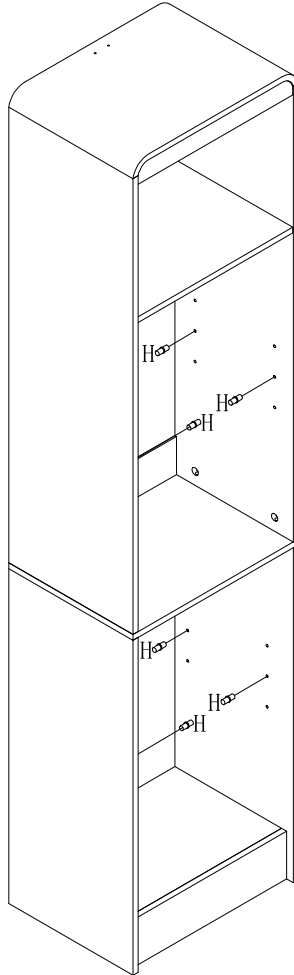
No. B
Quantity: 6 Pcs
Ø15



No. D
Quantity: 4 Pcs
6*30mm



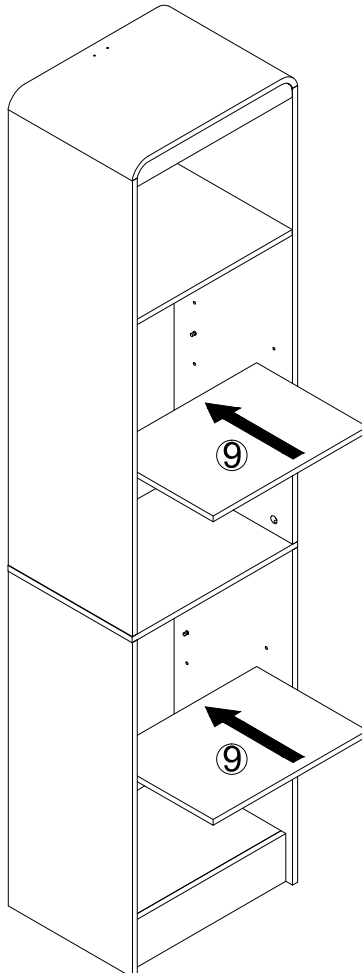
STEP 17



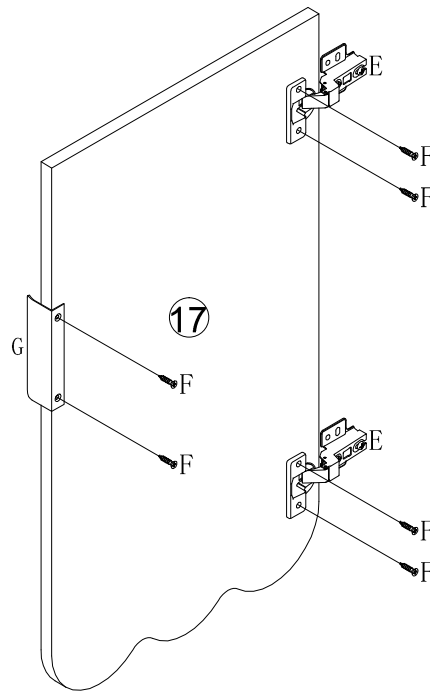
No. H
Quantity: 8 Pcs
M5*15mm



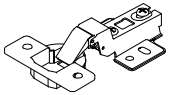
STEP 18



STEP 19



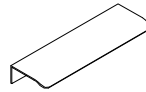
No. E
Quantity: 2 Pcs



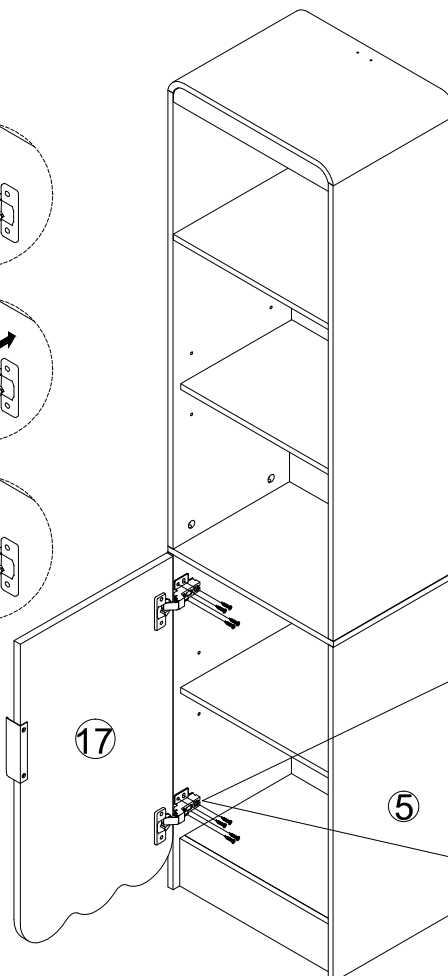
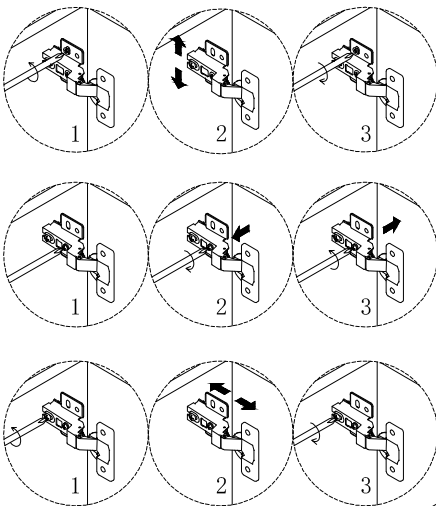
No. F
Quantity: 6 Pcs
M3.5*12mm



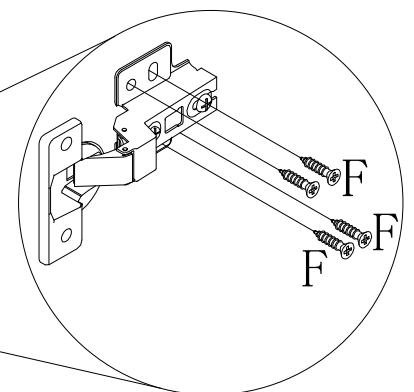
No. G
Quantity: 1 Pcs



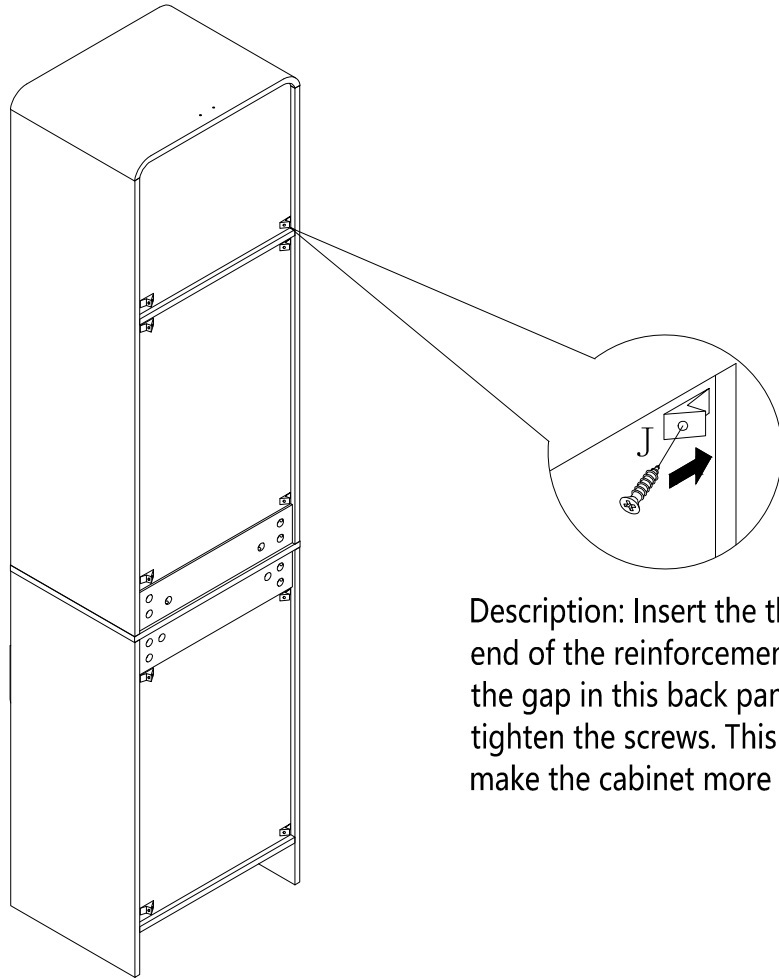
STEP 20



No. F
Quantity: 8 Pcs
3.5*12mm

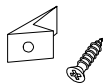


STEP 21

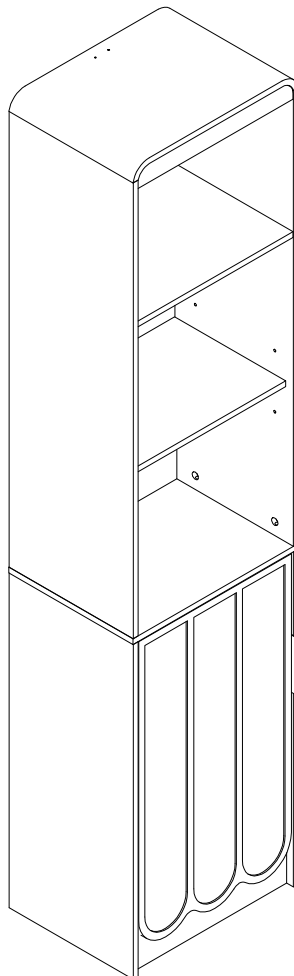


Description: Insert the thinner end of the reinforcement into the gap in this back panel, then tighten the screws. This will make the cabinet more stable.

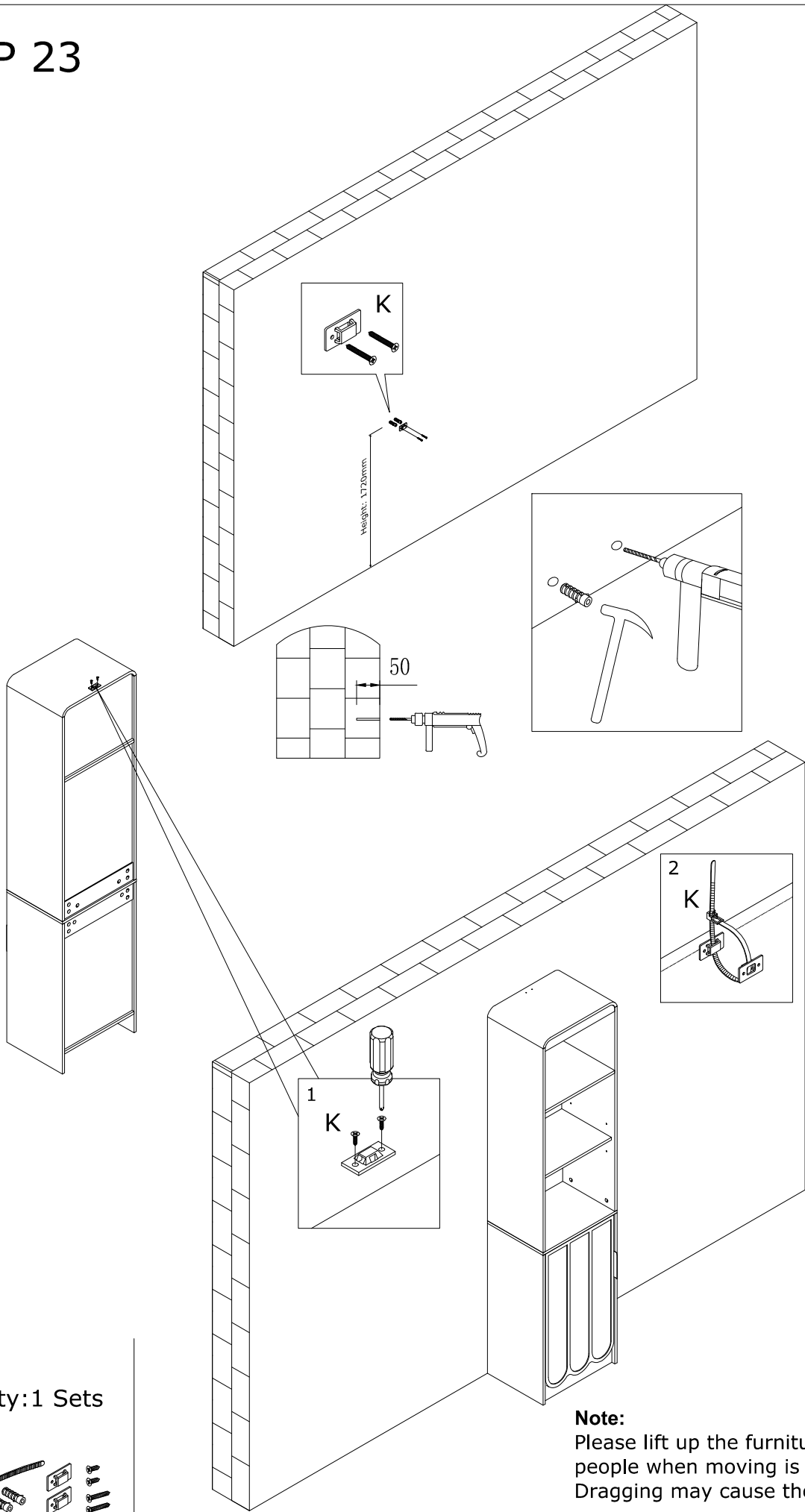
No. J
Quantity: 10 Sets



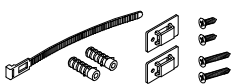
STEP 22



STEP 23



No. K
Quantity: 1 Sets



Note:
Please lift up the furniture by two people when moving is needed.
Dragging may cause the legs failure.