

BLANCO SUBLINE 340/160-U

Item No. BL450846

Pros



The designer line for undermount installation in SILGRANIT® PuraDur® II

- Maximum bowl size provided by the very best in production and mounting technology
- Mounting involves no additional expense
- Undermount bowl for discerning demands on design
- 2 in 1: two bowls, one cut-out panel and only one mounting procedure
- Timelessly elegant, contoured bowl design
- Entire system for a wide variety of plans featuring large and small bowls
- Elegant and hygienic: the covered C-overflow®
- Optional accessories

Colours



SILGRANIT® PuraDur®

Main bowl left

Item No. BL450846

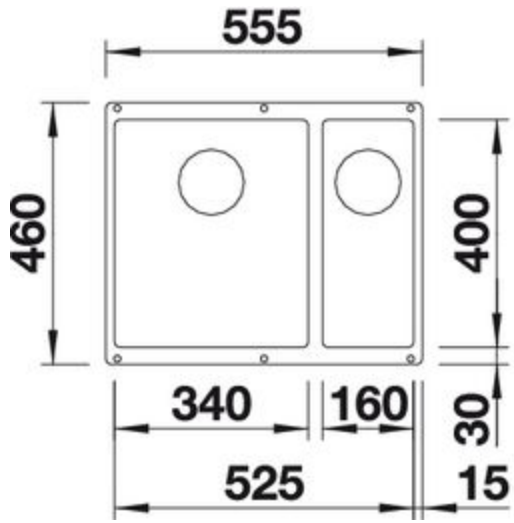
Main bowl right

Item No. BL467815

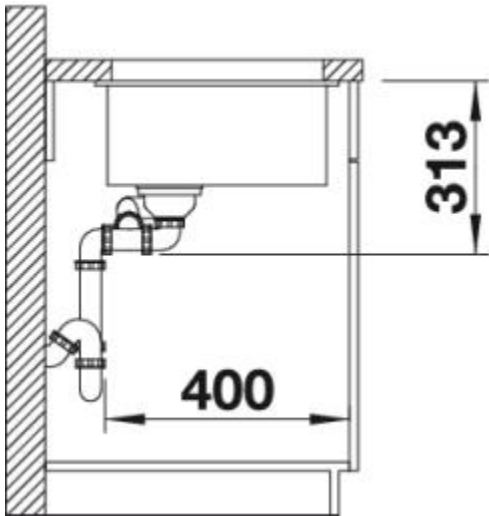
Available colours

	white		tartufo		rock grey
	pearl grey		nutmeg		jasmine
	<u>coffee</u>		champagne		anthracite
	alu metallic				

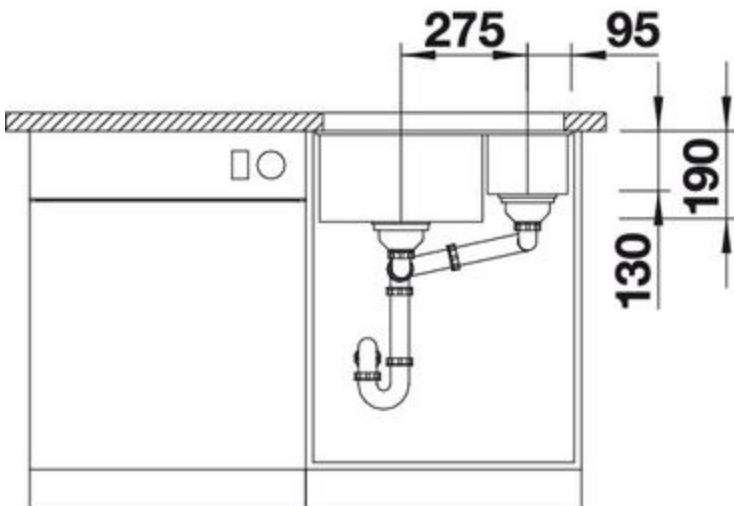
Details



Top View



Side View



Front View

Scope of supply

two 3 1/2" basket strainers, fixing kit 218 269 included (sealing on site)

Design tips

Cabinet Width: 60 cm
Bowl depth: 190 mm / 130 mm
Cut out size: 525 x 400 x R10

Please state hand of bowl
Cut out information supplied with bowls.
Cut out CNC files also available on www.blanco.co.uk for download.

Taps



BLANCO LINEE-S
coffee / chrome
BM2200CE



BLANCO OPERA
chrome
BM6000CH

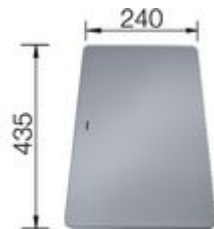


BLANCO CULINA-S Mini
chrome
BM4600CH

Optional Accessories



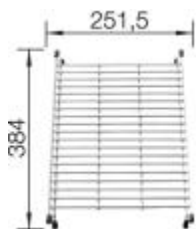
Chopping board
BL230700



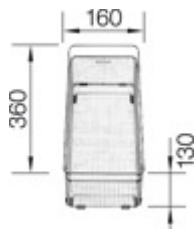
Cutting board
BL227697



Colander
BL227689



Floating grid
BL233542



Colander
BL223297

BLANCO UK Limited

Tel: 01923 635200

Fax: 0800 0911608

› www.blanco.co.uk