

READ & SAVE BELOW INSTRUCTIONS

Before beginning assembly of product, make sure all parts are present. Compare parts with package contents list and hardware contents list. If any part is missing or damaged, do not attempt to assemble the product.

Assemble the items on a stable, non-abrasive surface such as carpeting to avoid damage.

This item is heavy. Use care when handling. May require three or four adults for safe assembly.

CARE AND MAINTENANCE

Use mild soap and warm water. Do not use abrasive materials, cleaners or bleach products. Rinse with clean water and dry thoroughly.

Water allowed to accumulate inside the frames could freeze and damage the frame tubing.

Such damage is not covered under the warranty.

During inclement weather conditions and winter period, remove and store the canopy in a dry area.

Periodically check and ensure that all the screws are completely tighten.

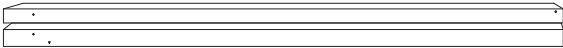
PACKAGE CONTENTS

①



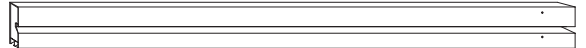
x4

②



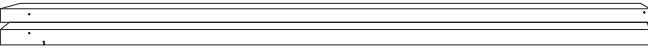
x2

③



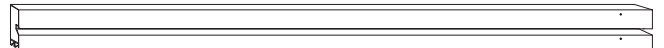
x2

④



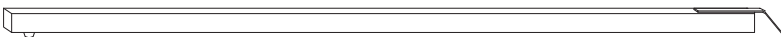
x2

⑤



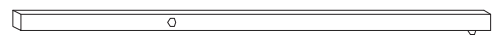
x2

⑥



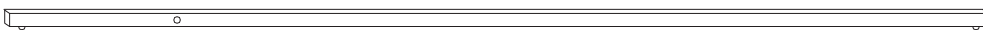
x6

⑦



x4

⑧



x4

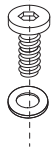
⑨



x2

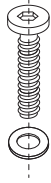
HARDWARE CONTENTS

A



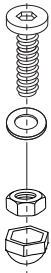
**M6x16
x90**

B



**M6x42
x16**

C



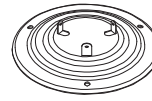
**M6x30
x8**

D



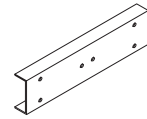
x12

E



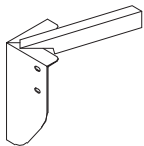
x4

F



x4

G



x4

H



x8

I



x8

J



x4

K



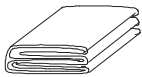
x2

M



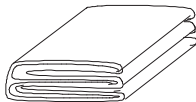
x104

N



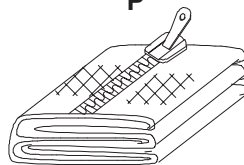
x1

O



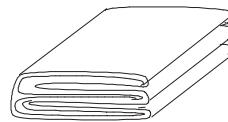
x1

P



x4

Q



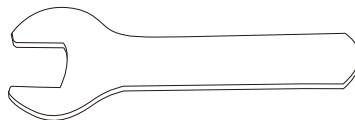
x4

R



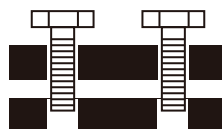
x1


S

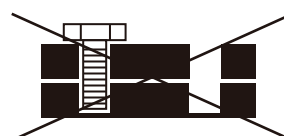


x1

Install all the relevant screws, but do not tighten them completely at the very beginning.

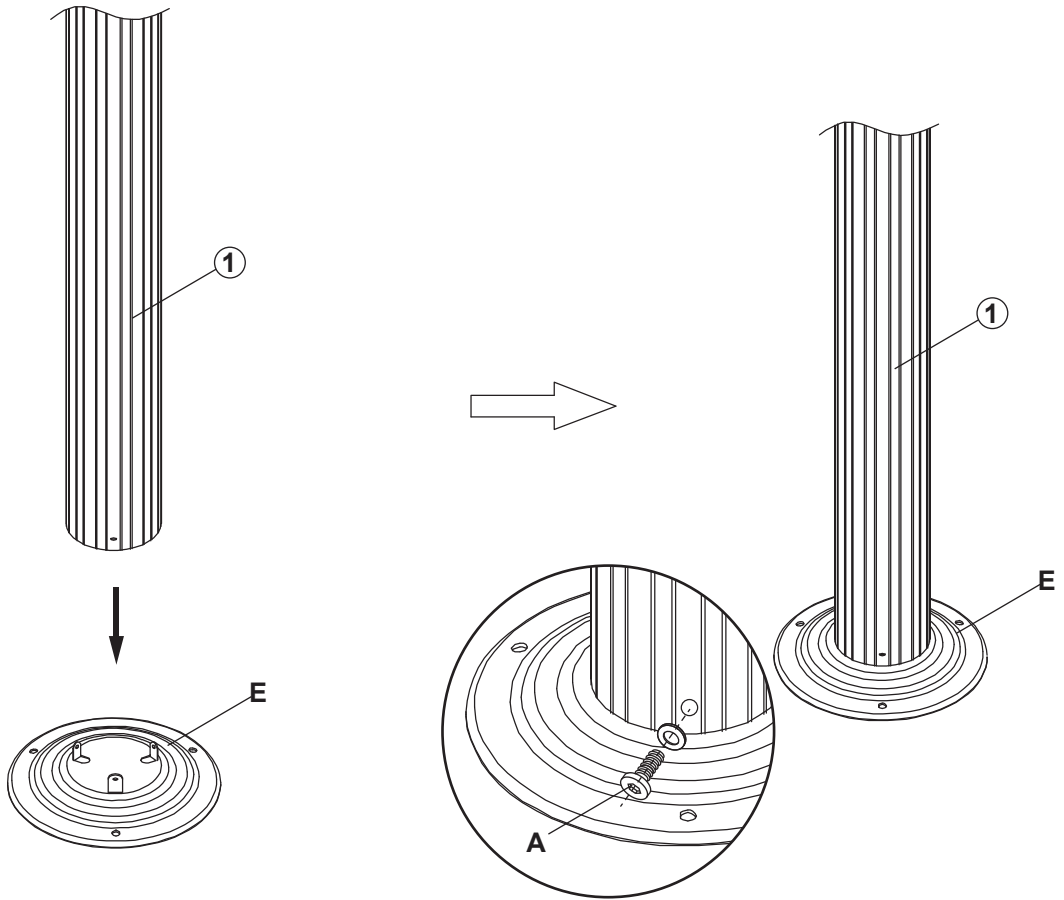


 Do not fully tighten until the end of assembly or until stated.

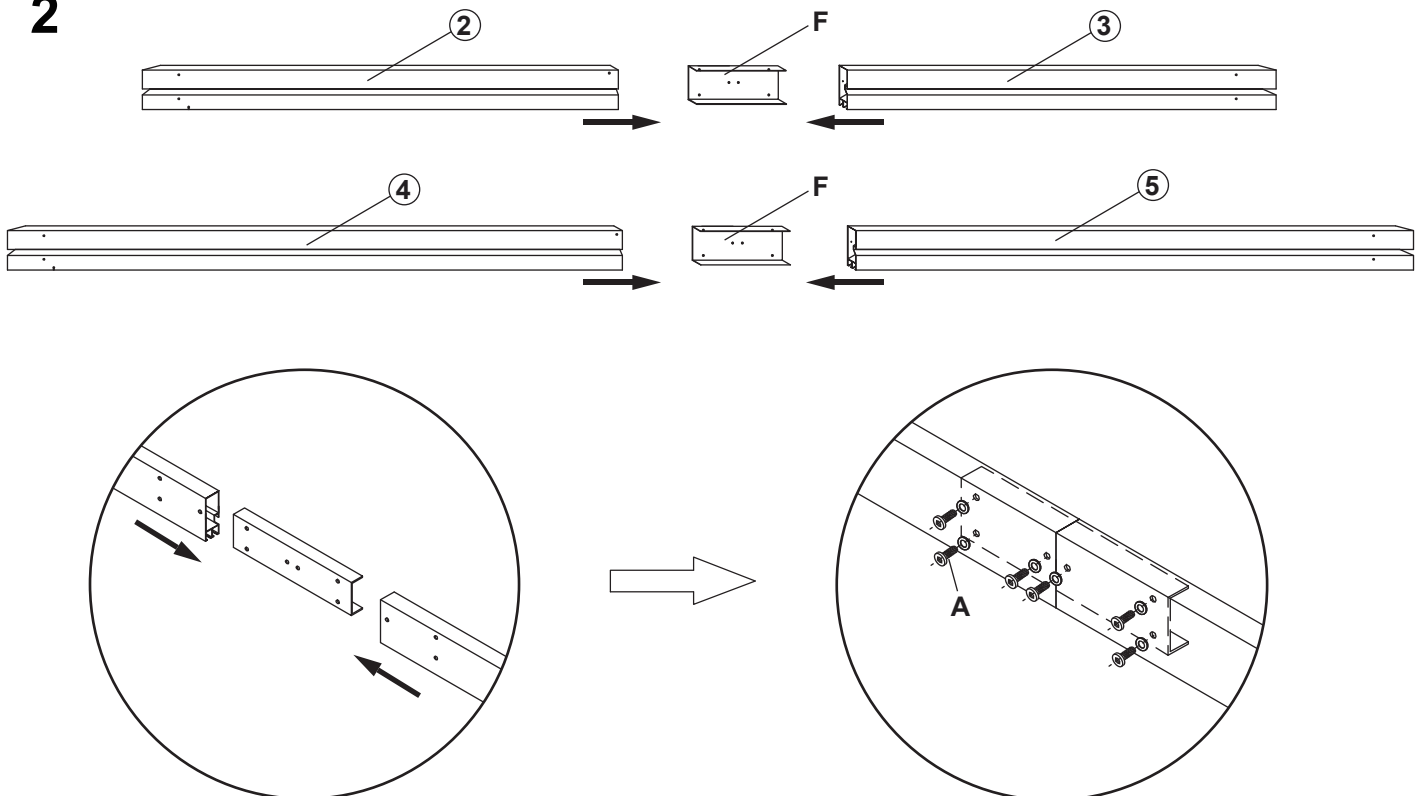


ASSEMBLY INSTRUCTIONS

1

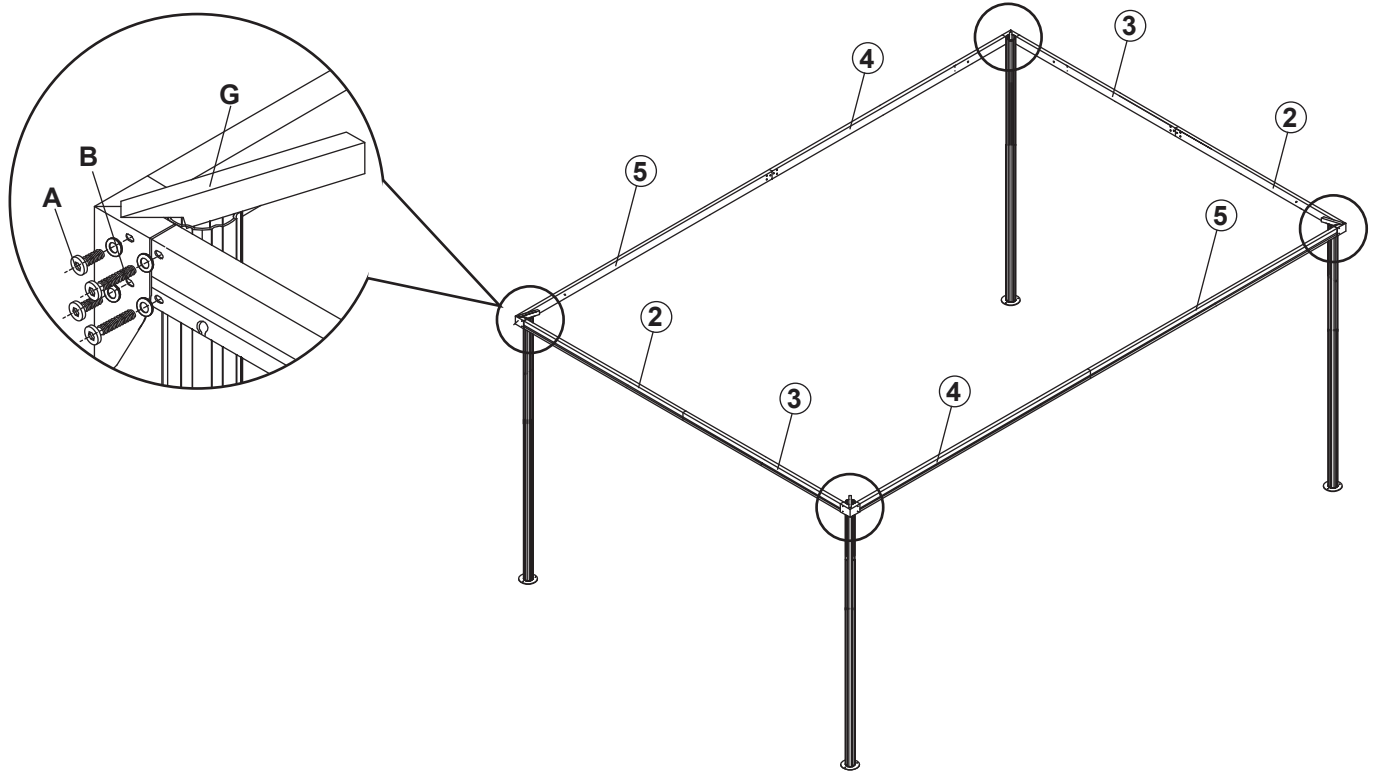


2

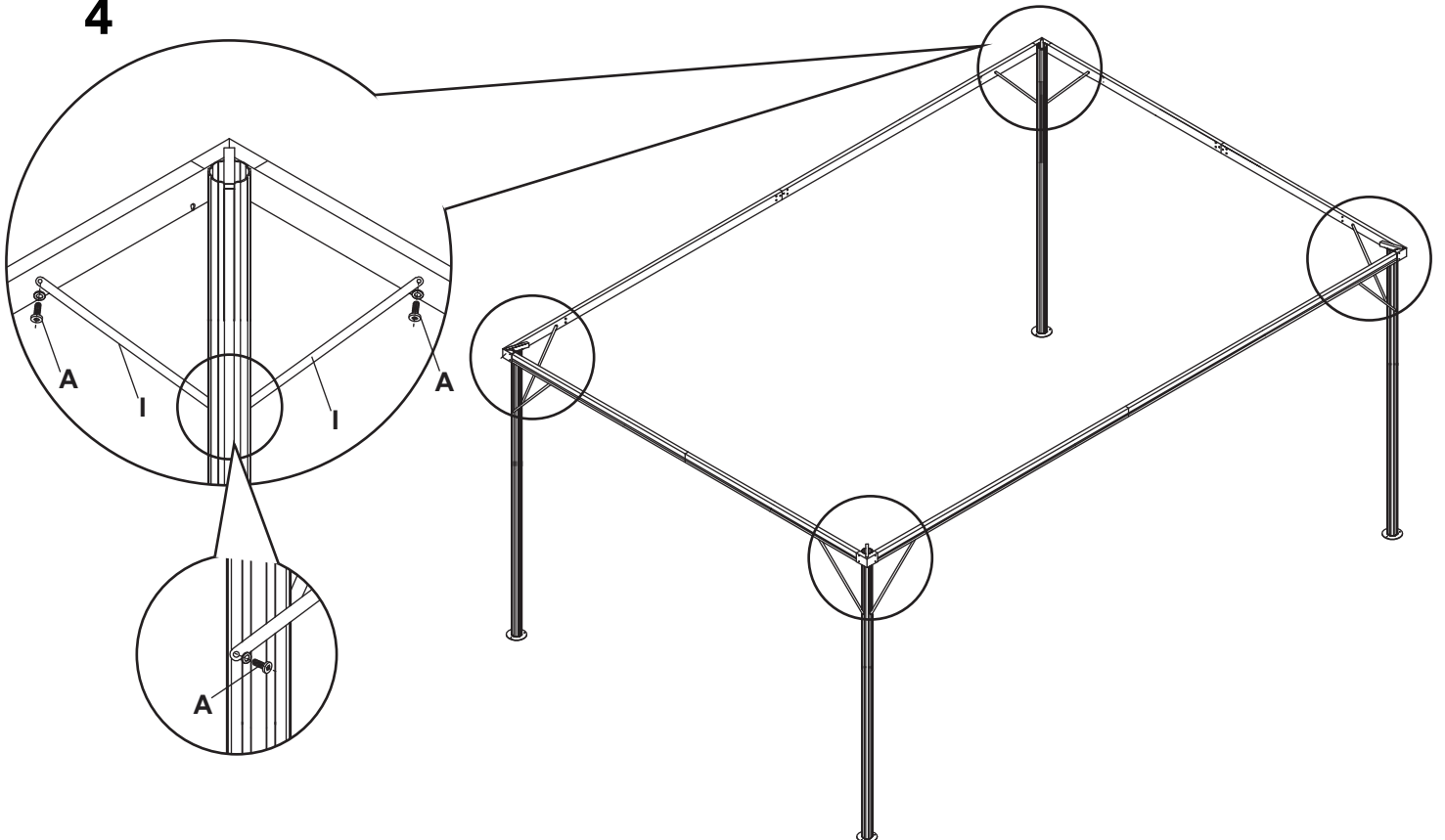


ASSEMBLY INSTRUCTIONS

3

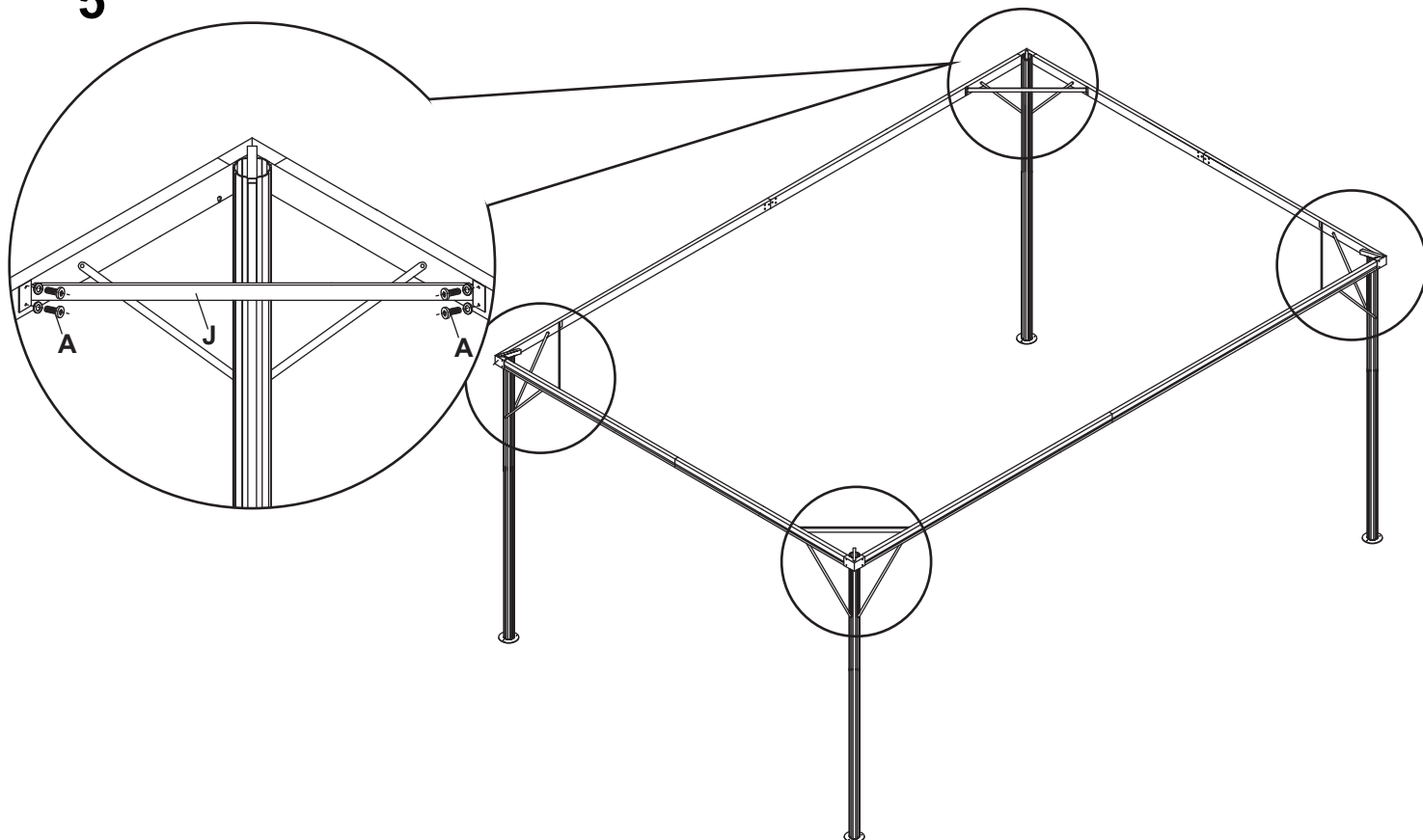


4

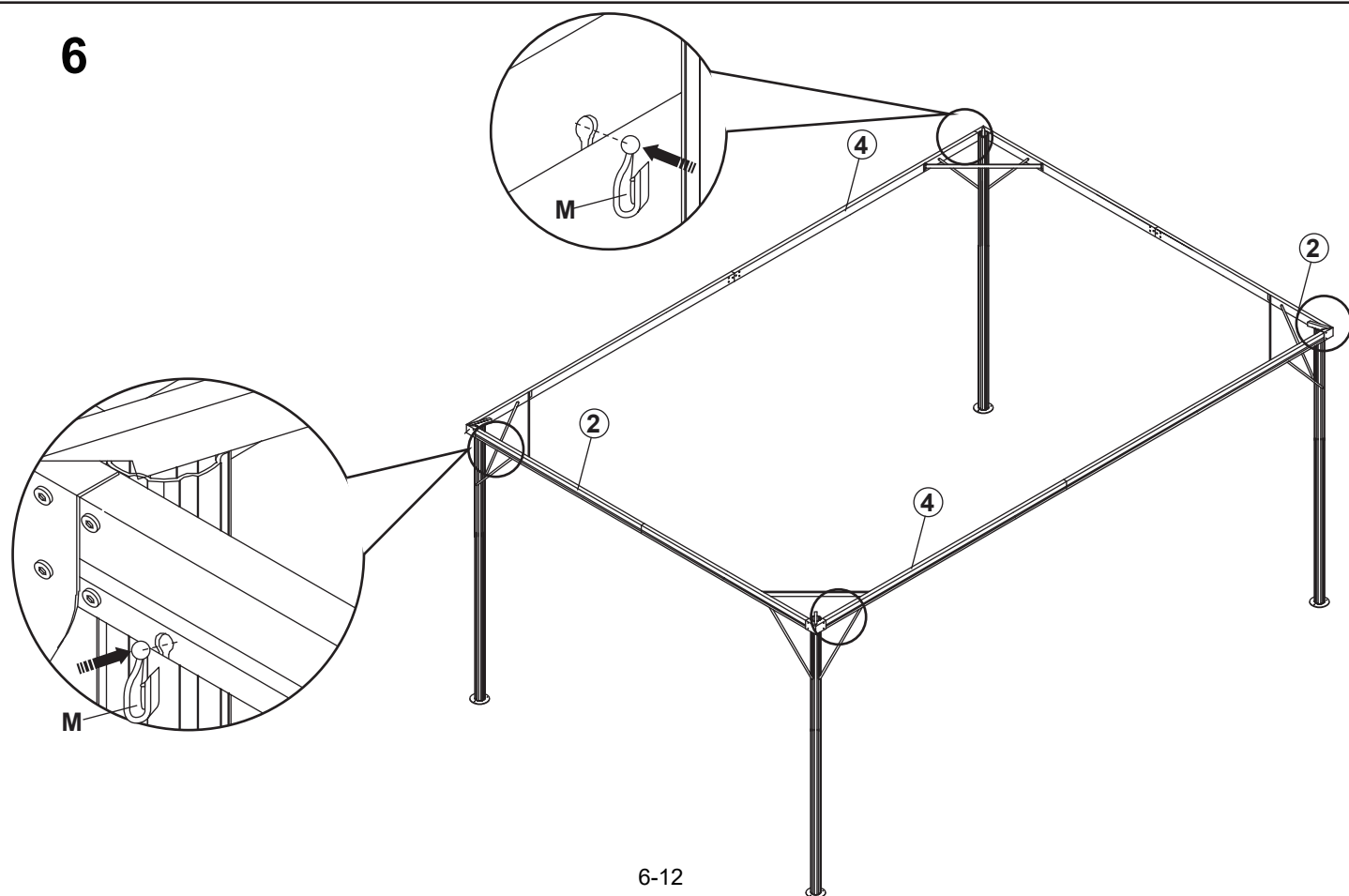


ASSEMBLY INSTRUCTIONS

5

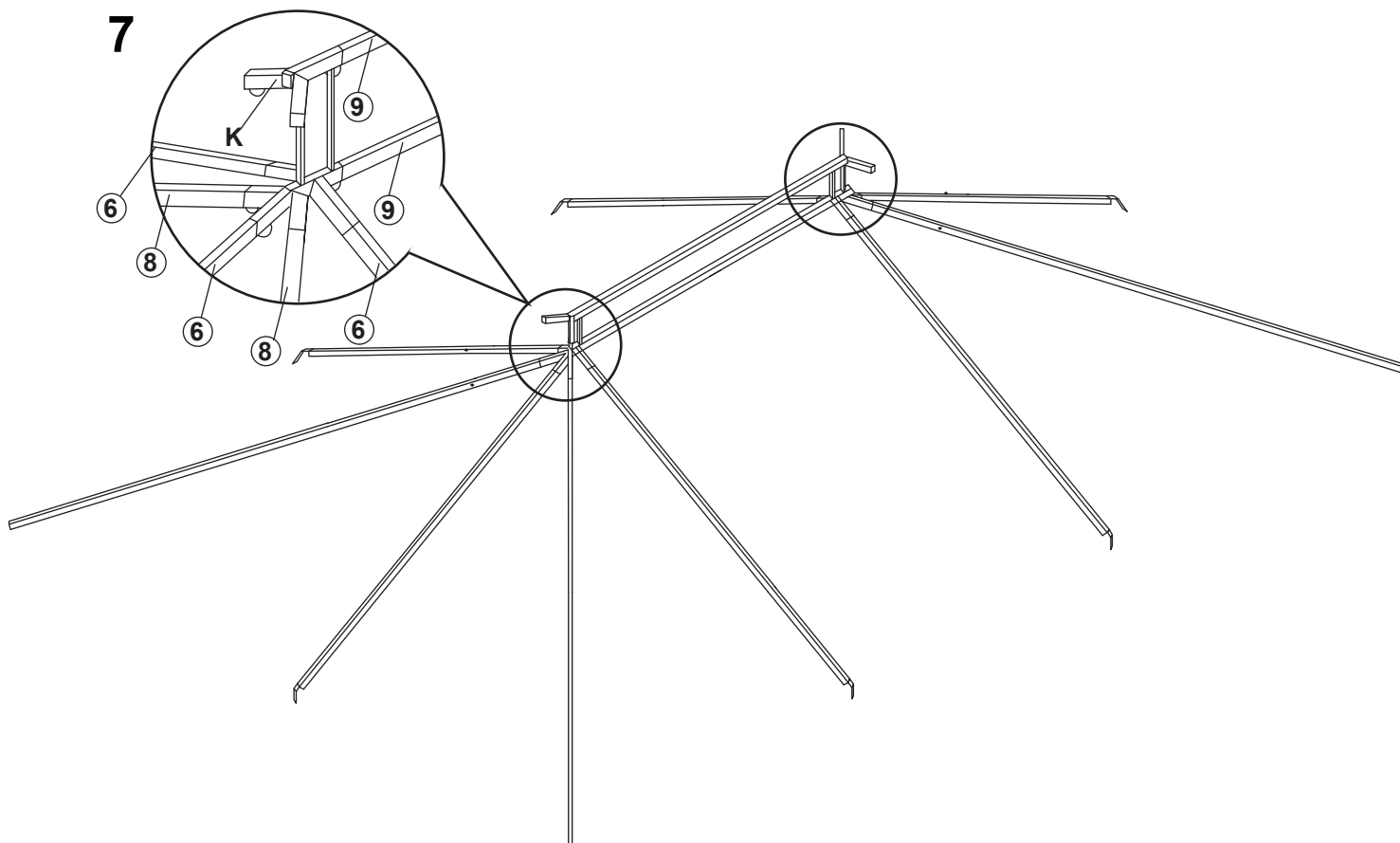


6

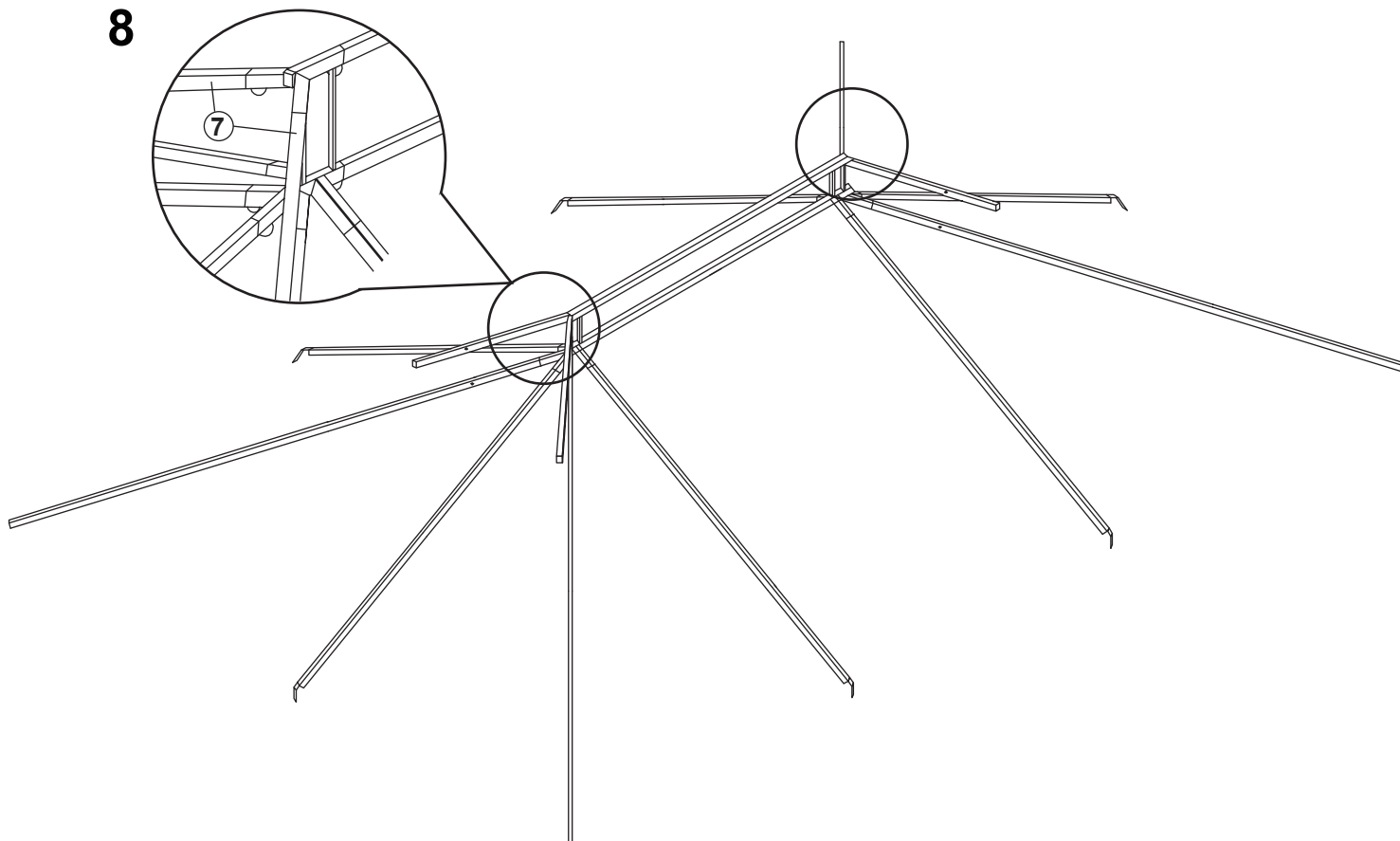


ASSEMBLY INSTRUCTIONS

7

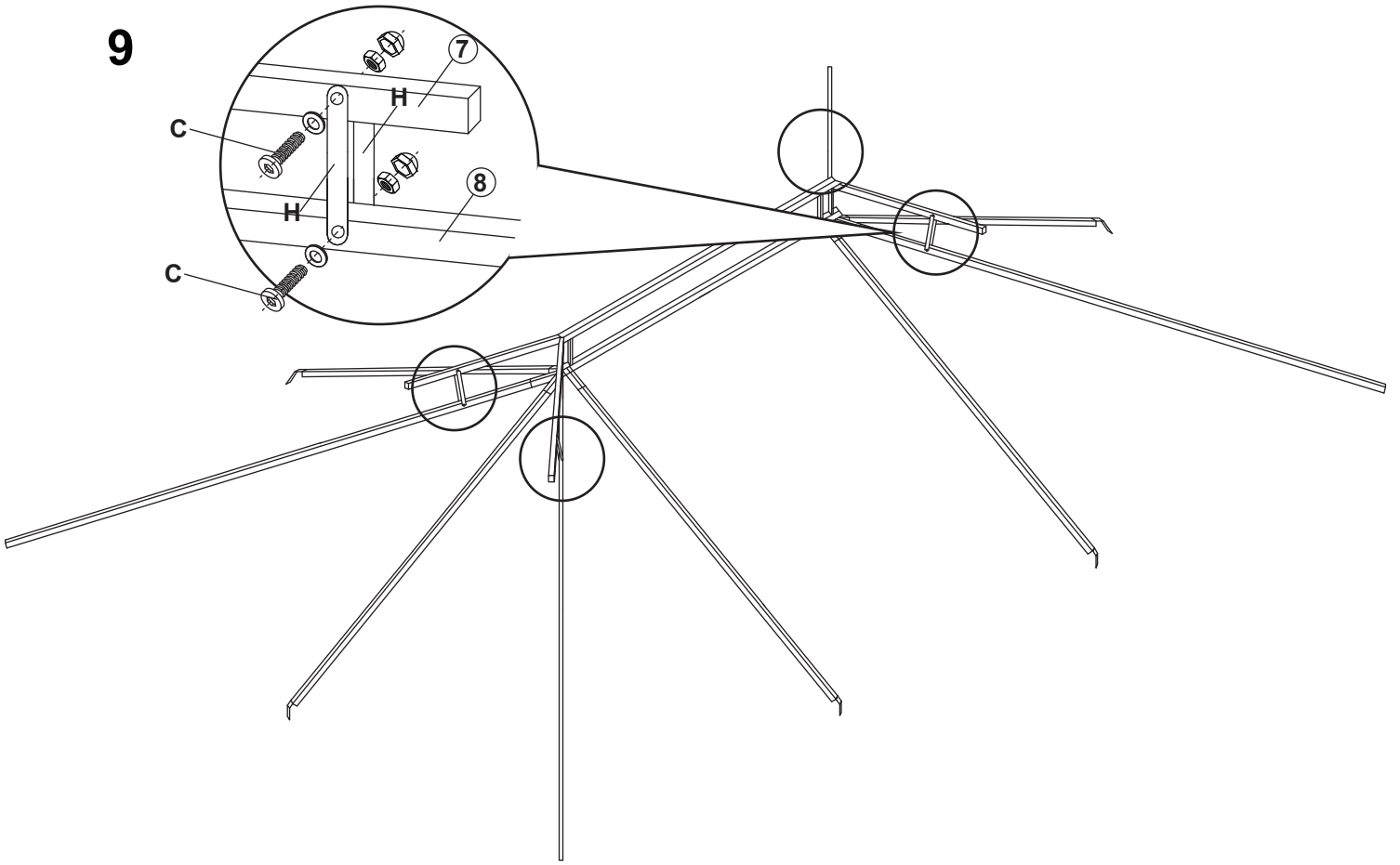


8

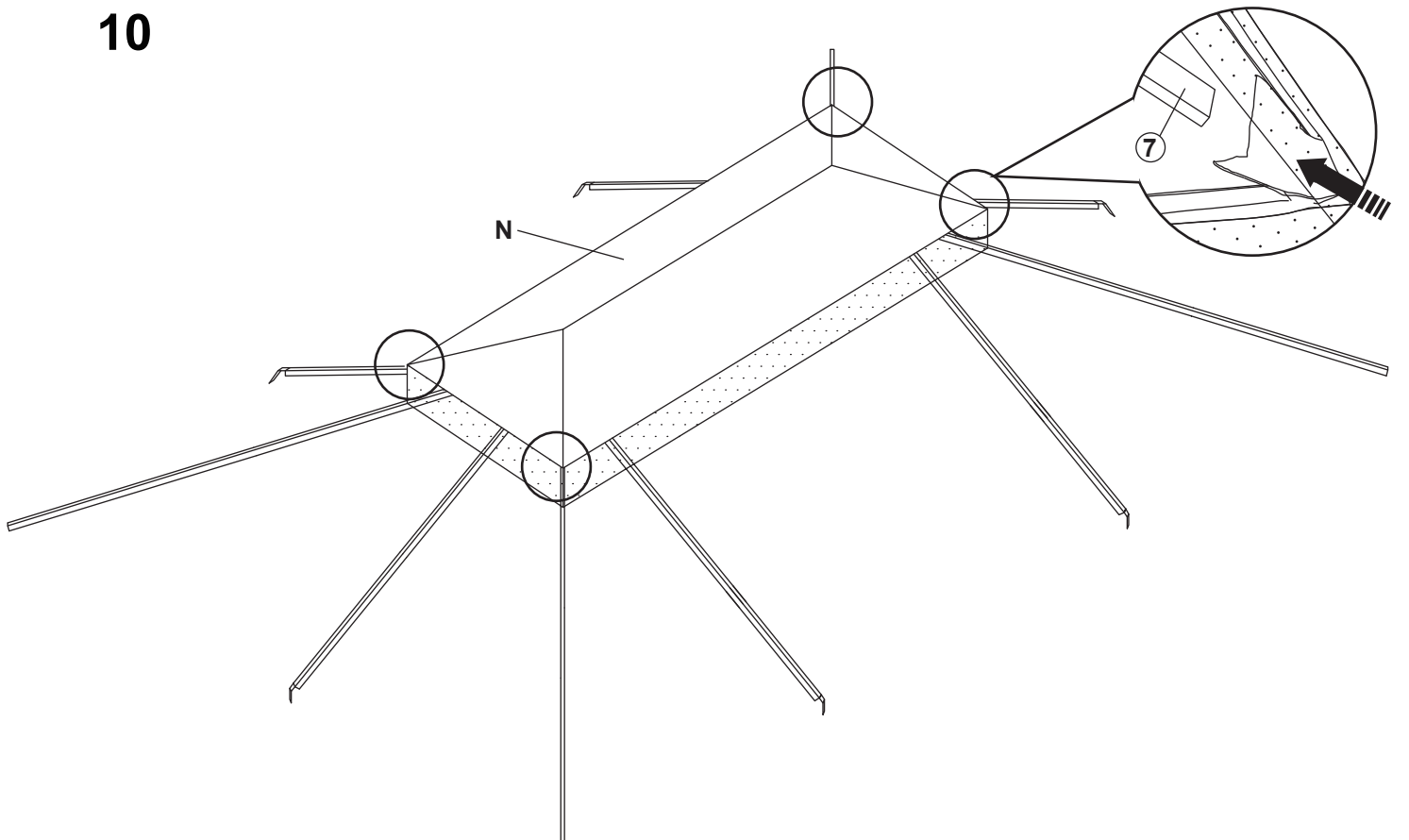


ASSEMBLY INSTRUCTIONS

9

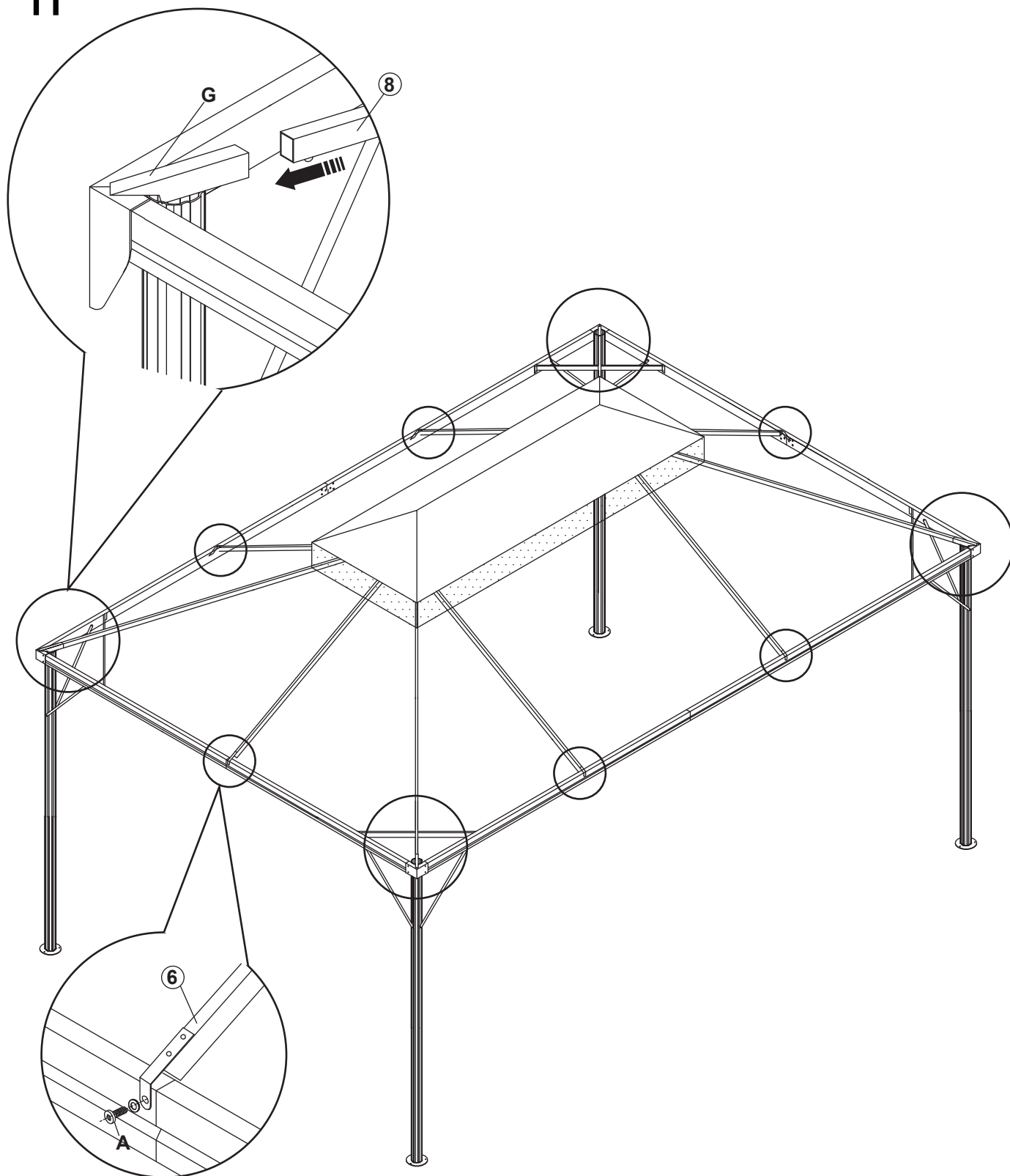


10



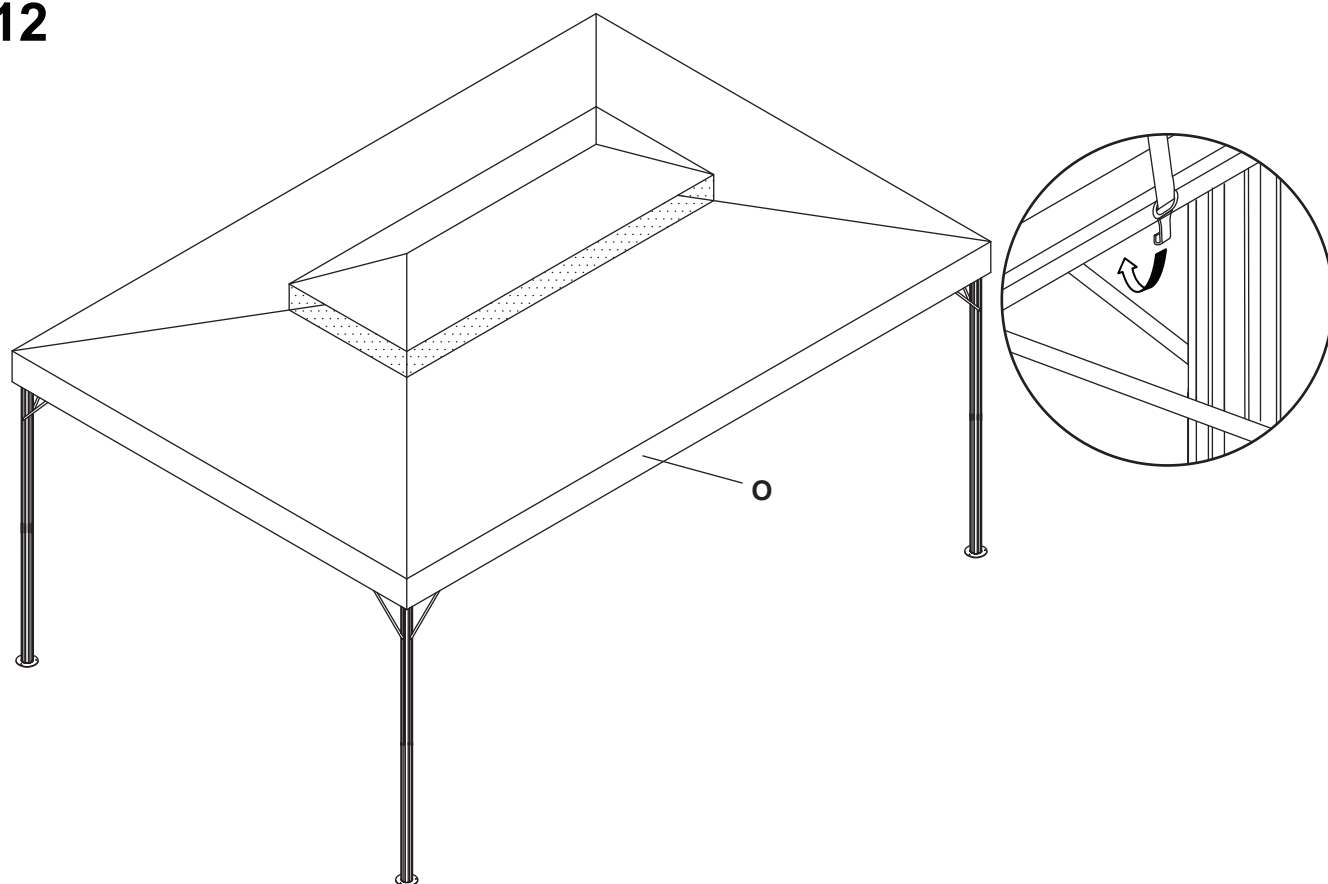
ASSEMBLY INSTRUCTIONS

11

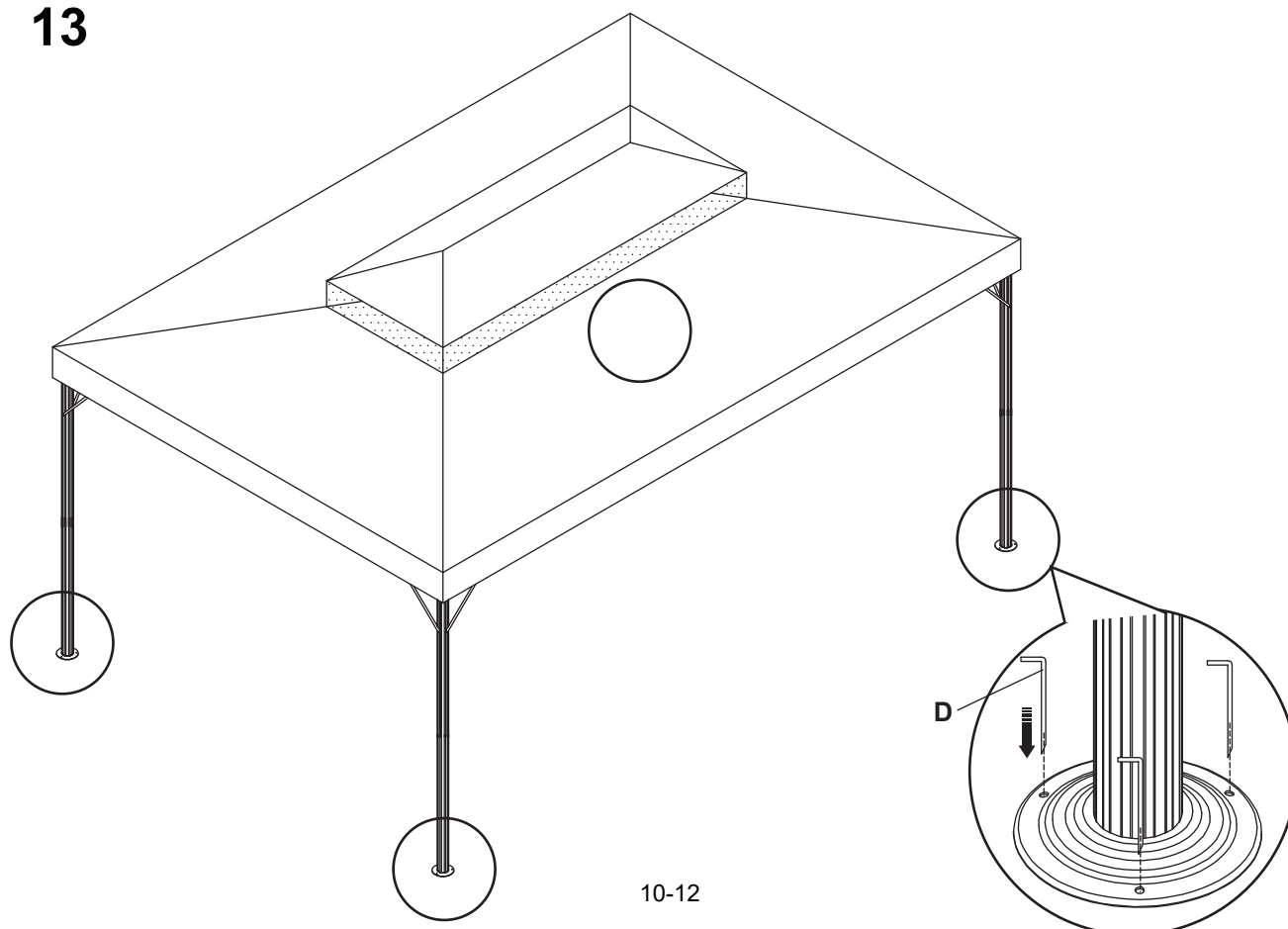


ASSEMBLY INSTRUCTIONS

12

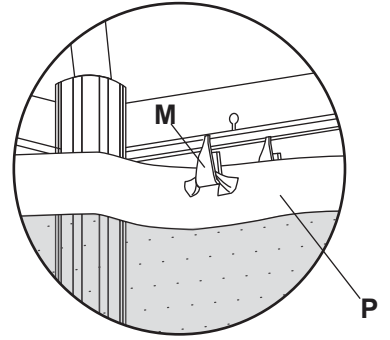
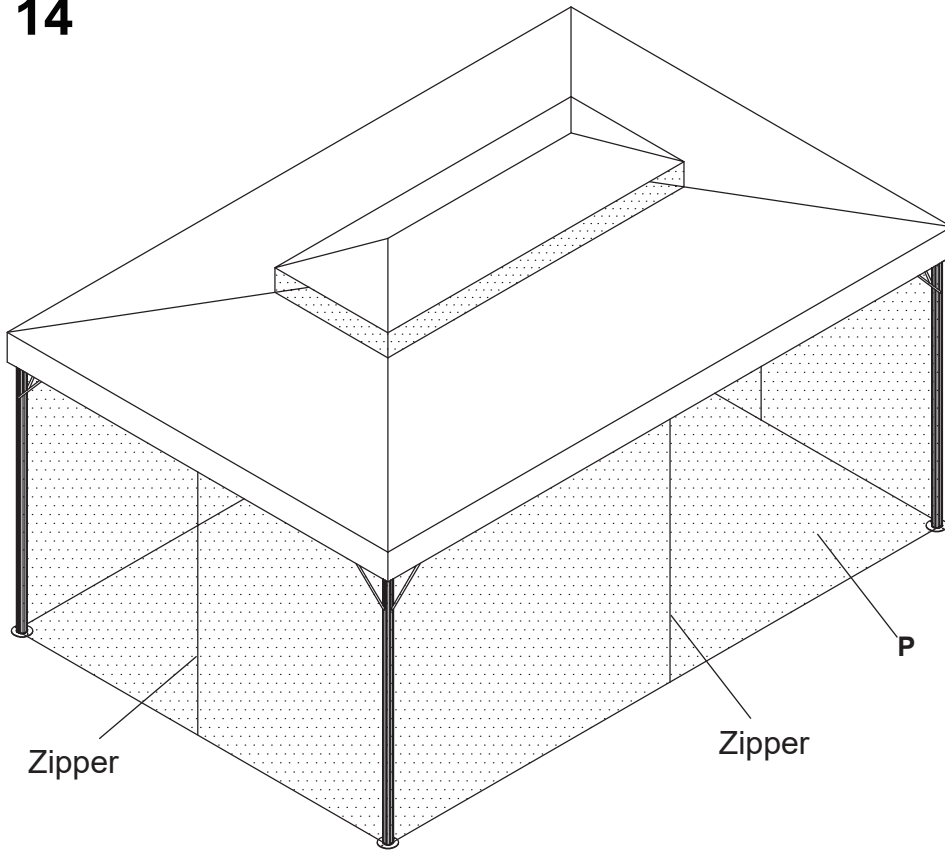


13

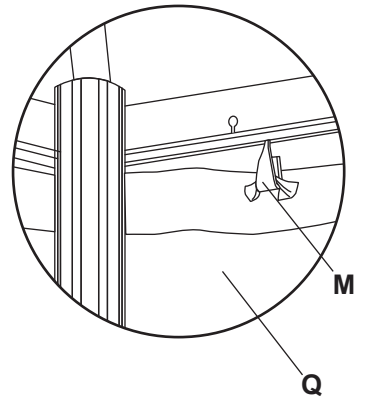
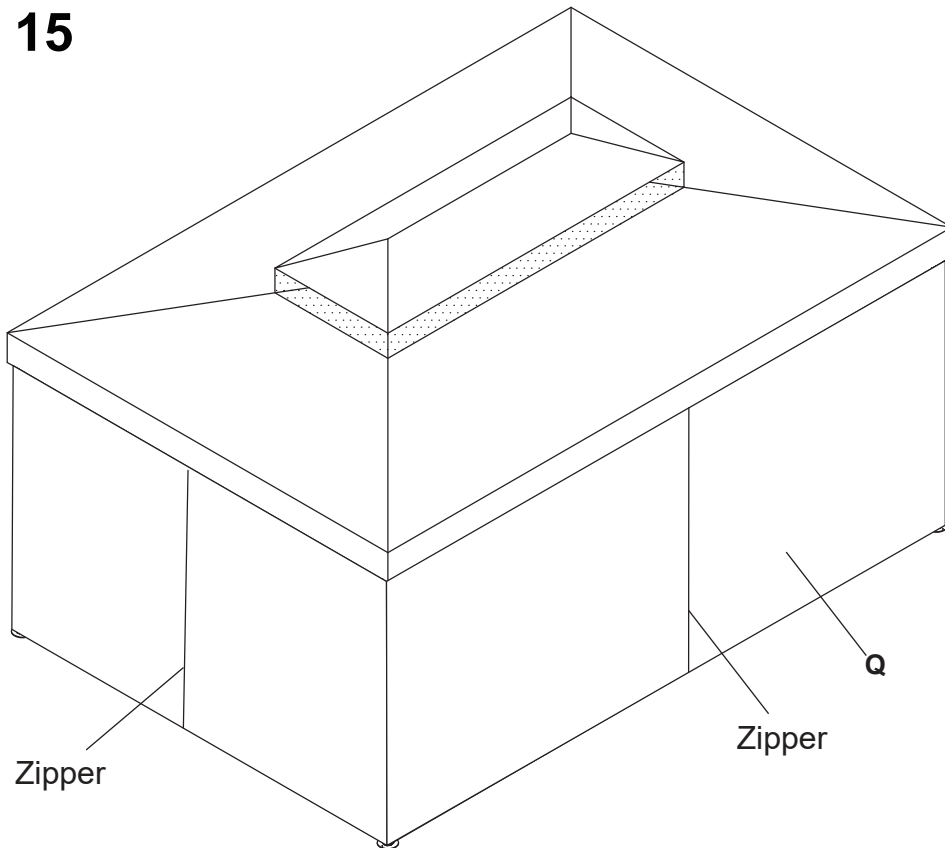


ASSEMBLY INSTRUCTIONS

14

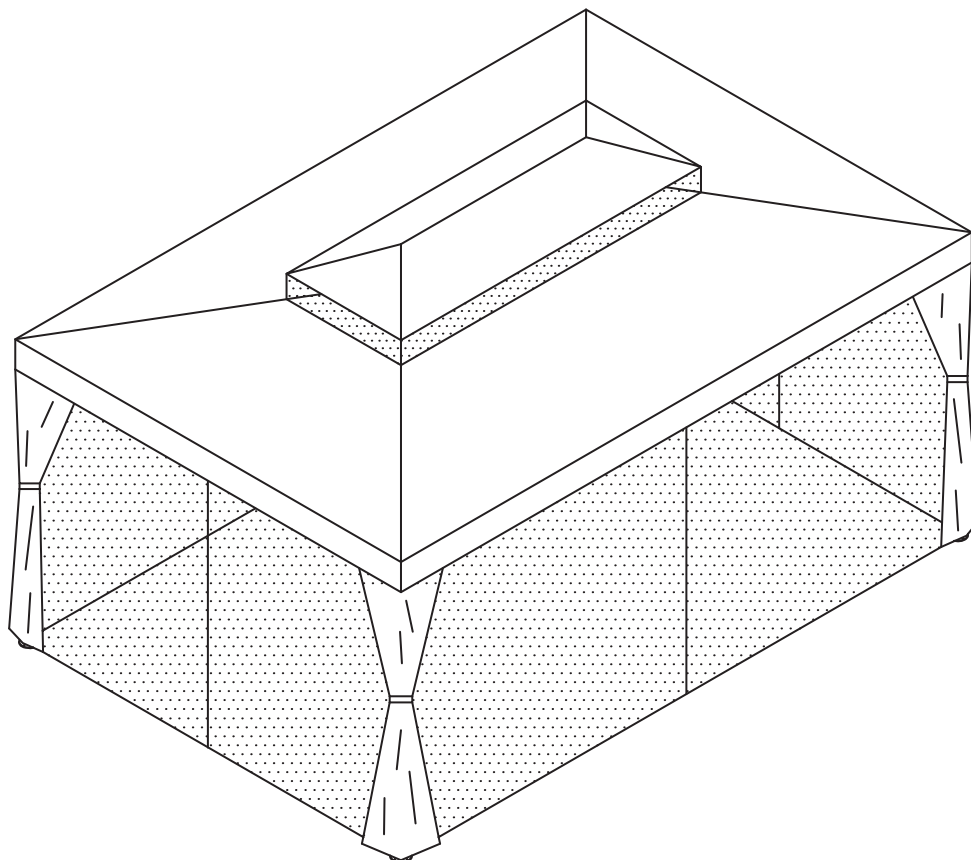


15



ASSEMBLY INSTRUCTIONS

16



Remove the canopy during inclement weather and store it in a dry area.

