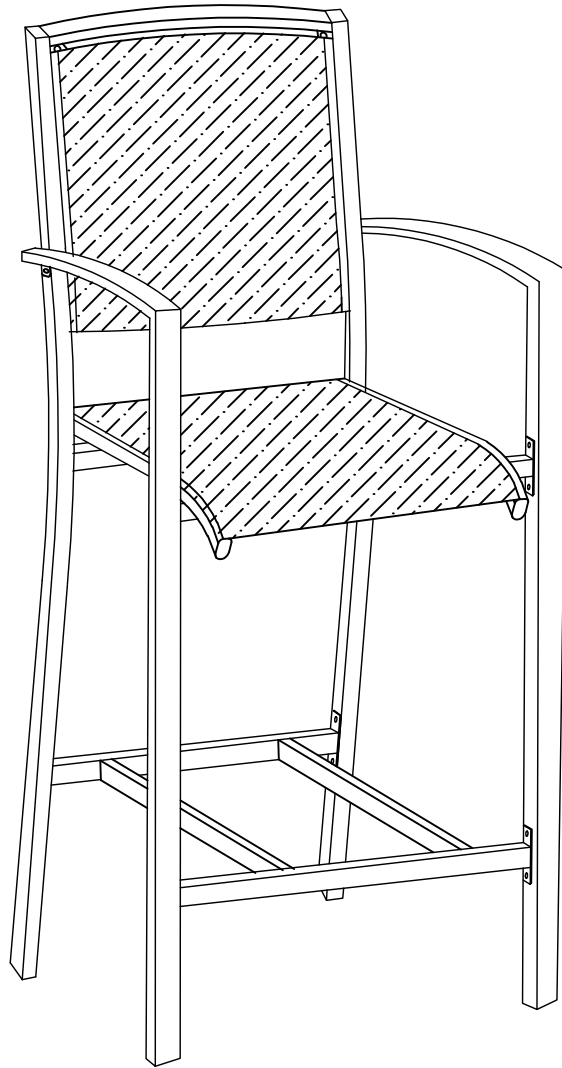


Chair



IMPORTANT

Please follow the instruction manuals and use a pad to avoid damage during assembly.



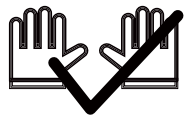
Not intended for use by children. Please keep your children closely supervised.



Keep away from fire or other heat sources.



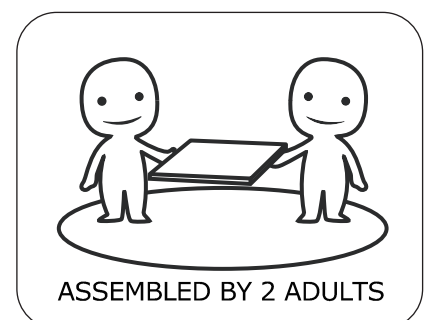
Do not use harsh cleaner for cleaning!

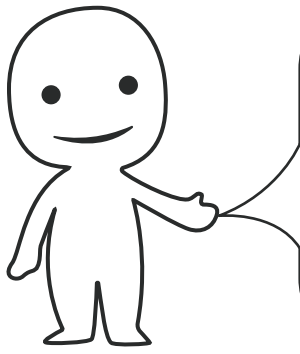


We recommend wearing protective gloves for assembly.



Identify, sort and count the parts before assembly.



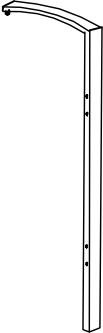
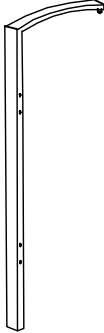
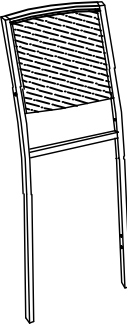
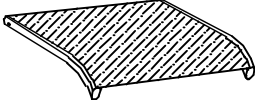

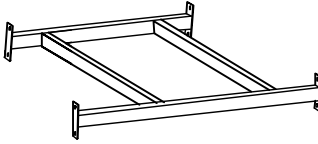


Please prepare the following tools

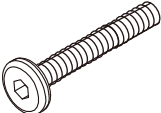
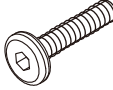




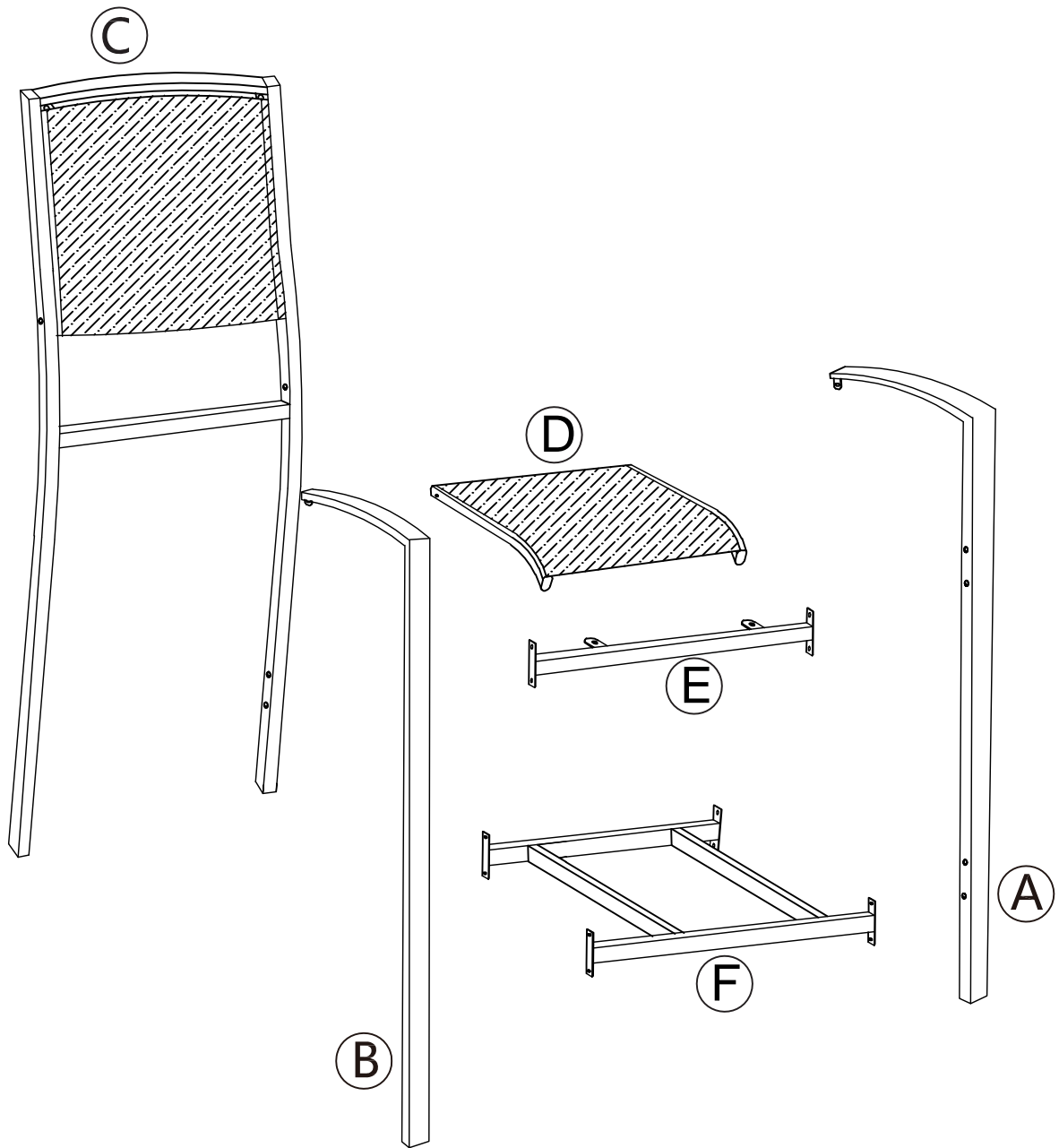
When installing, please carefully confirm whether each screw corresponds to the manual, accessories with similar shapes can be distinguished by size

Parts List

			
(A) Left Armrest 4PCS	(B) Right Armrest 4PCS	(C) Back 4PCS	(D) Seat 4PCS
			
(E) Support 4PCS	(F) Chair Base 4PCS		



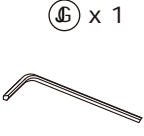
Hardware List

			
(G) M6 x 30 mm 8PCS	(H) M6 x 15 mm 64PCS	(I) 72PCS	(J) 1PC

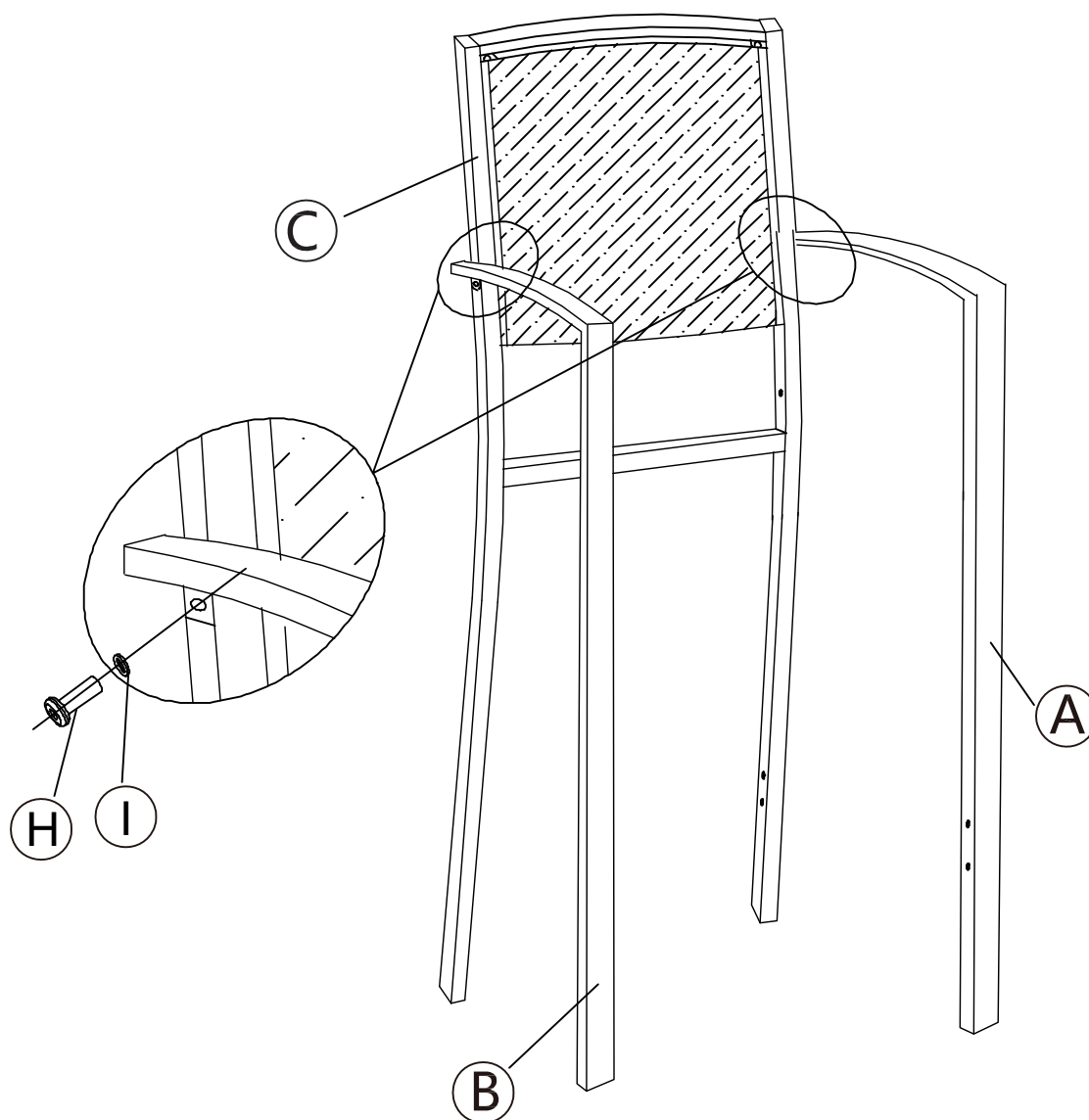


x4

STEP 1


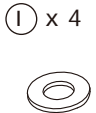

 H x 2 M6 x 15 mm	 I x 2	 G x 1	
--	--	--	--

Fix Chair armrest A and B to Back C.
DO NOT FULLY TIGHTEN.

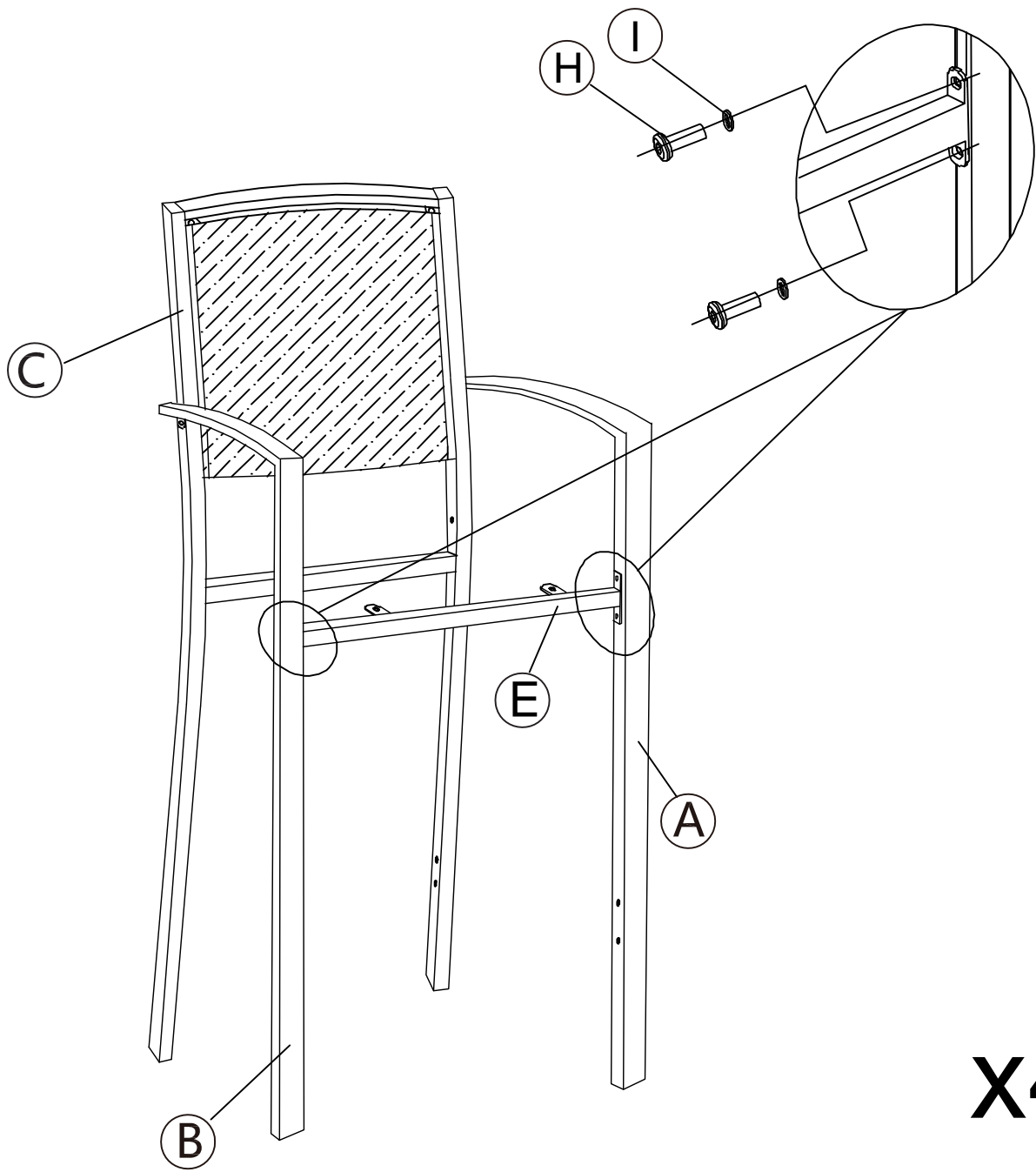


x4

STEP 2




 H x 4 M6 x 15 mm	 I x 4	 G x 1	
--	--	--	--

Fix Chair armrest A and B to Support E.
DO NOT FULLY TIGHTEN.



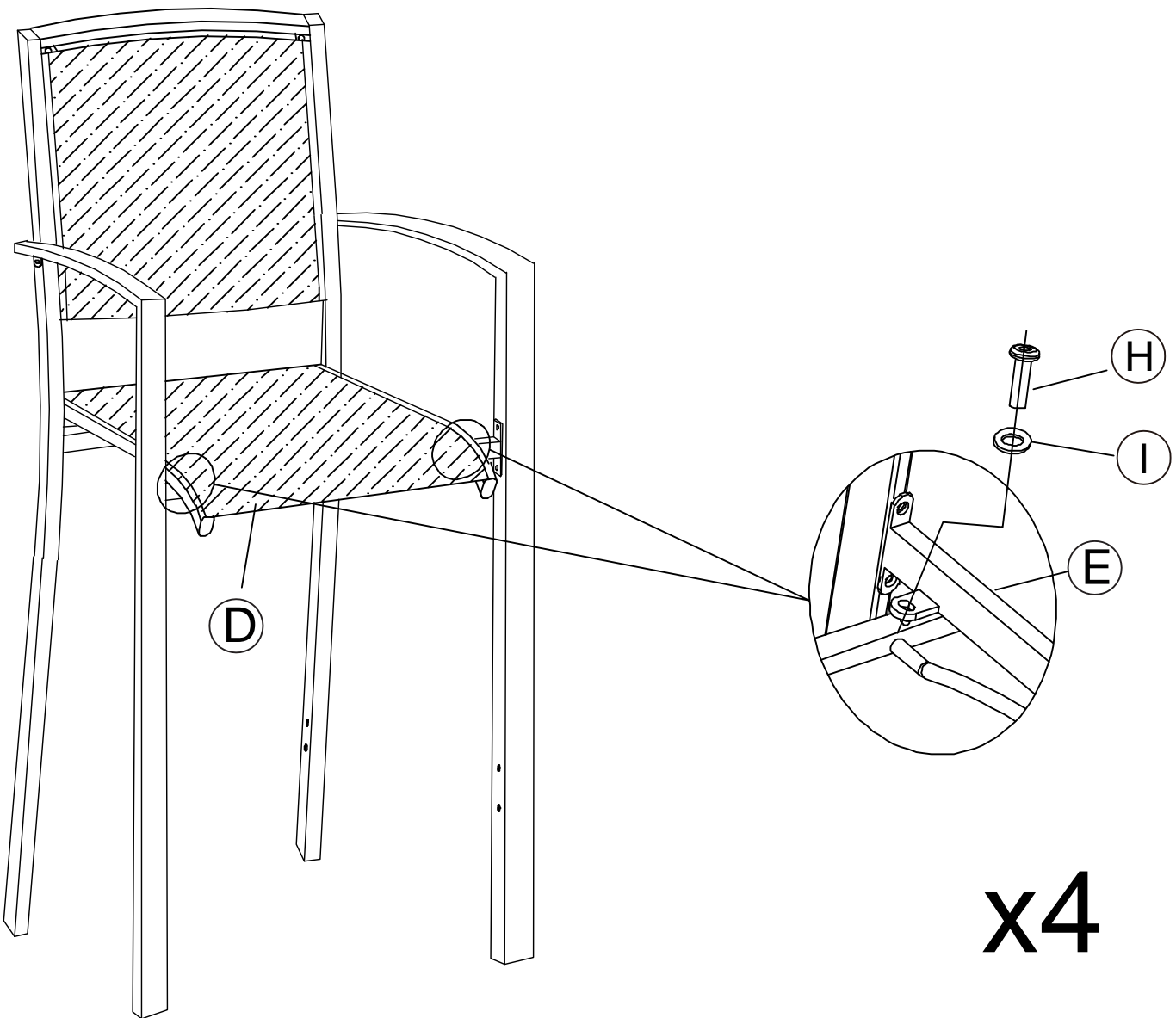
x4

STEP 3

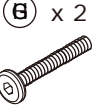


<p>Ⓜ x 2</p>  <p>M6 x 15 mm</p>	<p>Ⓛ x 2</p> 	<p>Ⓧ x 1</p> 	
--	--	--	--

Fix Chair Seat D to Support E.

DO NOT FULLY TIGHTEN.

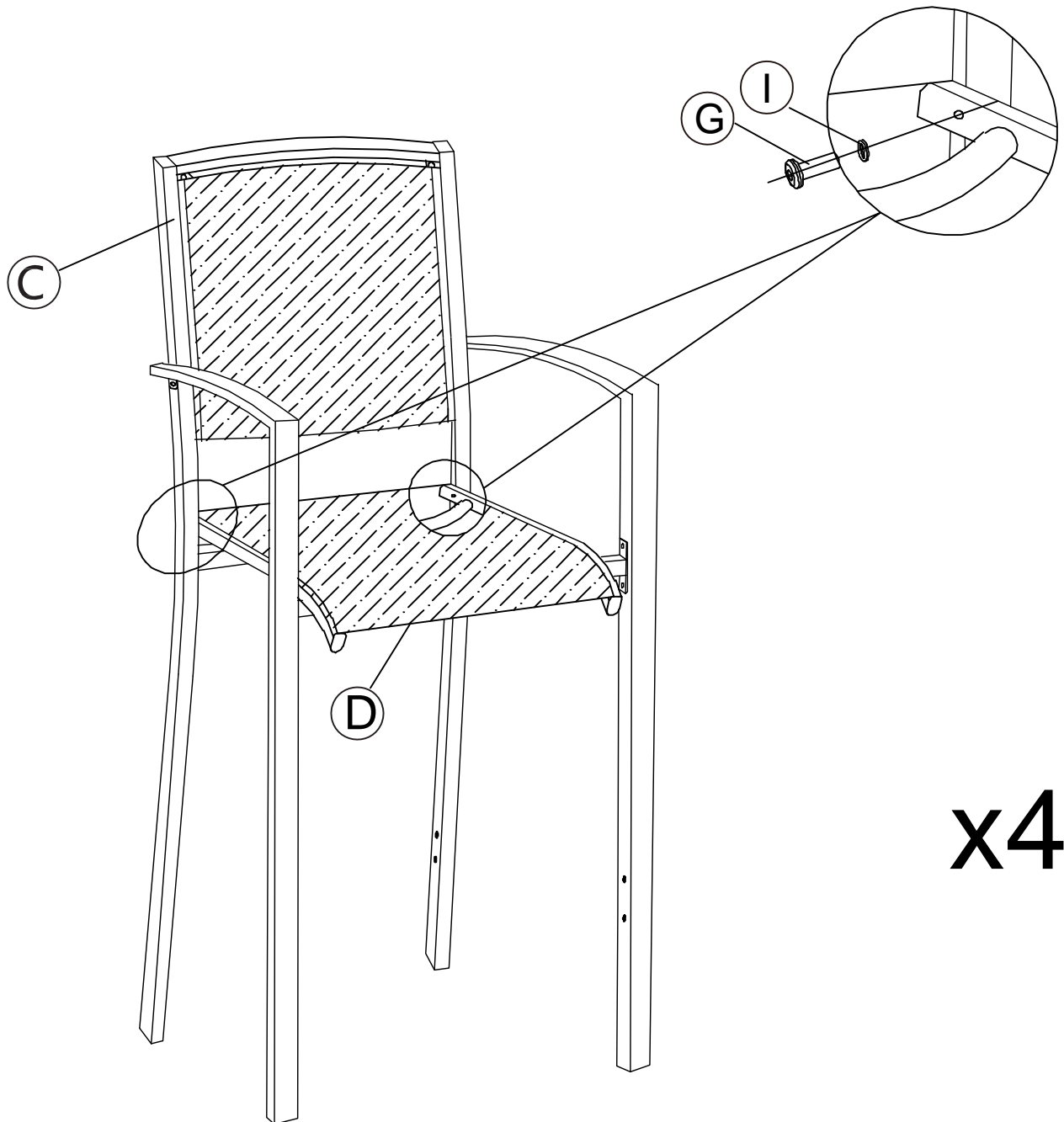


STEP 4







 Ⓔ x 2 M6 x 30 mm	 Ⓛ x 2	 Ⓖ x 1	
--	--	--	--

Fix Chair Seat D to Back C.

DO NOT FULLY TIGHTEN.

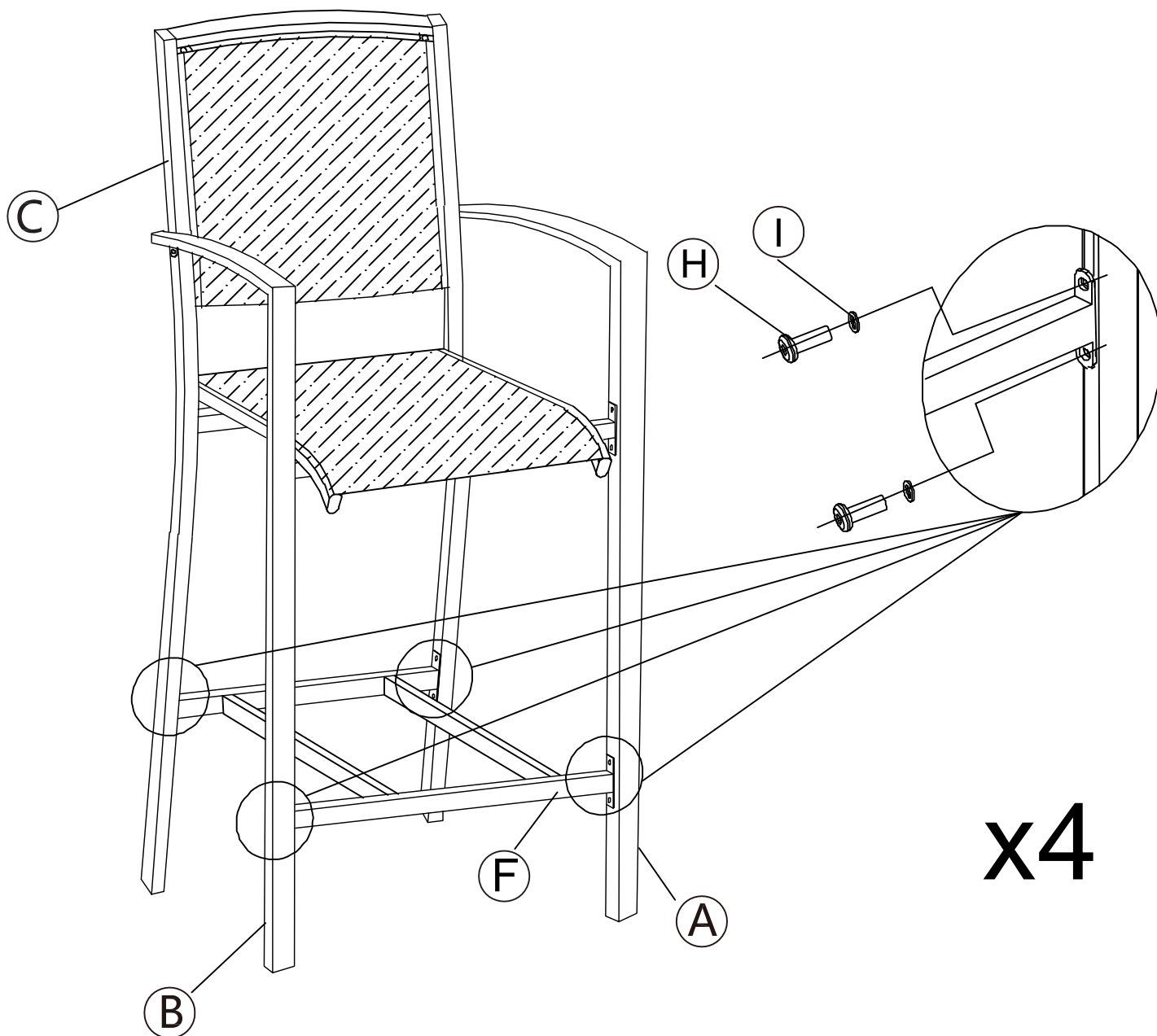


STEP 5

 x 8  M6 x 15 mm	 x 8 	 x 1 	
--	--	--	--

Fix Chair Base F to Armrest A and B and Back C.

DO NOT FULLY TIGHTEN.



**Adjust alignments and NOW
TIGHTEN ALL SCREWS with Allen key (G) .**