

Attention: Do not tighten the bolts and screws before the allen bolts are in place

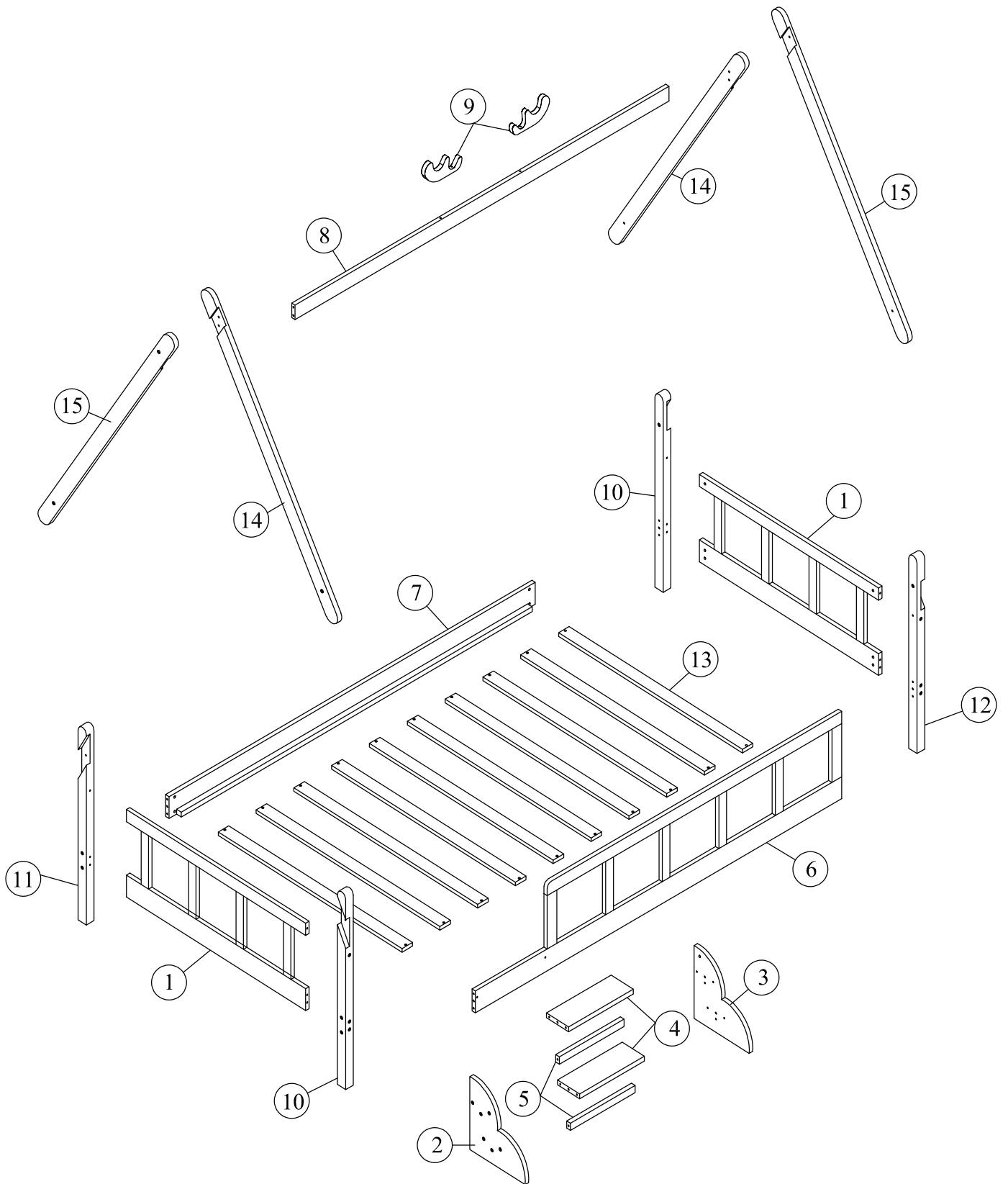
Do not climb or hang heavy product on the front wood bar

Warning: Do not climb or jumping on this bed when the bed is not fully assembly. Any damage or incorrect assembly may cause to injury or hurt. We remind you to use the bed properly.

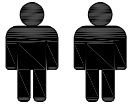
USER'S MANUAL

Twin Bed

Detail:



BEFORE YOU GET STARTED, A FEW POINTS



Having a friend to help makes assembly extra-easy

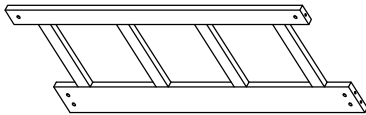


Mind the important safety information

Place all parts on a clean, scratch-free surface.

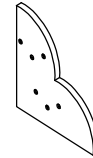
PLEASE MAKE SURE ALL THE PARTS ARE INCLUDED

1



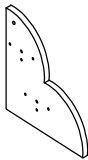
Side Guardrail *2

2



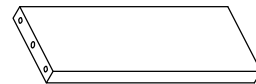
Left Stair frame *1

3



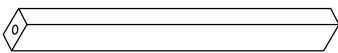
Right Stair Frame *1

4



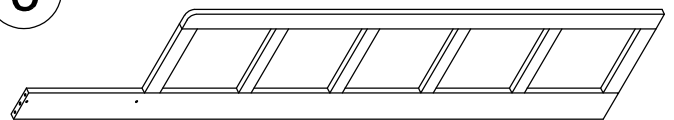
Stair *2

5



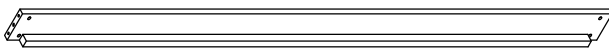
Stair Support *2

6



Front Guardrail *1

7



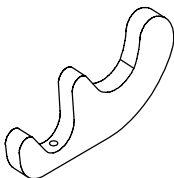
Back Side Rail *1

8



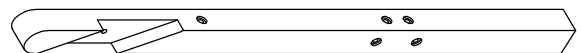
Top Roof Frame *1

9



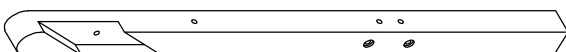
Wooden decor *2

10



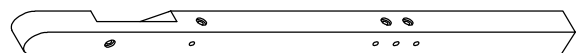
Front Left Leg / Back Right Leg *2

11



Back Left Leg *1

12



Front Right Leg *1

13



Slat *10

14



Left Front / Right Back Roof Frame *2

15



Right Front / Left Back Roof Frame *2

A



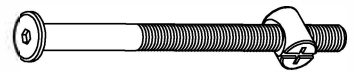
Dowel $\varnothing 8 \times 30 \text{mm}$
(10pcs)

B



Allen key $60 \times 22 \times 4 \text{mm}$
(2pcs)

C



Bolts $M6 \times 90 \text{mm}$
(21pcs)

D



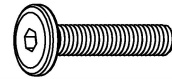
Bolts $M6 \times 70 \text{mm}$
(2pcs)

E



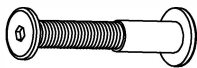
Bolts $M6 \times 60 \text{mm}$
(10pcs)

F



Bolts $M6 \times 30 \text{mm}$
(4pcs)

G



Bolts $M6 \times 30 \text{mm}$
(4pcs)

H



Flat head screw $\#4 \times 50 \text{mm}$
(2pcs)

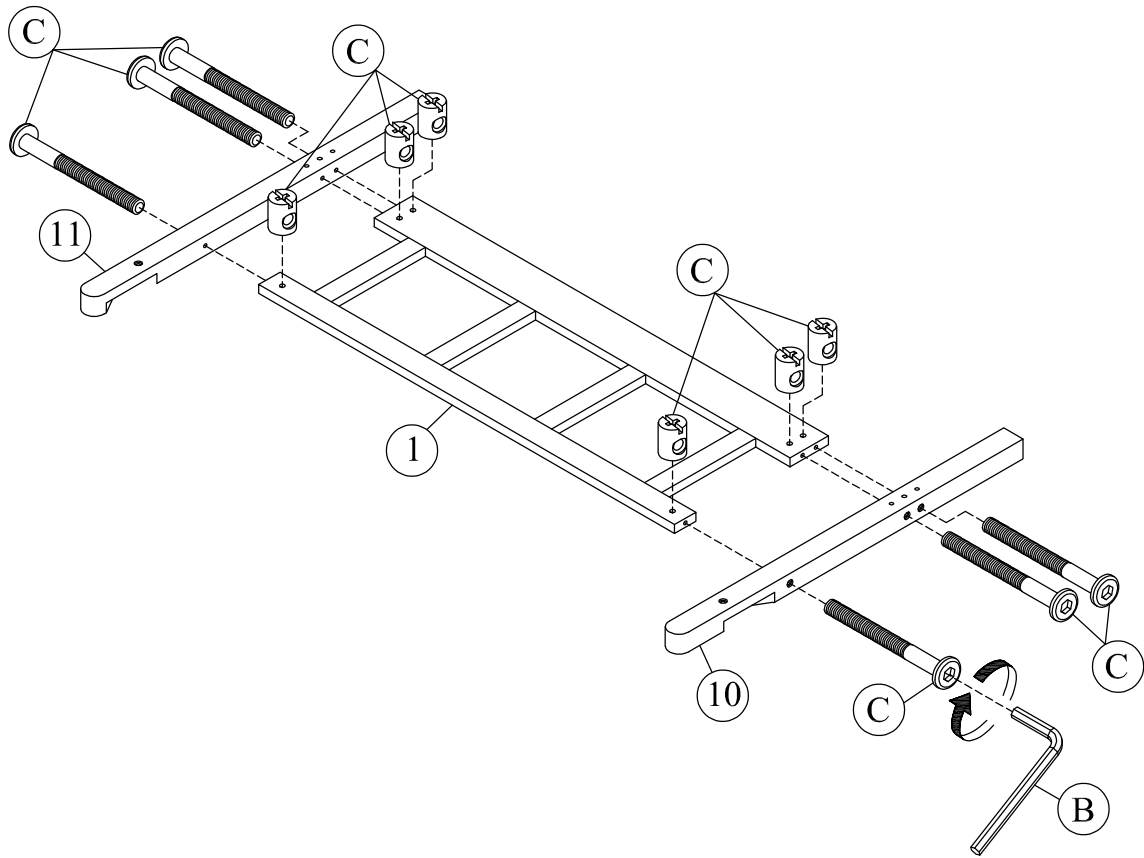
I



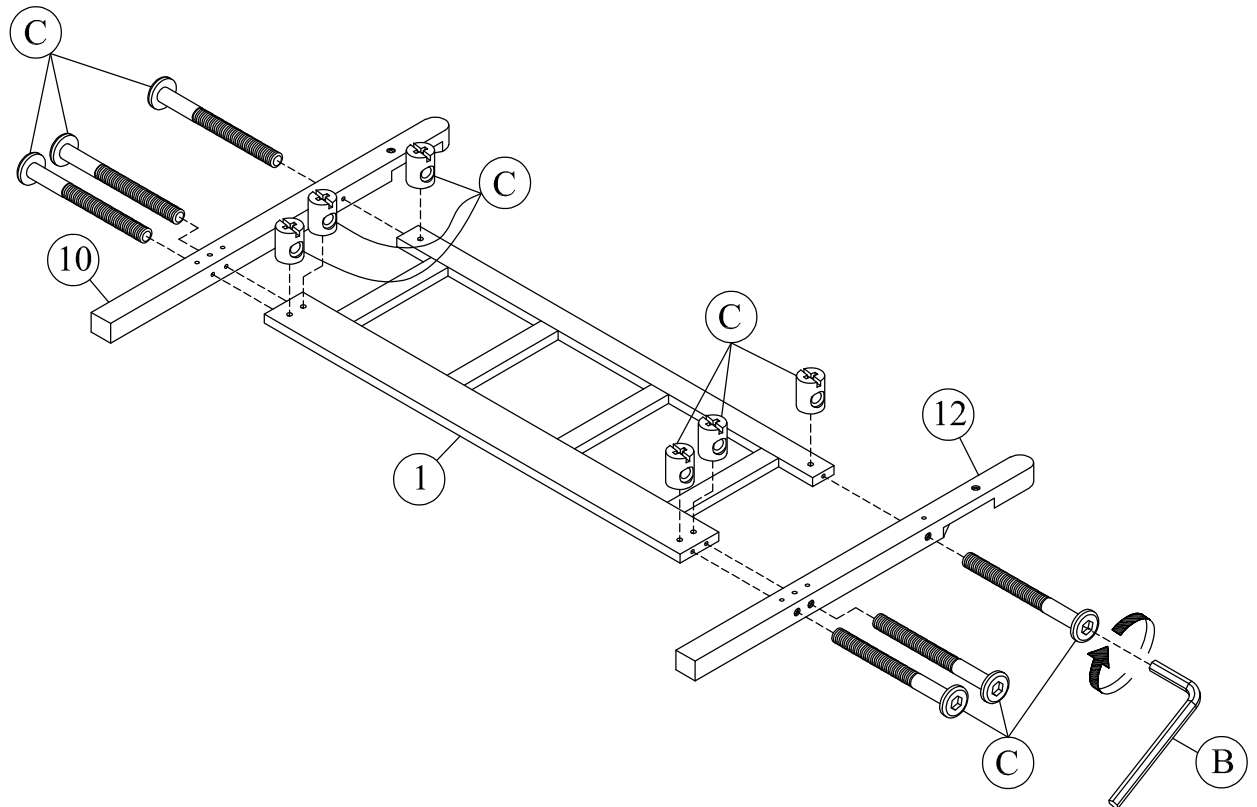
Flat head screw $\#4 \times 30 \text{mm}$
(22pcs)

ASSEMBLY INSTRUCTIONS - ATTENTION

STEP 1

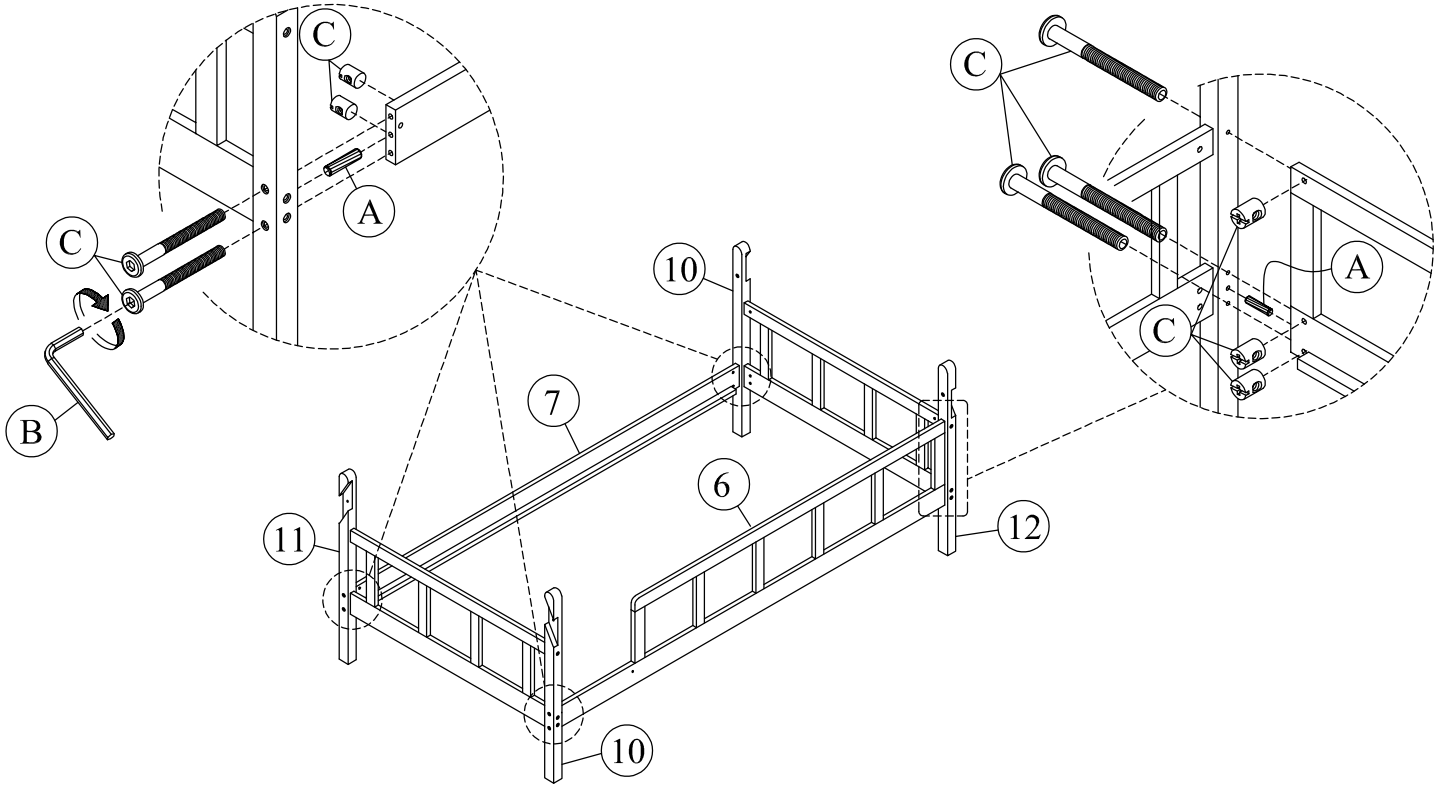


STEP 2

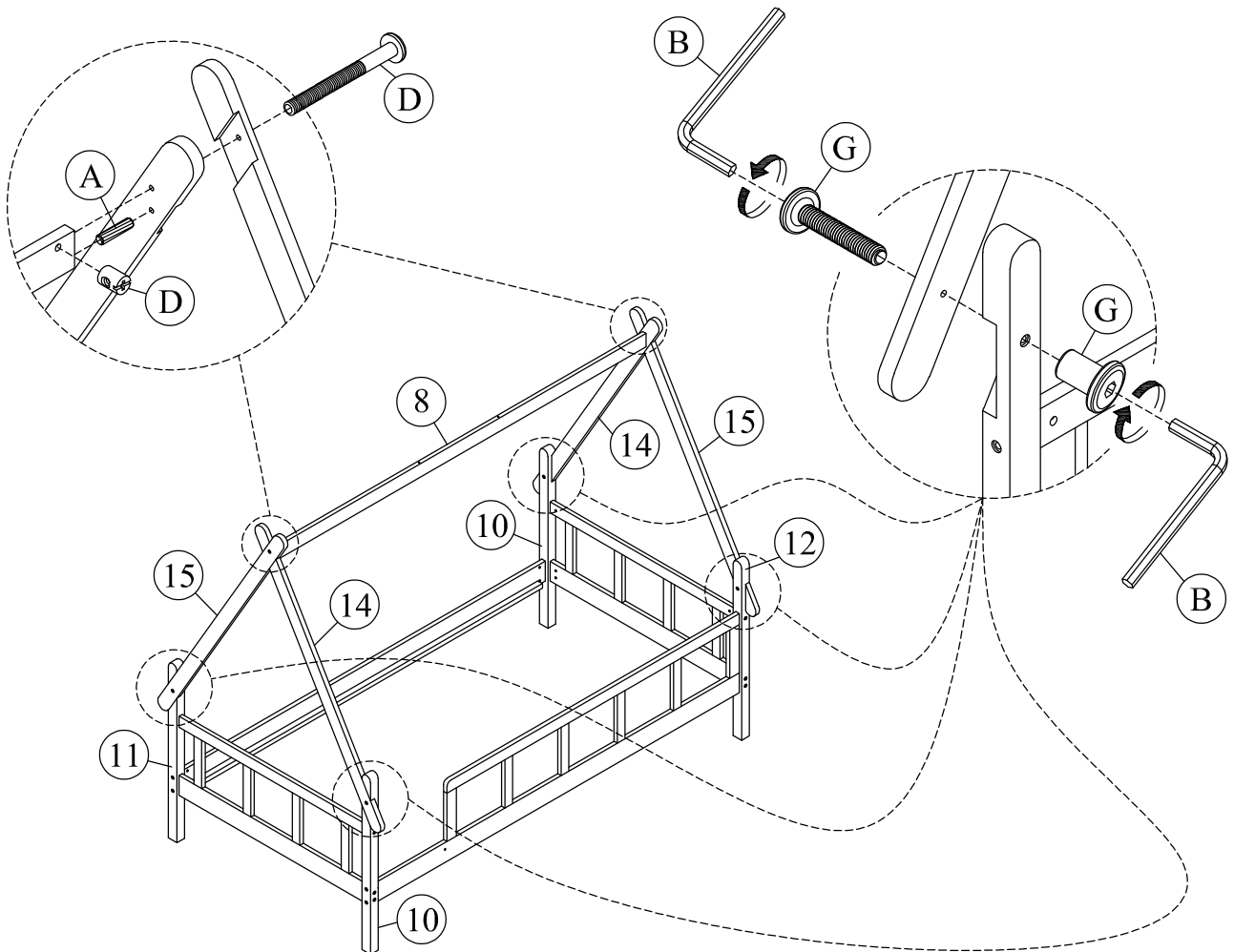


ASSEMBLY INSTRUCTIONS - ATTENTION

STEP 3

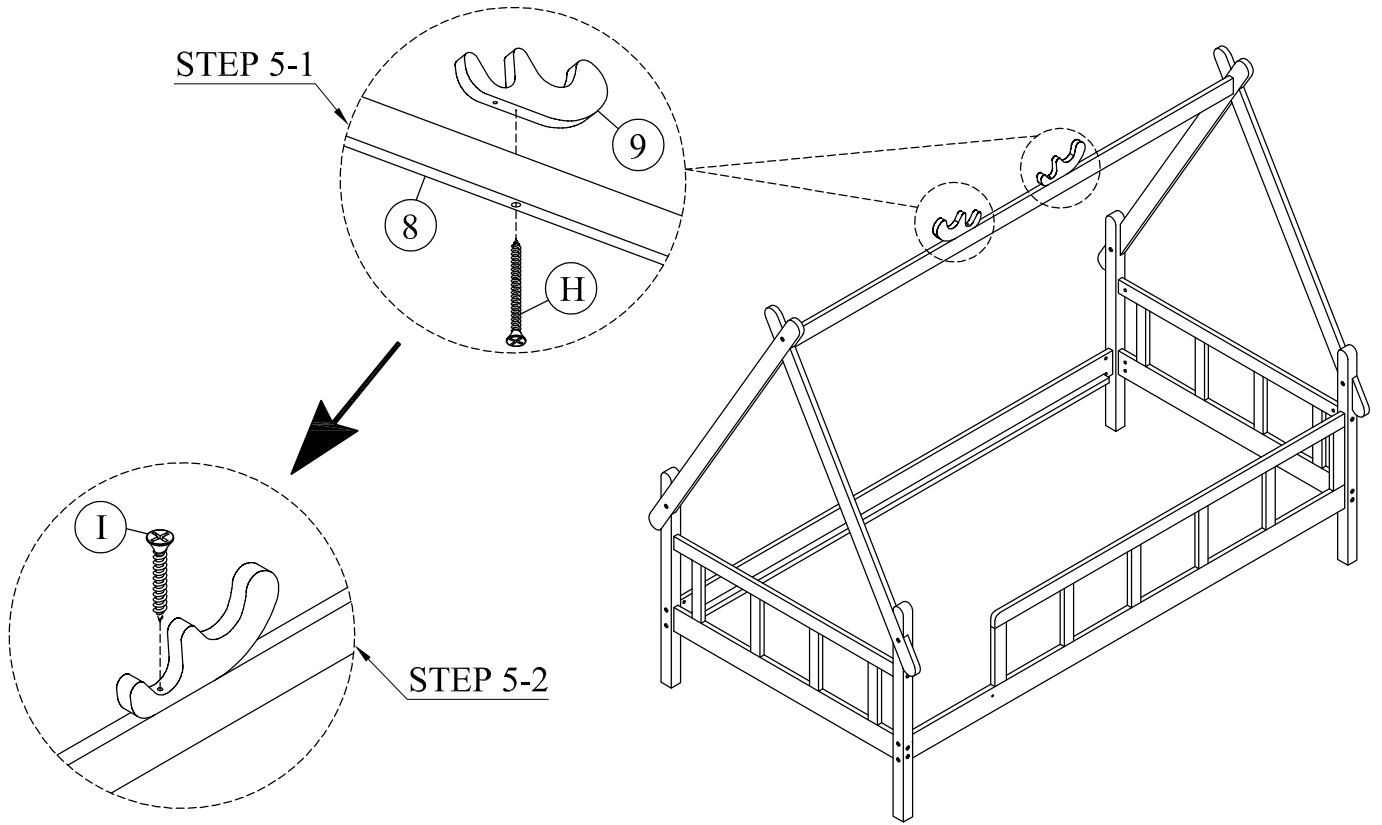


STEP 4

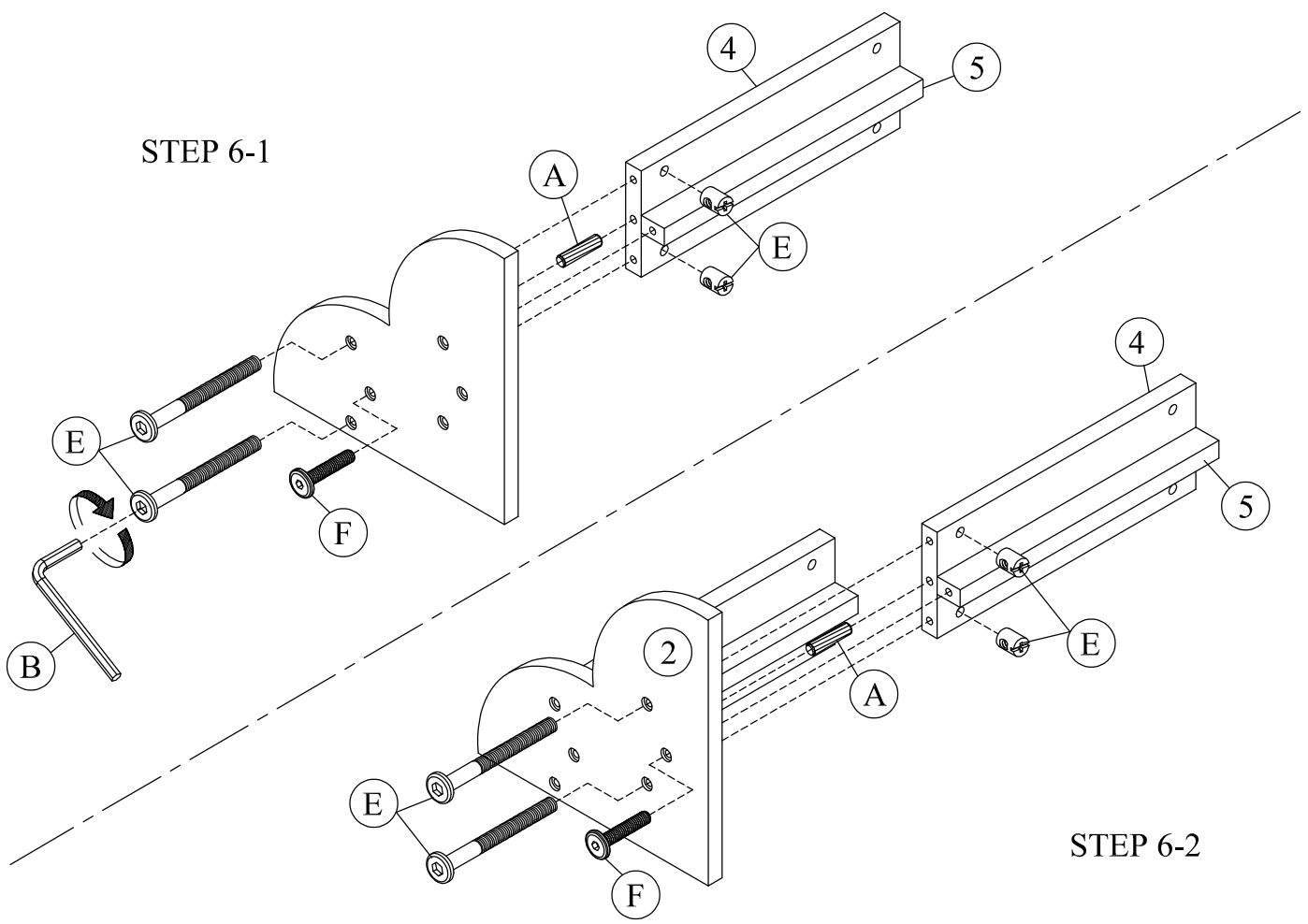


ASSEMBLY INSTRUCTIONS - ATTENTION

STEP 5



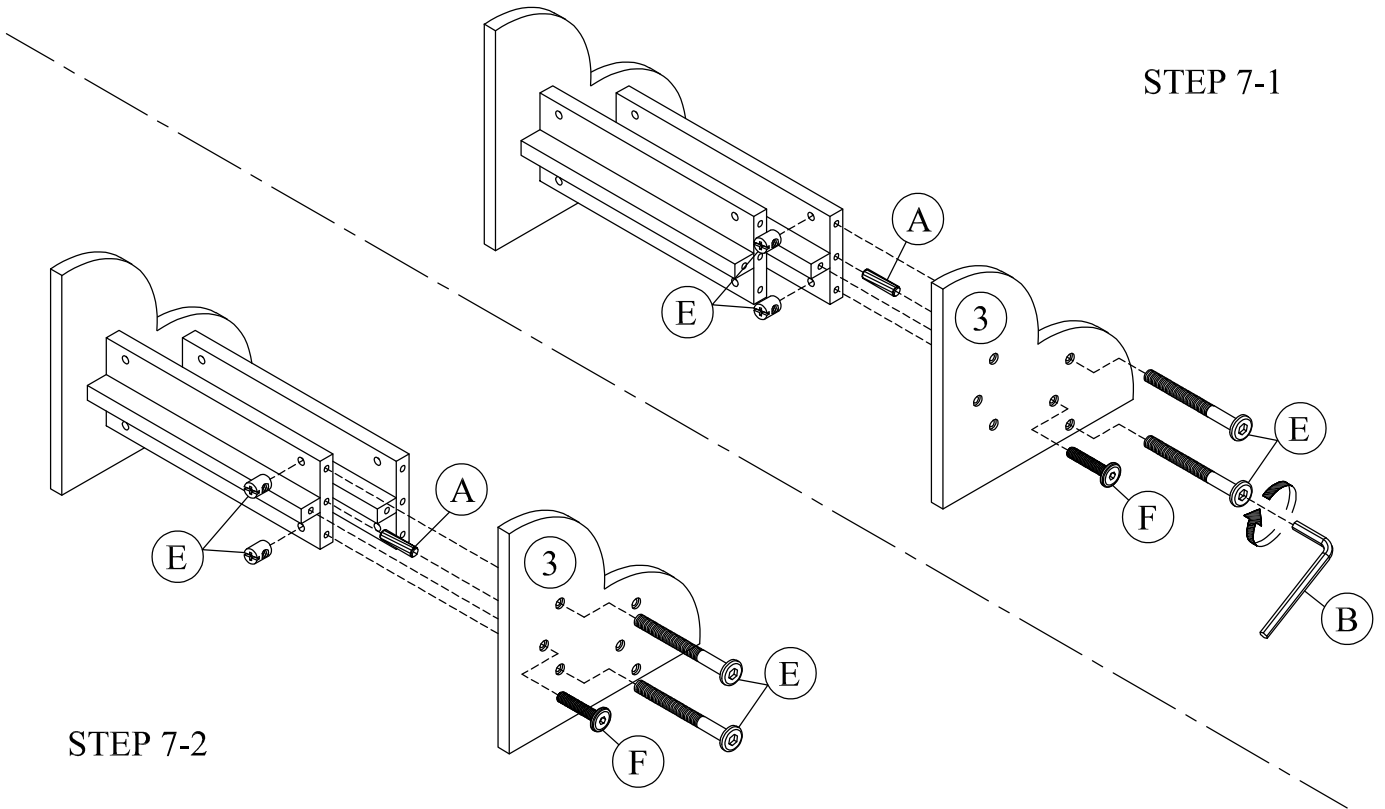
STEP 6



ASSEMBLY INSTRUCTIONS - ATTENTION

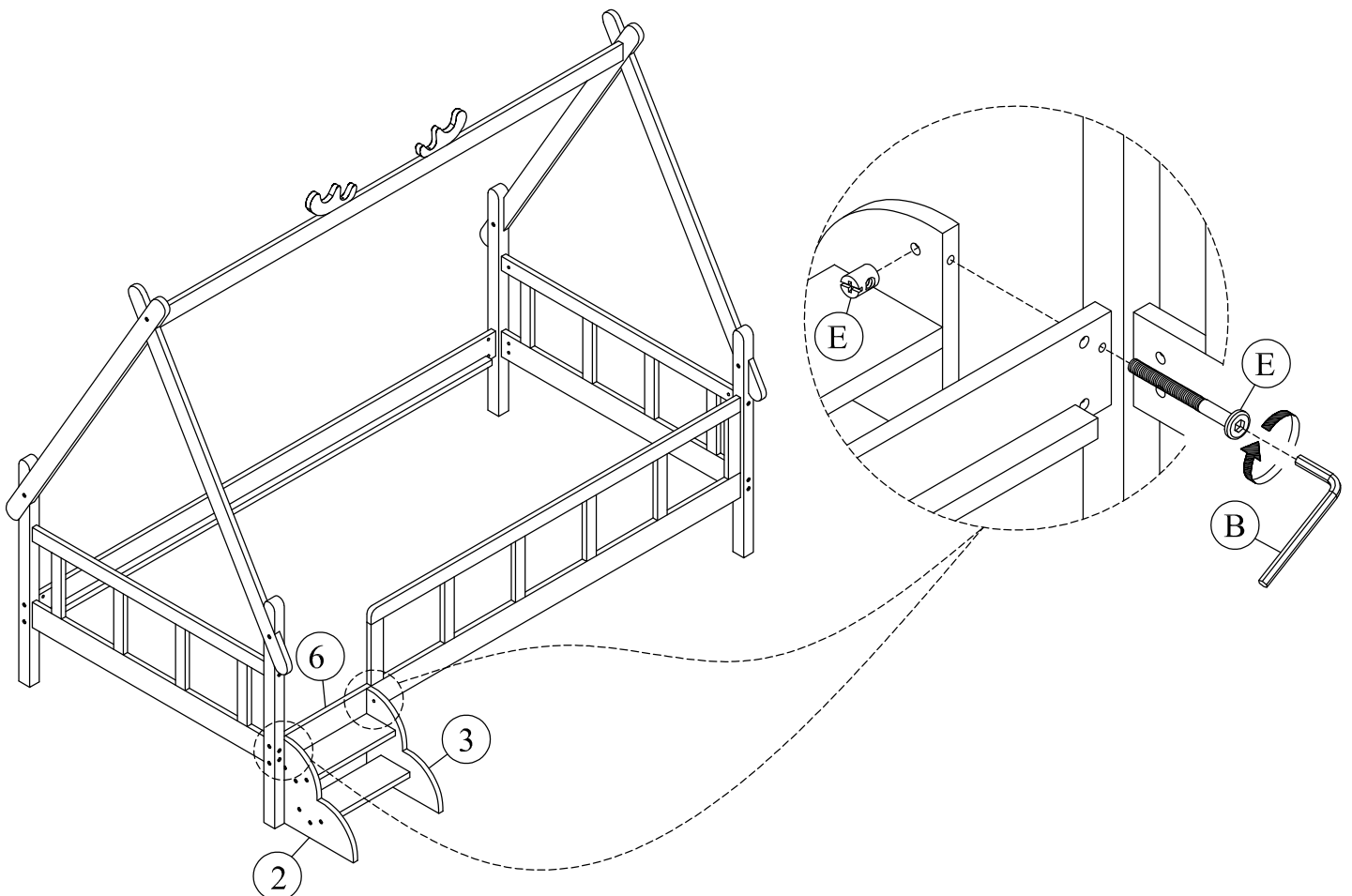
STEP 7

STEP 7-1



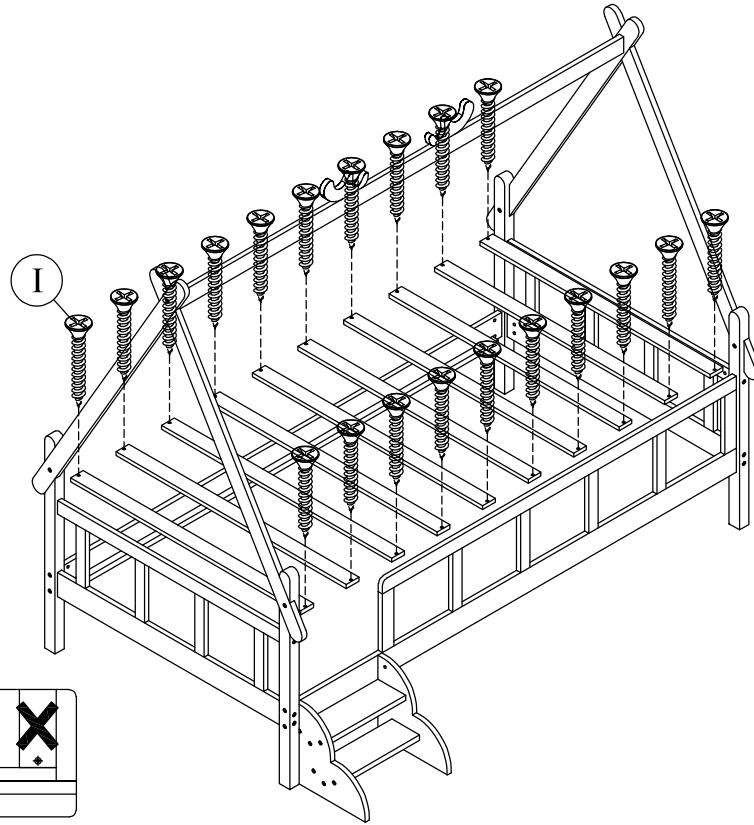
STEP 7-2

STEP 8

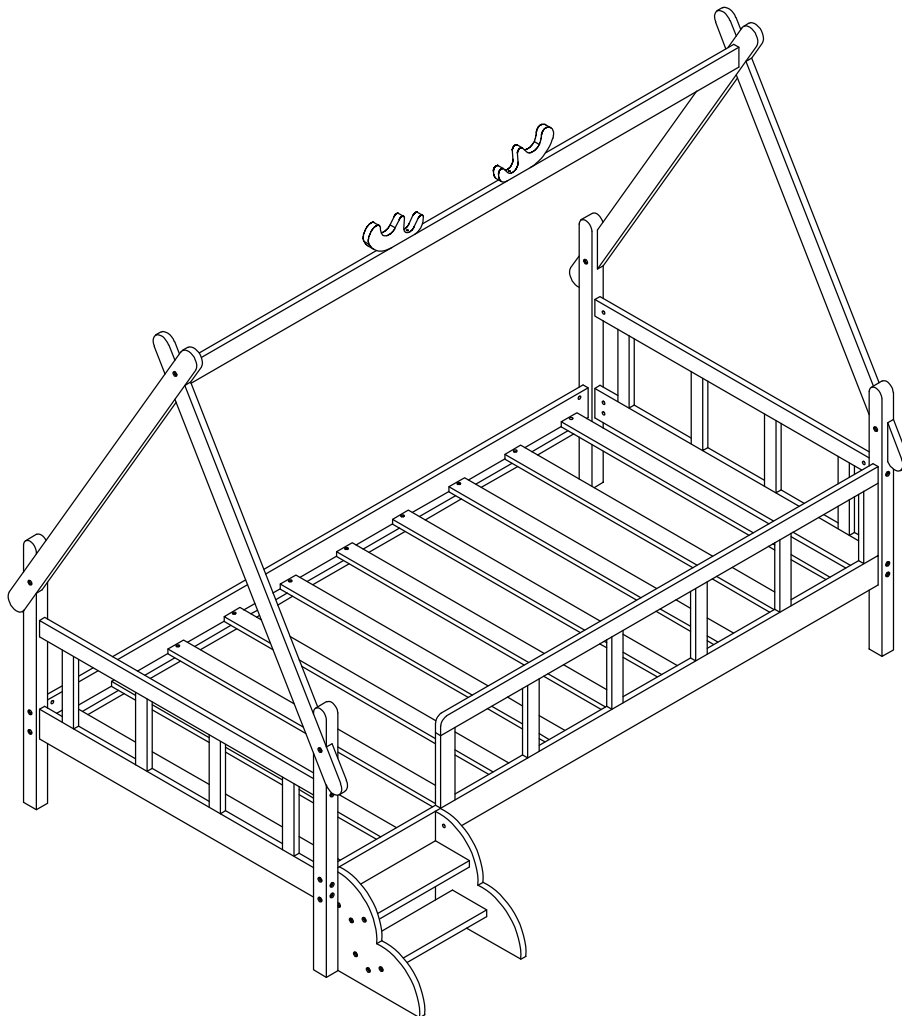


ASSEMBLY INSTRUCTIONS - ATTENTION

STEP 9



COMPLETED.





WARNING



Read the instructions carefully.



Please follow the assembly steps

Safety maximum Weight: 350 LBS

To ensure proper assembly, follow all steps and use all parts, do not use power tools. Failure to follow this warning can result in serious injury to yourself or others.

Please inspect all items before assembly, if for any reason you need to return this item, please kindly return in its original packaging.

To avoid misalignments, leave the screws loose and do not tighten them until all are in their respective places.

Do not tighten all bolts and screws completely until the entire unit has been assembled and set up.

Do not over tighten or force the screws as they could break, strip, or damage the threads of the holes.

Using the wrong size of screws on a part could result in damage to the screw or the part.

Lubricate all moving parts and tighten all bolts/screws every 6 month or whenever needed.

Do not use if this product become damaged, and/or components are broken or missing.