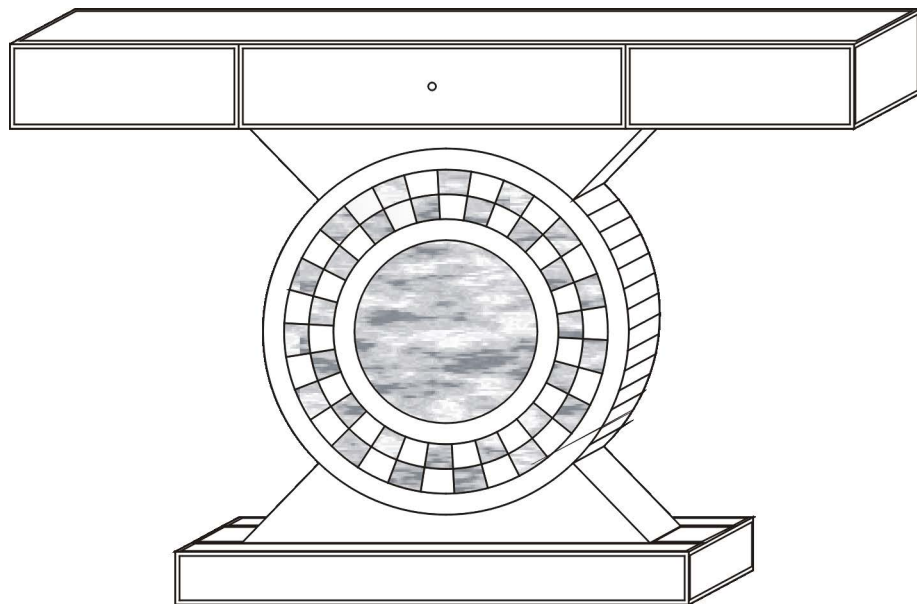
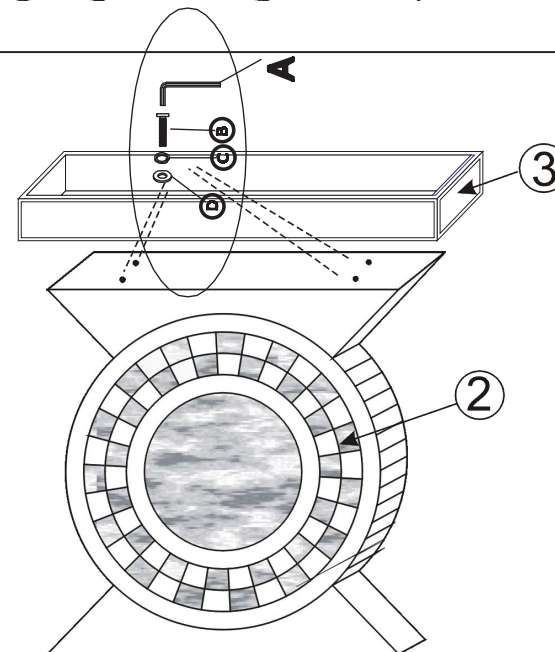


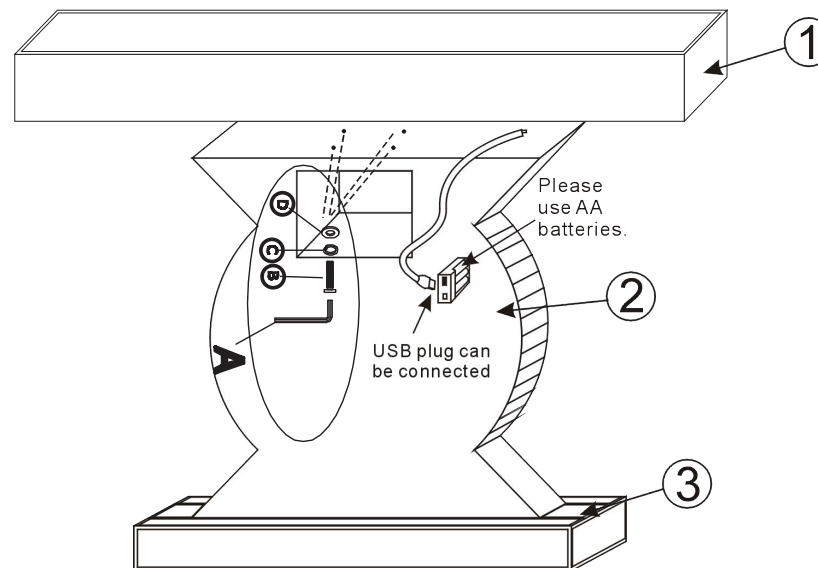
ASSEMBLY INSTRUCTION :



Step 1



Step 2



ASSEMBLY COMPONENTS

