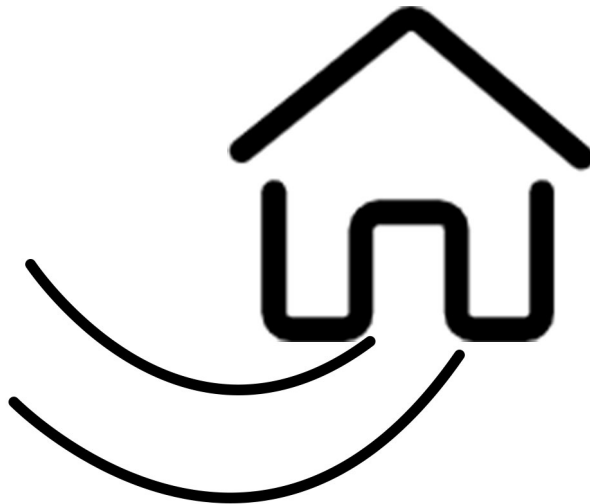


HAPPINESS HAPPINESS INSTALLATION



CAUTION

Parts are placed at the bottom of the product.

- If you have any questions with the product, please contact us by:
- **Email: customerservice@zoy-living.com**
(we will reply to you within 24 hours)

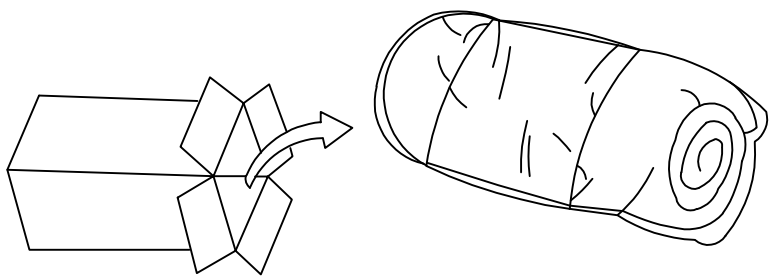
SPECIAL-SHAPED SOFA

ASSEMBLY INSTRUCTION

*Read the instructions before installation.

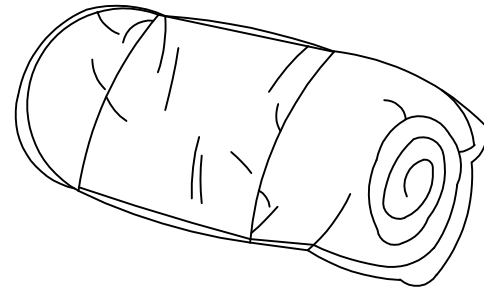
1

Vacuumed pack



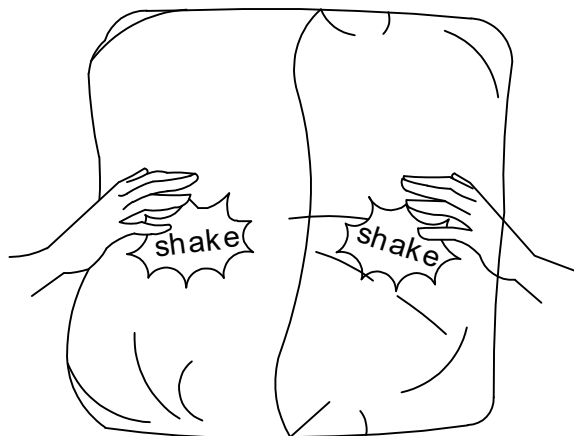
NOTES: Do not use sharp objects to open the outer carton box.

2



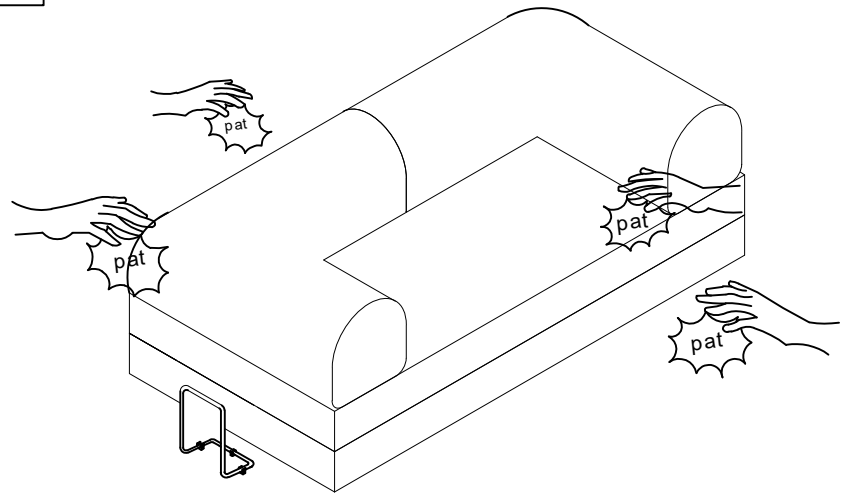
Unpacking the plastic bag.

3



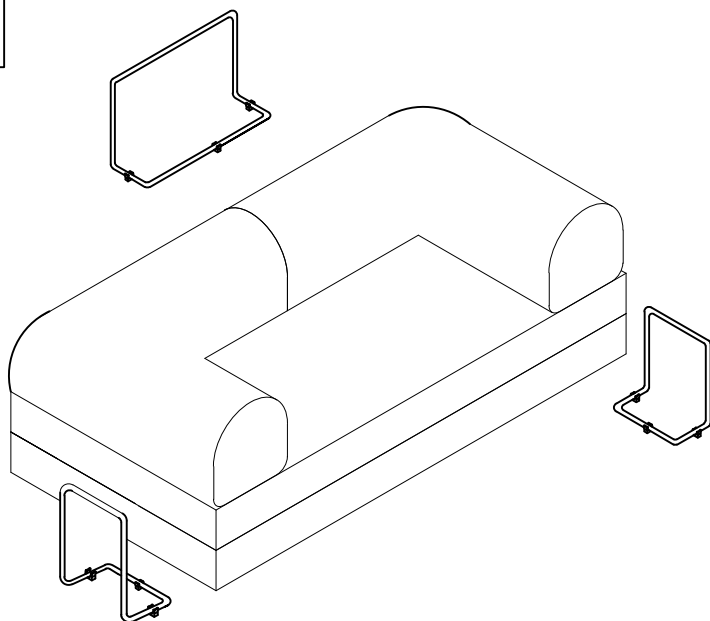
Fully pat and shake the inner cushion for about 10 minutes ensure foam evenly filled in the inner bag.

4



Place the sofa in an upright position, leave the inner cushion to expand for 72 hours. Pat and organize the outer shape of sofa.

5



Now you get a perfect Special-shaped sofa



If your order contains multiple boxes, these boxes may not be delivered on the same day. Please feel free to contact us on platform if you need any help. Thank you for your patience!

SPECIAL-SHAPED SOFA

COMPRESSION SOFA NOTE

1. Remove the package and lay the folded up sofa flat on the floor.
2. Remove the plastic bag avoid using sharp instruments or knives etc. to scratch the fabric.
3. Open the sealed bag after the sofa will immediately rebound part. keep the environment ventilated and dry, tap the sofa to help regain full elasticity. after 72 hours the sofa will be basically rebound complete
4. Due to the characteristics of the compressed sofa itself, there are obvious creases on the fabric cover when it is first opened. In order to make it flat faster, an iron can be used to flatten it.
5. During the use of the sofa, be careful not to keep the floor damp for a long time to avoid mold caused by lack of ventilation.
6. if dirt/oil stains occur during use, please use a specialized fabric cleaner for cleaning.
7. Any question please feel free to contact us, We will provide the assistance within 24 hours.