

HB70H20B
HB70H20C
HB70H20M
HB70H20R



Retro

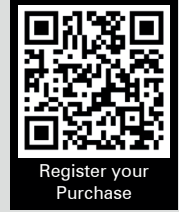
20 Litre Digital Microwave

THANK YOU

For purchasing the Hamilton Beach Retro 20L Digital Microwave

Register your purchase

Thank you for choosing Hamilton Beach. Your appliance is covered by a 2-year warranty. Please register your product after purchase to fully benefit from this warranty.



Scan QR code using mobile device

Or visit: www.hamiltonbeach.co.uk/pages/register-my-warranty

WARRANTY REGISTRATION

Thank you for choosing Hamilton Beach for your home appliances. As part of our commitment to quality, your appliance is covered by a 2-year warranty. To ensure that you enjoy the full benefits of this warranty, we encourage you to register your product after purchase.

Why Register Your Warranty?

- Stay updated: Receive important information about your product.
- Quick assistance: In case you need to contact us in the future, we can help you faster.
- Receive product news, offers and competitions.

How to Register Your Warranty:

To register your product warranty, please gather the following information and scan the QR code above.

- Model number of your appliance.
- Details of your place of purchase.
- Your contact details.

To activate your warranty, please ensure it is registered within 30 days of your purchase. Registrations received after this 30-day window will be considered invalid.

Important: Warranty registrations are only accepted for products purchased in the UK.

For more details, visit: www.hamiltonbeach.co.uk/pages/terms-conditions.

Warranty Registration	1
Specifications	2
Important Safeguards	3
Installation Guide	6
Troubleshooting	7
Product Overview	8
Control Panel	9
Using Your Appliance	10
Utensils Guide	13
Cooking Tips	14
Cleaning & Care	15
Disposing of the Appliance	16
Customer Service	17
Guarantee & Service	18

SPECIFICATIONS

Power Consumption:	230V/50Hz, 1200W (microwave)
Power:	700W
Capacity:	20 Litres
Product Dimensions (cm):	26.2 (H) x 45.2 (W) x 35.2 (L)
Cavity Dimensions (cm):	17.8 (H) x 31.5 (W) x 29.6 (L)
Net Weight:	Approx. 10.5 kg

IMPORTANT SAFEGUARDS



Attention: Before using, read all instructions carefully. Always follow basic safety precautions when using electrical appliances, including the guidelines below:

Precautions to avoid possible exposure to excessive microwave energy:

1. Do not attempt to operate this oven with the door open since open-door operation can result in harmful exposure to microwave energy. It is important not to defeat or tamper with the safety interlocks.
2. Do not place any object between the oven front face and the door or allow soil or cleaner residue to accumulate on sealing surfaces.
3. Do not operate the oven if it is damaged. It is very important that the oven door close properly and that there is no damage to the
 - a). Door (including any bent),
 - b). Hinges and latches (broken or loosened),
 - c). Door seals and sealing surfaces.
4. The oven should not be adjusted or repaired by anyone except qualified service personnel.

Important safety instructions:

When using electrical appliances, basic safety precautions should be followed, including the following:

WARNING!--To reduce the risk of burns, electric shock, fire, injury to persons or exposure to excessive microwave energy:

1. Use this appliance only for its intended use as described in this manual. Do not use corrosive chemicals or vapors in this appliance. This type of oven is specifically designed to heat, cook or dry food. It is not designed for industrial or laboratory use.
2. Do not operate the oven when empty.
3. Do not operate this appliance if it has a damaged cord or plug, if it is not working properly, or if it has been damaged or dropped. If the supply cord is damaged, it must be replaced by the manufacturer or its service agent or a similar qualified person in order to avoid a hazard.
4. **WARNING!--**Only allow children to use the oven without supervision when adequate instructions have been given so that the child is able to use the oven in a safe way and understands the hazards of improper use.

5. To reduce the risk of fire in the oven cavity:
 - a). When heating food in plastic or paper container, keep an eye on the oven due to the possibility of ignition.
 - b). Remove wire twist-ties from paper or plastic bags before placing bag in oven.
 - c). If smoke is observed, switch off or unplug the appliance and keep the door closed in order to stifle any flames.
 - d). Do not use the cavity for storage purposes. Do not leave paper products, cooking utensils, or food in the cavity when not in use.
 - e). The microwave oven is intended for heating food and beverages. Drying of food or clothing and heating of warming pads, slippers, sponges, damp cloths or any similar products may lead to risk of injury, ignition or fire.
6. **WARNING!**--Liquid or other food must not be heated in sealed containers since they are liable to explode.
7. Microwave heating of beverages can result in delayed eruptive boiling, therefore care has to be taken when handling the container.
8. Do not fry food in the oven. Hot oil can damage oven parts and utensils and even result in skin burns.
9. Eggs in their shell and whole hard boiled eggs should not be heated in microwave ovens since they may explode even after microwave heating has ended.
10. Pierce foods with heavy skins such as potatoes, whole squashes, apples and chestnuts before cooking.
11. The contents of feeding bottles and baby food jars should be stirred or shaken and the temperature should be checked before serving in order to avoid burns.
12. Cooking utensils may become hot because of heat transferred from the heated food. Potholders may be needed to handle the utensil.
13. Utensils should be checked to ensure that they are suitable for use in a microwave oven.
14. **WARNING!**--It is hazardous for anyone other than a trained person to carry out any service or repair operation which involves the removal of any cover which gives protection against exposure to microwave energy.
15. This product is a Group 2 Class B ISM equipment. The definition of Group 2 which contains all ISM (Industrial, Scientific and Medical) equipment in which radio-frequency energy is intentionally generated and/or used in the form of

IMPORTANT SAFEGUARDS

electromagnetic radiation for the treatment of material, and spark erosion equipment. Class B equipment is suitable for use in domestic establishments and in establishments directly connected to a low voltage power supply network which supplies buildings used for domestic purposes.

16. This appliance is not intended for use by persons (including children) with reduced physical, sensory or mental capabilities, or lack of experience and knowledge, unless they have been given supervision or instruction concerning use of the appliance by a person responsible for their safety.
17. Children should be supervised to ensure that they don't play with the appliance.
18. The microwave oven is only to be used as freestanding.
19. **WARNING!**--Do not install oven over a range cook top or any other heat producing appliance. If installed could be damaged and the warranty would be void.
20. The microwave oven must not be placed in a cabinet.
21. **WARNING!**--The appliance and its accessible parts become hot during use.
22. **WARNING!**--Accessible parts may become hot during use. Young children should be kept out of the way.
23. During use the appliance will become hot. Care should be taken to avoid touching heating elements inside the oven.
24. The temperature of accessible surfaces may be high when the appliance is operating.
25. The appliance shall be placed against a wall.
26. The appliance is not intended to be operated by means of an external timer or separate remote-control system.
27. The microwave oven is for household use only and not for commercial use.
28. Never remove the distance holder in the back or on the sides, as it ensures a minimum distance from the wall for air circulation.
29. Please secure the turntable before you move the appliance to avoid damage.
30. The microwave oven is intended for defrosting, cooking and steaming food only.
31. **CAUTION!**--Steam will escape, when opening lids or plastic film.
32. If smoke is emitted, switch off or unplug the appliance and keep the door closed in order to stifle any flames.

Installation Guide:

1. Make sure that all the packing materials are removed from the inside of the door.
2. **.WARNING!--**Check the oven for any damage, such as misaligned or bent door, damaged door seals and sealing surface, broken or loose door hinges and latches and dents inside the cavity or on the door. If there is any damage, do not operate the oven and contact qualified service personnel.
3. This microwave oven must be placed on a flat, stable surface to hold its weight and the heaviest food likely to be cooked in the oven.
4. Do not place the oven where heat, moisture, or high humidity are generated, or near combustible materials.
5. For correct operation, the oven must have sufficient airflow. Allow 20cm of space above the oven, 10cm at back and 5cm at both sides. Do not cover or block any openings on the appliance. Do not remove feet.
6. Do not operate the oven without glass tray, roller support, and shaft in their proper positions.
7. Make sure that the power supply cord is undamaged and does not run under the oven or over any hot or sharp surface.
8. The socket must be readily accessible so that it can be easily unplugged in an emergency.
9. Do not use the oven outdoors.

Grounding Instructions:

1. Ensure this appliance is grounded by plugging it into a properly installed grounded outlet. Grounding reduces electric shock risk in case of a short circuit. Use a dedicated circuit for the oven and avoid high voltage to prevent fire or damage.
2. **.WARNING!--**Improper use of the grounding plug can result in a risk of electric shock.
3. If you have any questions about the grounding or electrical instructions, consult a qualified electrician or service person.
4. Neither the manufacturer nor the dealer can accept any liability for damage to the oven or personal injury resulting from failure to observe the electrical connection procedures.
5. The wires in this cable main are colored in accordance with the following code:
 - **Green and Yellow = EARTH**
 - **Blue = NEUTRAL**
 - **Brown = LIVE**

INSTALLATION GUIDE

Radio Interference:

1. Operation of the microwave oven can cause interference to your radio, TV, or similar equipment. When there is interference, it may be reduced or eliminated by taking the following measures:
2. 1. Clean door and sealing surface of the oven.
3. 2. Reorient the receiving antenna of radio or television.
4. 3. Relocate the microwave oven with respect to the receiver.
5. 4. Move the microwave oven away from the receiver.
6. 5. Plug the microwave oven into a different outlet so that microwave oven and receiver are on different branch circuits.

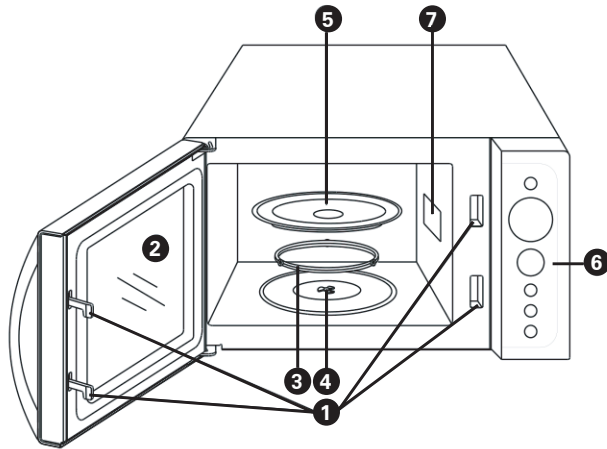
TROUBLESHOOTING

Please check the following before contacting customer services;

1. If the oven fails to operate:
2. Check to ensure that the oven is plugged in securely. If it is not, remove the plug from the outlet, wait 10 seconds, and plug it in again securely.
3. Check for a blown circuit fuse or a tripped main circuit breaker. If these seem to be operating properly, test the outlet with another appliance.
4. Check to ensure that the control panel is programmed correctly and the timer is set.
5. Check to ensure that the door is securely closed engaging the door safety lock system. Otherwise, the microwave energy will not flow into the oven.

If none of the solutions above resolves the issue, please reach out to our Customer Services Team. Do not attempt to adjust or repair the microwave oven yourself.

PRODUCT OVERVIEW



Product Features:

- ① **Door Lock:**
Microwave oven door must be properly closed in order for it to operate.
- ② **Viewing Window:**
Allows user to see the cooking status.
- ③ **Rotating Ring:**
The glass turntable is supported and balanced by the rings wheels.
- ④ **Rotating Axis:**
The glass turntable rotates on its axis, driven by the underlying motor.
- ⑤ **Turntable:**
The rotating turntable ensures even cooking.



CAUTION:

- Place the rotating ring first
- Place the turntable on the rotating axis, ensuring it is securely aligned.

- ⑥ **Control Panel:**
See below in details (the control panel is subject to change)
- ⑦ **Wave guide Cover:**
It is inside the microwave oven, next to the wall of the control panel.



WARNING:

- Never remove the wave guide cover.

Defrost/Clock:

- Press once to defrost food by time
- Press twice to defrost food by weight.
- Use to set the clock.

Weight/Time Dial:

- Turn to set time, food weight or servings.

Start/Quick Start Dial:

- Press the dial to start cooking programs.
- Press the dial to set express cooking program.

Power:

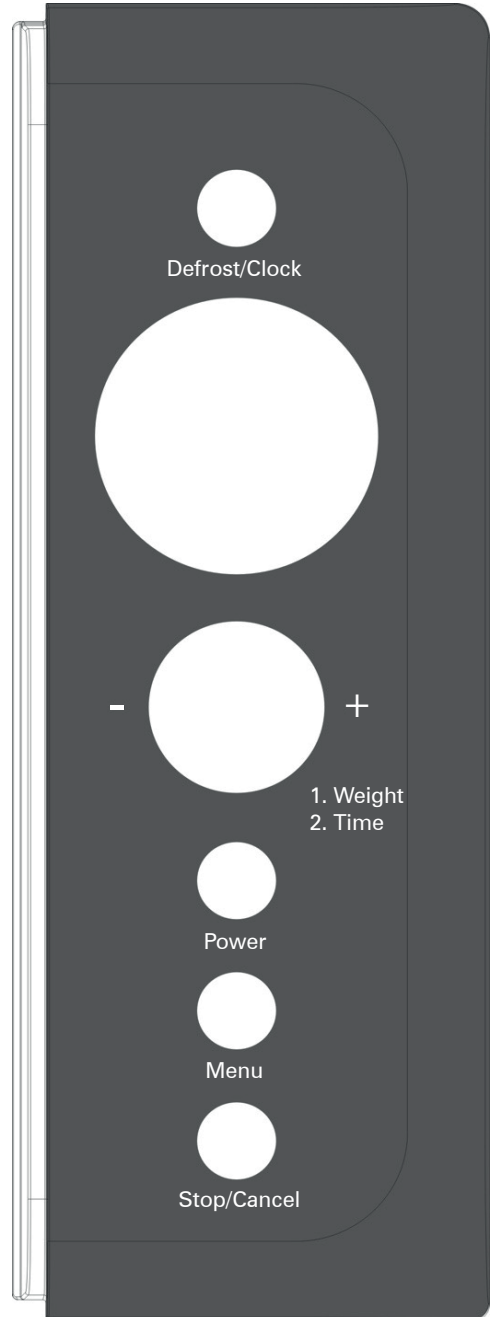
- Press to set microwave cooking power level.

Menu:

- Press to select auto cooking menus.

Stop/Cancel:

- Press once to pause cooking or twice to cancel the cooking program. This is also used to activate the child lock safety feature.



USING YOUR APPLIANCE

Selecting Power Level:

- During cooking, check the power level by pressing the POWER button. Press the POWER button repeatedly to set the power level:

Press POWER button	Cooking Power (Display)
Once	0% (00)
Twice	20% (20)
3 Times	40% (40)
4 Times	60% (60)
5 Times	80% (80)
6 Times	100% (100)

- Turn the WEIGHT/TIME dial clockwise to set the cooking time (up to 60 minutes).
- Press the START/QUICK START button to confirm.

Choosing 12 or 24-Hour Clock:

- In standby mode, press and hold the DEFROST/CLOCK button for 3 seconds to select a 12-hour clock. Press it again to select a 24-hour clock.

Setting the Clock:

- Turn the WEIGHT/TIME dial to set the hour digit.
- Press the DEFROST/CLOCK button.
- Turn the WEIGHT/TIME dial to set the minute digit.
- Press the DEFROST/CLOCK button to confirm.
- Note: During cooking, you can check the clock time by pressing the DEFROST/CLOCK button.

General Information

- When the oven is first plugged in, a beep will sound, and the display will show "🕒" and "1:00".
- If the microwave is left idle for more than 20 seconds during setup, it will return to standby mode.
- During a cooking program, press the STOP/CANCEL button to pause the program. Press the START/QUICK START button to resume. Press the STOP/CANCEL button twice to cancel the program.
- After cooking ends, the display will show "End" and the beep will sound every two minutes until the user presses any button or opens the door.

Programming Your Microwave for Multi-Stage Cooking:

Your oven can be programmed for up to three automatic microwave cooking sequences. Here's how to set a multi-stage cooking program:

First Cooking Sequence:

- Input the first microwave cooking program but do not press the START/QUICK START button.
- Second Cooking Sequence: Input the second microwave cooking program.
- Start Cooking: Press the START/QUICK START button to confirm and begin the multi-stage cooking process.
- Note: Express cooking, speed defrost, weight defrost, and auto cook menus cannot be used in multi-stage cooking.

Multi-Stage Cooking Instructions:

Defrosting Setup:

- In standby mode, press the DEFROST/CLOCK button once.
- Turn the WEIGHT/TIME dial to set the defrosting time (up to 60 minutes).
- Press the START/QUICK START button to confirm.
- Note: During defrosting, the system will pause and beep to remind you to turn the food over. After turning the food, press the START/QUICK START button to resume defrosting.

Speed Defrost:

The defrosting time and power are automatically adjusted based on the programmed weight of the food, ranging from 100g to 1800g.

Setup:

- In standby mode, press the DEFROST/CLOCK button twice.
- Turn the WEIGHT/TIME dial to select the food weight.
- Press the START/QUICK START button to confirm.
- Note: During defrosting, the system will pause to remind you to turn the food over. After turning the food, press the START/QUICK START button to resume defrosting.

USING YOUR APPLIANCE

Weight Defrost:

Use this feature to microwave food at 100% power with ease.

Setup:

- In standby mode, press the START/QUICK START button repeatedly to set the cooking time (each press increases the time by 30 seconds, up to 10 minutes).
- The oven will start cooking automatically.

Express Cooking:

- Press the START/QUICK START button to quickly set cooking times in 30-second increments, up to 10 minutes. The oven will start immediately.

Auto Cook Instructions:

- For Beverage and Potato, the display will show the number of servings instead of food weight.
- The outcome of auto cooking can vary based on factors such as the shape and size of the food, personal preference for doneness, and how well the food is placed in the microwave oven. If the result is not satisfactory, please adjust the cooking time accordingly.

Code	Food	Note
A-1	Beverage (200 ml/cup, 1-3 cups)	<ul style="list-style-type: none">• For Beverage and Potato, the display will show the number of servings instead of food weight.• The result of auto cooking depends on factors such as the shape and size of food, your personal preference as to the doneness of certain foods and even how well you happen to place food in the microwave oven. If you find the result at any rate not satisfactory, please adjust the cooking time accordingly.
A-2	Rice (150-600 g)	
A-3	Pasta (100 g, 200 g, 300 g)	
A-4	Potato (230 g, 1-3 servings)	
A-5	Reheat (200-800g)	
A-6	Fish (200-600g)	
A-7	Pizza (150 g, 300 g, 450 g)	
A-8	Popcorn (100 g)	

To use Auto Cook:

- In standby mode, press the MENU button repeatedly to select the menu code.
- Turn the WEIGHT/TIME dial to set the food weight or number of servings.
- Press the START/QUICK START button to confirm.

Child Lock Instructions:

To prevent unsupervised operation of the oven by children, you can set the child lock.

Setting the Child Lock:

- In standby mode, press and hold the STOP/CANCEL button for 3 seconds. A beep will sound, and the oven will automatically enter child lock mode. The lock indicator light will turn on.
- In the lock state, all buttons are disabled.
- To cancel the Child Lock:
- Press and hold the STOP/CANCEL button for 3 seconds. A beep will sound, and the lock indicator light will turn off.

UTENSILS GUIDE

It is highly advised to use containers that are safe and suitable for microwave cooking. Typically, containers made of heat-resistant ceramic, glass, or plastic are appropriate for microwave use. Avoid using metal containers for microwave and combination cooking to prevent sparks. Please refer to the table below for guidance.

Material of Container	Microwave	Notes
Heat-Resistant Ceramic	Yes	Never use ceramics which are decorated with a metal rim or glazed.
Heat-Resistant Plastic	Yes	Not suitable for prolonged microwave cooking.
Heat-Resistant Glass	Yes	Suitable for microwave cooking.
Grill Rack	No	Never use metal when microwave cooking.
Plastic Film	Yes	Do not use plastic film in the microwave as it may melt, release harmful chemicals, and pose a risk of contaminating the food.

COOKING TIPS

Cooking Result Factors:

- **Food Arrangement:** Place thicker sections near the outer edges, thinner parts in the centre. Spread evenly to avoid overcooking, smoke, and burns.
- **Cooking Time:** Start with shorter settings and adjust. Overcooking may lead to smoke or burns.
- **Cooking Evenly:** Turn meats once during cooking and stir from the outer edges towards the centre.
- **Standing Time:** Allow food to rest in the oven after cooking to finish properly and cool gradually.
- **Determining Doneness:**

Check that:

1. Steam is coming from all parts of the food, not just the edges.
 2. Poultry joints move easily.
 3. Pork or poultry shows no signs of blood.
 4. Fish is opaque and flakes easily with a fork.
- **Browning Dish Use:**
 - Always place a heat-resistant insulator (e.g., a porcelain plate) under a browning dish to avoid damaging the turntable or rotating ring.
 - **Microwave-Safe Plastics:**
 - 1. Plastic Film: If cooking high-fat food, ensure the film does not touch the food to prevent melting.
 - 2. Plastic Cookware: Certain microwave-safe plastic cookware is not suitable for high-fat or high-sugar content cooking, and avoid prolonged use.

CLEANING & CARE

Always disconnect the appliance from the power outlet and allow it to cool down completely before cleaning.



CAUTION!--Do not immerse the cord, electric plugs, or the microwave in water or any other liquids to protect against fire, electric shock, or personal injury.

Cleaning the Interior:

- Wipe the oven interior with a damp cloth and mild detergent. Avoid harsh chemicals to prevent staining or dulling the door surface.

Cleaning the Exterior:

- Clean the exterior surfaces with a damp cloth, ensuring no water enters the ventilation openings to prevent damage to internal components.

Cleaning the Door and Seals:

- Regularly wipe the door, window, seals, and surrounding areas with a damp cloth. Avoid abrasive cleaners.

Control Panel Care:

- Keep the control panel dry. Clean it with a soft, damp cloth.
- When cleaning the control panel, leave the oven door open to avoid accidentally turning on the appliance.

Steam and Condensation:

- If steam accumulates inside or around the outside of the door during operation, especially in high-humidity conditions, wipe it off with a soft cloth. This is a normal occurrence.

Glass Turntable Cleaning:

- Occasionally, remove the glass tray for cleaning. It can be hand-washed in warm, soapy water or placed in a dishwasher.

Roller Ring and Oven Floor:

- Clean the roller ring and oven floor regularly to reduce noise. Use mild detergent on the floor and wash the ring in soapy water or a dishwasher, ensuring it's properly repositioned after cleaning.

Removing Odours:

- To eliminate odours, microwave a bowl containing a cup of water with the juice and peel of one lemon for 5 minutes. Afterwards, remove the bowl and thoroughly wipe the interior with a soft cloth.

DISPOSING OF THE APPLIANCE

Disposal and Recycling Information

1. Disposal of Items with the Symbol

- Items marked with this symbol should not be disposed of with general household waste.
- Please ensure these items are disposed of separately.

2. Recycling Information

For information on recycling electrical items in the UK, visit:

- www.recycle-more.co.uk
- www.recyclenow.co.uk

For recycling information in Ireland, visit:

- www.weeeireland.ie

3. WEEE Directive

- The WEEE Directive, effective since August 2006, requires the recycling of all electrical items.
- At the end of the appliance's life, please take it to a local Civic Amenity site for proper recycling.



Correct Disposal of this Product

This marking signifies that this product should not be discarded with general household waste across the EU. To prevent potential harm to the environment or human health from improper disposal, please recycle it responsibly to support the sustainable reuse of materials.

Hamilton Beach UK - We're Here to Help!

Thank you for choosing Hamilton Beach products. Our goal is to ensure your complete satisfaction. Should you require assistance, have questions, or need support with your product, please do not hesitate to reach out to our dedicated customer service team.

Contact Information:

- **Customer Service Phone Line:** 01274 752624.
- **Hours of operation:** Monday to Friday, 8.30 AM to 4.30 PM GMT.
- **Please note:** We are closed weekends & all national UK bank holidays.

Email Support:

General Inquiries: customerservice@hamiltonbeach.co.uk

Product Issues: customerservice@hamiltonbeach.co.uk

Mailing Address:

Hamilton Beach UK
Customer Service Department
Belfry House, Roydsdale Way
Bradford, BD4 6SU
United Kingdom

Website:

For additional resources, including product registration, FAQs, and troubleshooting tips, please visit our official website: www.hamiltonbeach.co.uk

How to Get Assistance:

Phone: Contact our customer service team during business hours. To expedite your service, please have your product model number (found on the rating label) and purchase details ready.

Email: Send us an email with your query or issue. Include your product model number, a brief description of the problem, and your contact details.

Happy with your new product?

We would love to hear about your experience.

Scan the QR code to share your feedback.

Or visit: www.uk.trustpilot.com/review/hamiltonbeach.co.uk



GUARANTEE & SERVICE

Register your purchase

Thank you for choosing Hamilton Beach. Your appliance is covered by a 2-year warranty. Please register your product after purchase to fully benefit from this warranty.



Scan QR code using mobile device

Or visit: www.hamiltonbeach.co.uk/pages/register-my-warranty

How do I register my purchase?

To make a warranty claim, do not return this appliance to the store. Please call **01274 752624** or email customerservice@hamiltonbeach.co.uk. For faster service, locate the model number on the rating label on your appliance. Alternatively, **please scan the QR code above** to be directed to our warranty registration page.

This product is covered by a 2 year warranty, please read the guarantee and service carefully and keep for future use.

Please Note: To maintain the validity of the warranty, it is imperative to register it within the initial 30 days of purchase. Any registration made beyond this time frame will result in the warranty being deemed void.

This warranty is valid for products purchased and used in the UK and serves as the sole express warranty for the product, replacing any other warranty or condition. The product is guaranteed to be free from defects in material and workmanship for a specified period from the original purchase date. The warranty covers repair or replacement of defective components, with the responsibility for return shipping costs falling on the customer. If the original product or component is unavailable, a replacement of equal or greater value will be provided.

Exclusions to this warranty include glass, filters, normal wear, improper use, accidents, alterations, abuse, or misuse. The warranty is applicable only to the original consumer purchaser or gift recipient, requiring proof of purchase for warranty claims. It becomes void if the product is used for purposes other than single-family household use or operated outside specified voltage and waveform requirements. The warranty disclaims all claims for special, incidental, and consequential damages, limiting liability to the purchase price. Every implied warranty, except where prohibited by law, is disclaimed, and any statutory warranty or condition is limited to the duration of this written warranty.

The user manual can also be downloaded from our website:

www.hamiltonbeach.co.uk

cook with **confidence**

Hamilton Beach®

Trusted quality for over 100 years.

Discover the innovative and dependable products that have made
Hamilton Beach a trusted name since 1910.

Join the Hamilton Beach family!

Visit www.hamiltonbeach.co.uk to sign up to our newsletter for
exclusive offers, competitions & news

@hamiltonbeachuk

www.hamiltonbeach.co.uk



Hamilton Beach
Belfry House, Roydsdale Way
Bradford, BD4 6SU
01274 752624
www.hamiltonbeach.co.uk

Illustrations may differ from actual product. We are consistently striving to improve our products,
therefore all specifications contained herein are subject to change without notice.

©2024 Hamilton Beach® Brands, Inc. Trademarks by Hamilton Beach® Brands, Inc. All rights reserved.
Hamilton Beach® is a registered trademark of Hamilton Beach Brands, Inc. used under license by EPE
International Limited.

The user manual can also be downloaded from our website.

