

INSTRUCTION MANUAL

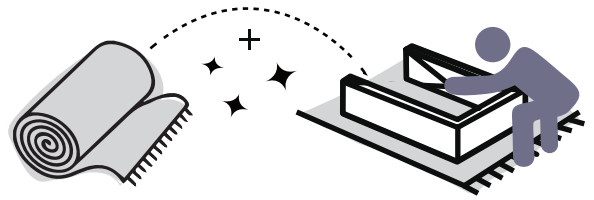
TOOLS REQUIRED



**SLOTTED
SCREWDRIVER**



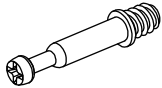
**PHILLIPS
SCREWDRIVER**



HARDWARE

A

Cam bolt



36PCS

B

Cam lock

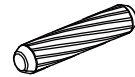


M15x12mm

36PCS

C

Wooden dowel



M6x30mm

46PCS

D

Wooden dowel



M6x30mm

4PCS

E

Screw

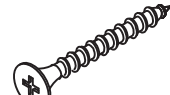


M4x30mm

20PCS

F

Screw



M4x35mm

30PCS

G

Screw

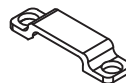


M3x12mm

76PCS

H

Buckle



22PCS

I

Power strip



1PC

CL

Drawer slide



4PCS

CR

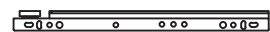
Drawer slide



4PCS

DL

Drawer slide



4PCS

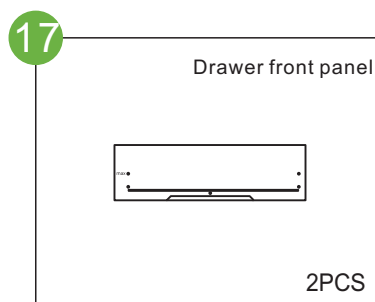
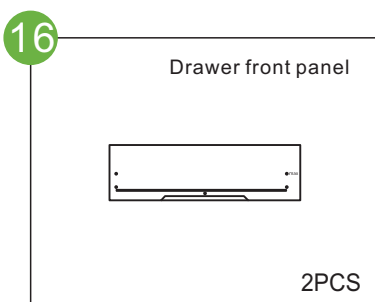
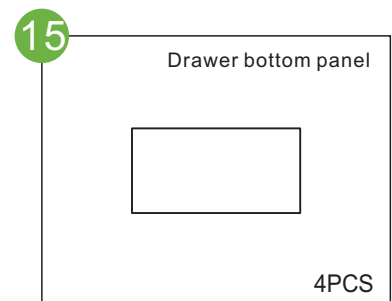
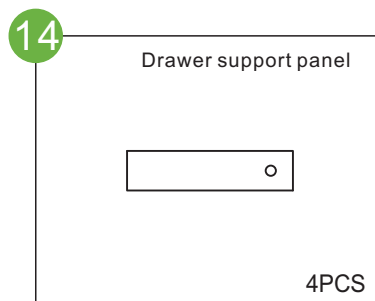
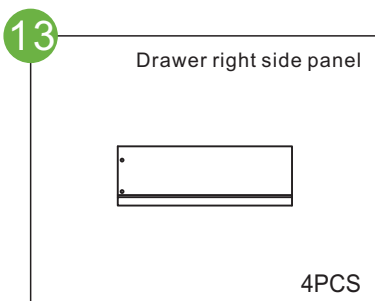
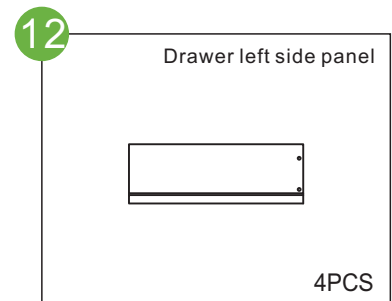
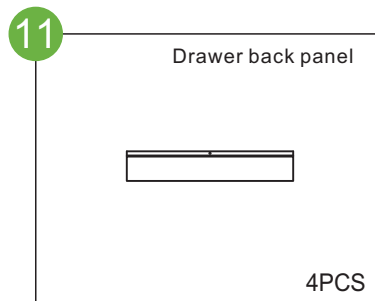
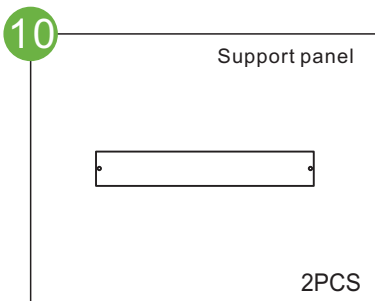
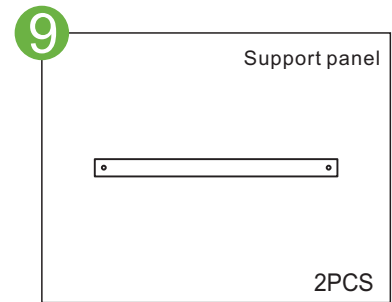
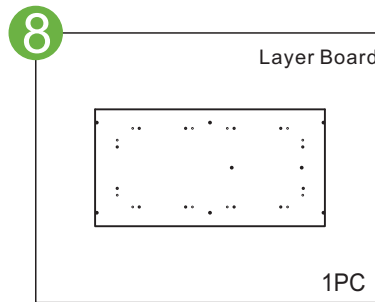
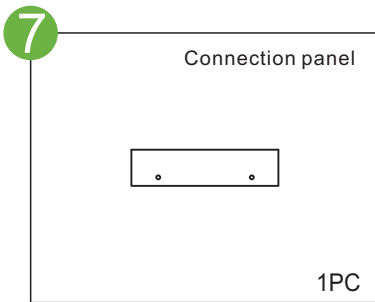
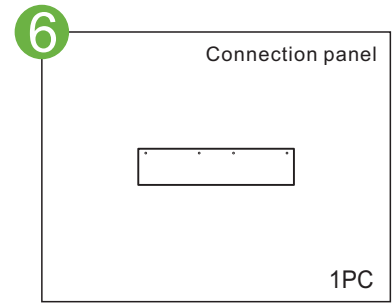
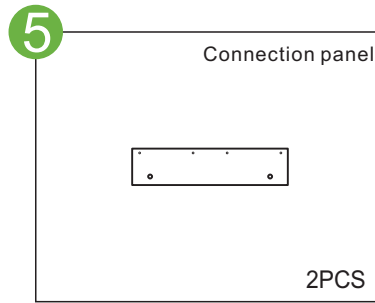
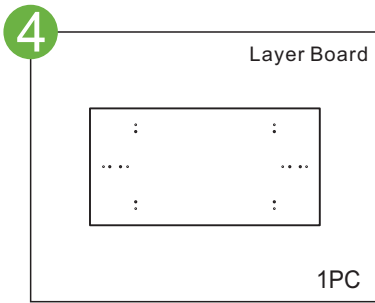
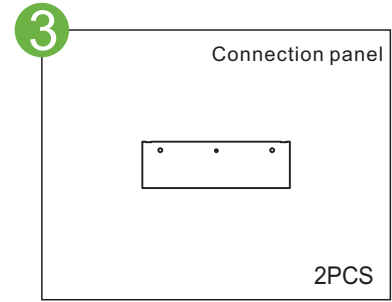
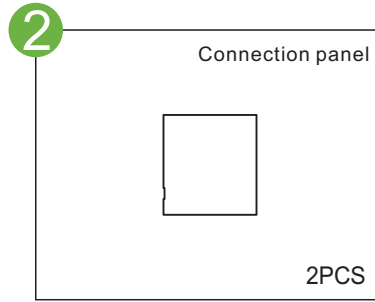
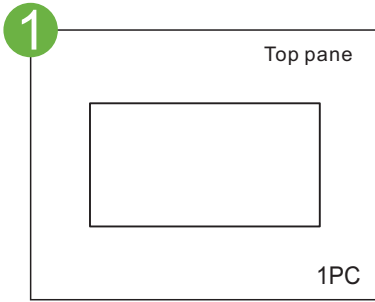
DR

Drawer slide



4PCS

PARTS

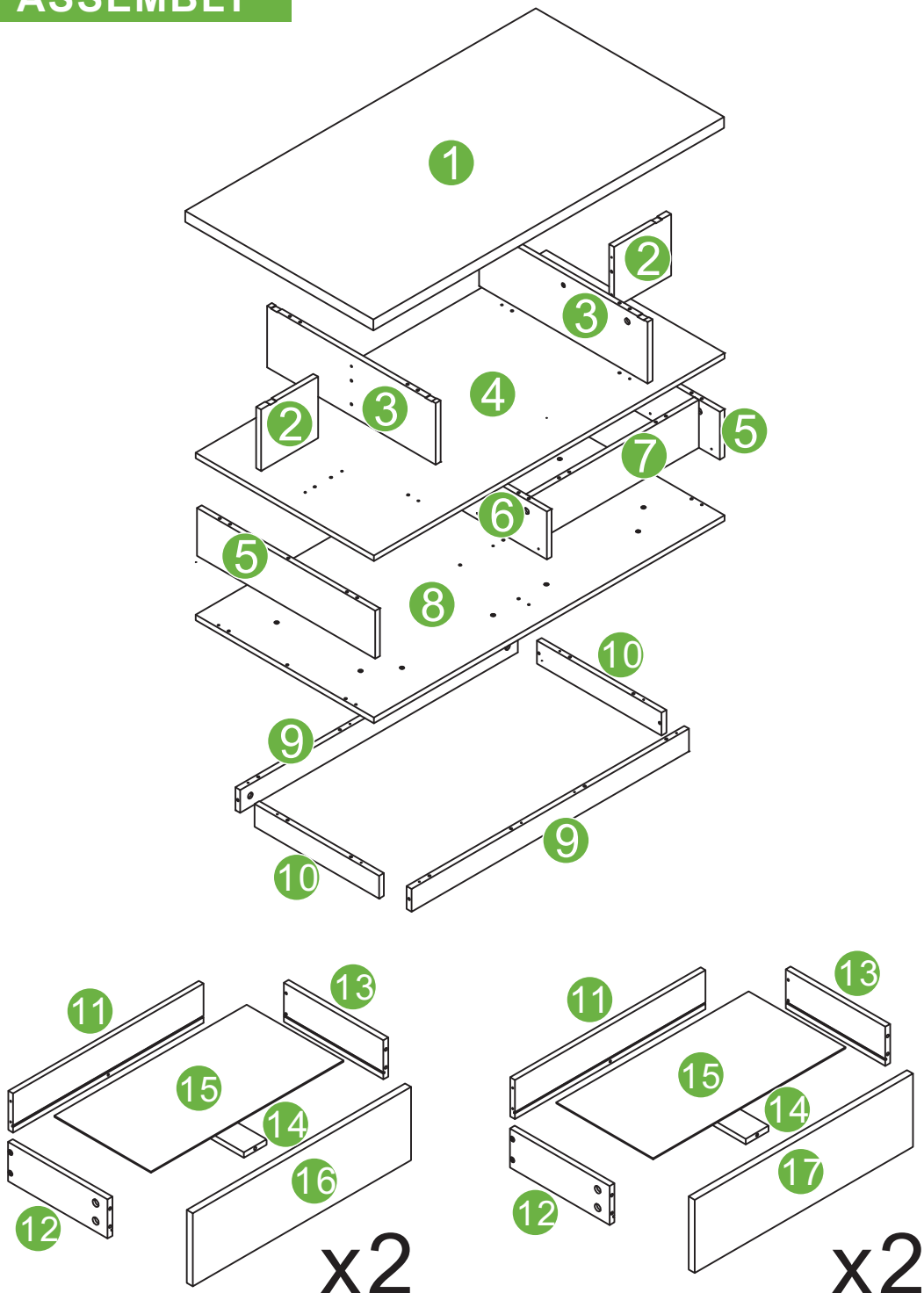


! NOTICE

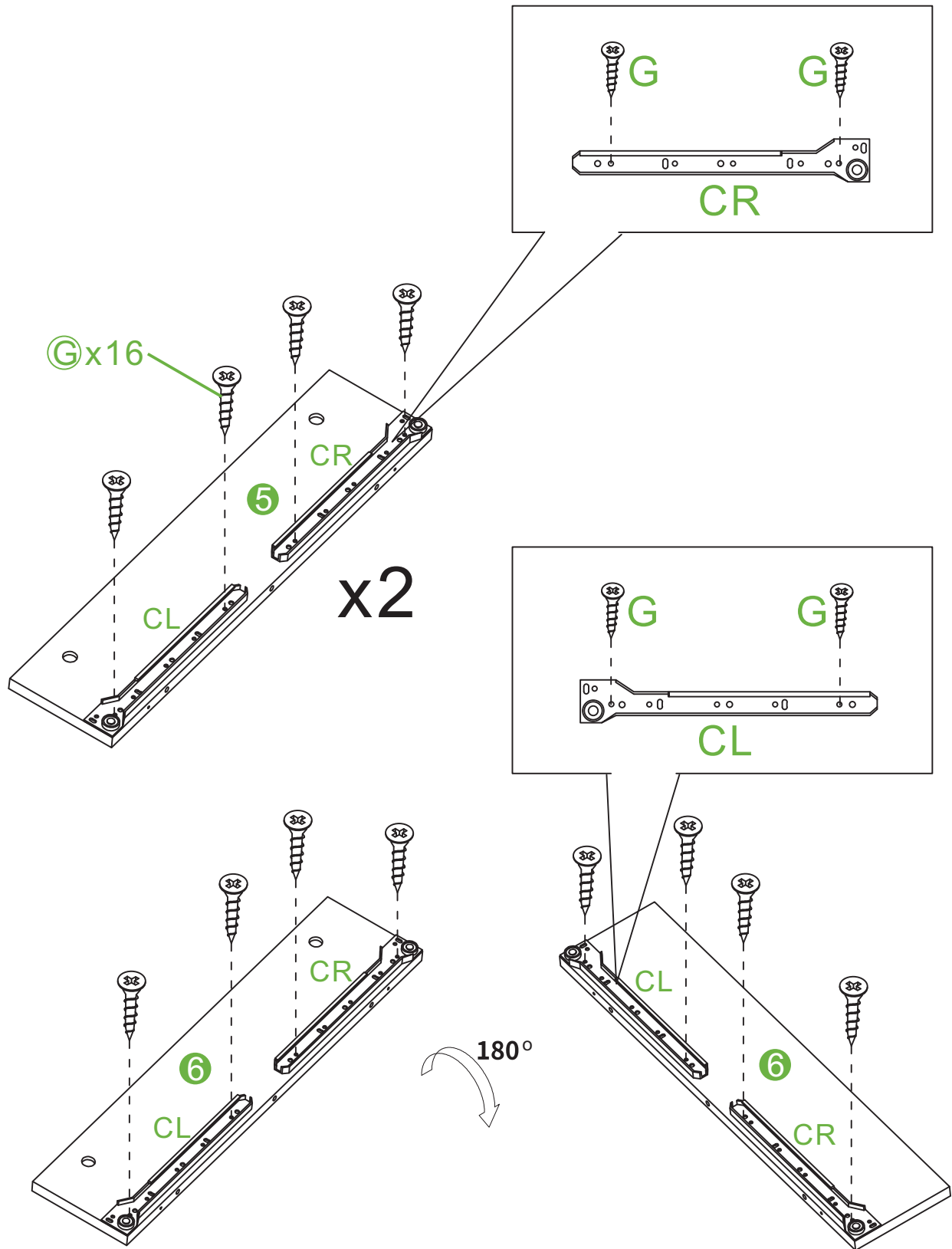
Please retain these instructions for future reference.

- Make sure that all screws are tightened. Check these regularly. Do not overtighten the screws!
- Do not use or store this item in the proximity of open flame or flammable/combustible chemicals.
- If any parts are missing, broken, damaged, or worn, stop using this item until repairs are made and/or factory replacement parts are installed.
- When cleaning do not use any abrasive or caustic agents or hard brushes etc.
- Clean the surfaces with a damp, lint-free cloth and wipe with a dry cloth.
- Carefully remove all packing material and discard it sorted. Make sure that you do not accidentally throw away mounting material.
- Any question or problem, please contact us freely!




PRODUCT ASSEMBLY



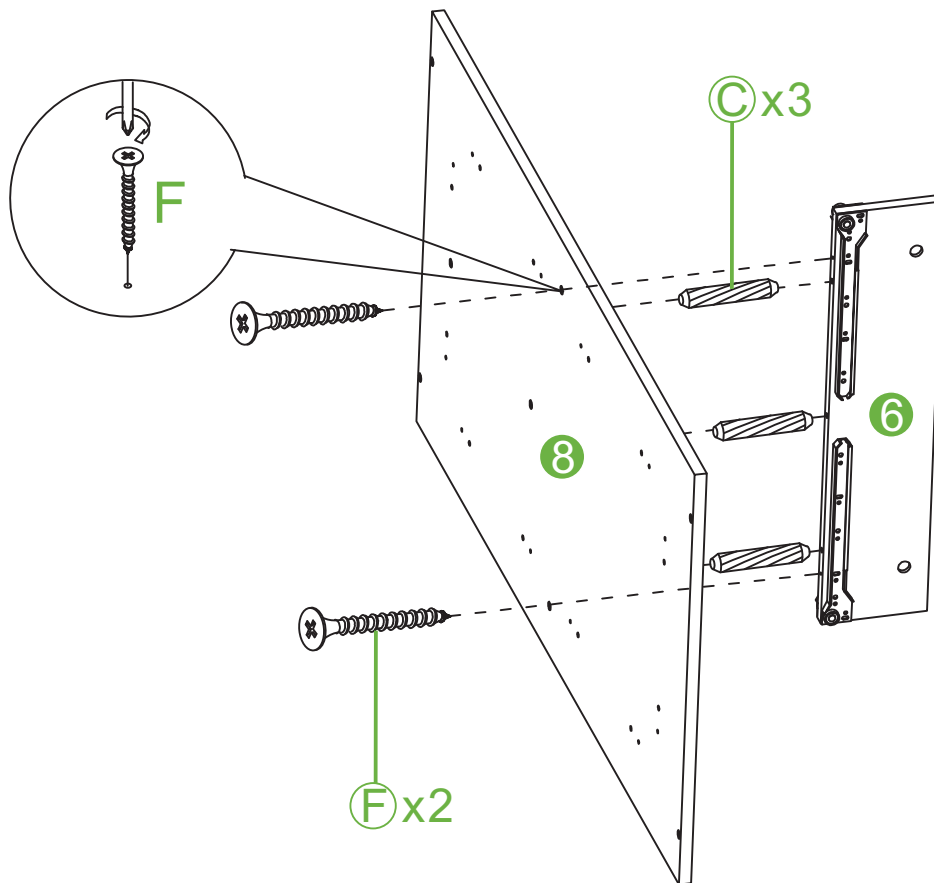
1



As shown in the figure
 Install the drawer slides CLCR onto panels # 5 # 6 and secure them with screws G.
 Then flip panel # 6 180 degrees and install the drawer slide rail CLCR on the other side,
 and fix it with screw G

	Gx16
	CLx4
	CRx4

2

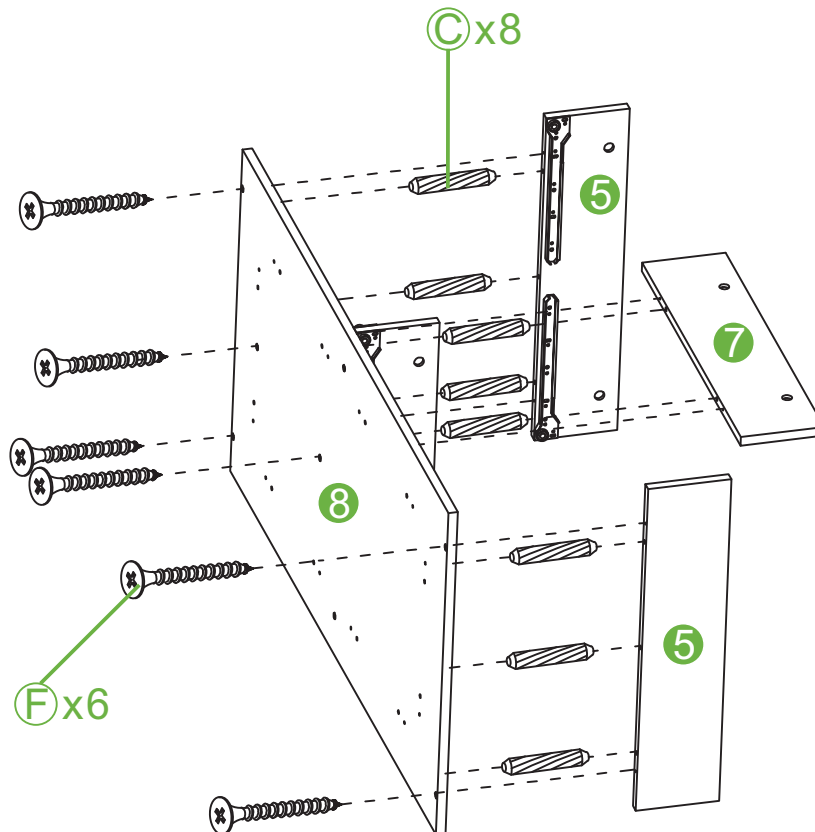


Insert three Wooden dowels C into the # 8 layer board and connect the # 6 panel, then fix them with two screws F

Cx3

Fx2

3

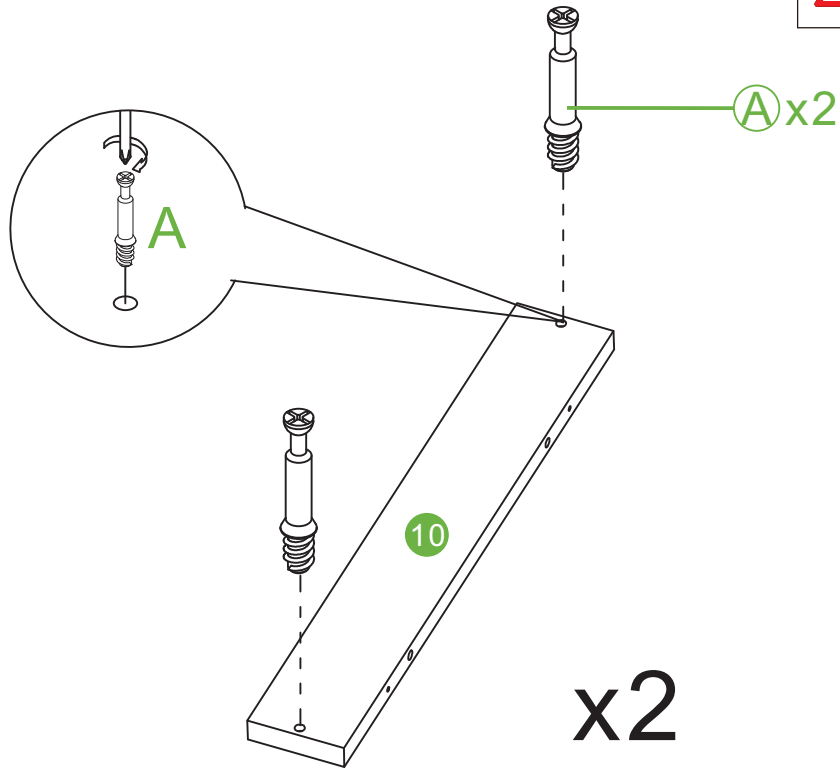
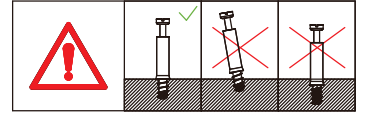


Insert eight wooden tenons C into the # 8 layer board and connect it to the # 5#7 panel, then fix it with six screws F

Cx8

Fx6

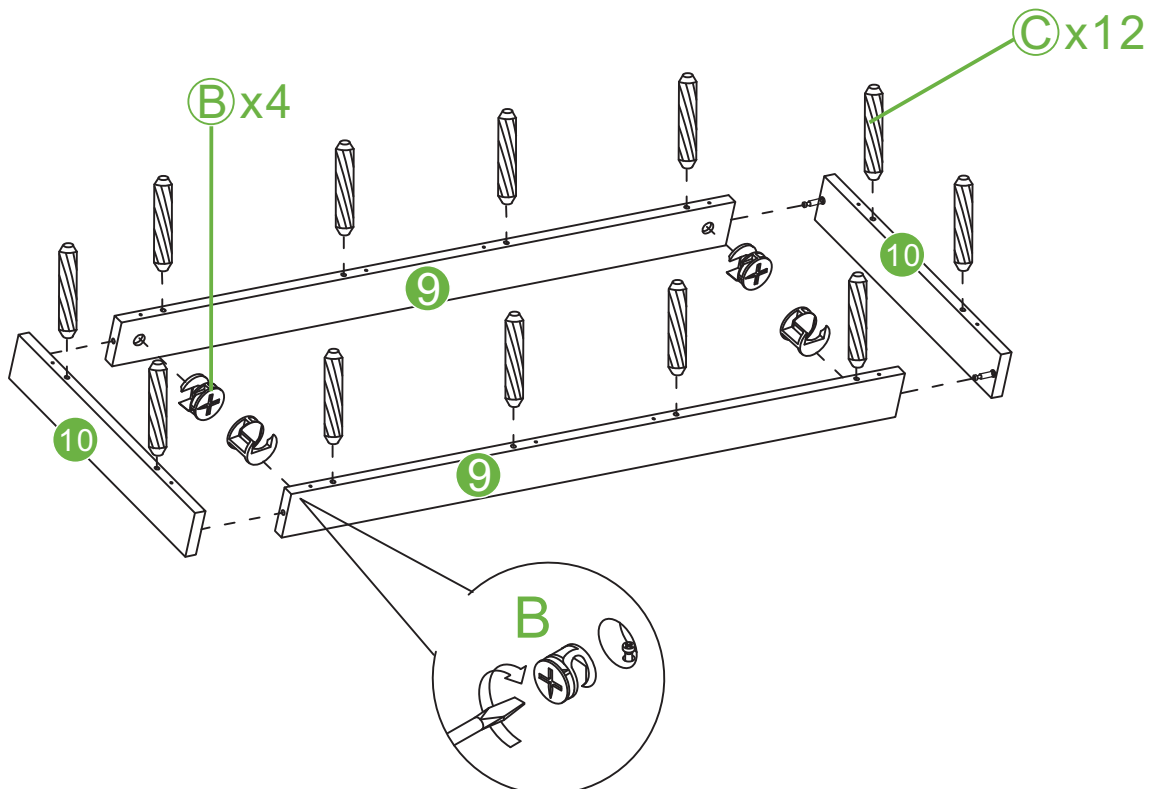
4



Insert cam bolt A into # 10 support plate

 Ax4

5

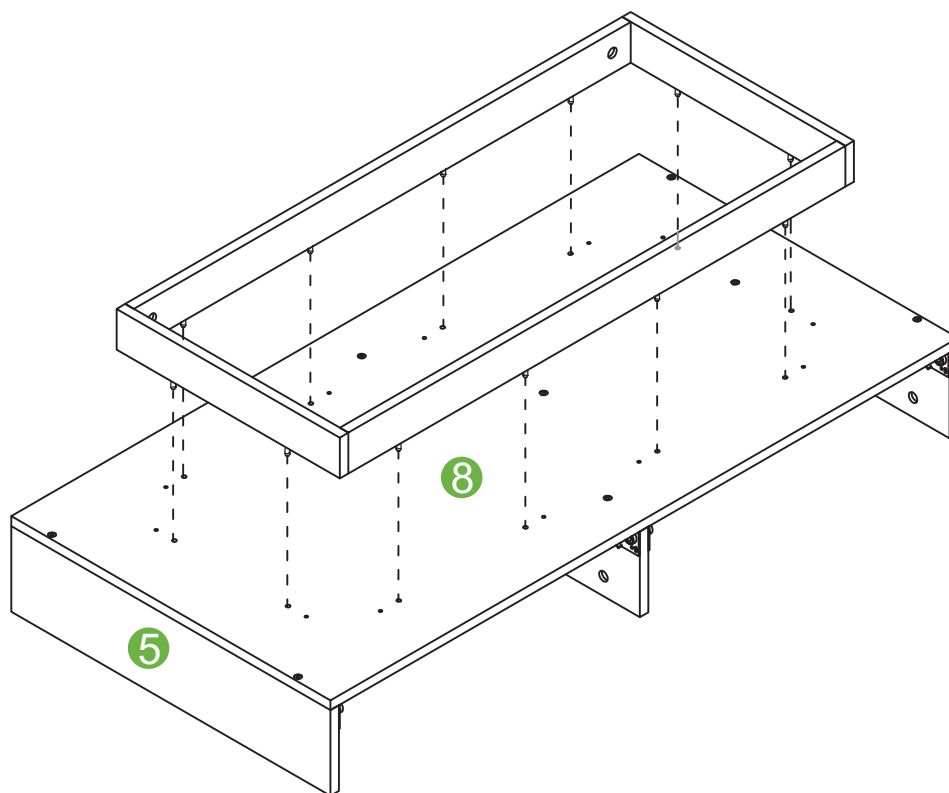
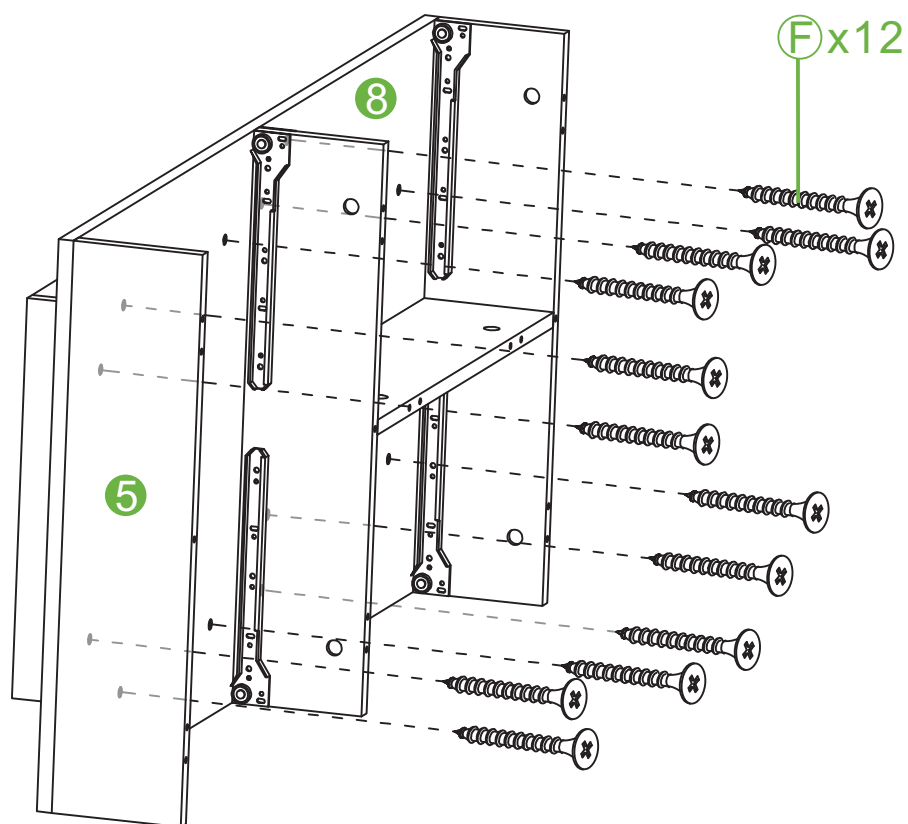


As shown in the figure
Connect panel # 10 to panel # 9 and insert twelve wooden tenons C,
then install cam lock B for fixation

 Bx4

 Cx12

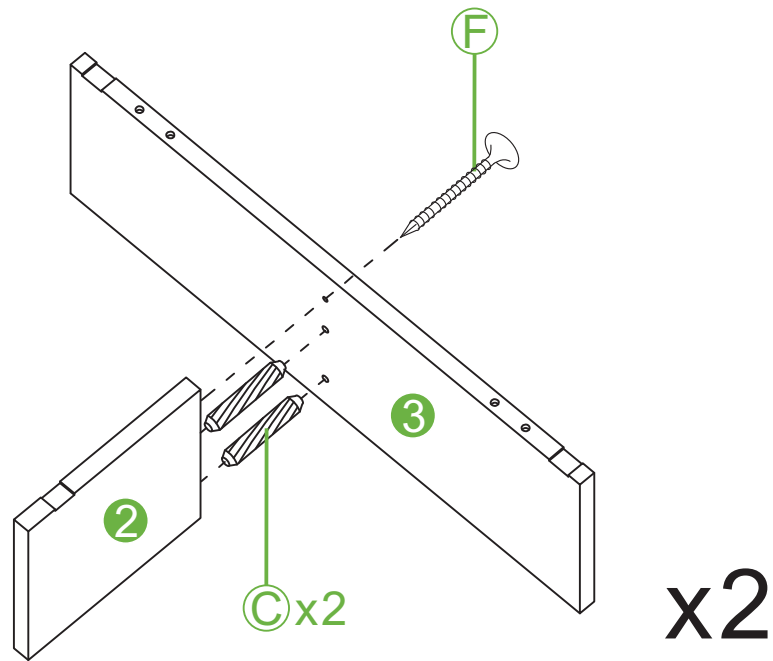
6

90°


As shown in the figure
Connect the assembled third step to the assembled fifth step,
then flip it 90 degrees and secure it with twelve screws F

 Fx12

7

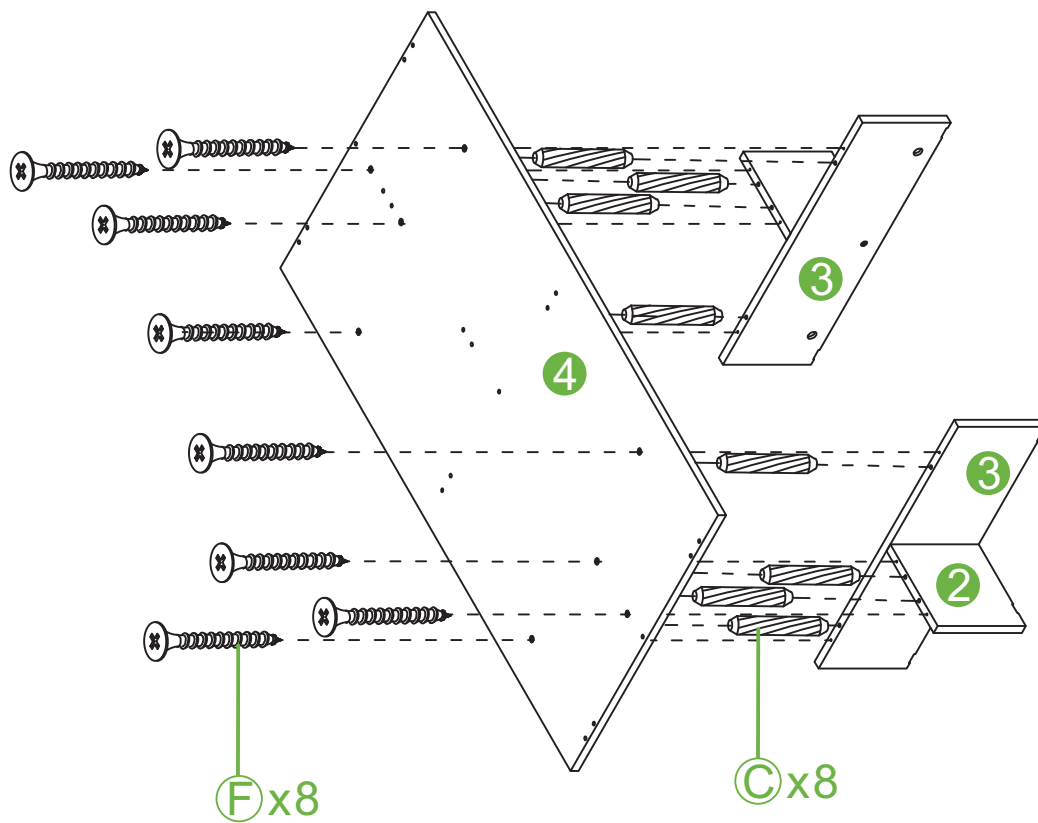


Insert two wooden dowels C into panel # 2 and connect panel # 3,
Then fix it with screw F

 Cx4

 Fx2

8

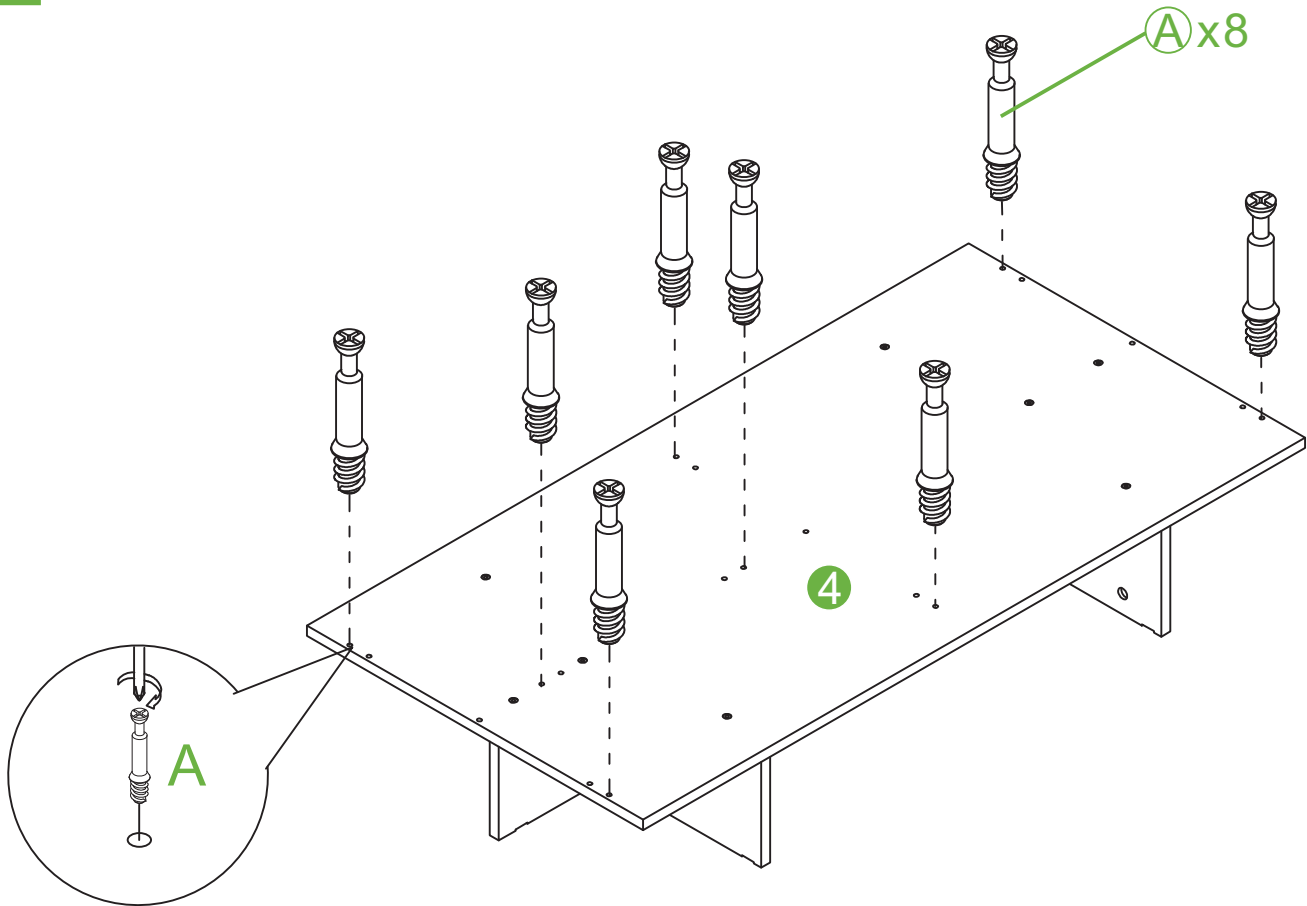


 Cx8

 Fx8

Insert eight wooden dowels C into the # 4 layer board and connect it to the # 3 panel,
then fix it with eight screws F

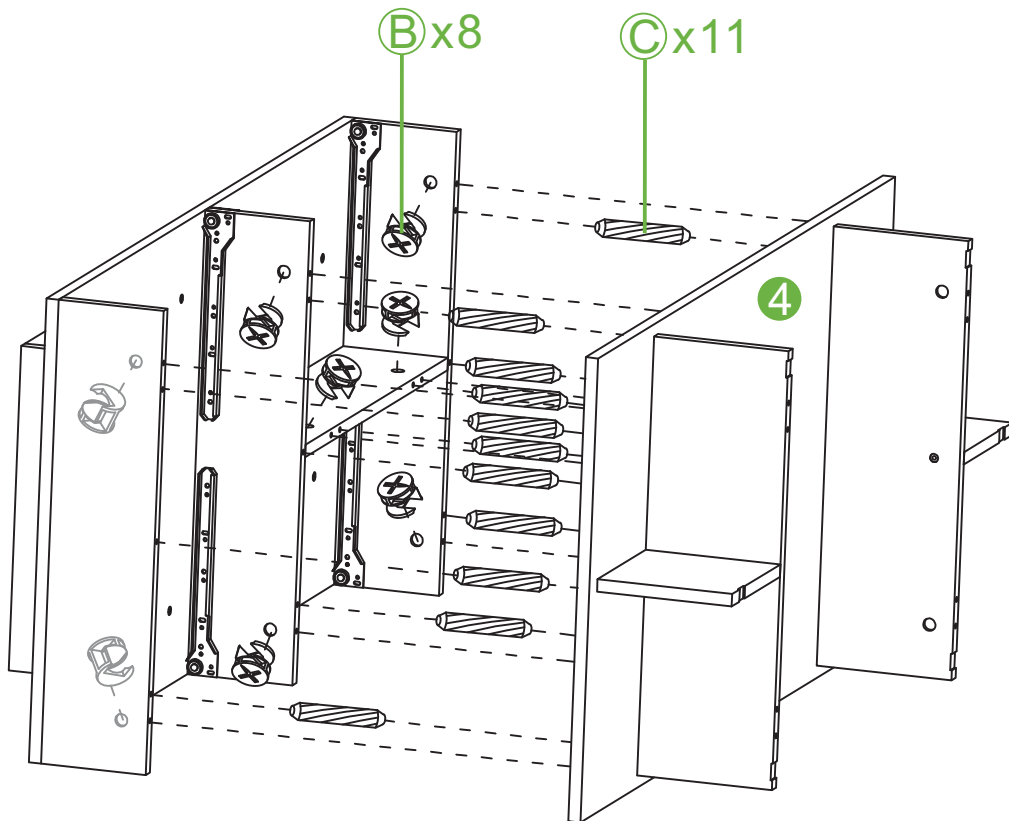
9



Install eight cam bolts A onto the # 4 layer board

 Ax8

10



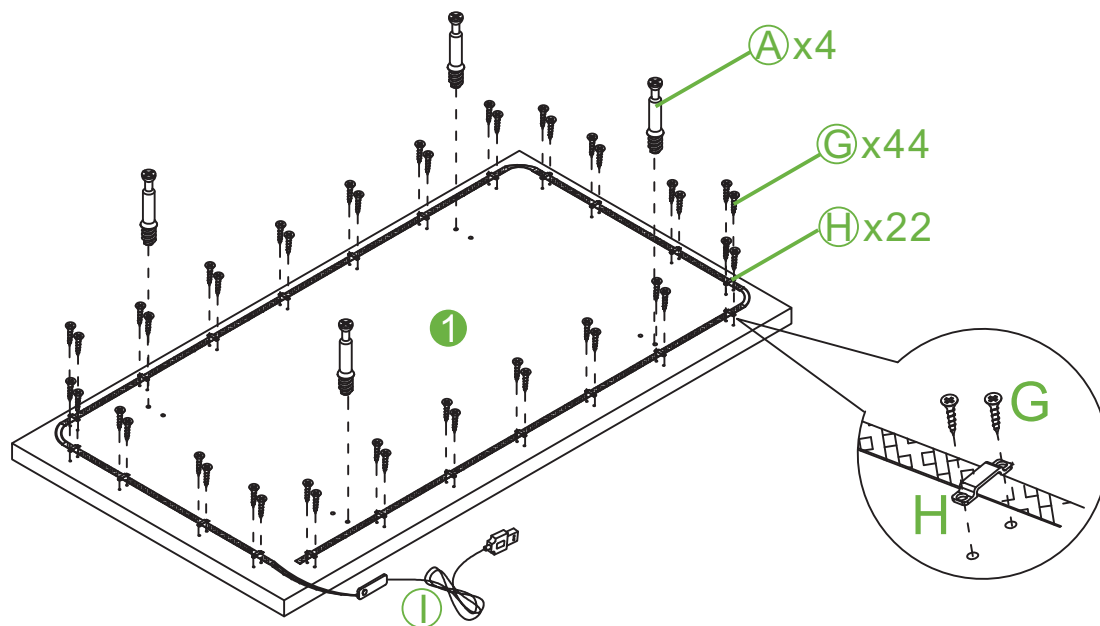
Insert twelve wooden dowels C into the frame assembled in step six, connect the # 4 layer board, and fix it with four cam locks B

 Bx4

 Cx12

11

Insert four cam bolts A into the corresponding positions of the # 1 top plate

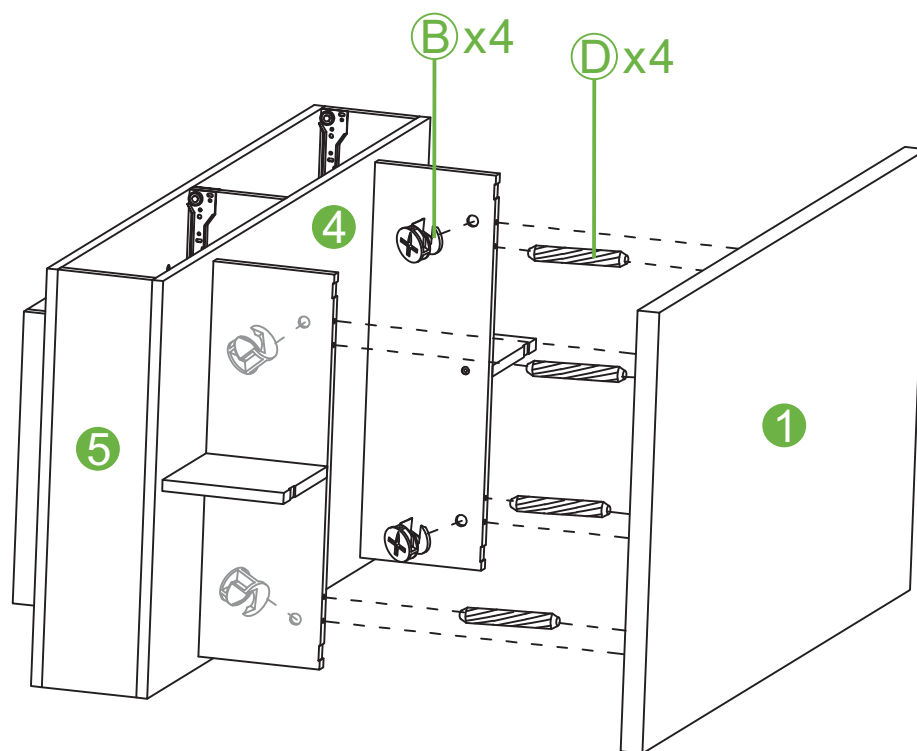


As shown in the figure

Wrap the light strip L around the top plate # 1 and install the fixing buckle H, then fix it with screw G

	Ax4
	Gx44
	Hx22
	Lx1

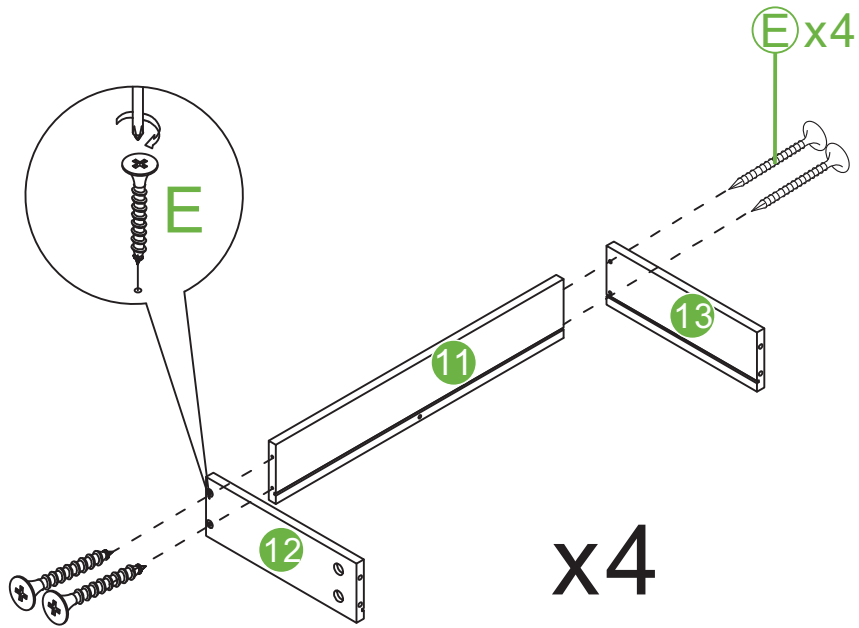
12



Insert four wooden dowels D into the top plate of # 1 and connect the frames of # 4 and # 5, then install four cam locks B for fixation

	Bx4
	Dx4

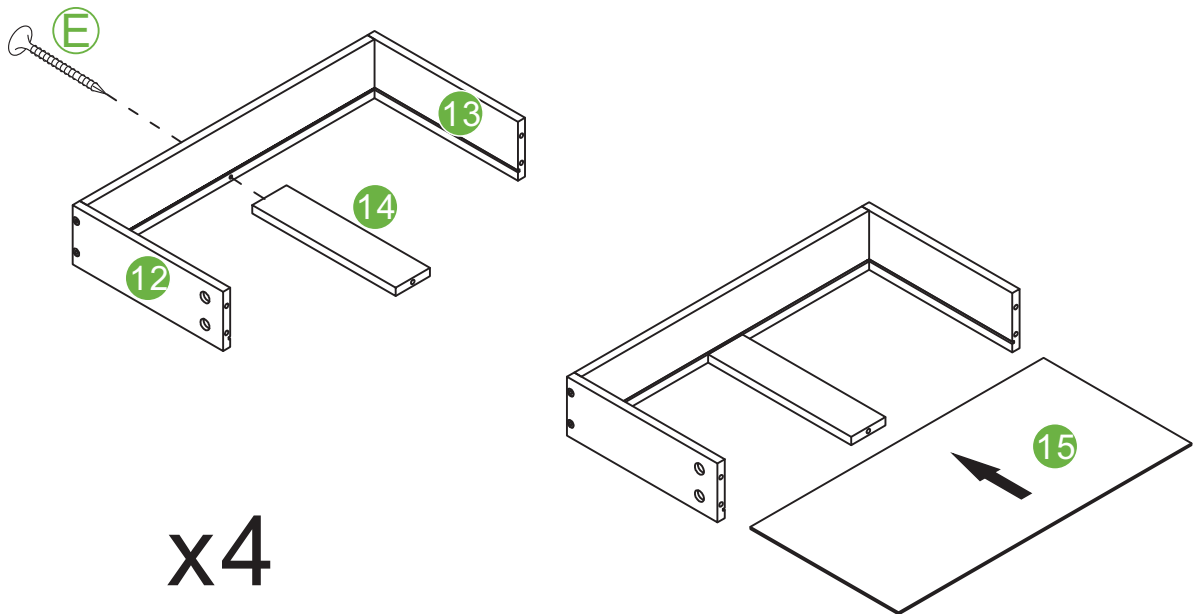
13



Connect panels # 12, # 13 to backplate # 11 and secure them with screw E

 Ex16

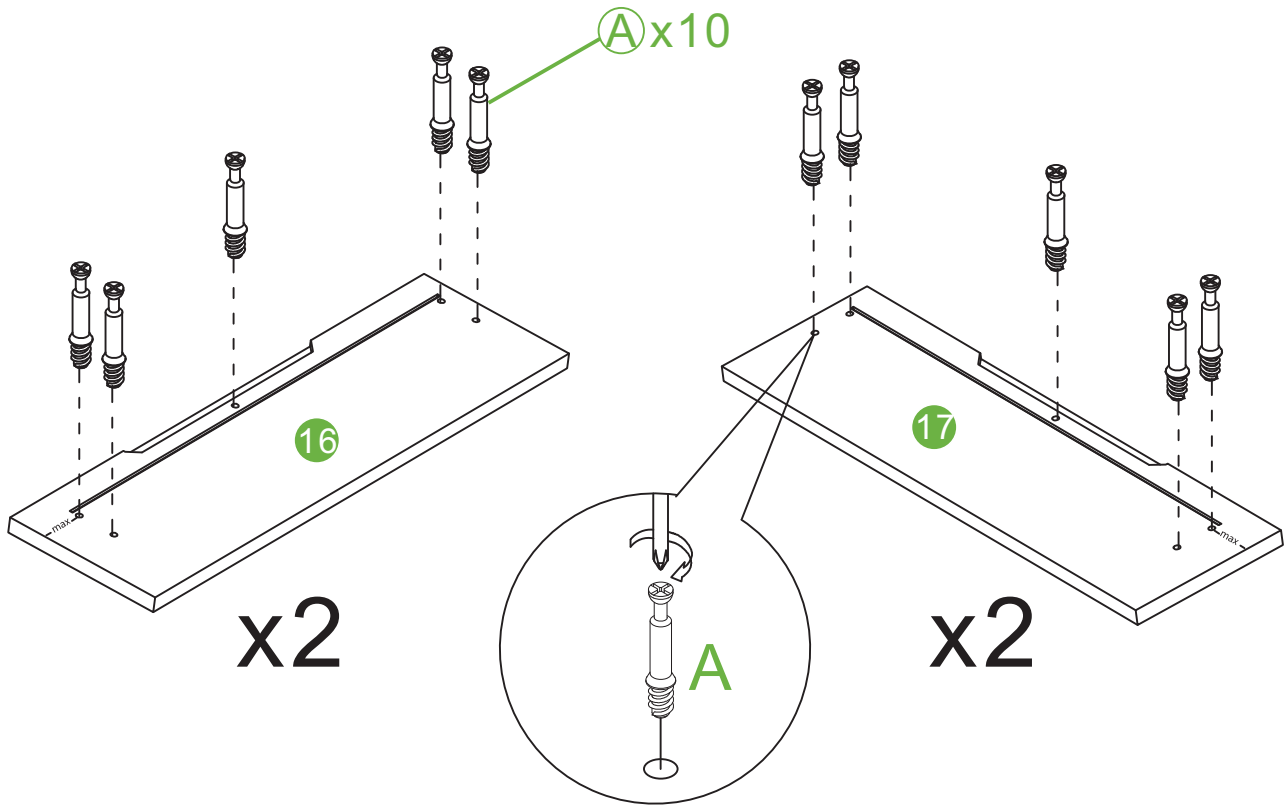
14



Connect the bottom fixing strip # 14 to the backboard # 11 and secure it with screw E.
Then insert the # 15 base plate into the frame

 Ex4

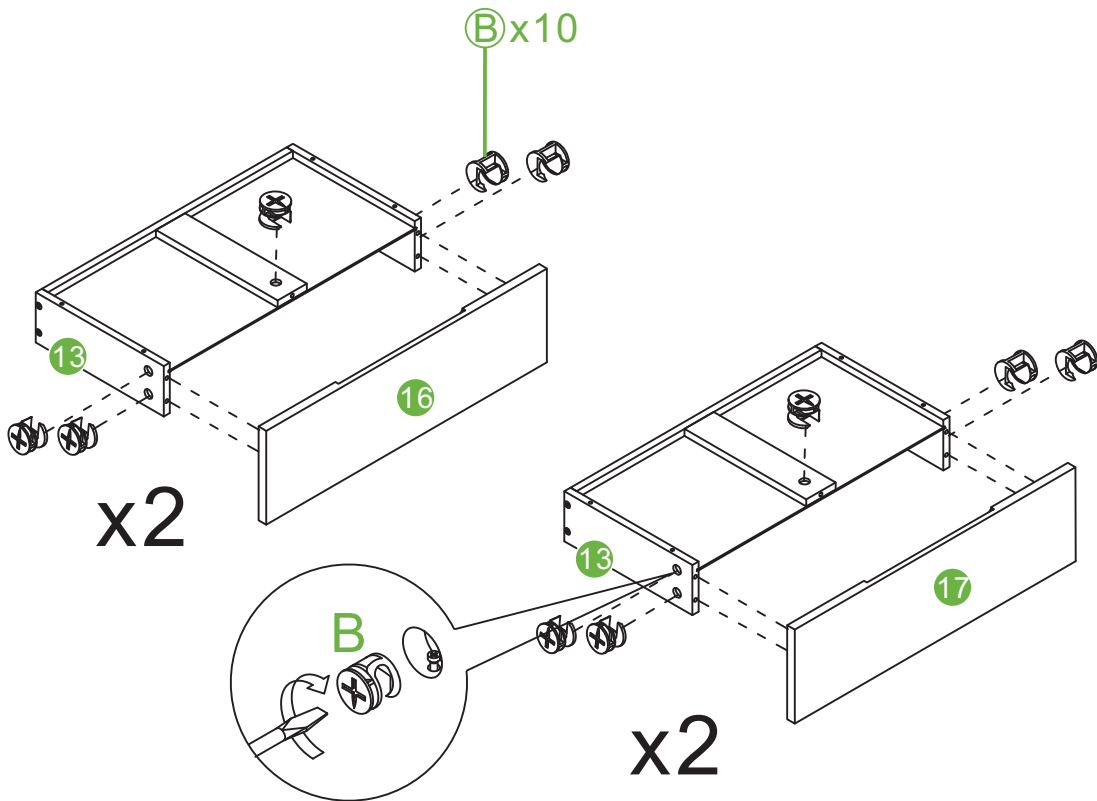
15



Install 20 cam bolts A onto # 16 # 17 door panels, with five cam bolts per panel

 Ax20

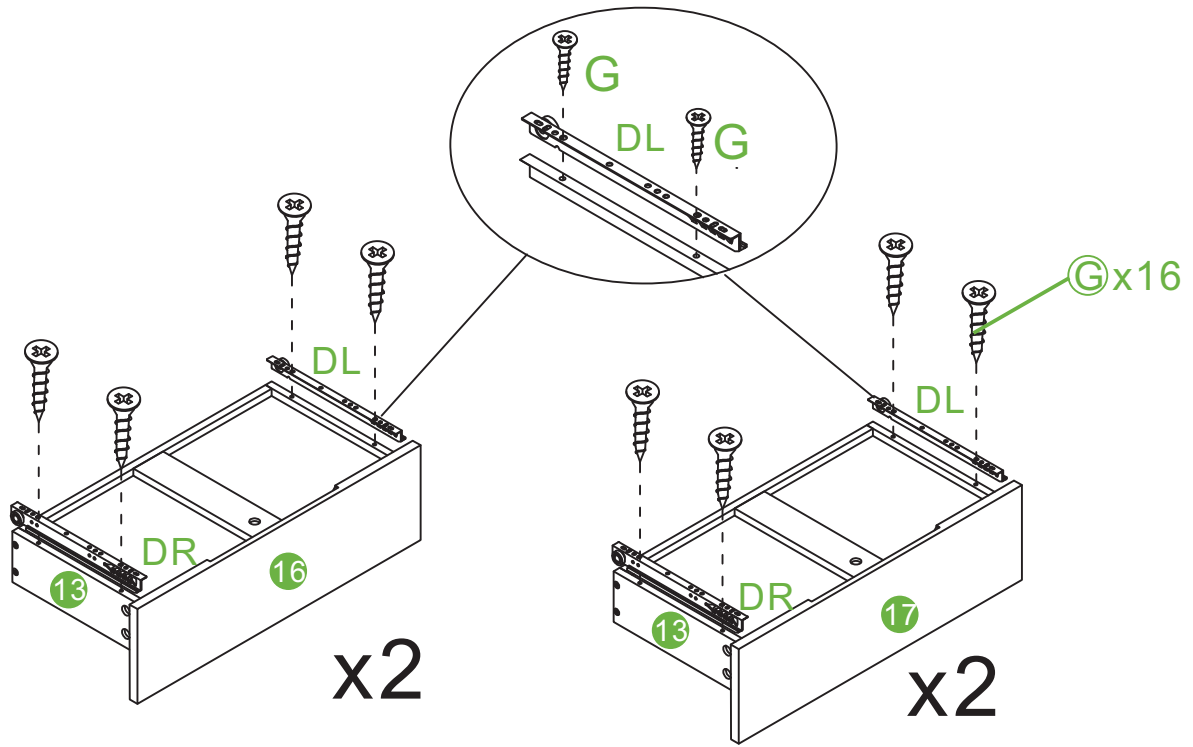
16






As shown in the figure, connect the # 16 # 17 door panels to the # 13 drawer frame and fix them with twenty cam locks B. Five cam locks per drawer

 Bx20

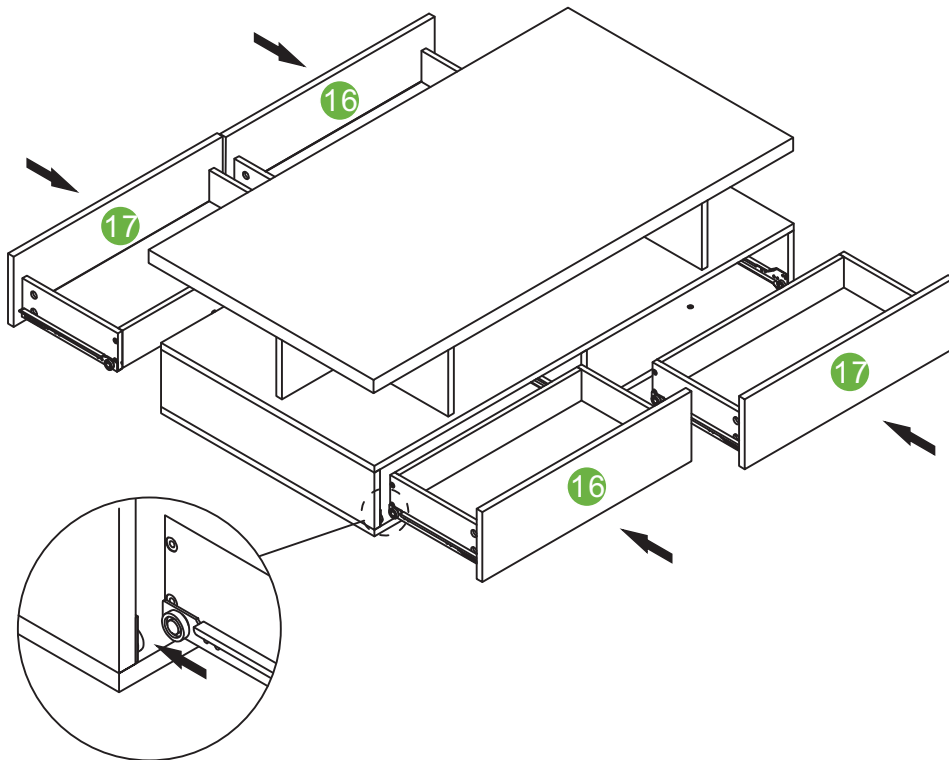
17



-  Gx16
-  DLx4
-  DRx4

As shown in the figure
 Install the DR slide rail onto panel # 13 and secure it with two screws G
 Install the DL slide rail onto panel # 12 and secure it with two screws G

18



Install the assembled drawer#16#17 onto the slide rail position as shown in the picture