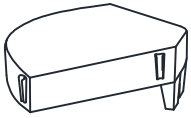


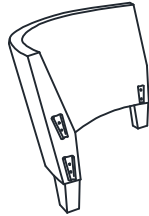
# ASSEMBLY INSTRUCTION

## CORNER

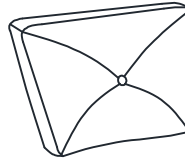
**A** Seat Frame      **B** Back Frame      **C** Back Cushion-LSF      **D** Back Cushion-RSF



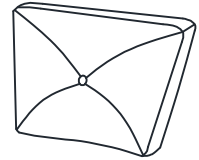
1pc



1pc

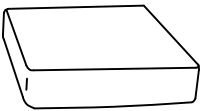


1pc



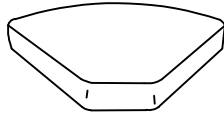
1pc

**E** Middle Seat Cushion

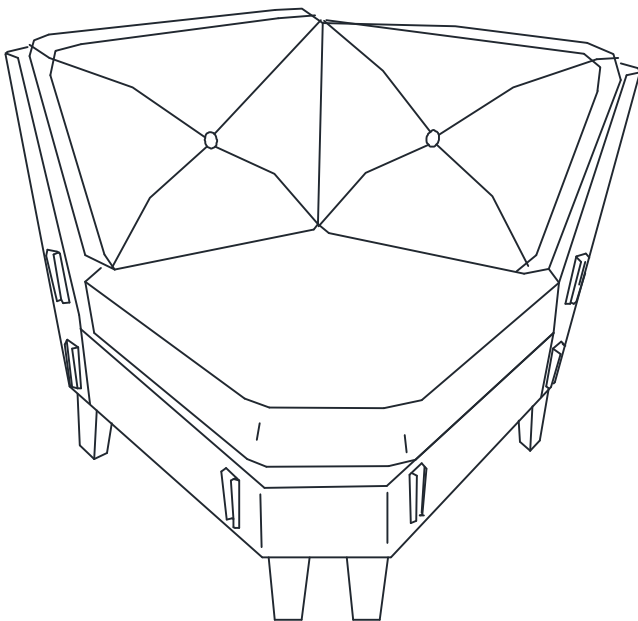


2pcs

**F** Seat Cushion



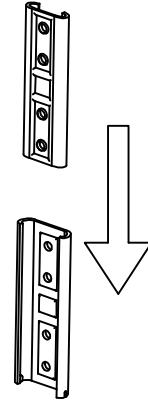
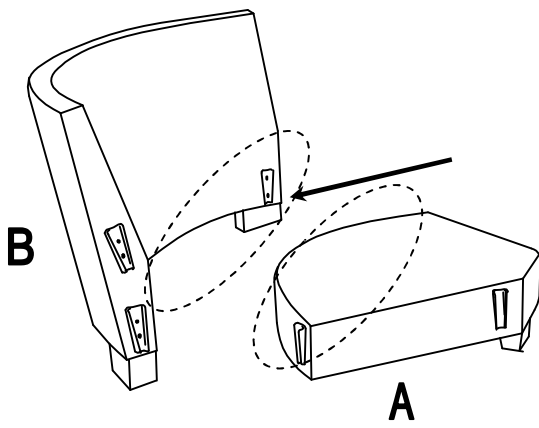
1pc



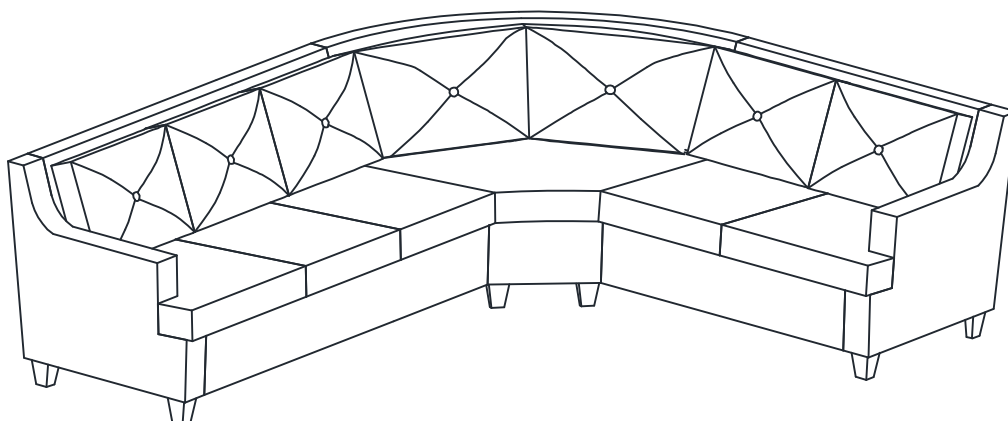
This page lists all the contents included in the box. As you unpack and prepare for assembly, place the contents on a carpeted or padded area to protect them from damage.

**1**

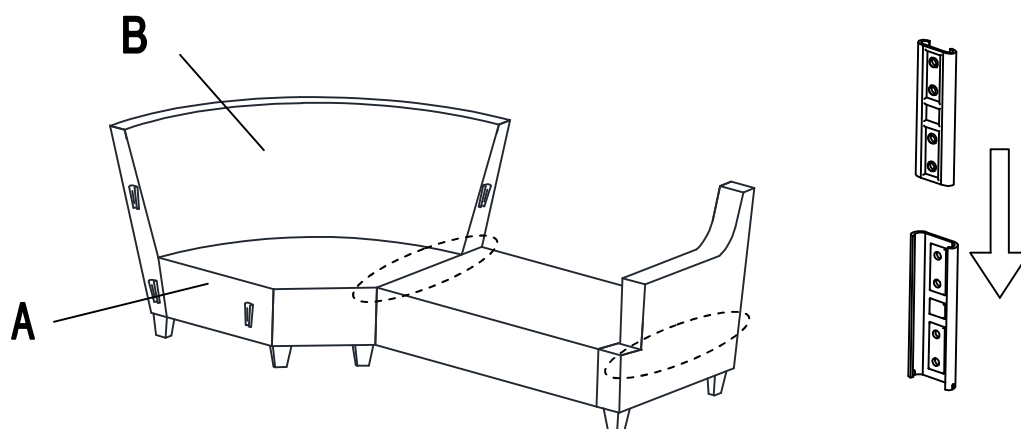
Hook on Seat Frame (A) to Back Frame (B) properly.



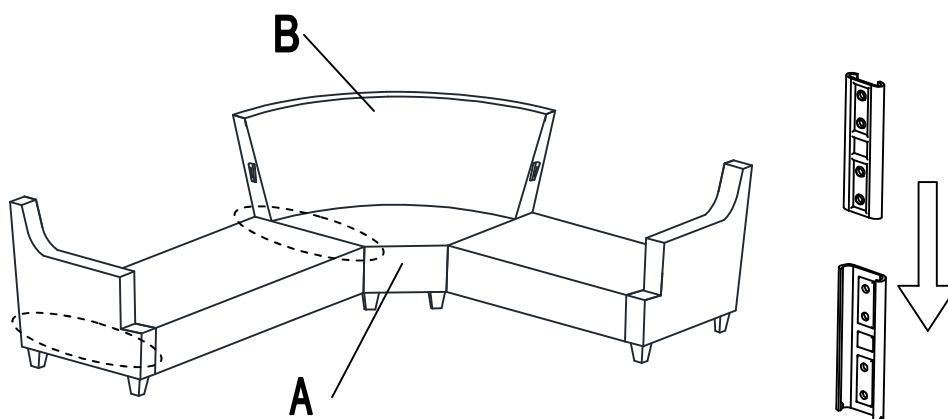
## L-Shape:



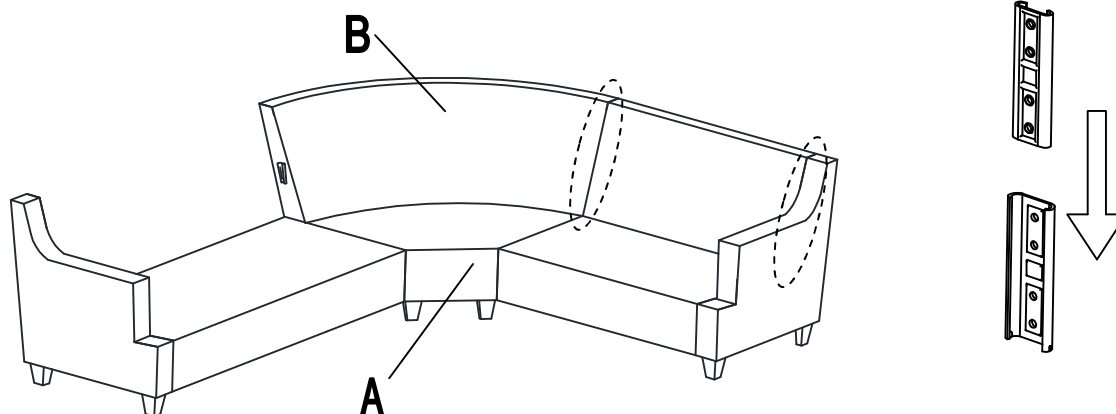
- 2** Hook on Right Seat Frame to Right Panel and Corner Seat Frame (A) & (B) properly.  
(Right Seat Frame is not in the Corner carton)



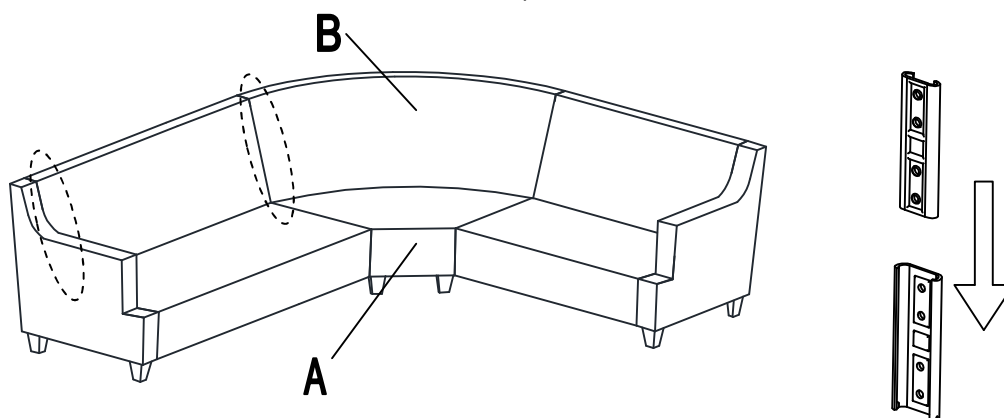
- 3** Hook on Left Seat Frame to Left Panel and Corner Seat Frame (A) & (B) properly.  
(Left Seat Frame is not in the Corner carton)



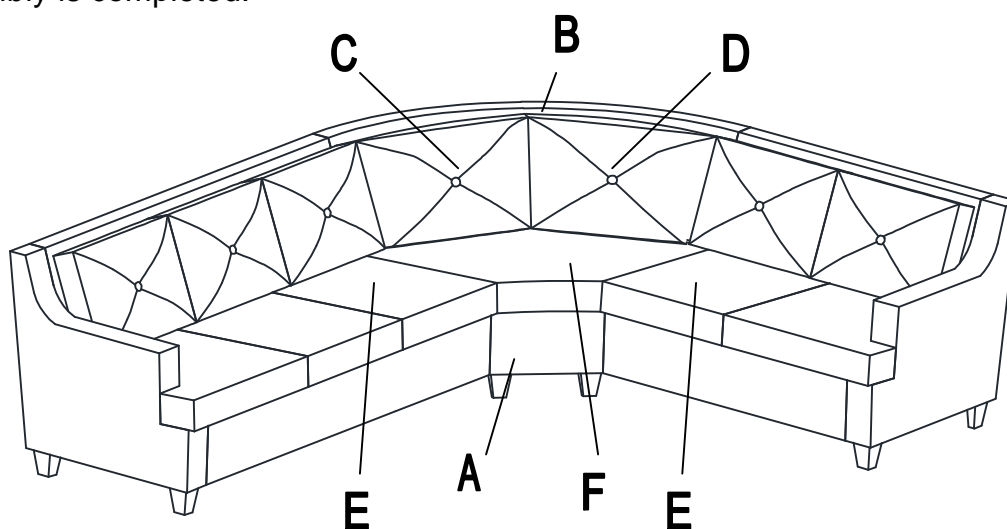
**4** Hook on Right Back Frame to Right Panel and Corner Seat (A) & (B) properly.  
(Right Back Frame is not in the Corner Seat carton)



**5** Then hook on Left Back Frame to Left Panel and Corner Seat (A) & (B) properly.  
(Left Back Frame is not in the Corner Seat carton)



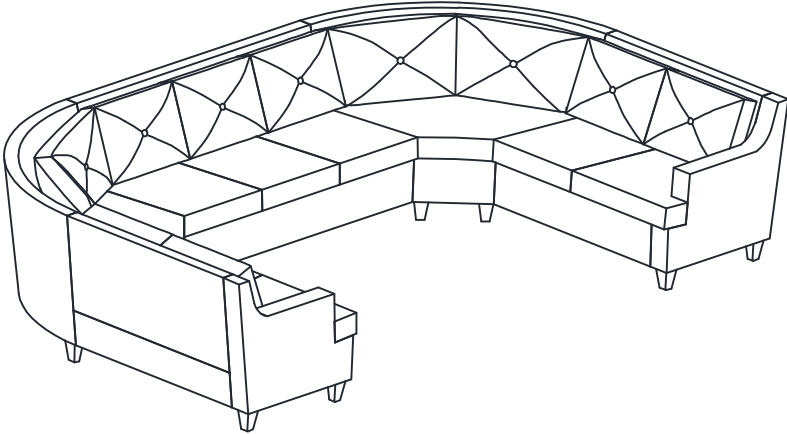
**6** Put the Corner Back Cushion-LSF (C) & Back Cushion-RSF (D), 2pcs Middle Seat Cushion (E), Seat Cushion (F) and the cushion of Love Seat or Sofa on Love Seat or Sofa Frame. The assembly is completed.



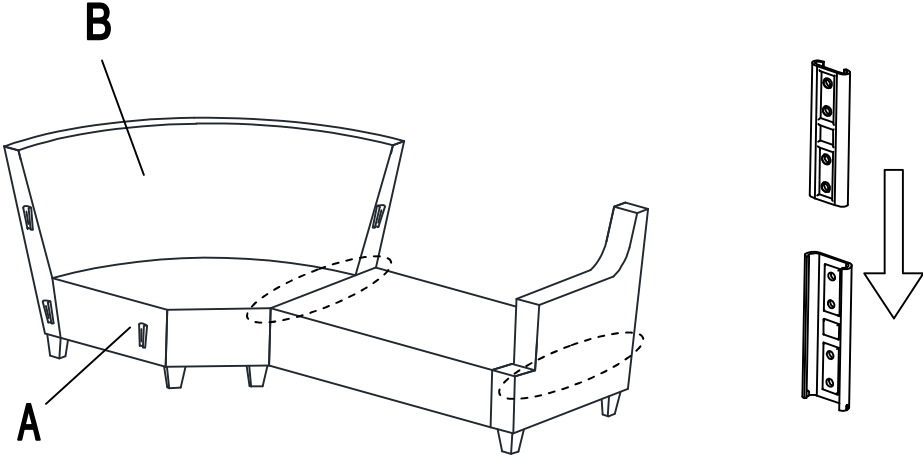
### Cleaning & Care

Treat surface with care. Surface is resistant to scratches but is not scratch resistant. Clean surfaces with a dry or damp soft cloth. Do not use abrasive cleaners.

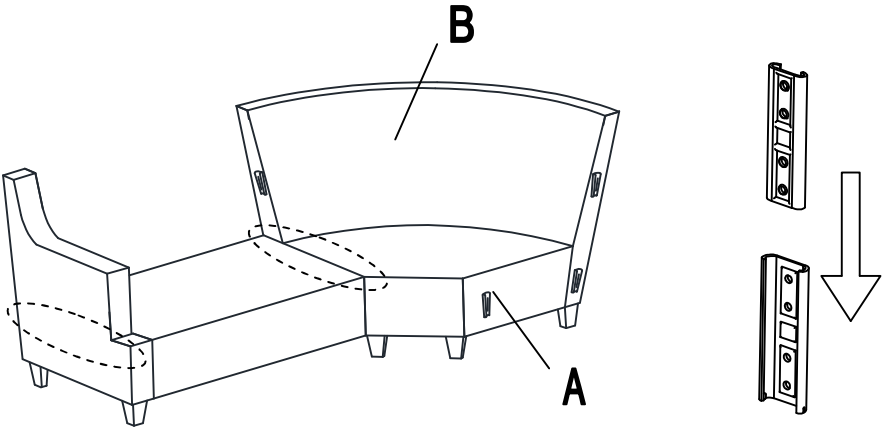
# U-Shape:



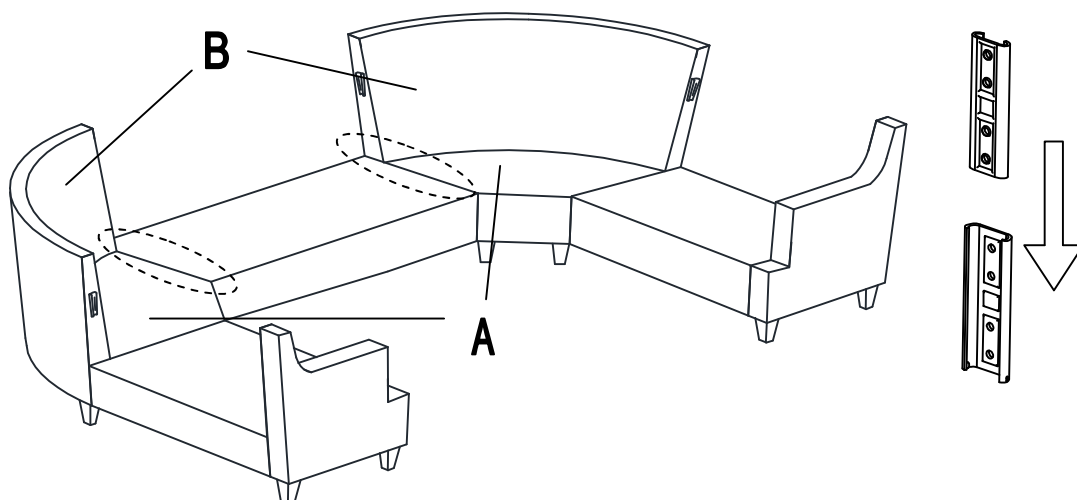
**2** Hook on Right Seat Frame to Right Panel and Corner Seat (A) & (B) properly.  
(Right Seat Frame is not in the Corner Seat carton)



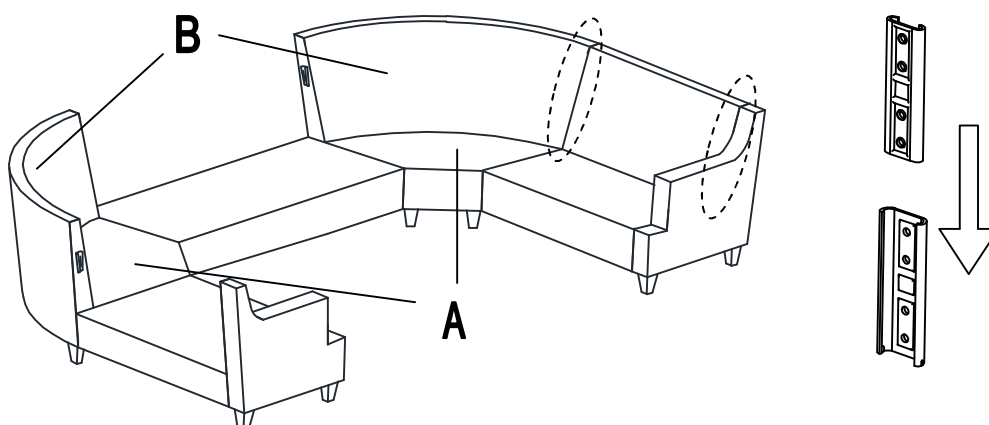
**3** Then hook on Left Seat Frame to Left Panel and Corner Seat (A) & (B) properly.  
(Left Seat Frame is not in the Corner Seat carton)



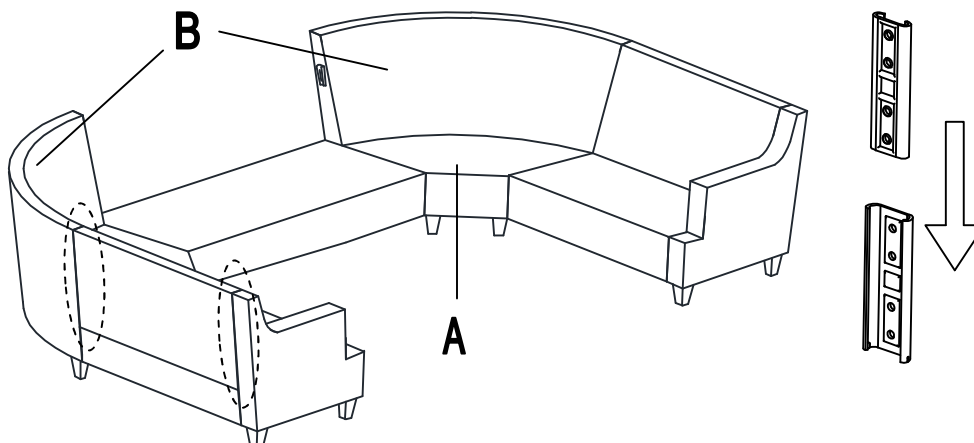
- 4** Then hook on Middle Seat Frame to Left and Right Corner Seat (A) & (B) properly.  
(Middle Seat Frame is not in the Corner Seat carton)



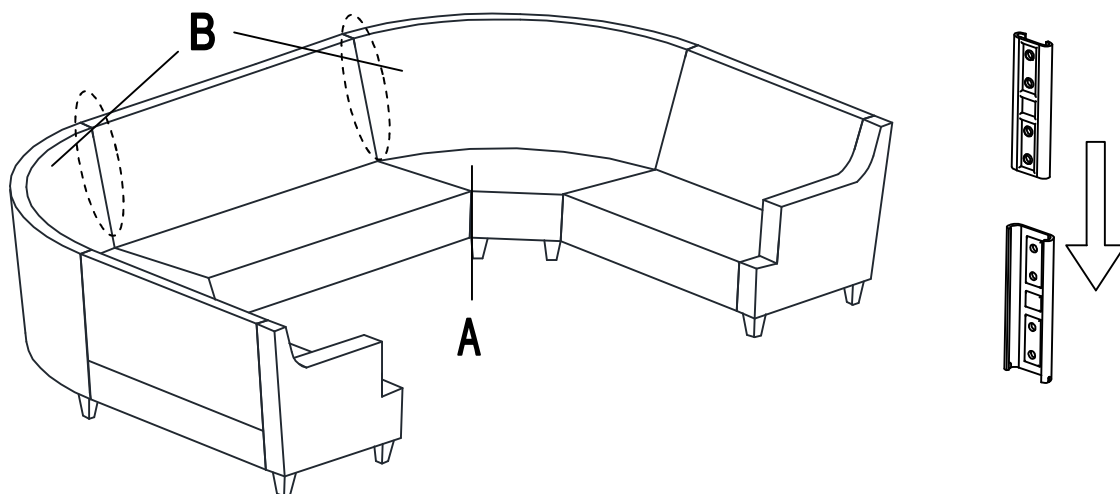
- 5** Hook on Right Back Frame to Right Panel and Corner Seat (A) & (B) properly.  
(Right Back Frame is not in the Corner Seat carton)



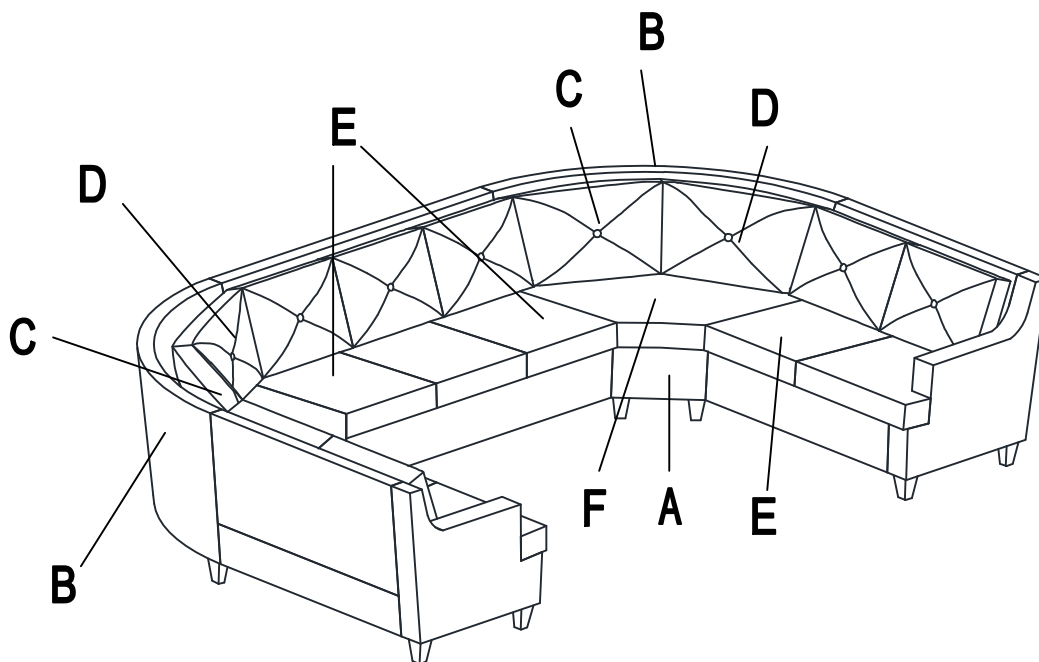
- 6** Hook on Left Back Frame to Left Panel and Corner Seat (A) & (B) properly.  
(Left Back Frame is not in the Corner Seat carton)



- 7** Then hook on Middle Back Frame to Left and Right Corner Seat (A) & (B) properly. (Middle Back Frame is not in the Corner Seat carton)



- 8** Put the Corner Back Cushion-LSF (C) & Back Cushion-RSF (D), 4pcs Middle Seat Cushion (E), Seat Cushion (F) and the cushion of Love Seat or Sofa on Love Seat or Sofa Frame. The assembly is completed.



### Cleaning & Care

Treat surface with care. Surface is resistant to scratches but is not scratch resistant. Clean surfaces with a dry or damp soft cloth. Do not use abrasive cleaners.