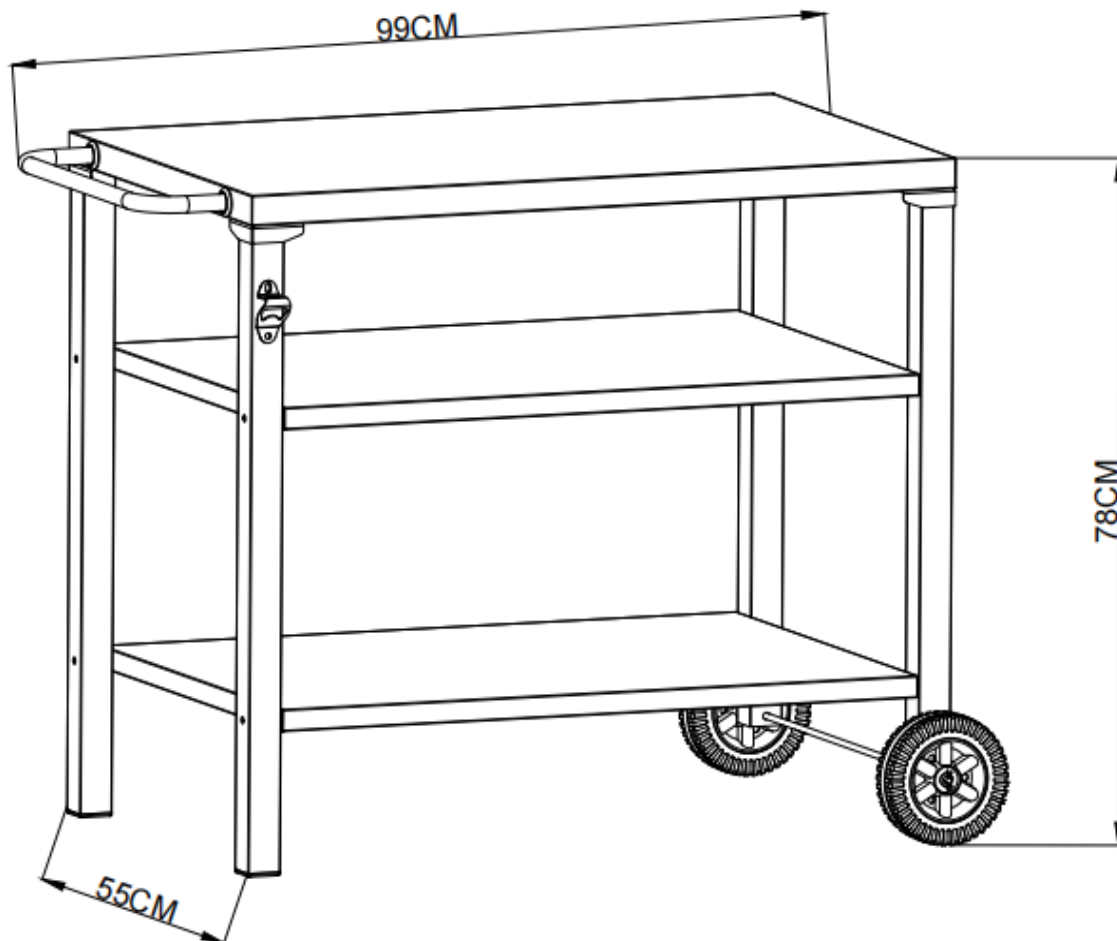
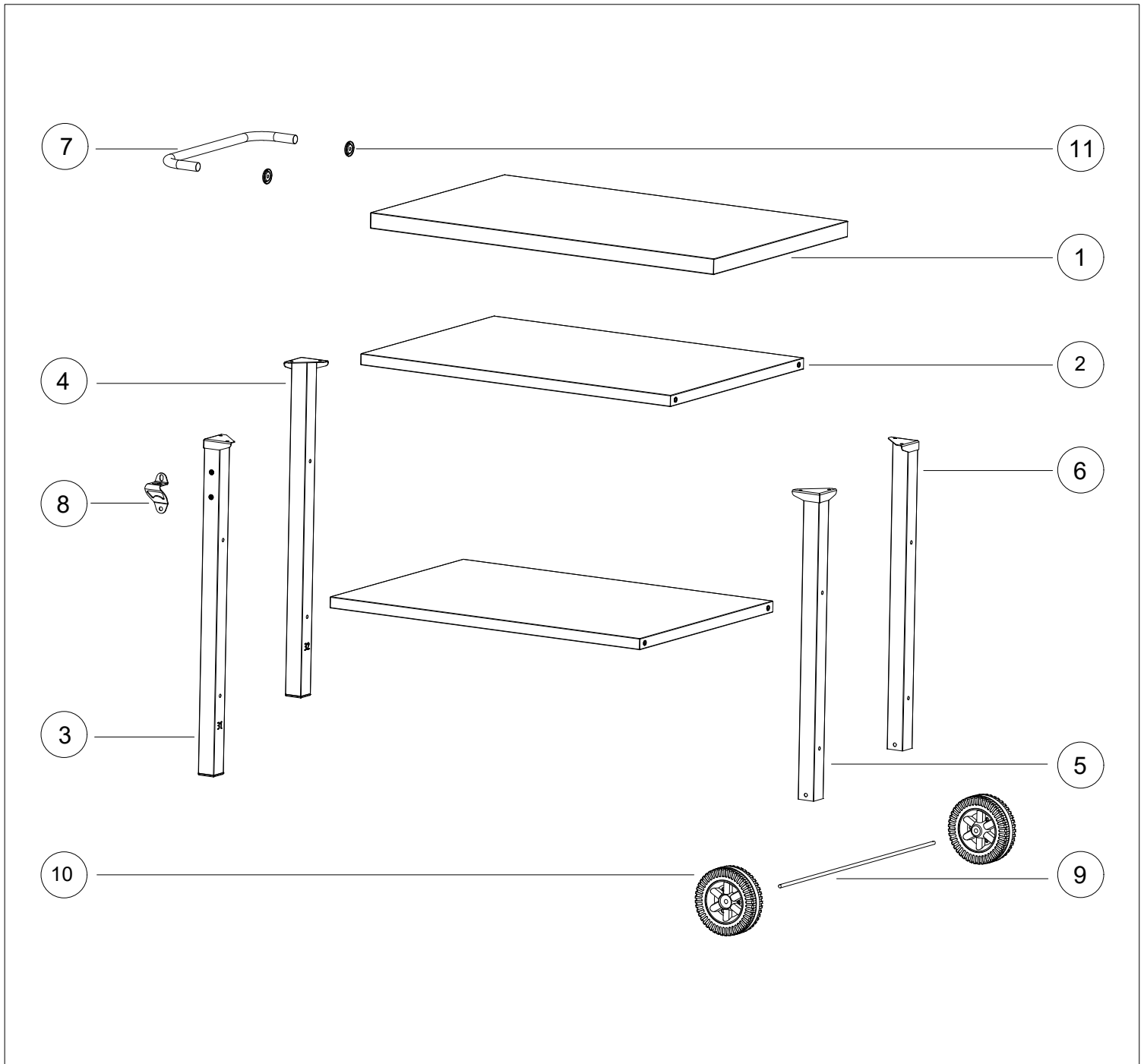


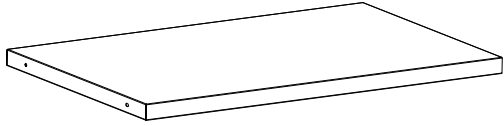
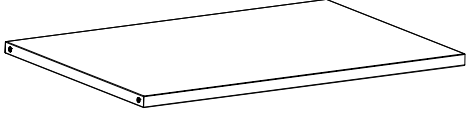
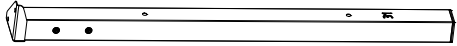

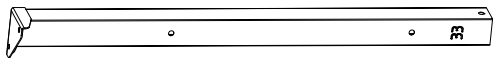

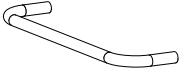


IMPORTANT INSTRUCTIONS AND OPERATING MANUAL





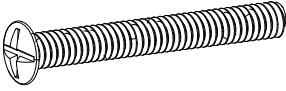




Model: GA8103





No.	Parts Name	Parts Diagram	Qty.
1	Top shelf		1
2	Bottom shelf		2
3	Left front leg		1
4	Left back leg		1
5	Right front leg		1
6	Right back leg		1
7	handle		1
8	Bottle Opener		1
9	Axle		1

No.	Parts Name	Parts Diagram	Qty.
10	Wheel		2
11	Handle Bezel		2
Hardware Contents			
AA	M6x12 Screw		10
BB	M6x12 Screw		2
CC	M6x50 Screw		8
DD	R Pin		2
EE	Washer		2

PREPARATION

Before beginning assembly of the product, ensure that all parts are present. Compare the included components with the package contents list on the previous page. If any part is missing or damaged, do not attempt to assemble the product. Contact customer service for replacement parts.

Estimated Assembly Time: 15minutes (requires two people)

Tools Required for Assembly and Leak Testing (not included):

- Phillips screwdriver
- Spray bottle
- Pliers
- Adjustable wrench



⚠ CAUTION

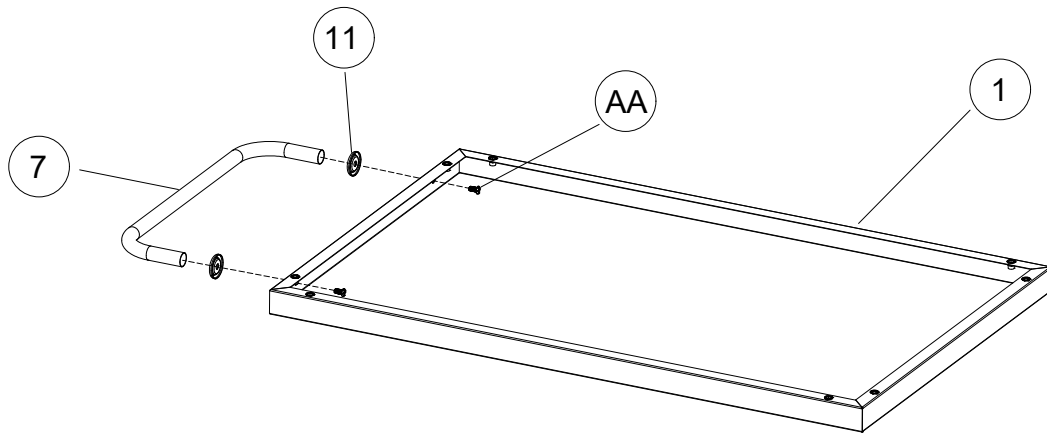
- **HEAVY UNIT:** This product is heavy. Two people are required for safe assembly.
- Some parts may have sharp edges. Wear protective gloves if necessary.
- Carefully read and follow all safety guidelines, warnings, assembly instructions, and usage instructions before attempting assembly or use.

1

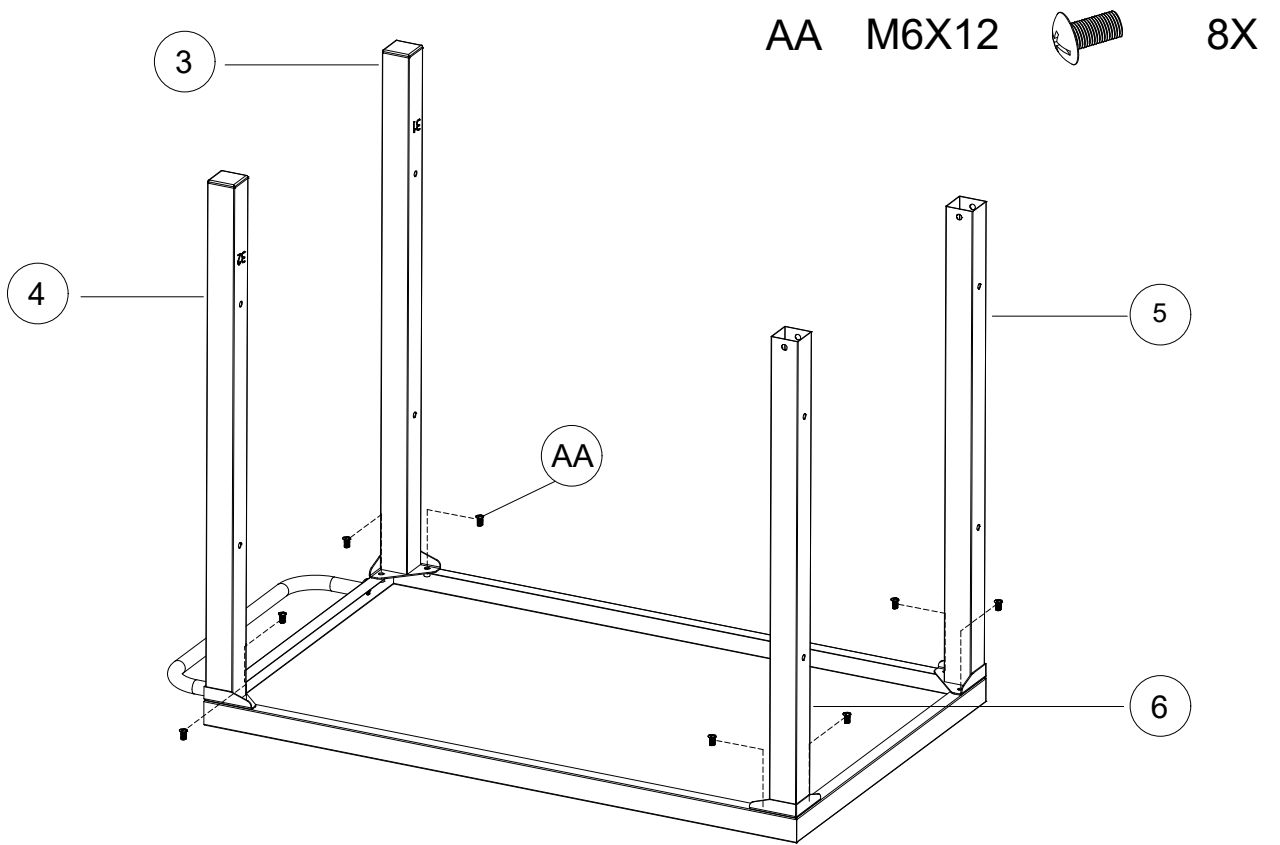
AA M6X12



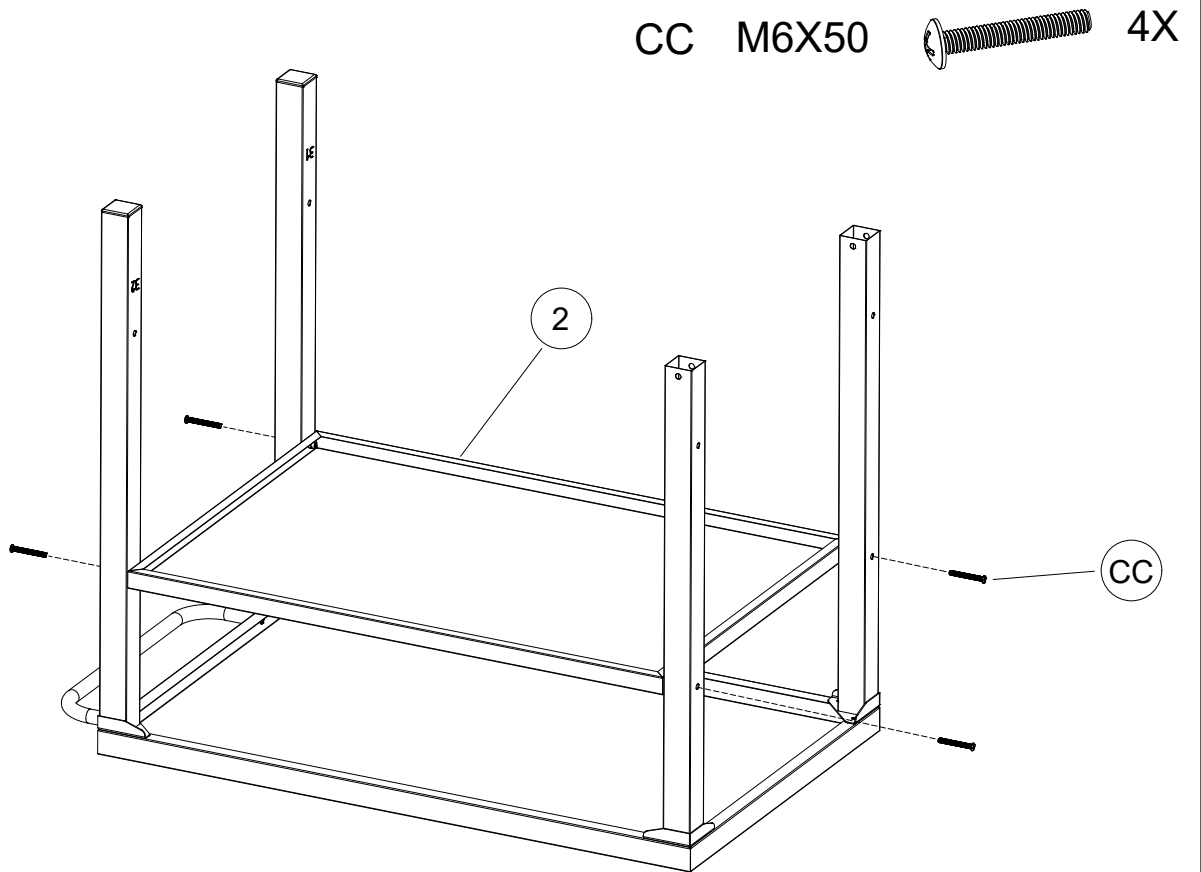
2X



2



3

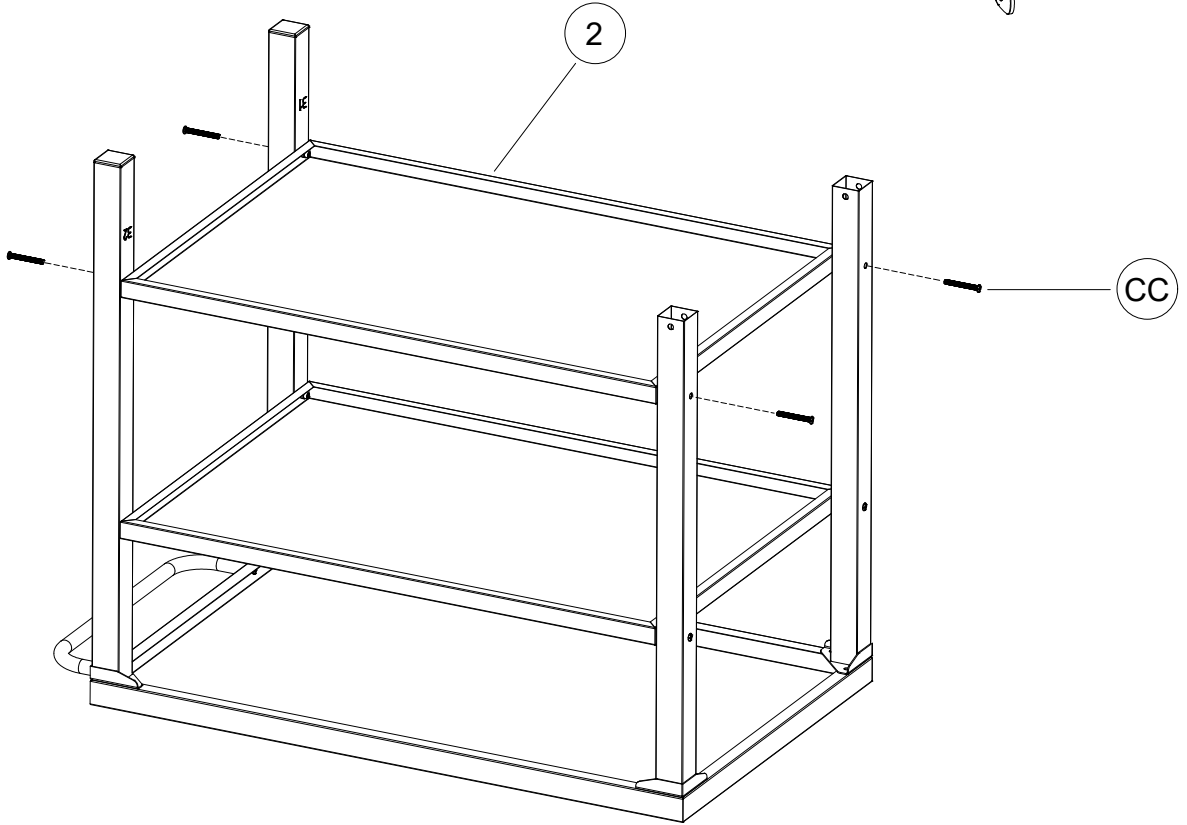


4

CC M6X50



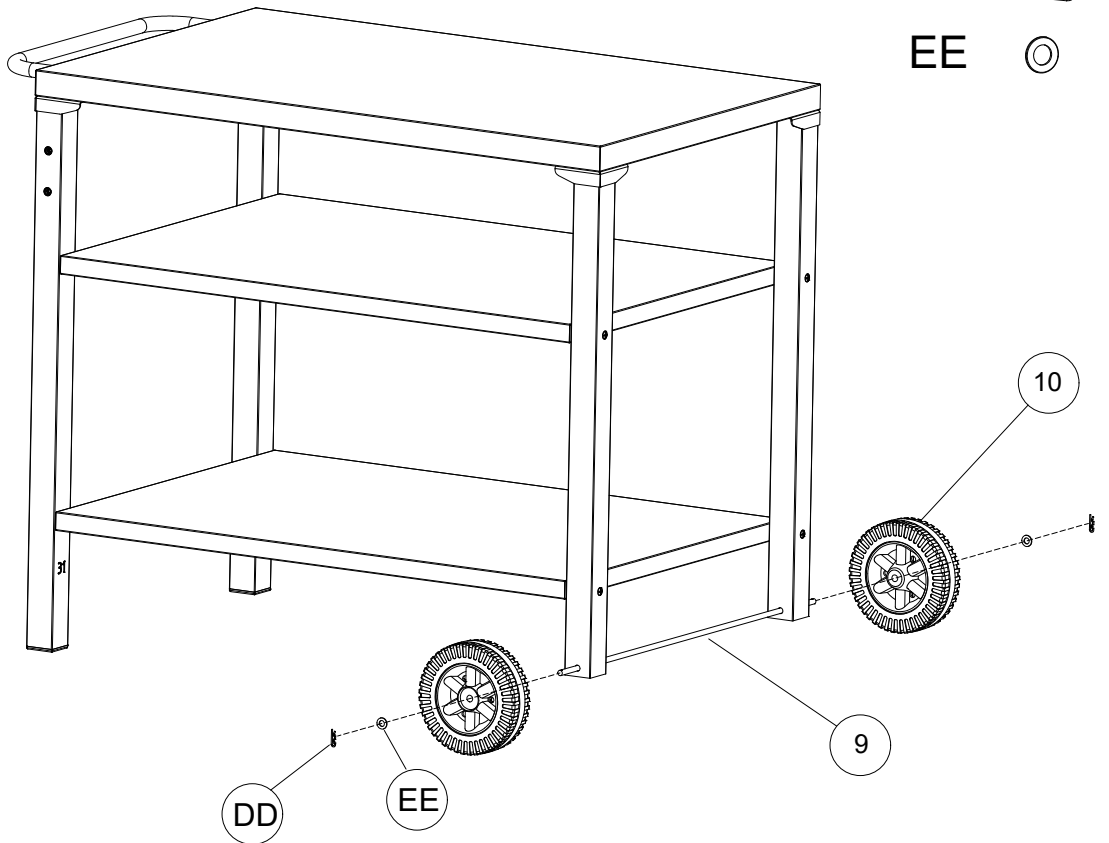
4X



5

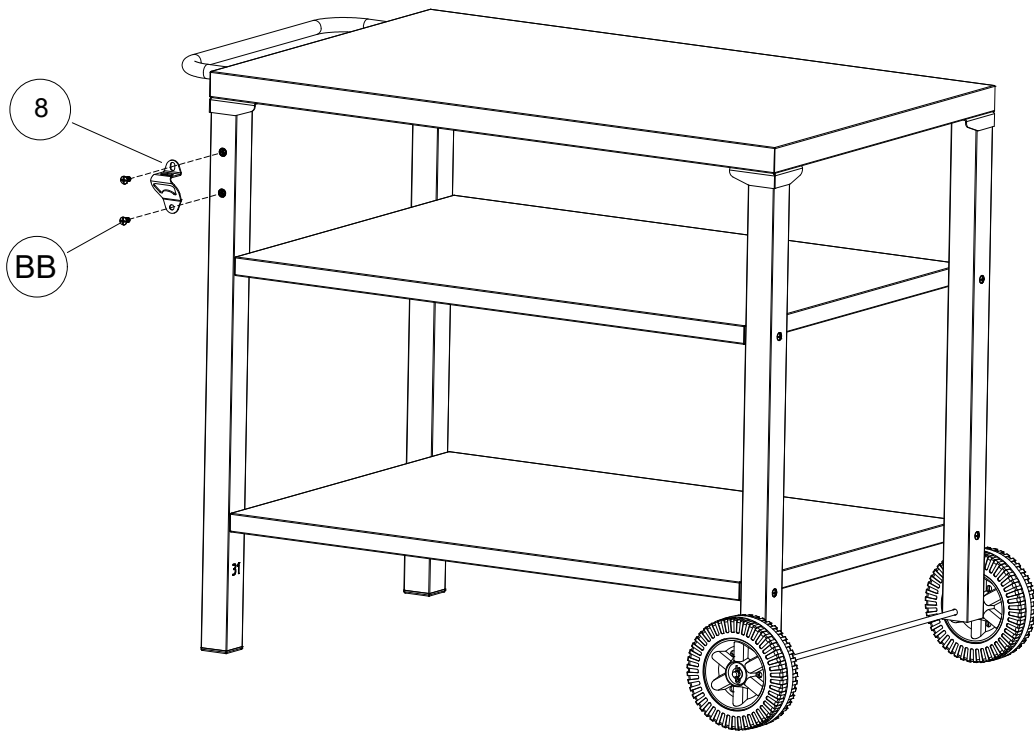
DD  2X

EE  2X

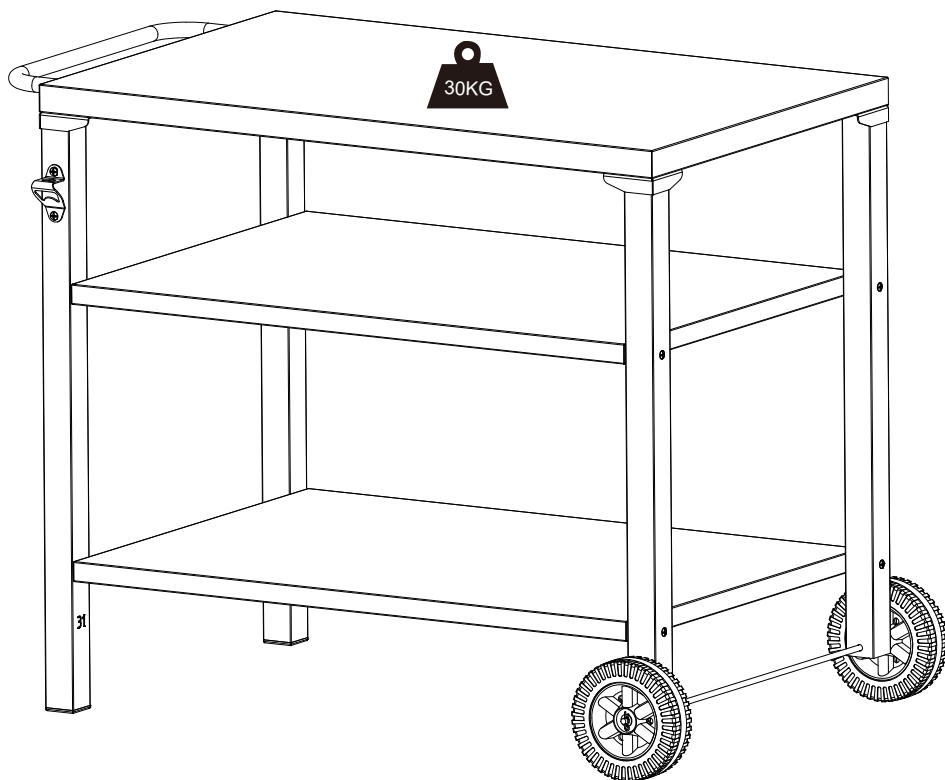


6

BB M6X12  2X



7



SAFETY INFORMATION

Thank you for purchasing this product!
If you have any suggestions for the product,
please send an email to ✉ [kommokasa01 @ gmail.com](mailto:kommokasa01@gmail.com)