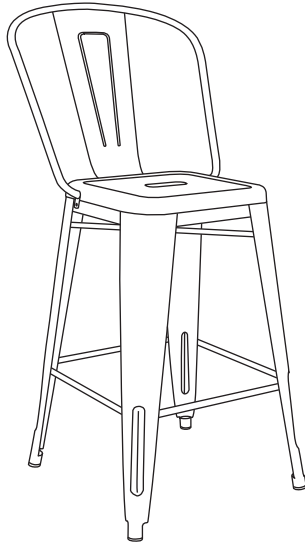






Assembly Instruction

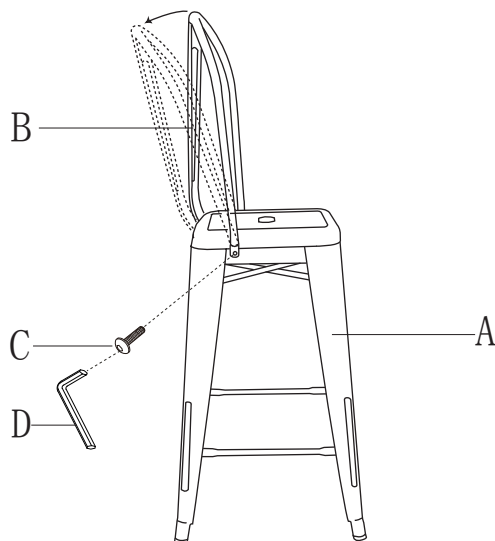
Item NO: AE3504

Please read these instructions carefully to ensure proper assembly!
Attention: Do not tighten screws until all screws are in place.



Parts List	QTY
A 	1
B 	1
C 	4
D 	1

Step 1:

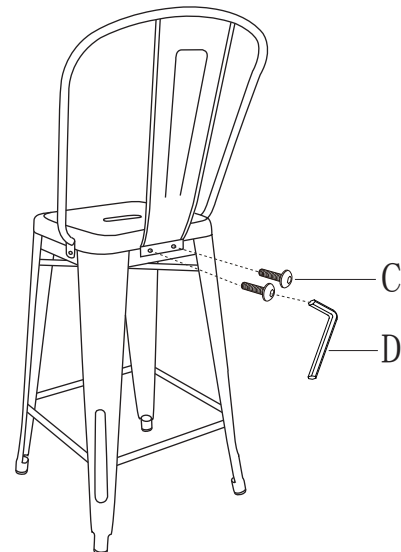


1>Fasten the back onto the seat.

Make the radian of the back suitable for the seat's radian and make it be a 90° angle.

Assemble the two screws on both the sides of the seat, but remember to keep the screw loose enough to change the radian of the back.





Step 2:



2>Pull down the back. Make an obtuse angle between the back and the seat and then assemble the rest two screws on the seat.

Tighten all the screws. Finally a beautiful chair will be displayed.

WARNING: Failure to follow these directions and warnings can result in serious injury and/or product damage.

-  Never stand on the stool or use it as a ladder.
-  Do not tip the stool when seated.
-  If any parts become missing, damaged or worn, discontinue use until they are replaced with identical parts.
-  Stool is intended for indoor use only.