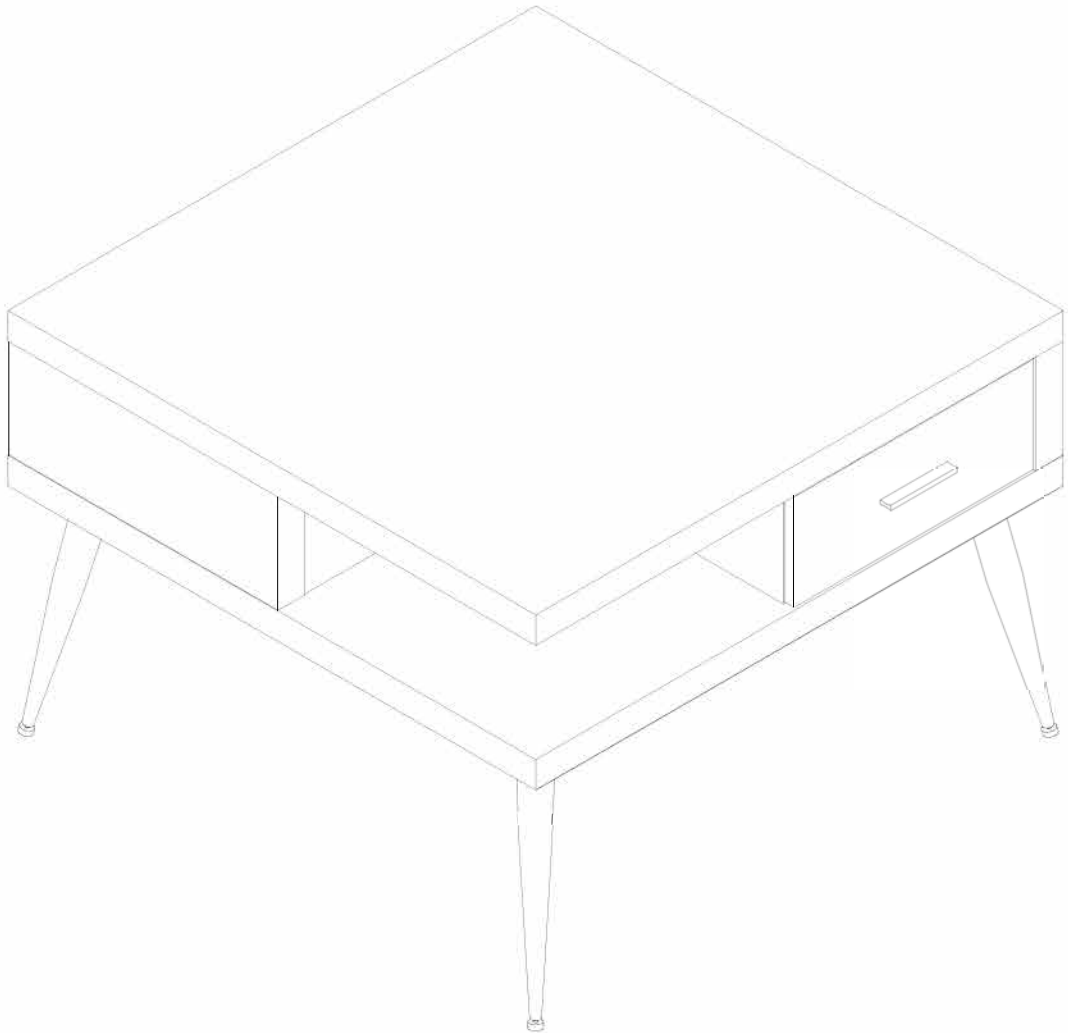


ASSEMBLY INSTRUCTION

Thank you for purchasing the quality product. Be sure to check all packing material carefully for small parts which may have come loose inside the carton during shipment. Separate, identify and count all parts and metal hardware. Compare with all parts list to be sure all parts are present. If any part(s) are missing or damaged, please contact your local furniture dealer. For efficient and speedy service, please indicate the model number and code letter of part(s) needed.

*****Do not fully tighten screws until fully assembled*****

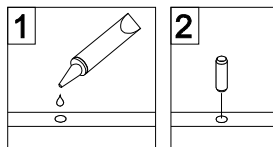


Attention:

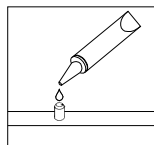
*****Some number parts listed on the instruction sheet may not be in parts bag as they may already be assembled. Carefully check parts and packing materials prior to ordering replacements.**

General Assembly Guidelines

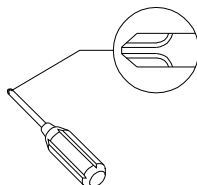
- I. Ensure that all parts and hardware are available before beginning assembly.
- II. Follow each step carefully to ensure the proper assembly of this product.
- III. Two people are recommended for ease in the assembly of this product.
- IV. The three main types of hardware used to assemble this product are: wood dowels, screws and bolts.
- V. The provided glue is to secure wood dowels in place. When first inserting dowels, locate the appropriate hole for the dowel, place a small amount of glue in the hole and insert the dowel. Wipe away excess glue immediately.



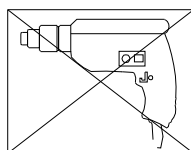
In future assembly steps when dowels are necessary to attach assembly parts together, place a small amount of glue on the end of the dowel before attaching parts together. Wipe away excess glue immediately.



- VI. A Phillips head screwdriver is required for the assembly of this product.





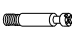


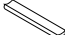







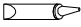
- VII. Power tools should not be used to assemble this product.

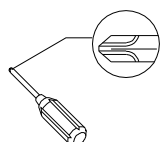


COMPONENT PARTS

DESCRIPTION	PART NAME	QTY(PCS)	DESCRIPTION	PART NAME	QTY(PCS)
1	Table Top	1	7	Drawer Side Panel(L)	2
2	Table Bottom	1	8	Drawer Side Panel(R)	2
3	Side pane	2	9	Drawer Back Panel	2
4	Middle side panel	1	10	Drawer Bottom Panel	2
5	Middle riser	2	11	Metal Legs	4
6	Drawer Front Panel	2			

Hardware List

A		Ø8x30mm	Wooden dowel	20 pcs	H		Ø3.5x14mm	Bolt	20 pcs
B		Ø6x35mm	Cam bolt	18 pcs	I			Drawer slider	2 pcs
C		Ø15x11mm	Cam lock	18 pcs	J			Handle	2 pcs
D		Ø30mm	Sticker	18 pcs	K		Ø4x30mm	Screw	8 pcs
E		Ø6x70mm	Screw	10 pcs	L		Ø8x20mm	Bolt	8 pcs
F		4mm	Allen Key	1 pcs	M		Ø4x18mm	Screw	4 pcs
G		5mm	Allen Key	1 pcs	N			Glue tube	1 pcs



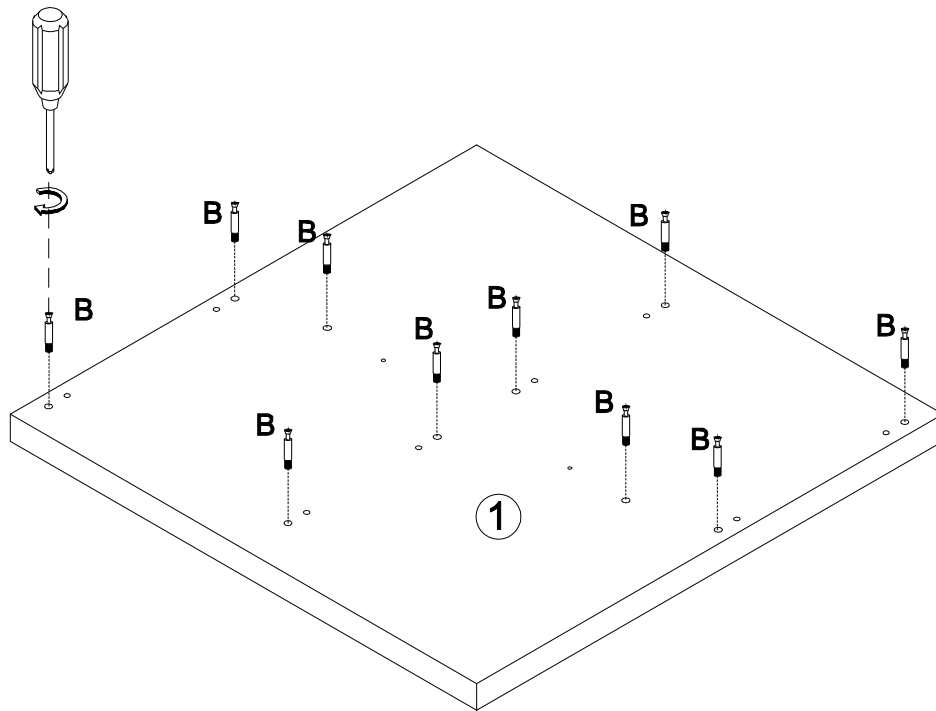
Philips head screwdriver required for assembly
(not included)

*The hardware quantities listed above are required for proper assembly.
Some extra hardware may also have been included.*

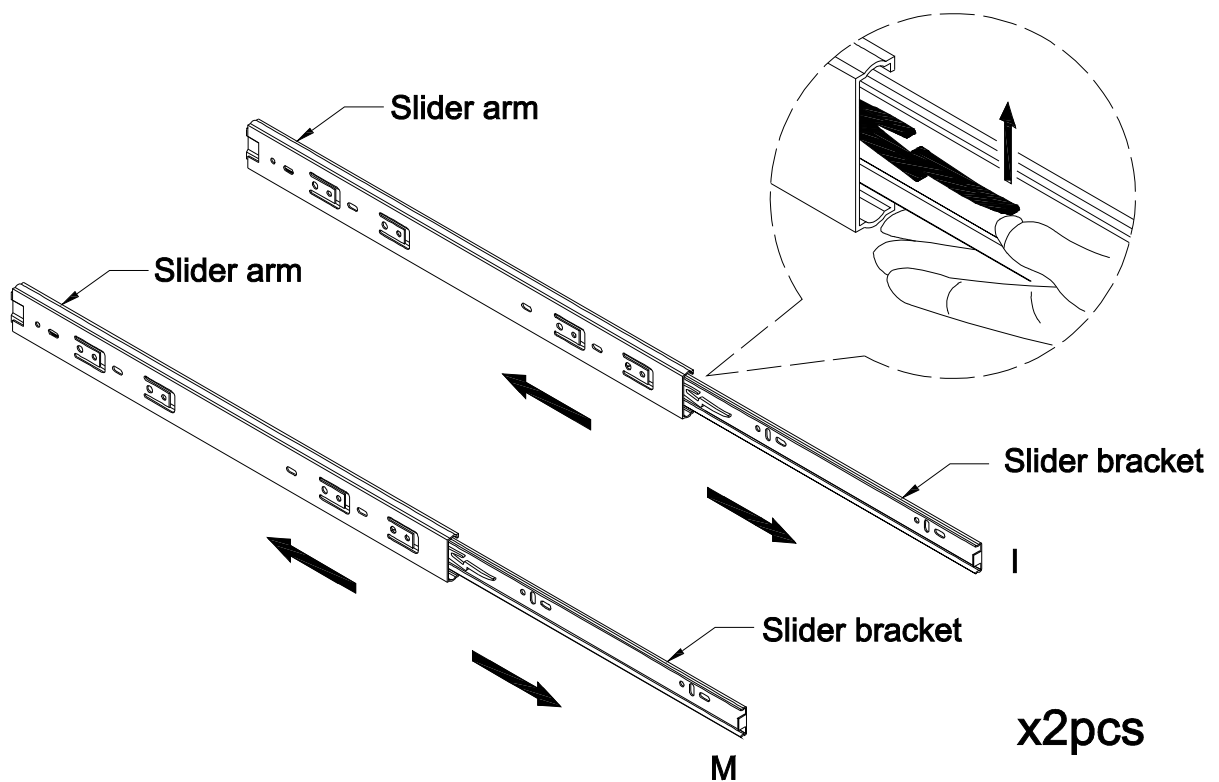
Step 1

B x 10



Ø6x35mm

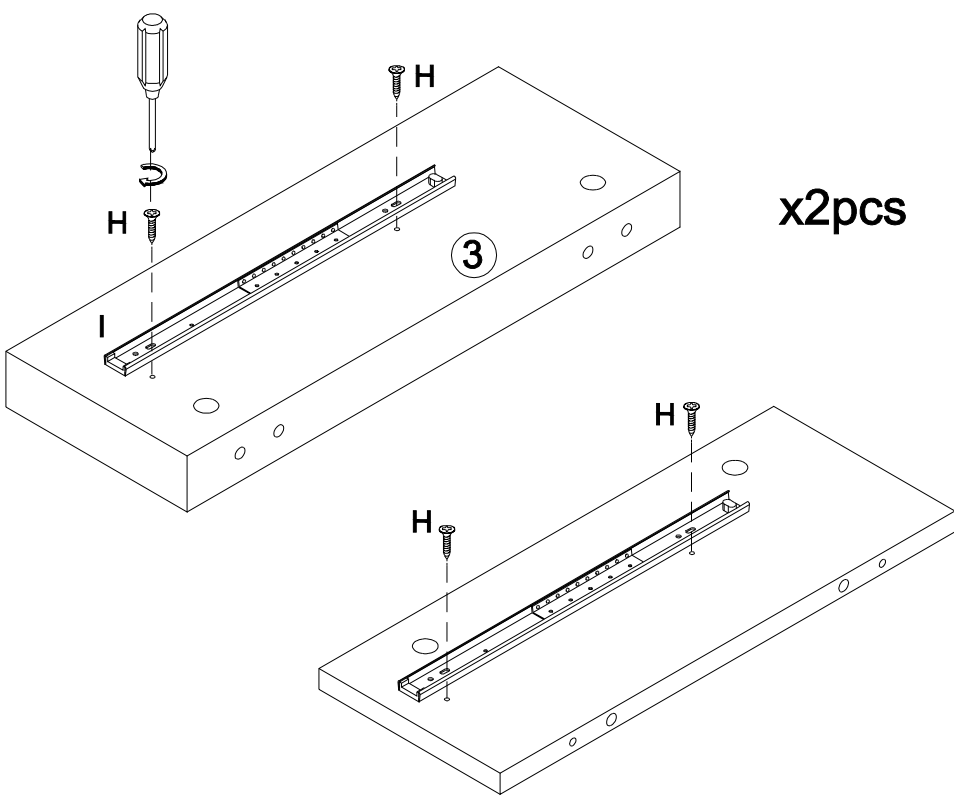


Step 2





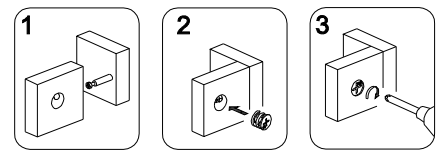
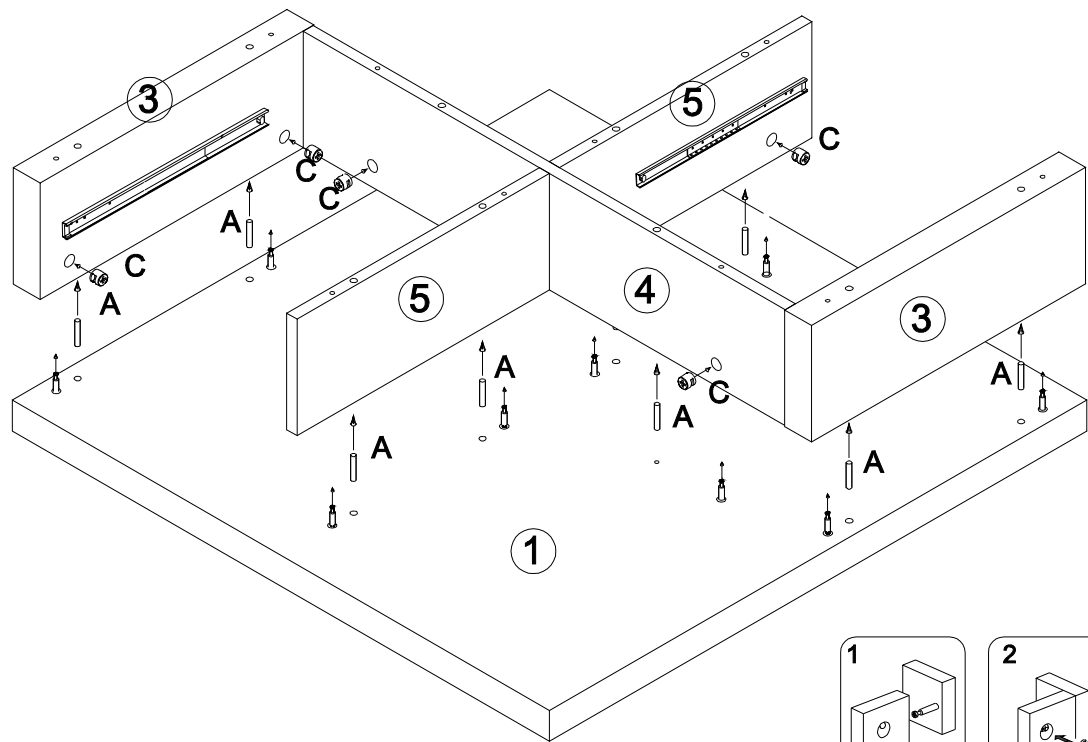
Step 3

H x 8	I x 2
	
Ø3.5x14mm	



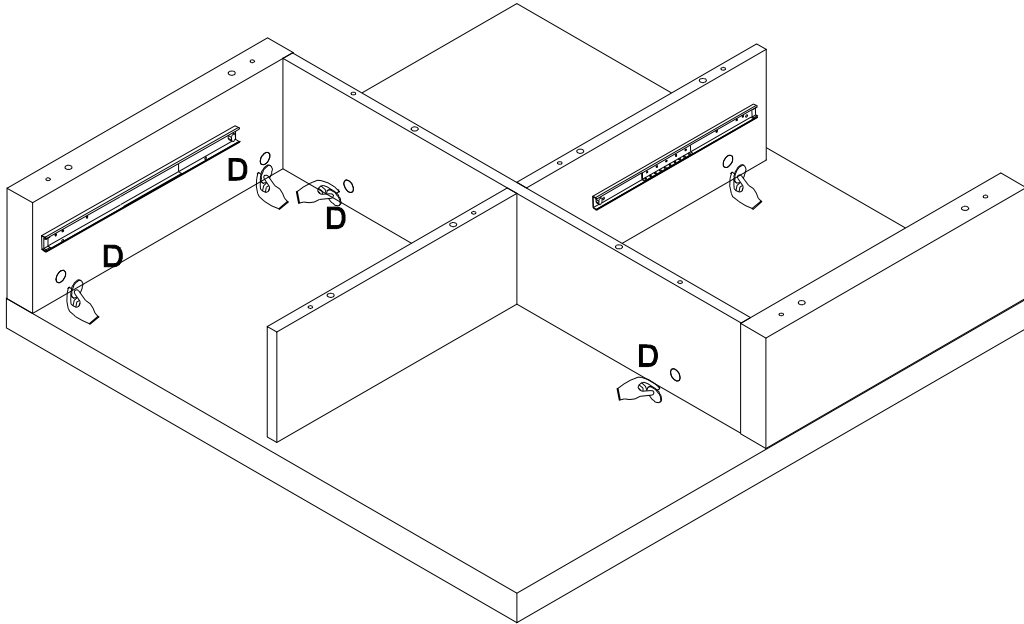
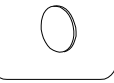
Step 4

A x 10	C x 10
	
Ø8x30mm	Ø15x11mm



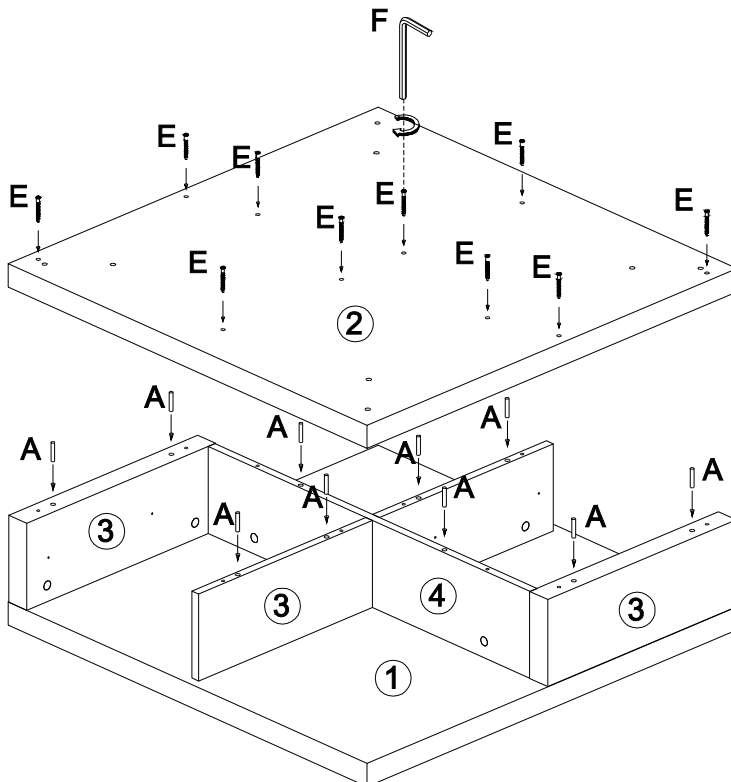
Step 5

D x 10





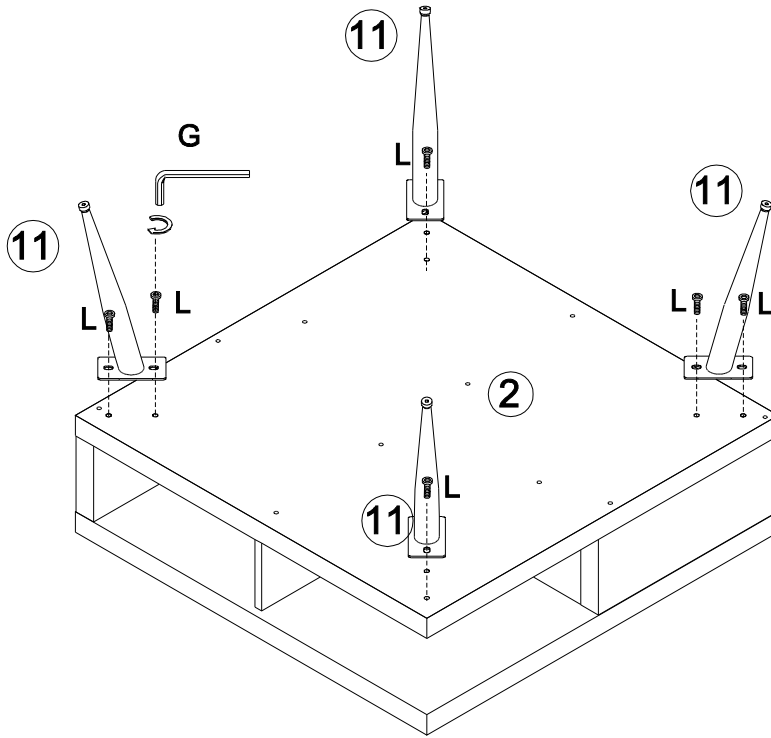
Step 6

A x 10 Ø8x30mm	E x 10 Ø6x70mm	F x 1 4mm
------------------------------	------------------------------	-------------------------


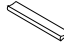



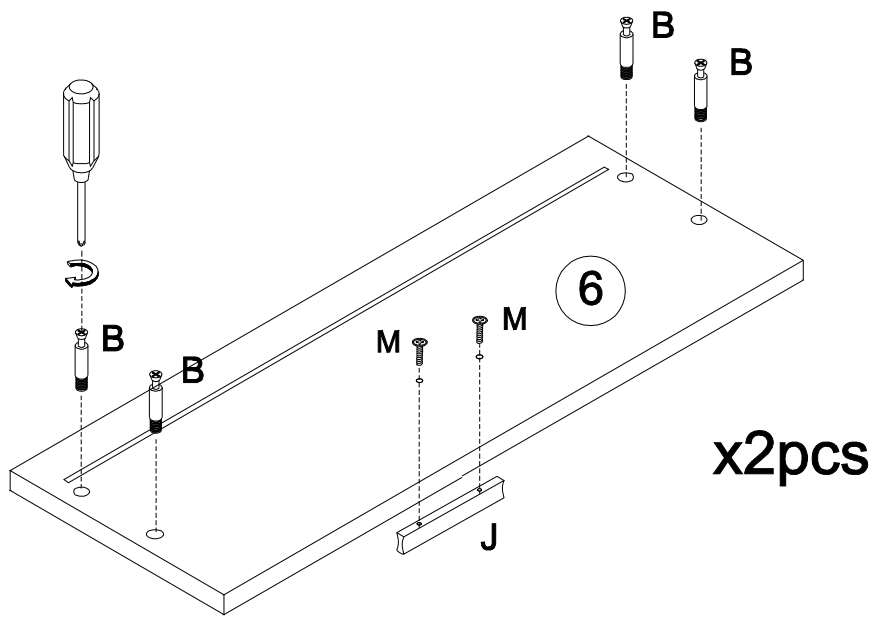
Step 7

L x 8	G x 1
 Ø8x20mm	 5mm



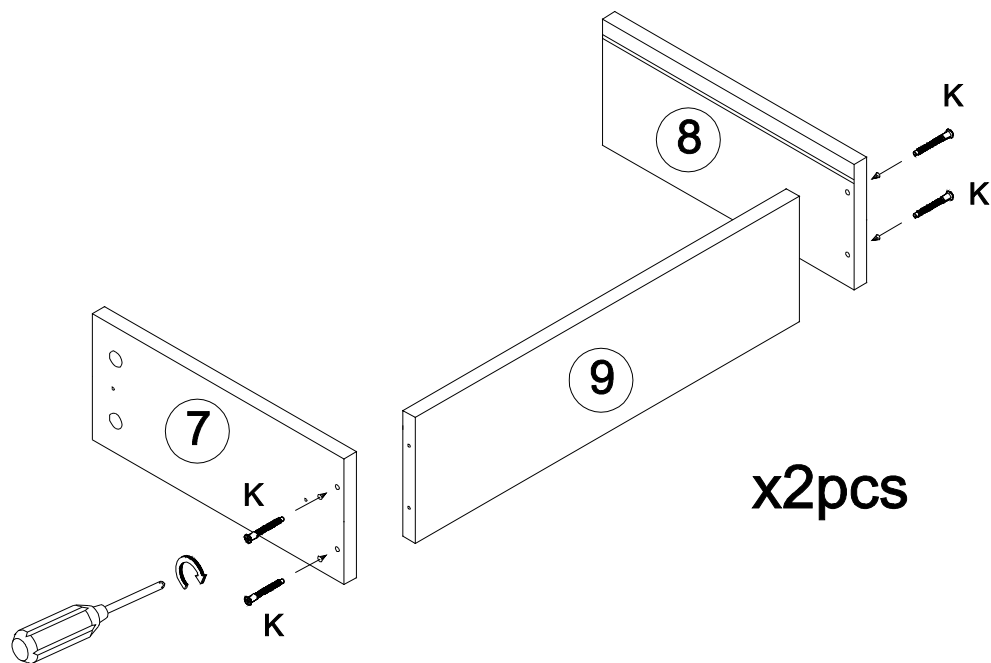
Step 8

B x 8	J x 2	M x 4
 Ø6x35mm		 Ø4x18mm

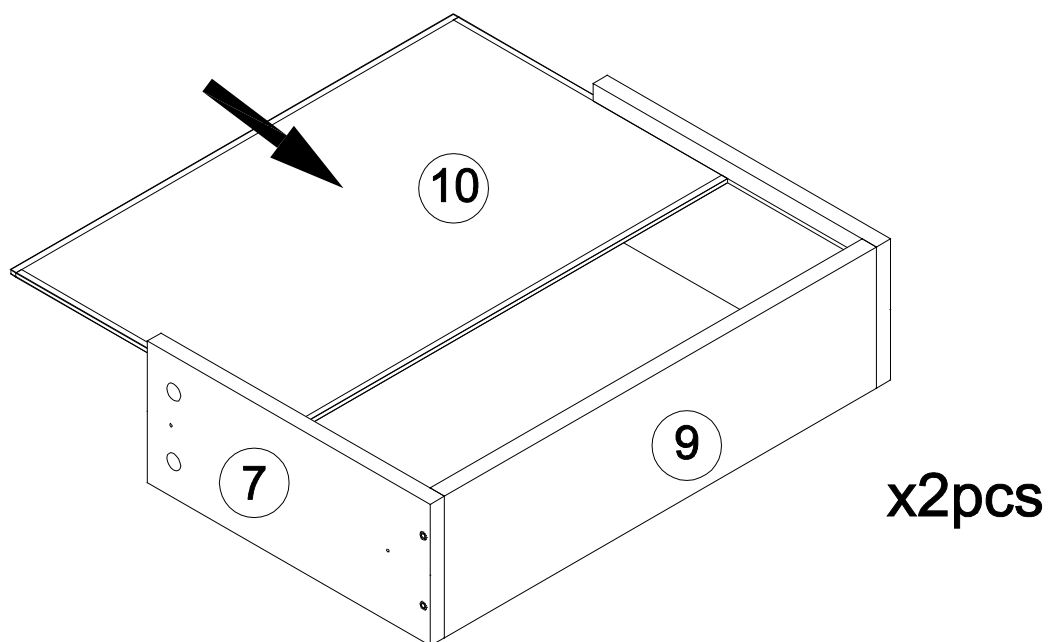


Step 9


K x 8

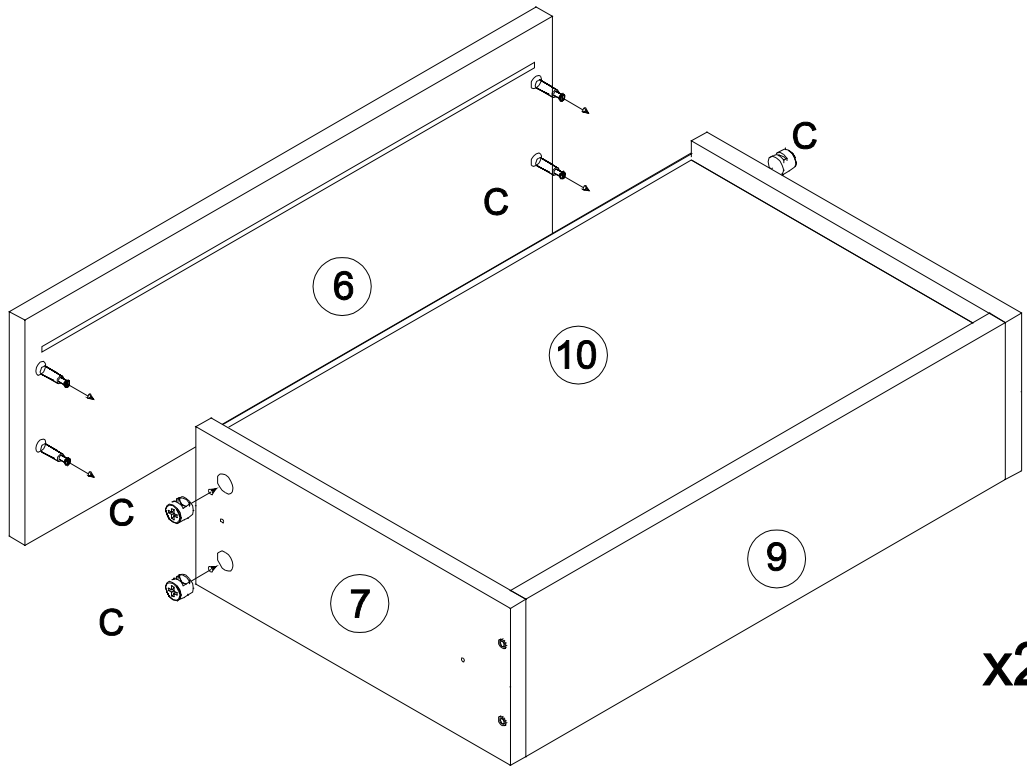


Step 10

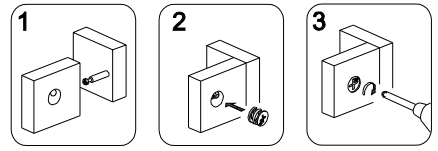


Step 11



C x 8

Ø15x11mm

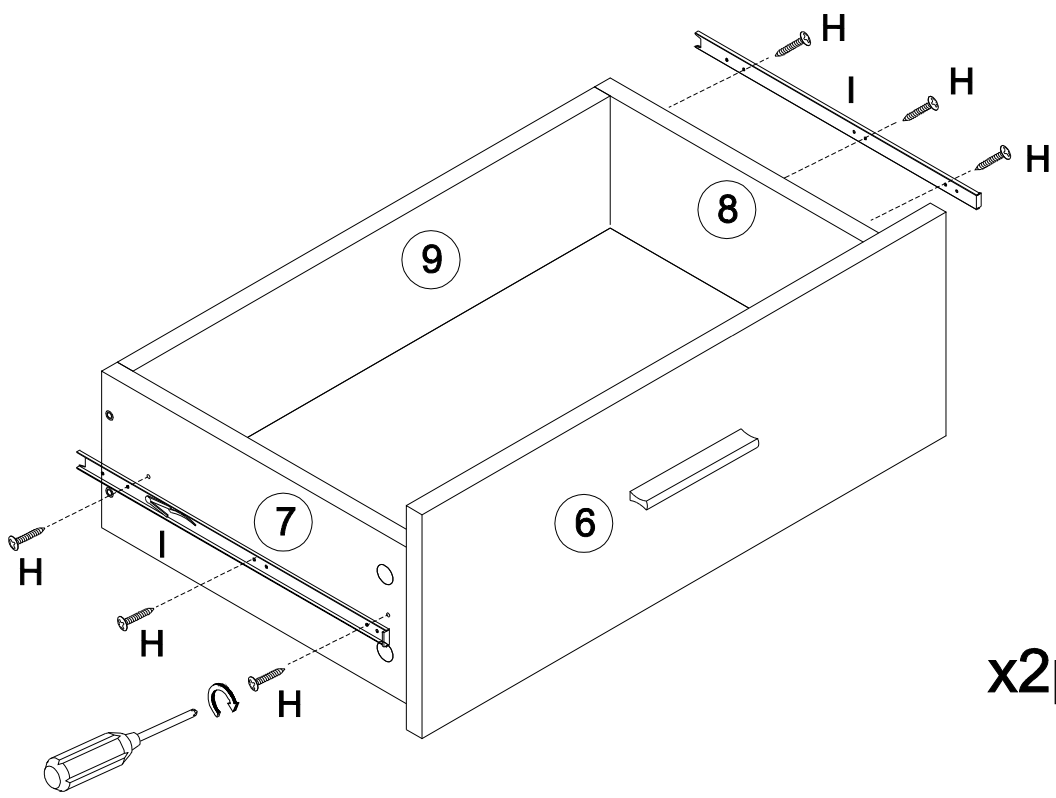


x2pcs




Step 12

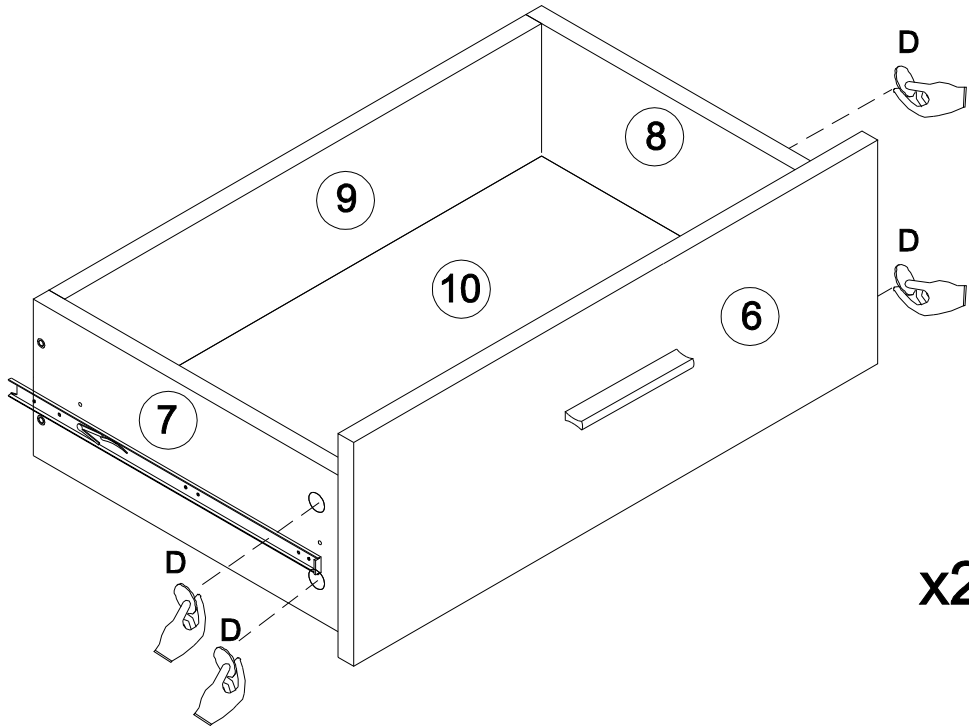
I x 2 H x 12
 
Ø3.5x14mm



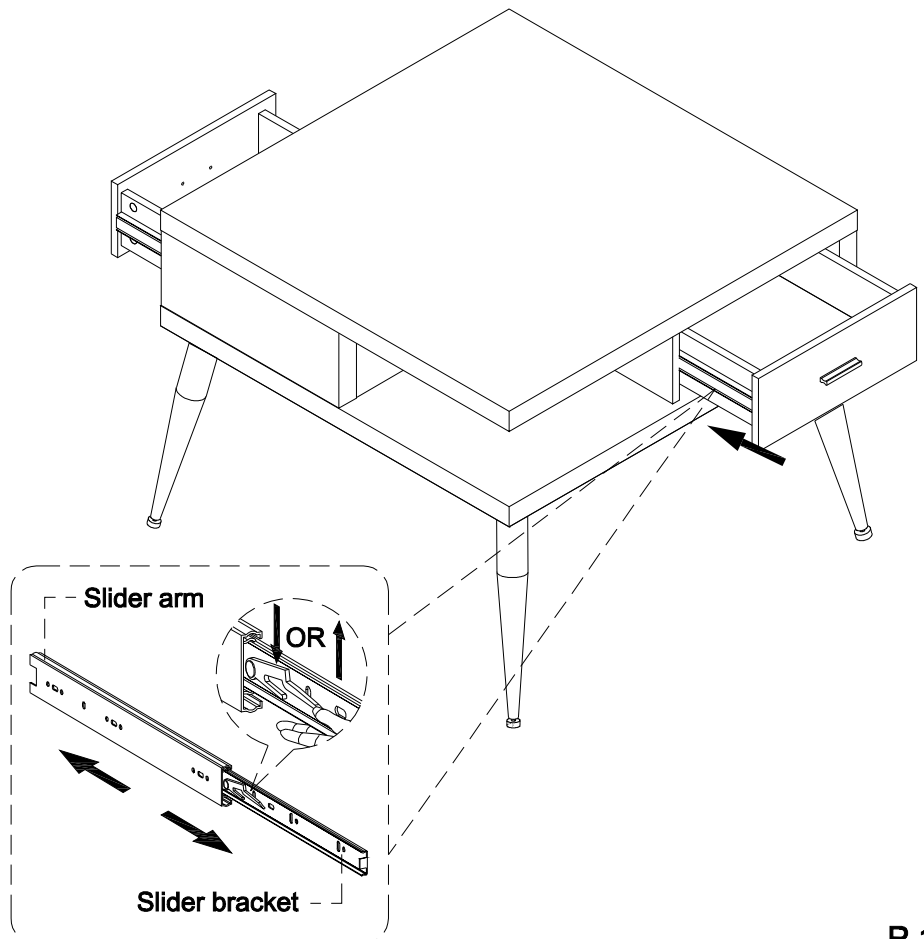
x2pcs

Step 13

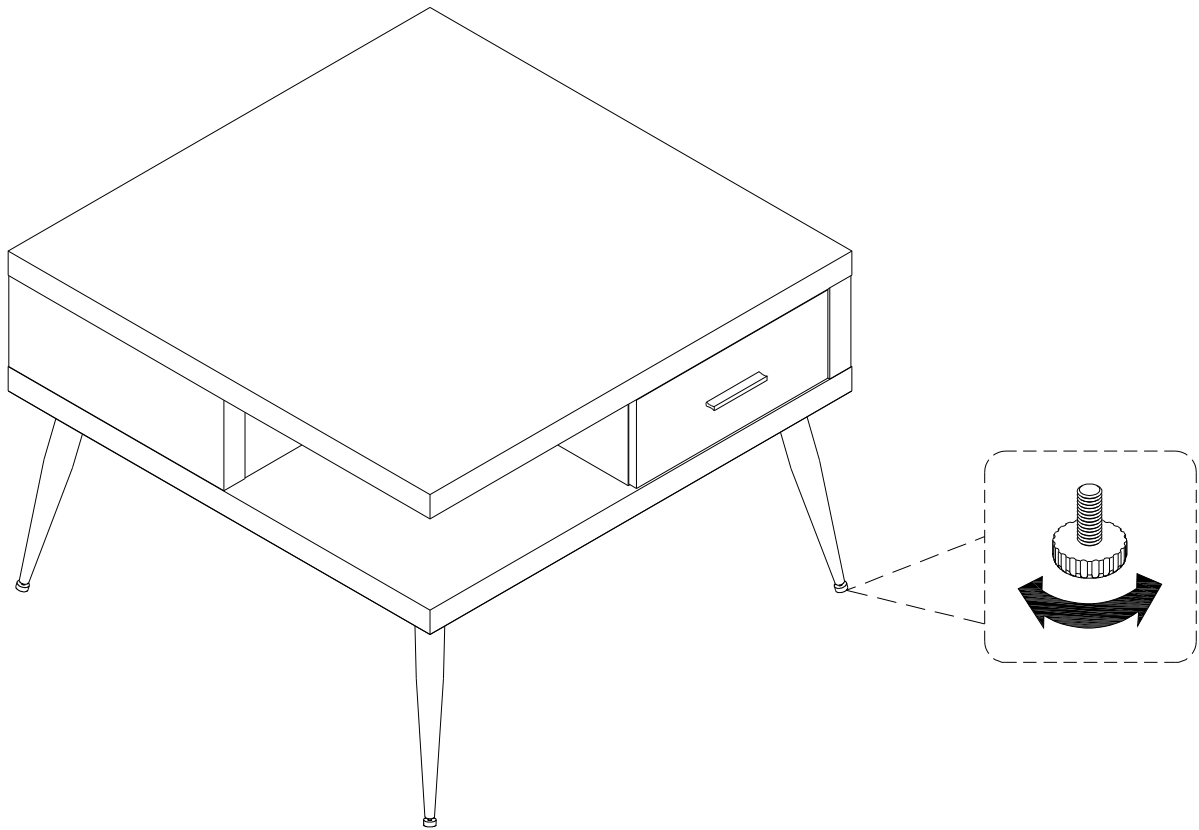
D x 8




Step 14



Step 15



Step 16

