

ASSEMBLY INSTRUCTIONS

PARTS LIST

①



②








③

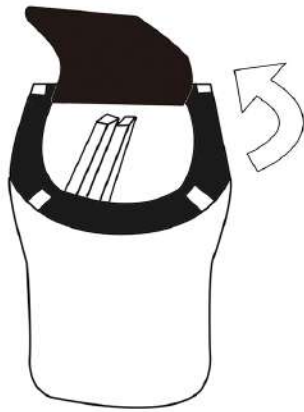


Part	Description	Qty
1	Seat Frame	1
2	Front Legs	2
3	Rear Legs	2

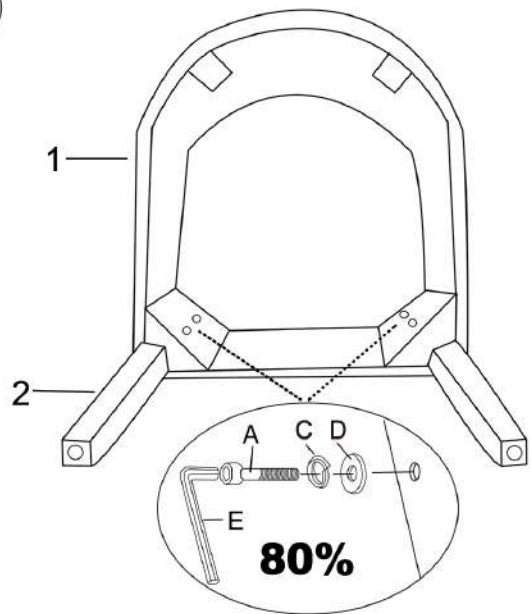
HARDWARE LIST

Part	Diagram	Description	Qty
A		Bolt M8*60MM	4
B		Bolt M8*50MM	4
C		Spring Washer	8
D		Flat Washer	8
E		Allen Key	1

1

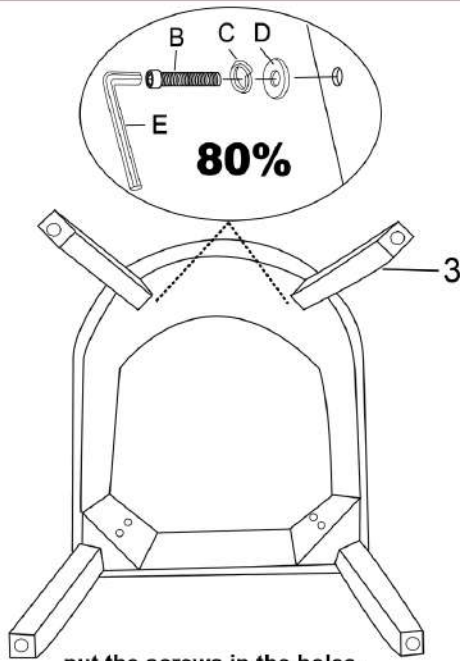


2



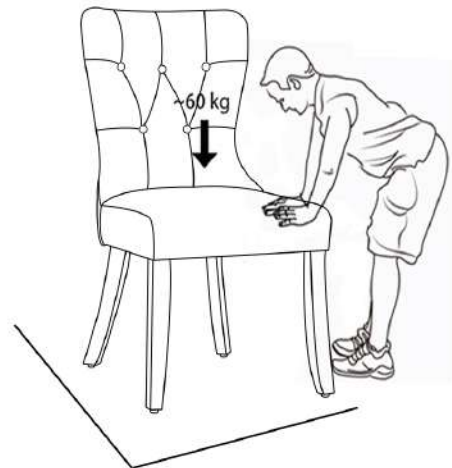
put the screws in the holes,
tight the screws, but not too tight, 80% is ok.

3



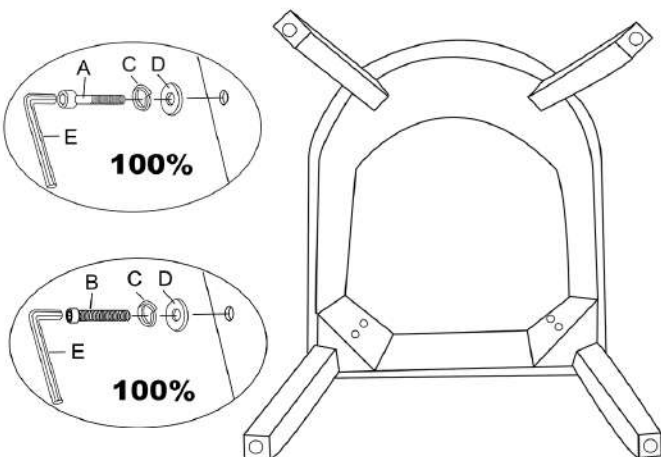
put the screws in the holes,
tight the screws, but not too tight, 80% is ok.

4



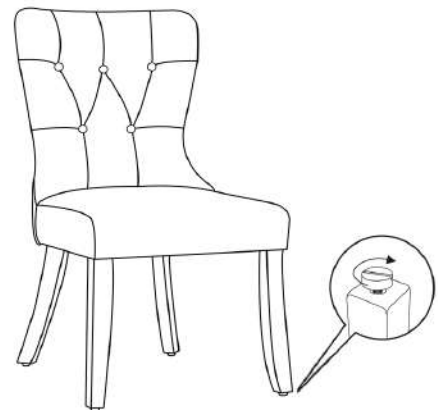
Place the chair on an even surface.
Put a load of approx. 60KG on to the seat.
Adjust until all 4 legs are level –
before you carefully tighten the screws.

5



Tight all the screws to 100%

6



Turn the chair upright then adjust the level if it wobbles.
NOTE! The screws must be tightened after a period
of use, and thereafter as required.