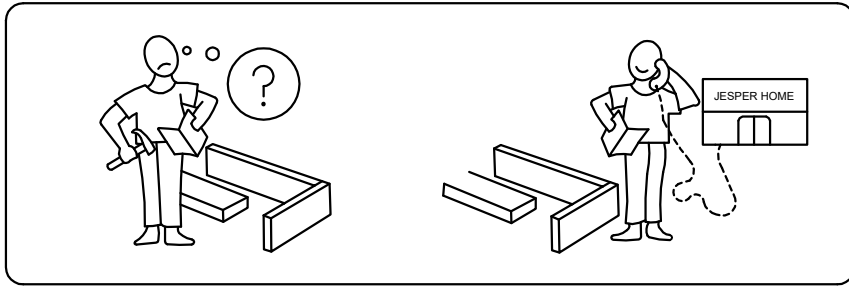
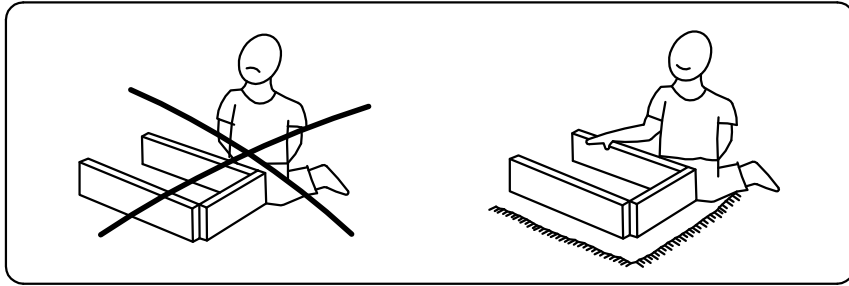
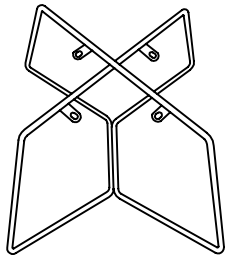


BEEHIVE



PLEASE MAKE SURE ALL PARTS ARE INCLUDED



Leg x1

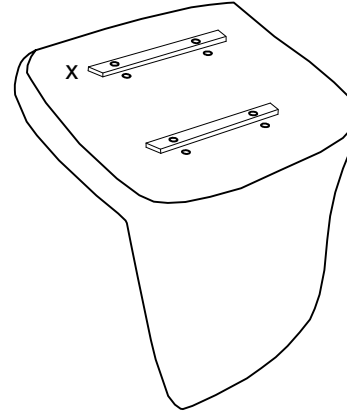
M6x12 4x

M6x16 4x

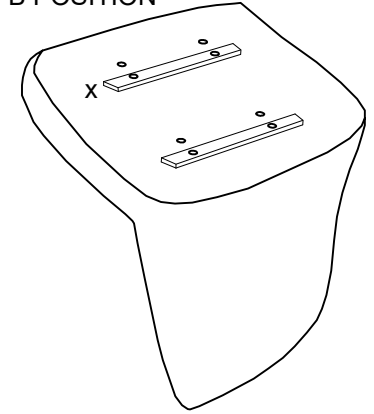
4MM 1x

STEP-1

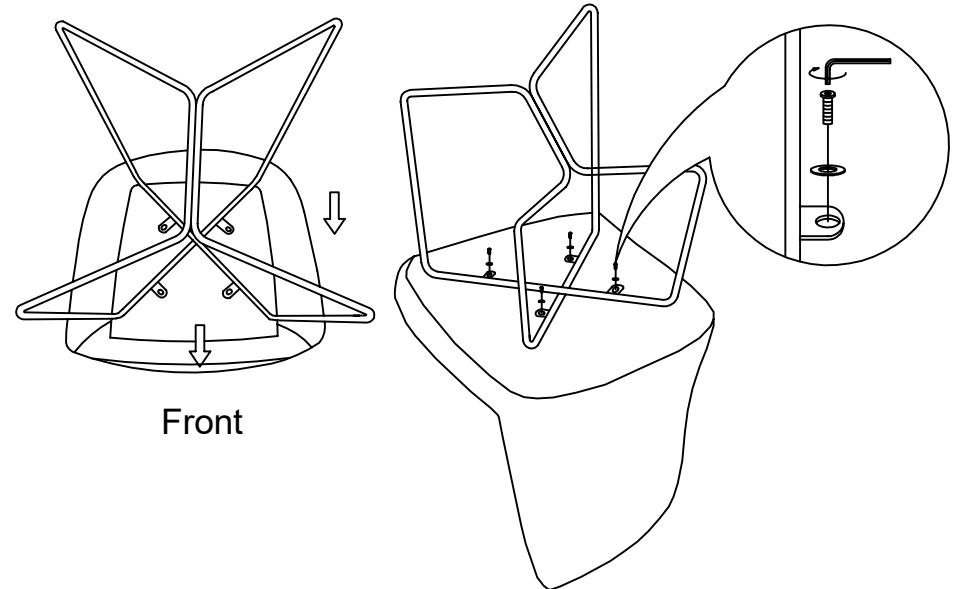
A POSITION



B POSITION



LEG WITH A POSITION



Front