



8 Degree™ Undermount large/medium double-bowl kitchen sink K-3672

Features

- 36" minimum base cabinet width.
- Large/medium bowls.
- 9-3/4" depth provides generous workspace.
- Includes installation hardware, wineglass rack, and two bottom sink racks.

Material

- Handcrafted from 16-gauge stainless steel.
- Premium 16-gauge stainless steel.

Installation

- Undermount.

Recommended Products/Accessories

- K-6135 Left-Bowl Sink Rack
- K-6136 Right-Bowl Sink Rack
- K-8801 Sink drain and strainer with tailpiece
- K-8799 Sink drain and strainer basket
- K-23726 Drain treatment
- K-23729 Stainless steel cleaner

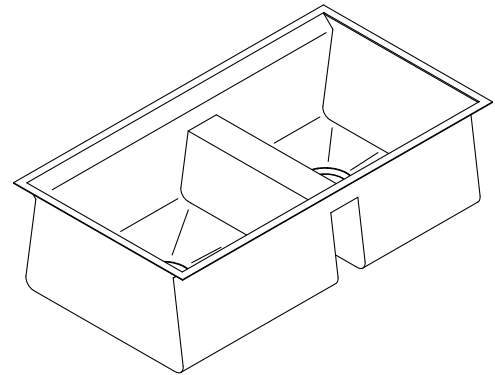
Optional Products/Accessories

- K-3140 Cutting Board
- K-11352 Disposal Flange with Stopper

Included Components

Additional Components:

- 6133
- 6135
- 6136
- 91915

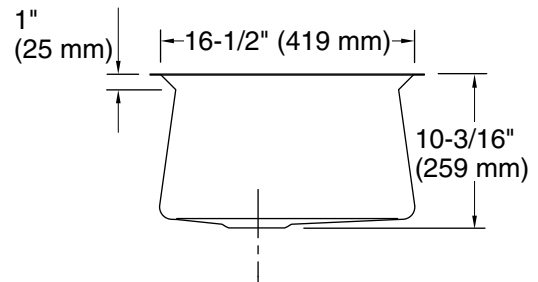
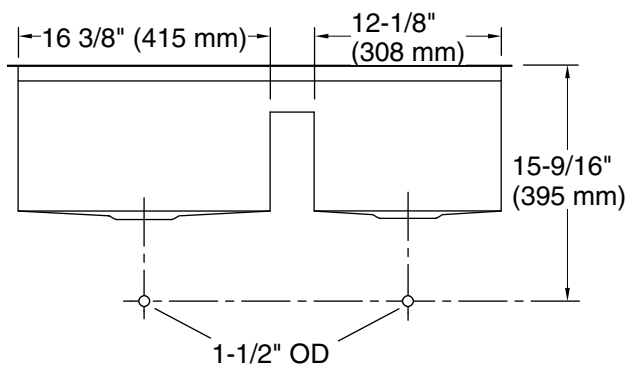
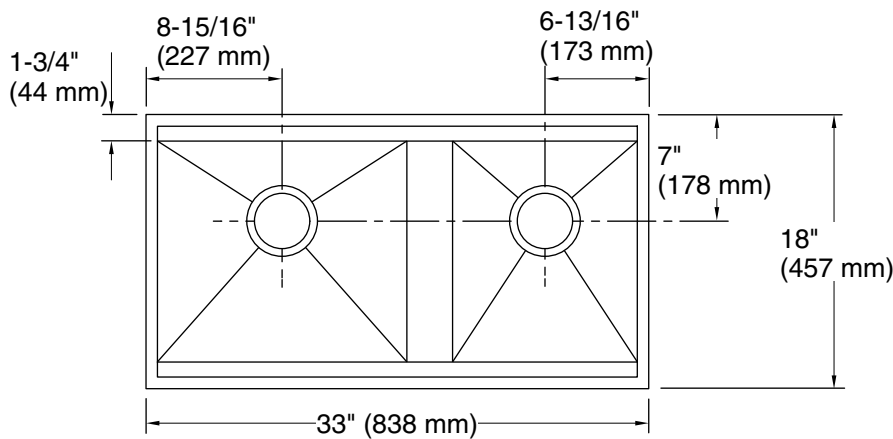


Codes/Standards

ASME A112.19.3/CSA B45.4

Lifetime Limited Warranty for KOHLER® Stainless Steel Sinks

See website for detailed warranty information.



Technical Information

All product dimensions are nominal.

Bowl configuration: Off-set Large/small

Installation: Undermount

Min. base cabinet width: 36" (914 mm)

Bowl area (Left):
 Length: 16-3/8" (416 mm)
 Width: 16-1/2" (419 mm)
 Bowl depth: 9-3/4" (248 mm)
 Water depth: 9-3/4" (248 mm)

Bowl area (Right):
 Length: 12-1/8" (308 mm)
 Width: 16-1/2" (419 mm)
 Bowl depth: 9-3/4" (248 mm)
 Water depth: 9-3/4" (248 mm)

Drain hole: 3-5/8" (92 mm)

Template: 1093327-7, required, included

Notes

Install this product according to the installation instructions.