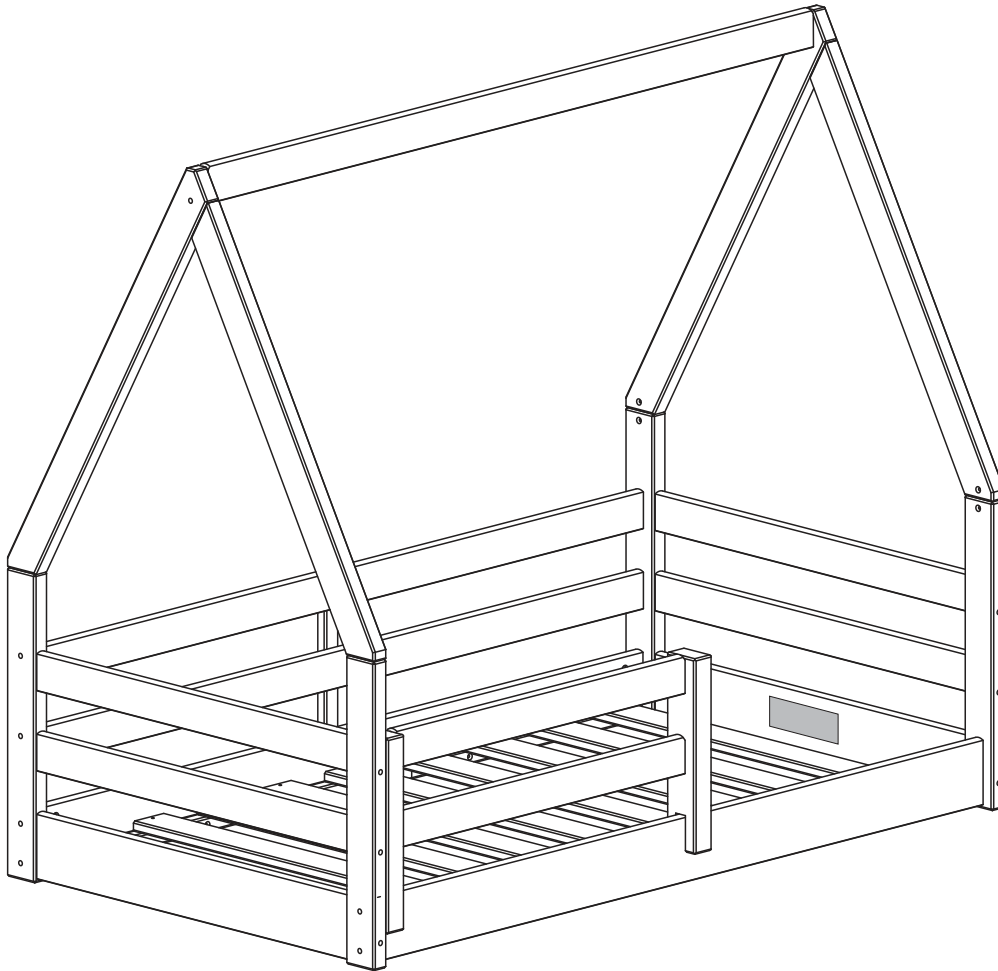


# TODDLER HOUSE BED



# ASSEMBLY INSTRUCTIONS

## SAFETY WARNINGS!

- Failure to follow these warnings and the assembly instructions could result in serious injury or death.
- Read all instructions before assembling. Keep instructions for future use.
- Upon completion of assembly, make sure all screws, bolts and fasteners have been securely tightened.
- A frequent and periodically check should be made to confirm all the screws and nuts remain tight.
- Never use this product if there are any loose, missing fasteners, loose joints, broken parts, or torn mesh/fabric.

Contact us for replacement parts and instructional literature if needed.

- Never substitute parts, the product including side rails, must be fully erected prior to use.
- Never use bed for infants, this toddler bed is not a substitute for a crib, the toddler bed is used for a child between the age of 15 months to 5 years with a maximum weight of 50 pounds (22.7kg).
- Never use plastic shipping bag or other plastic film as a mattress covers not sold and intended for that purpose, they can cause suffocation.
- Caution entrapment hazard: to avoid dangerous gaps, any mattress used in this bed shall be full size crib mattress at least 51 5/8 in (1310mm) in length, 27 1/4 in (690mm) in width and 5 in (127mm) in thickness, or greater, but not exceed 6 in. (150mm).

- Never use a water mattress with this toddler bed.

- **Warning** strangulation hazard: strings can cause strangulation!

Never place bed near window where cords from blinds or drapes may strangle a child. Never suspend strings over bed.

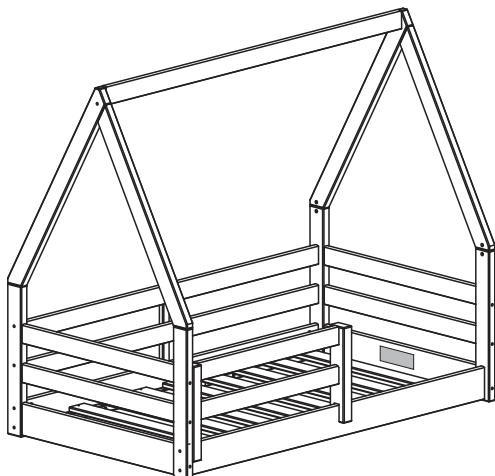
Never place items with a string cord, or ribbon, such as hood strings, pacifier cords around a child's neck. These items may catch on bed parts.

- **Warning:** infants have died in toddler beds from entrapment. Openings in and between bed parts can entrap head and neck of a small child. Never use bed with children under 15 months. Always follow the assembly instructions.

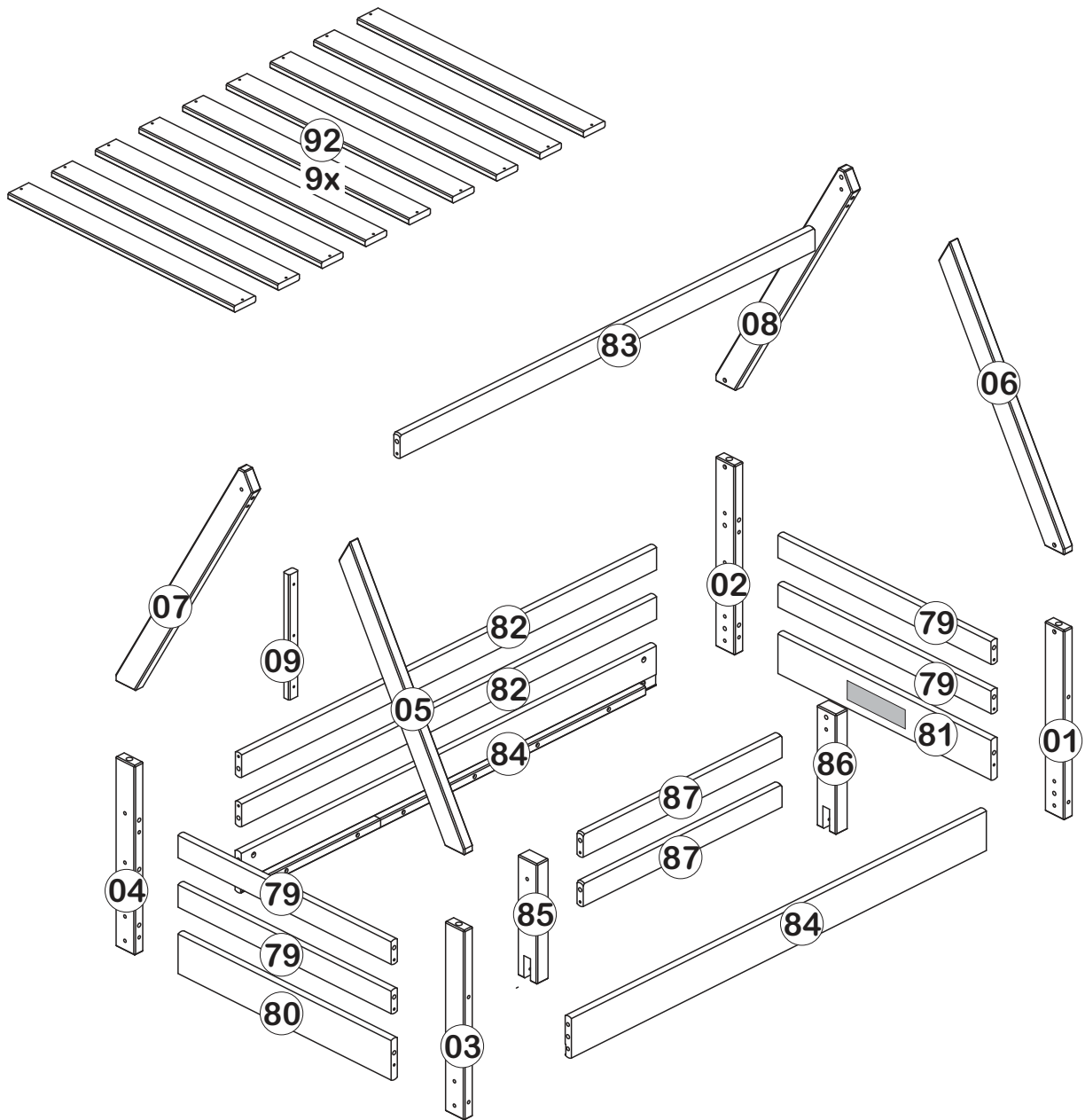
- To reduce the risk of SIDS, pediatricians recommend healthy infants be placed on their back to sleep, or advised by your physician.

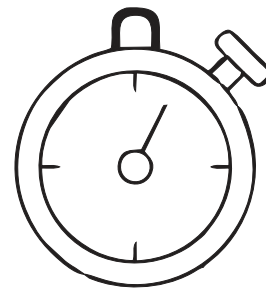
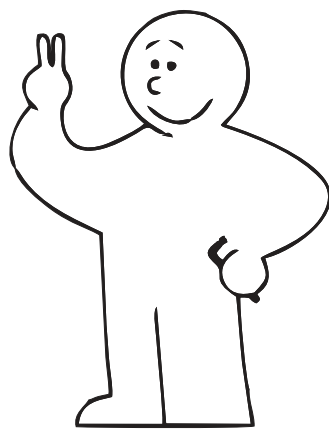
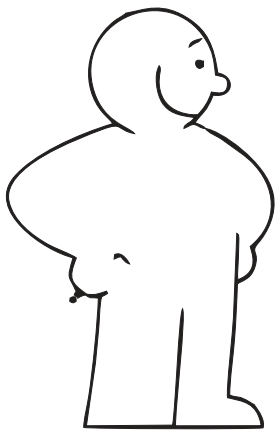
- Do not use bed if the space between bed and solid objects is less than 12in(31cm), a child could slide into the space and suffocate.

- If refinishing, use a non-toxic finish specified for children's products. To wash, clean with mild soap and damp cloth. To store, please keep in a cool place.

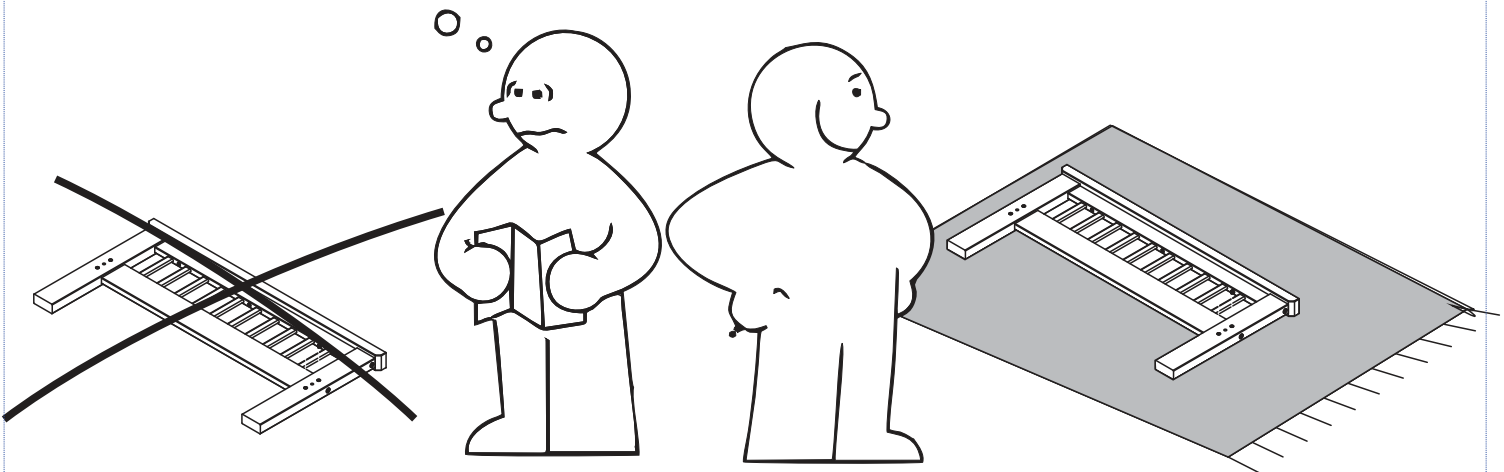


**IMPORTANT: PLEASE READ INSTRUCTIONS BEFORE STARTING THE ASSEMBLY**

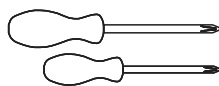
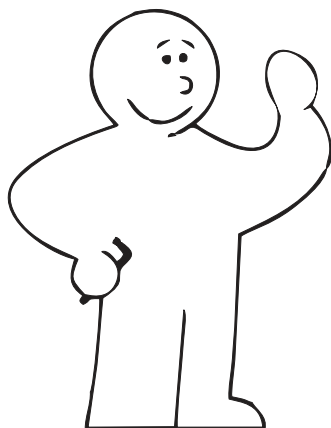




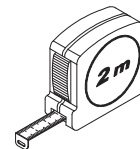
**60 Min**



### Tools required



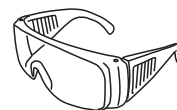
Phillips screwdriver  
(medium & large)



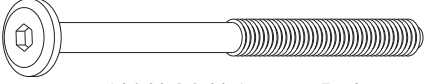
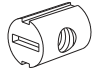
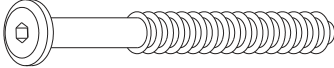
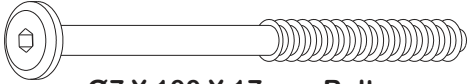
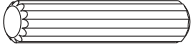
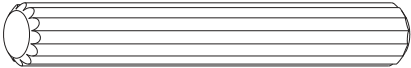

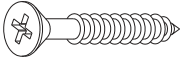
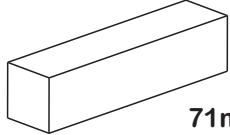

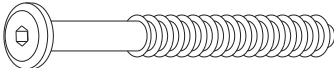
Ruler/tape  
measure



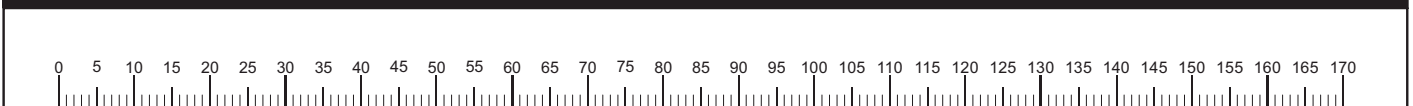
Small  
hammer



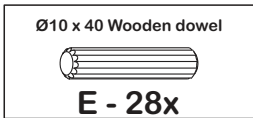
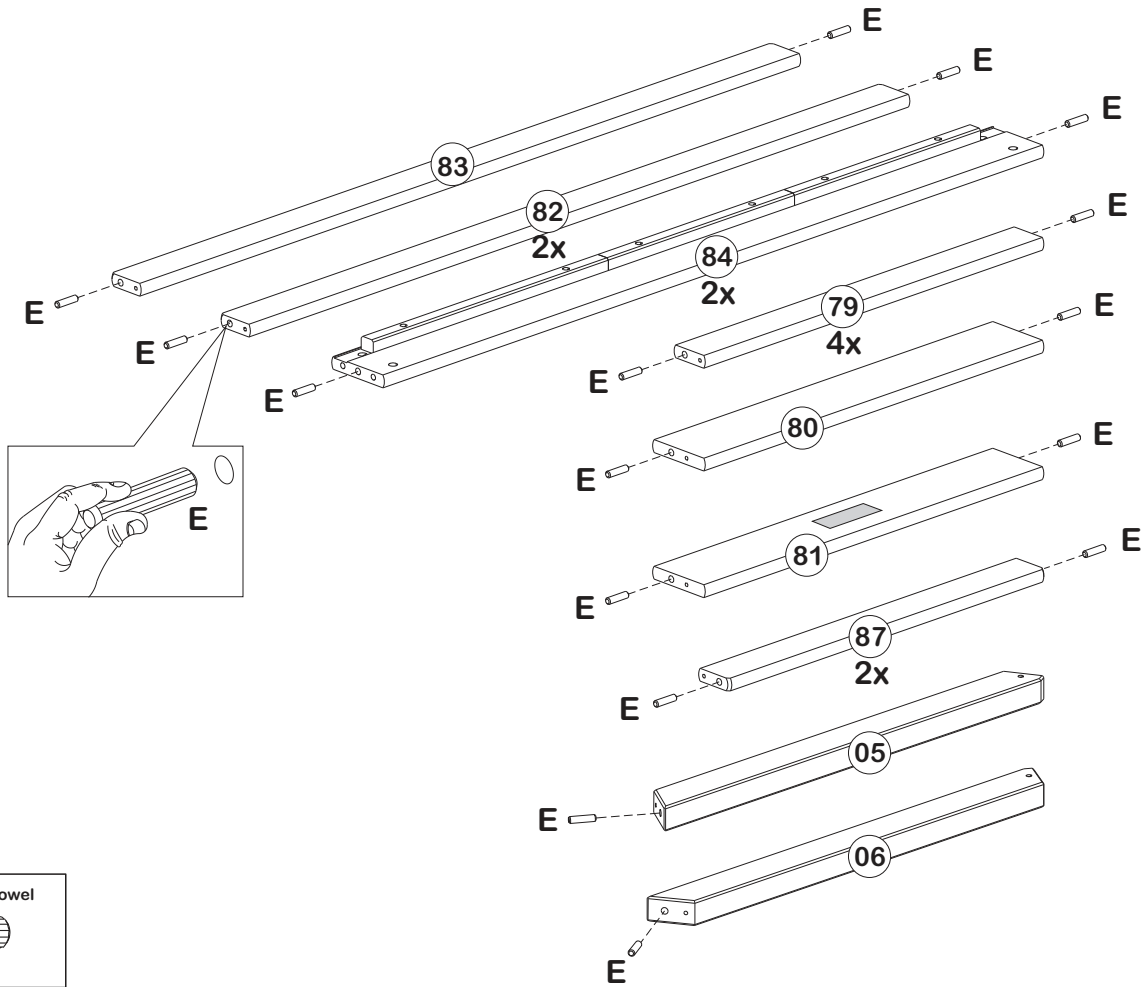
Eye protection  
(when using a  
hammer or glue)

<b>A</b>	 1/4 X 80 X 17mm Bolt	<b>08</b>
<b>B</b>	 1/4 Nut	<b>08</b>
<b>C</b>	 Ø7 X 80 X 17mm Bolt	<b>04</b>
<b>D</b>	 Ø7 X 100 X 17mm Bolt	<b>14</b>
<b>E</b>	 Ø10 X 40mm Wooden dowel	<b>28</b>
<b>F</b>	 Ø15 X 90mm Wooden dowel	<b>04</b>
<b>G</b>	 Ø4,0 X 35mm Screw	<b>25</b>
<b>H</b>	 Ø4,0 X 20mm Screw	<b>08</b>
<b>I</b>	 71mm Wood Block	<b>02</b>
<b>J</b>	 ALLEN KEY	<b>01</b>
<b>K</b>	 Ø7 X 70 X 17mm Bolt	<b>06</b>

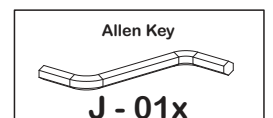
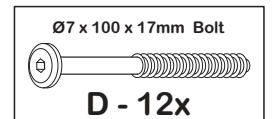
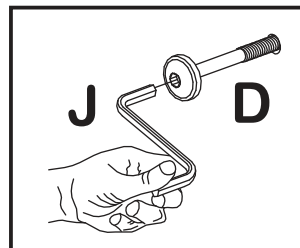
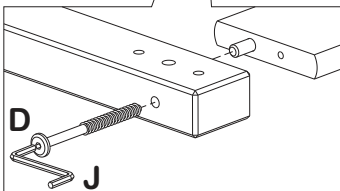
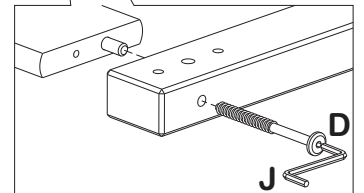
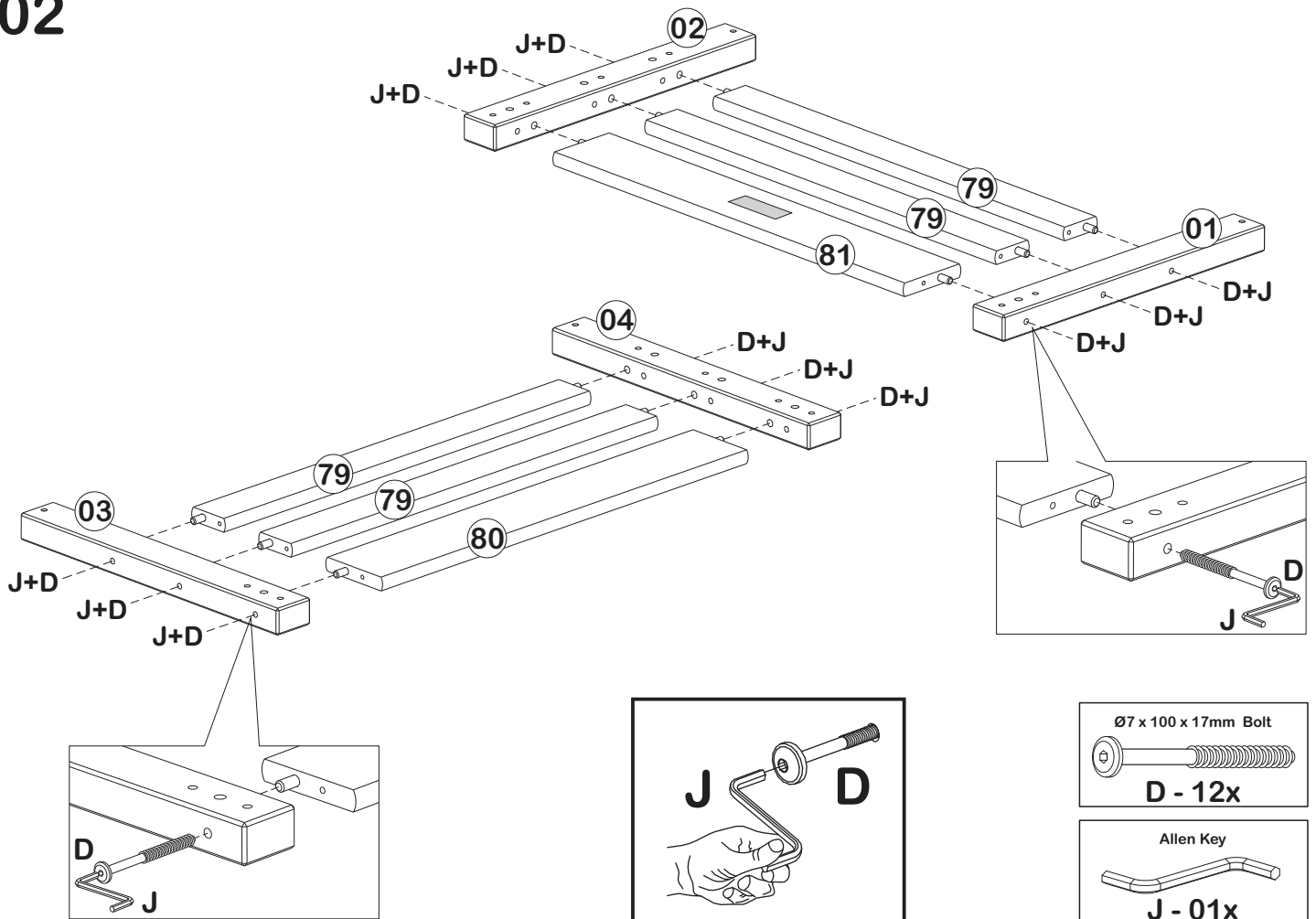
Ruler - Use this ruler to help correctly identify the screws



# 01

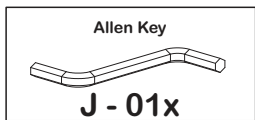
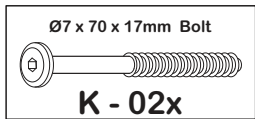
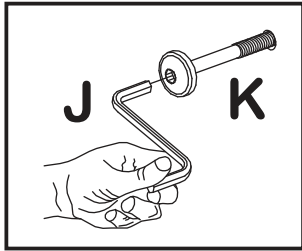
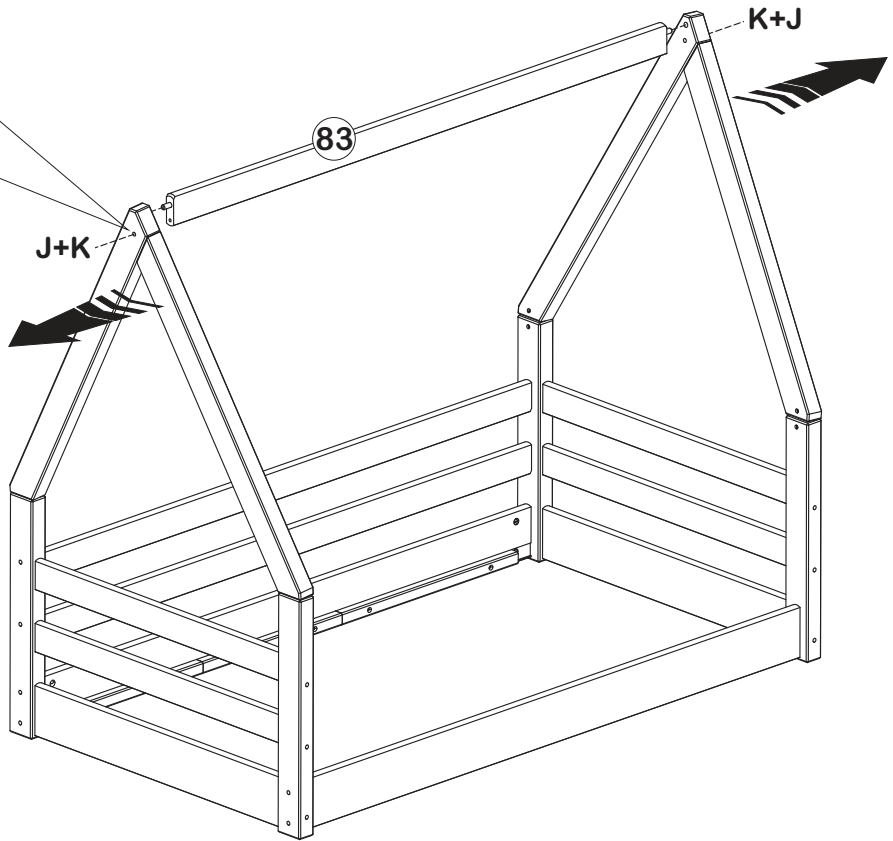
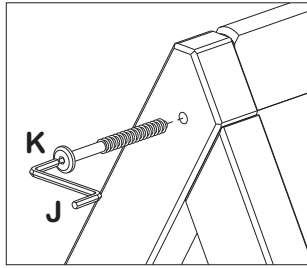


# 02

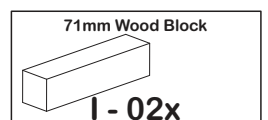
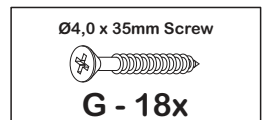
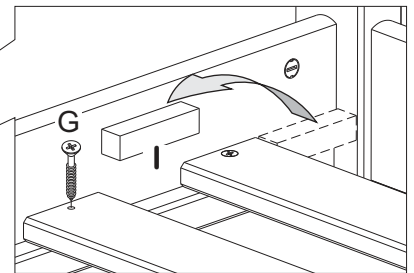
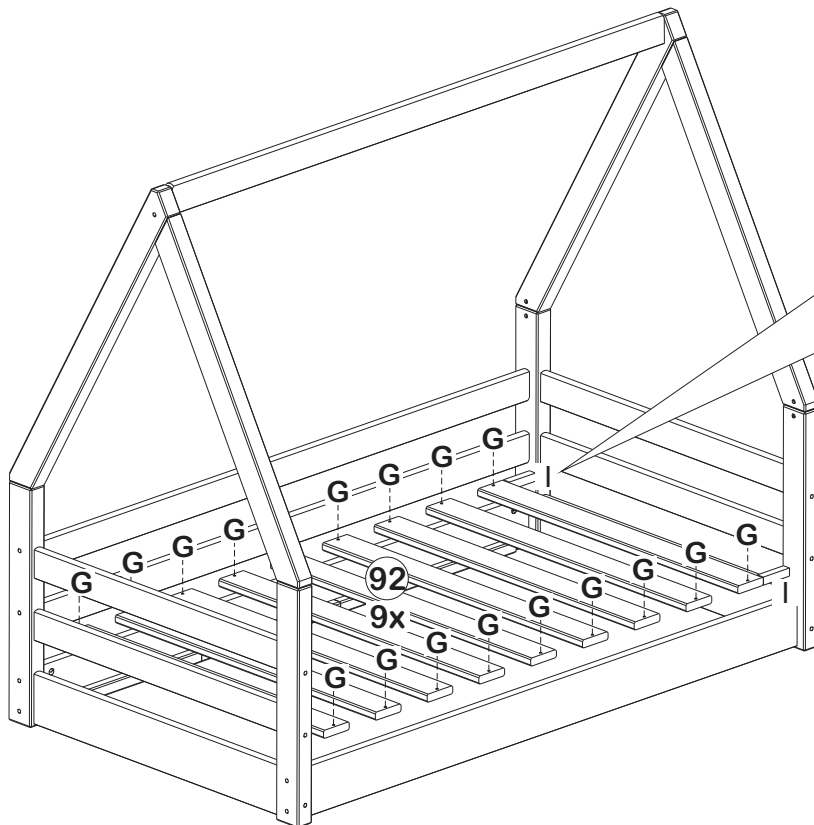




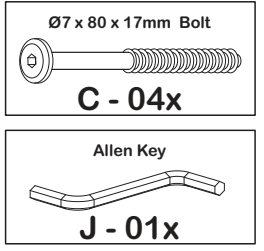
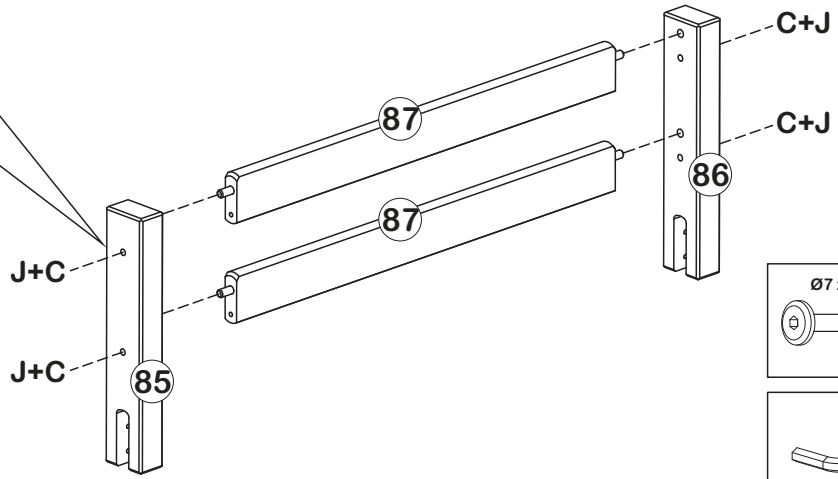
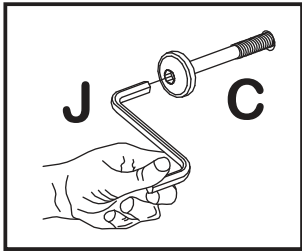
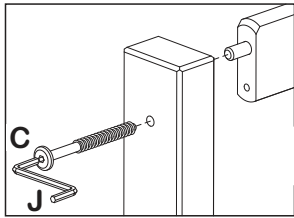
# 05



# 06



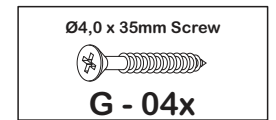
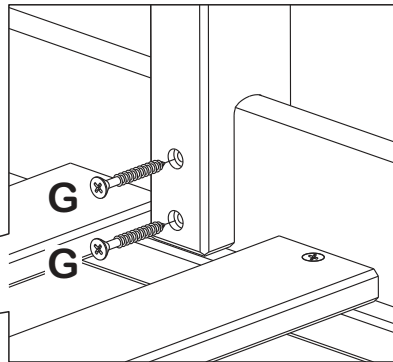
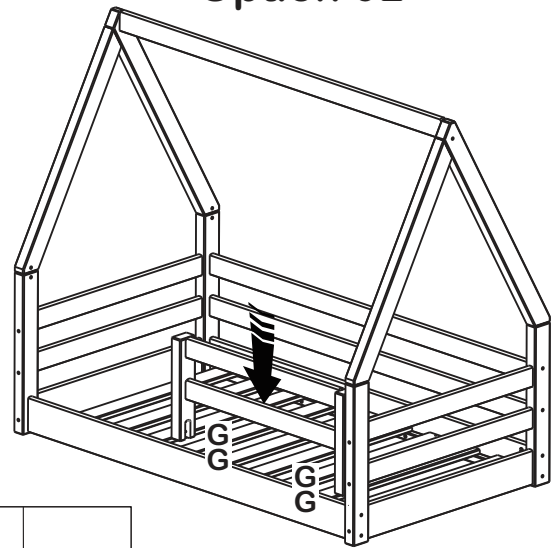
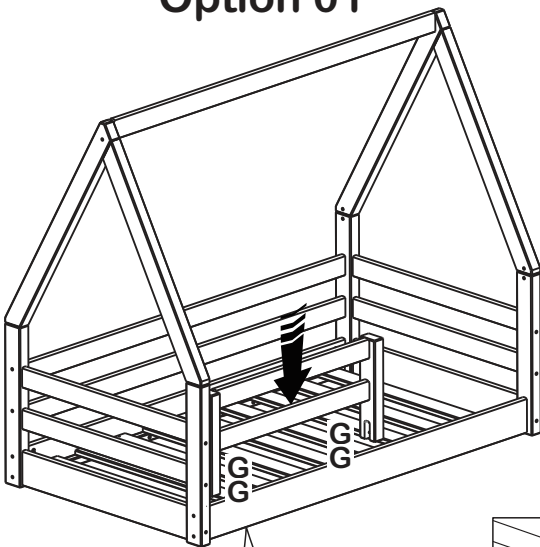
07



08

Option 01

Option 02



09

