

# Audo



## BRASILIA LOUNGE CHAIR Designed by *Anderssen & Voll*

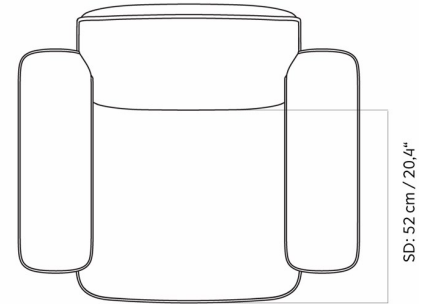
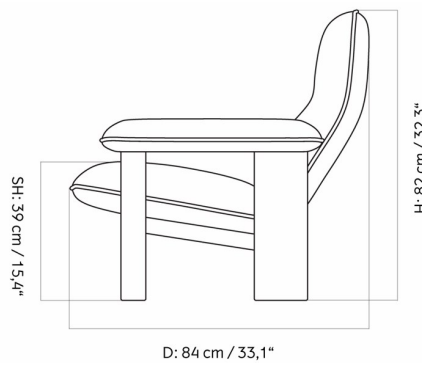
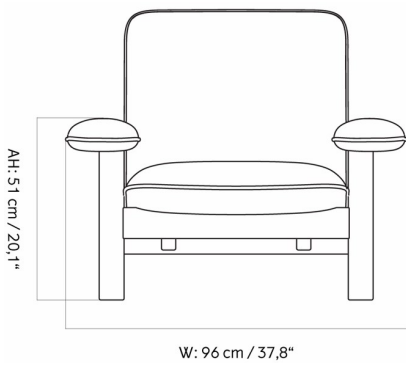
---

**DESCRIPTION** Also available in low back, the Brasilia Lounge Chair comes in a range of textile and sheepskin upholstery as well as leather, paired with legs in natural oak, walnut, or dark stained oak.

---

|                                    |  |                                   |   |
|------------------------------------|--|-----------------------------------|---|
| <b>SKU</b>                         | 71020-005373   | <b>COUNTRY OF ORIGIN</b>          | Mexico  |
| <b>EAN</b>                         | 5709262125524  | <b>MATERIALS</b>                  | Steel, Plywood, Upholstery, Solid Oak, Cold Cured Foam            |
| <b>BASE MATERIAL</b>               | Oak, Solid, Dark Stained   | <b>TESTS &amp; CERTIFICATIONS</b> | EN16139:2013, L2  |
| <b>BASE TYPE</b>                   | 4-Legs Base  | <b>CO2e</b>                       | For any inquiries, please contact your local Sales representative |
| <b>EDITION</b>                     | High Back  | <b>WARRANTY</b>                   | 5 years ( <a href="#">Download</a> )                              |
| <b>FOAM TYPE</b>                   | Global / US - CAL117   | <b>CARE INSTRUCTIONS</b>          | <a href="#">Base Material</a><br><a href="#">Upholstery</a>       |
| <b>PRICE CATEGORY</b>              | PC3L   |                                   |   |
| <b>UPHOLSTERY</b>                  | SHEEPSKIN NEVOTEX  |                                   |   |
| <b>UPHOLSTERY COLOUR</b>           | Root   |                                   |   |
| <b>UPHOLSTERY TYPE</b>             | Fully Upholstered  |                                   |   |
| <b>DESIGNER</b>                    | Anderssen & Voll   |                                   |   |
| <b>PRODUCT TYPE</b>                | Lounge Chair   |                                   |   |
| <b>ENVIRONMENT</b>                 | Indoor   |                                   |   |
| <b>TEXTILE LEATHER CONSUMPTION</b> | Textile Consumption: 2.679 yds<br>Leather Consumption: 74.2710 ft <sup>2</sup> |                                   |   |

# Audo



## BRASILIA LOUNGE CHAIR Designed by *Anderssen & Voll*

### TECHNICAL SPECIFICATIONS

#### DIMENSIONS

Arm Height: 20.08 "  
Seat Height: 15.35 "  
Seat Depth: 20.47 "  
Product Height: 32.28 "  
Product Width: 37.80 "  
Product Depth: 33.07 "

#### NET WEIGHT

55.116 Lb

#### GROSS WEIGHT

67.902 Lb

#### PACKAGING TYPE

Brown Box

#### PACKAGING MEASUREMENTS

H x W x D  
34.25 " x 35.43 " x 40.94 "

#### PRODUCTION PROCESS

The base is constructed of shaped and joined wood parts. The seat and back is made by moulded foam around a steel frame. The final process is to upholster according to a chosen material.