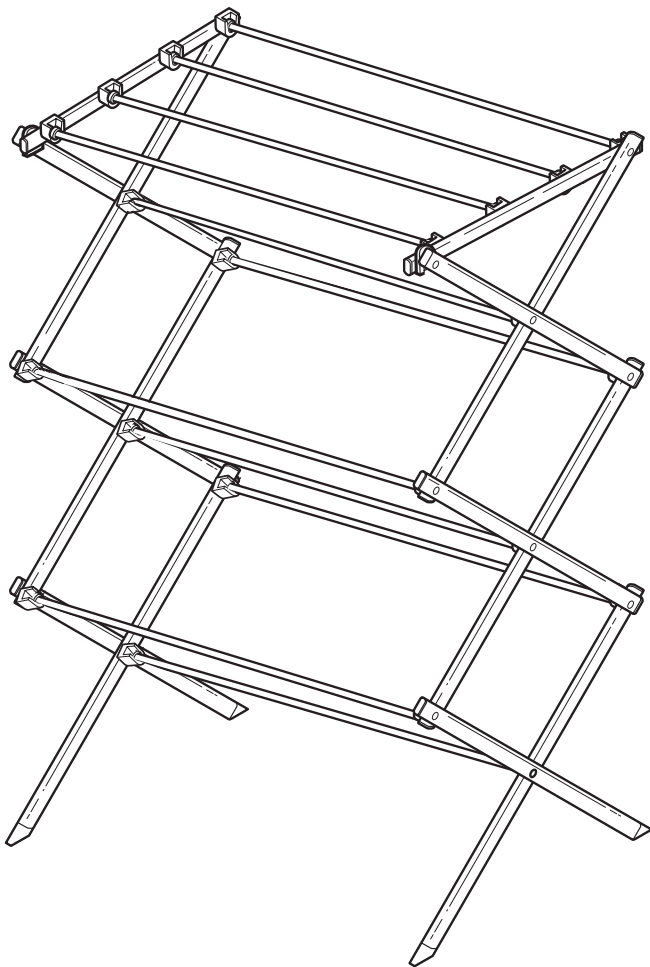


collapsible
drying rack™



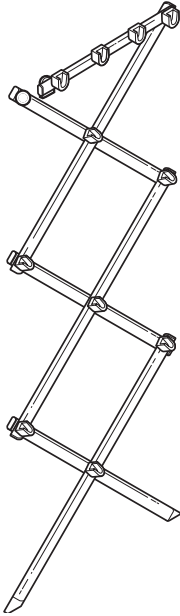
DRY-01306-DRY-09065-DRY-09138: 29" L x 14.2" W x 42.1" H

DRY-02119-DRY-09066: 35.5" L x 14.5" W x 45.5" H

PARTS LIST

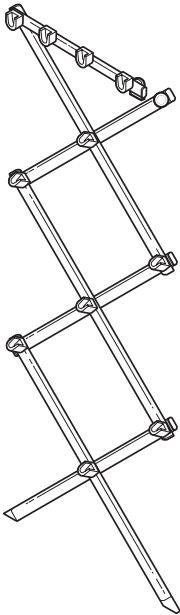
PART/ILLUSTRATION	(QTY)	DESCRIPTION
-------------------	-------	-------------

A



(1) left side support

B



(1) right side support

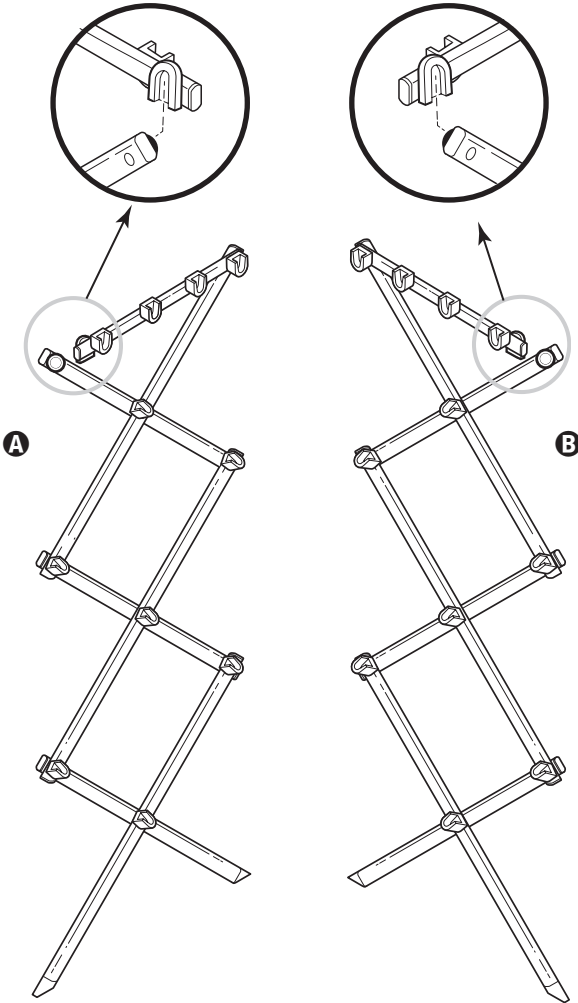
C



(11) dryer bars

ASSEMBLY

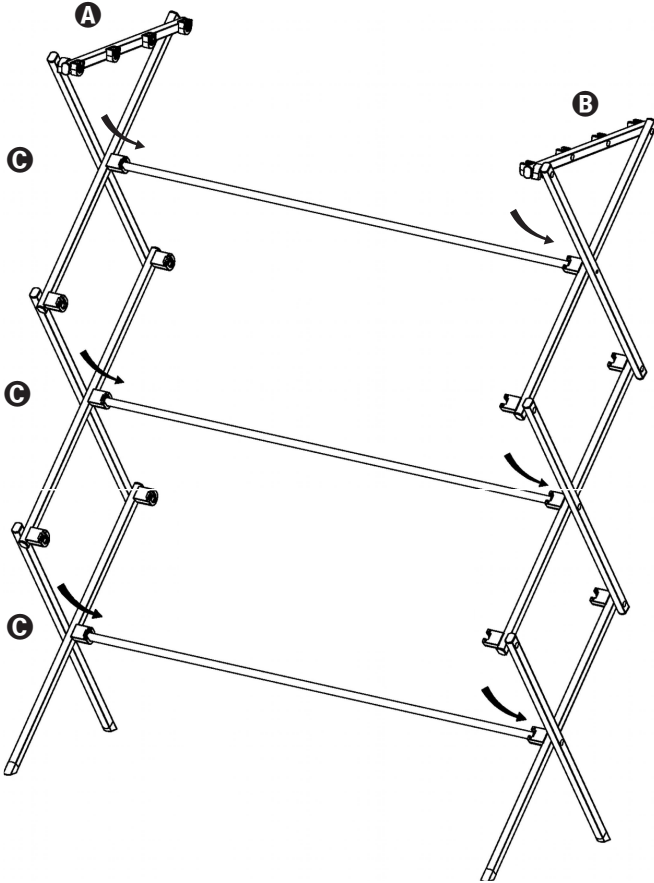
1



1. Open each frame side support fully, press each top horizontal bar end into connector to secure as shown.

ASSEMBLY

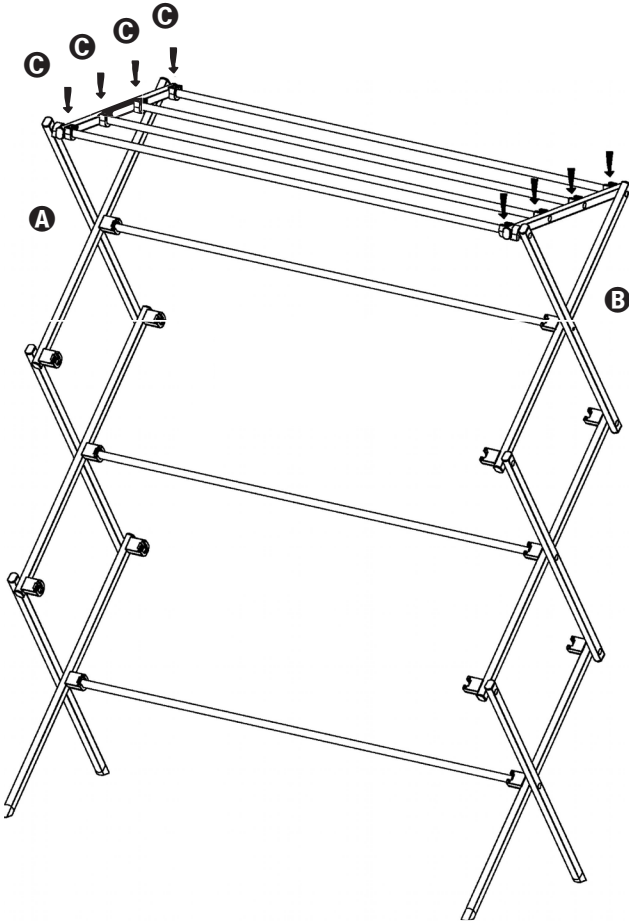
2



2. Starting on the second row as shown, insert one end of the dryer bar (C) into the U-shaped channel on the left side support (A).
3. Align and insert the opposite end of dryer bar into right side support (B).
4. Repeat with middle (C) and bottom (C) bars, inserting left and right side of each bar at the same time.

ASSEMBLY

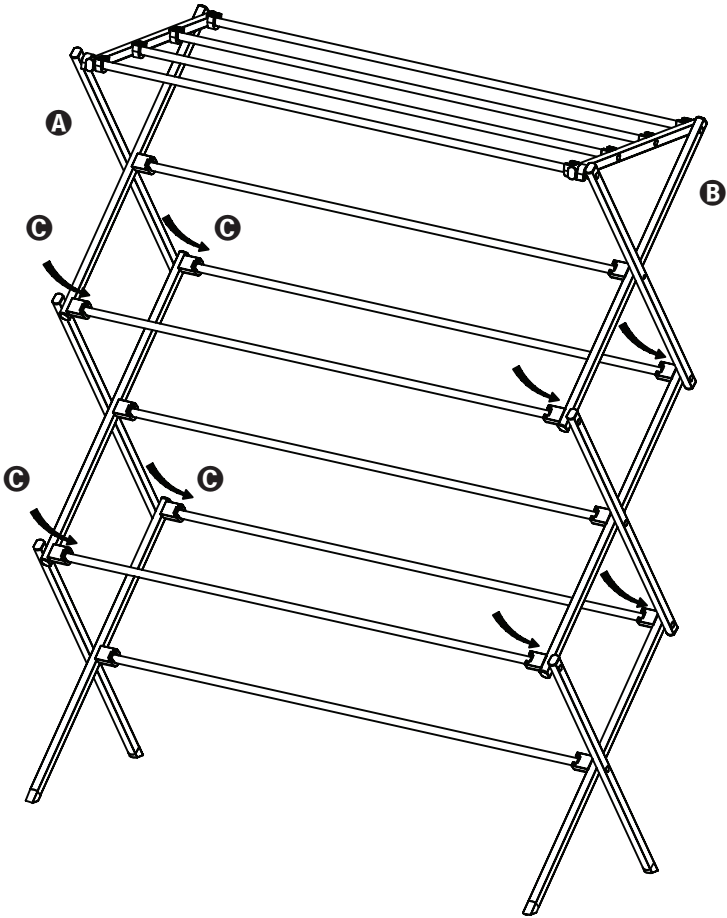
3



5. Insert the top 4 bars (C) one-by-one, inserting both ends of each bar at the same time.

ASSEMBLY

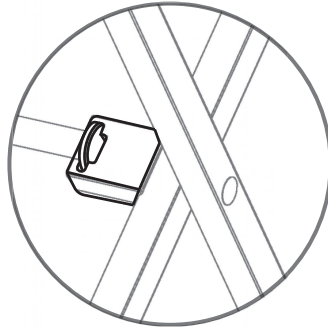
4



6. Add remaining bars one-by-one, insert both ends at the same time.

ASSEMBLY

5 Check fit:



* Please make sure all ends have been inserted into U-shaped channels by gently pushing each one.

To move drying rack, please carry each side as shown (A), do not carry from bars.

A.

