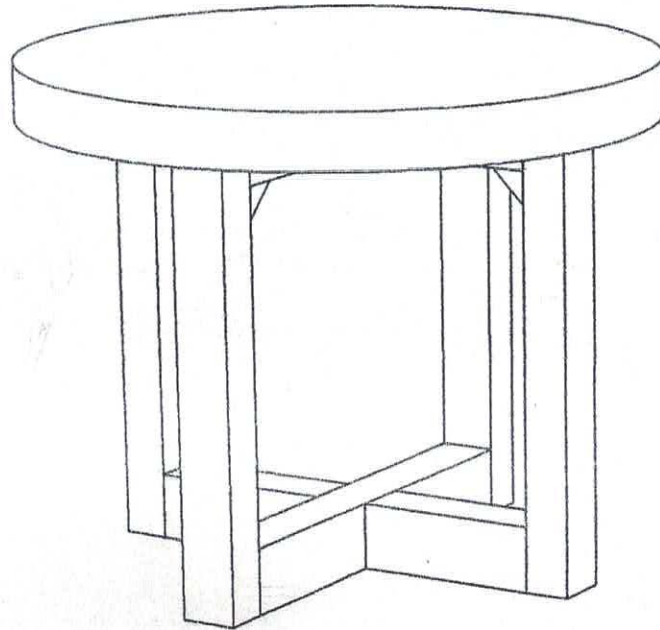
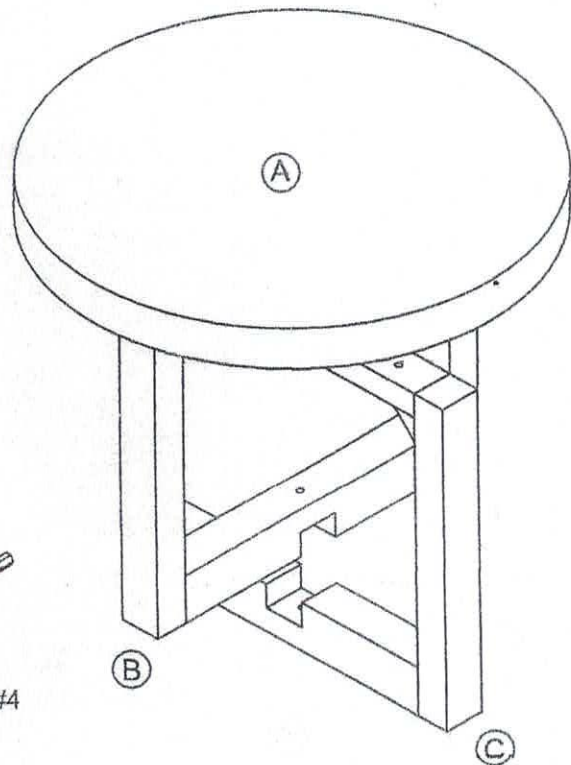


Assembly Instructions

Round End Table



ITEM	DESCRIPTION	QUANTITY
A	top	1
B	upper leg	1
C	lower leg	1



hardware



H1 x 9
bolts M6 x 45 mm



H2 x 9
spring washer



H3 x 9
flat washers

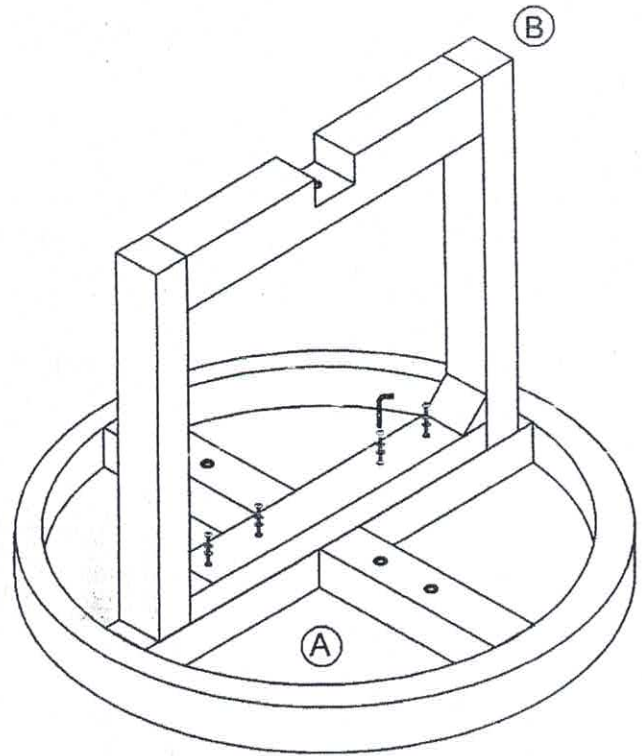
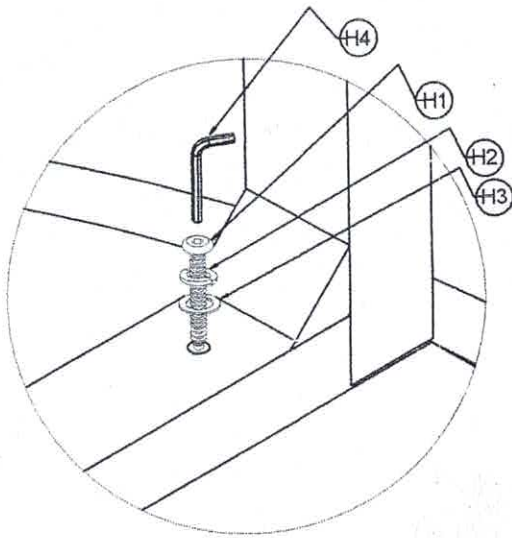


H4 x 1
hex key #4

(B)

(C)

step 1



step 2

