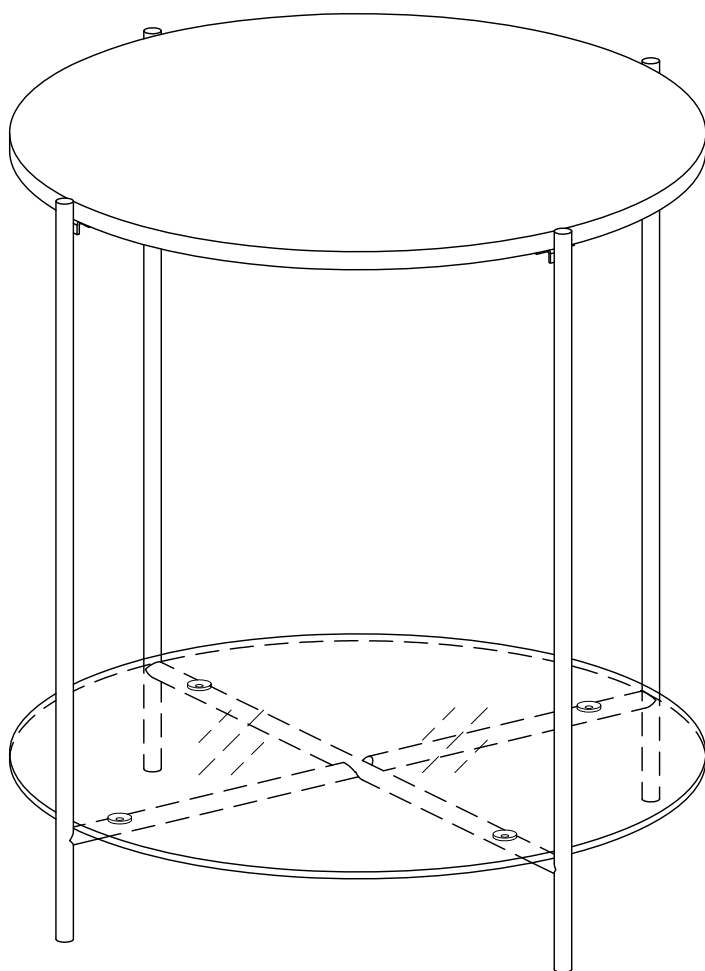


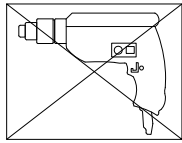
## Assembly Instructions



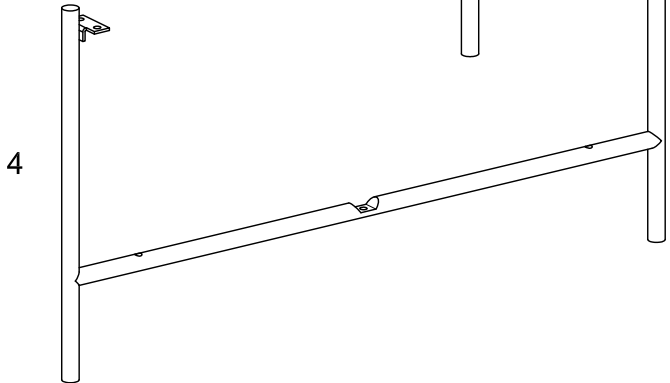
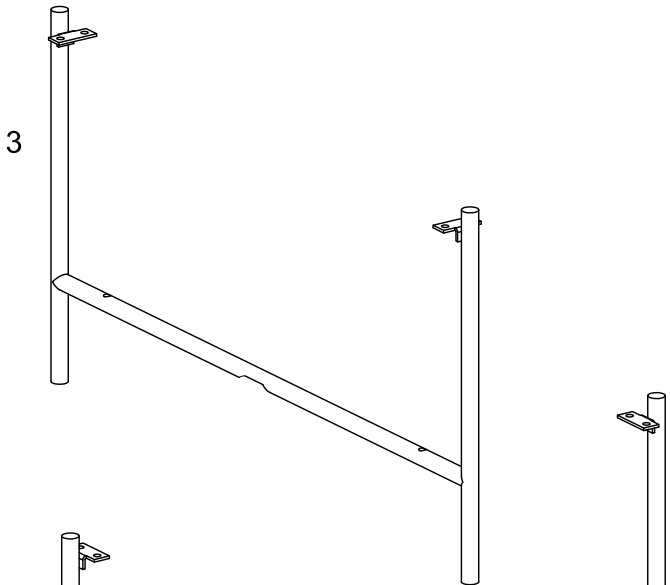
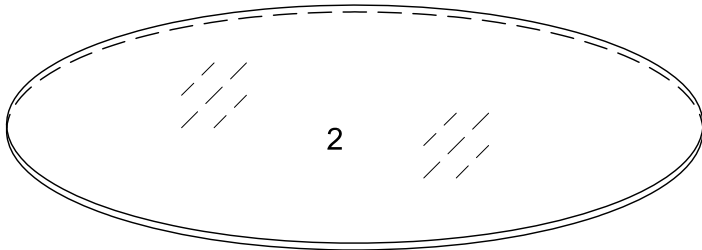
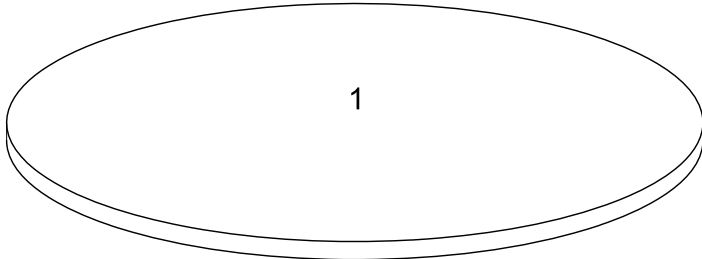
*Please visit our website for the most current instructions, assembly tips, report damage, or request parts.*

# General Assembly Guidelines

- I. Ensure that all parts and hardware are available before beginning assembly.
- II. Follow each step carefully to ensure the proper assembly of this product.
- III. Two people are recommended for ease in the assembly of this product.
- IV. The main type of hardware used to assemble this product is: bolts.
- V. Power tools should not be used to assemble this product .



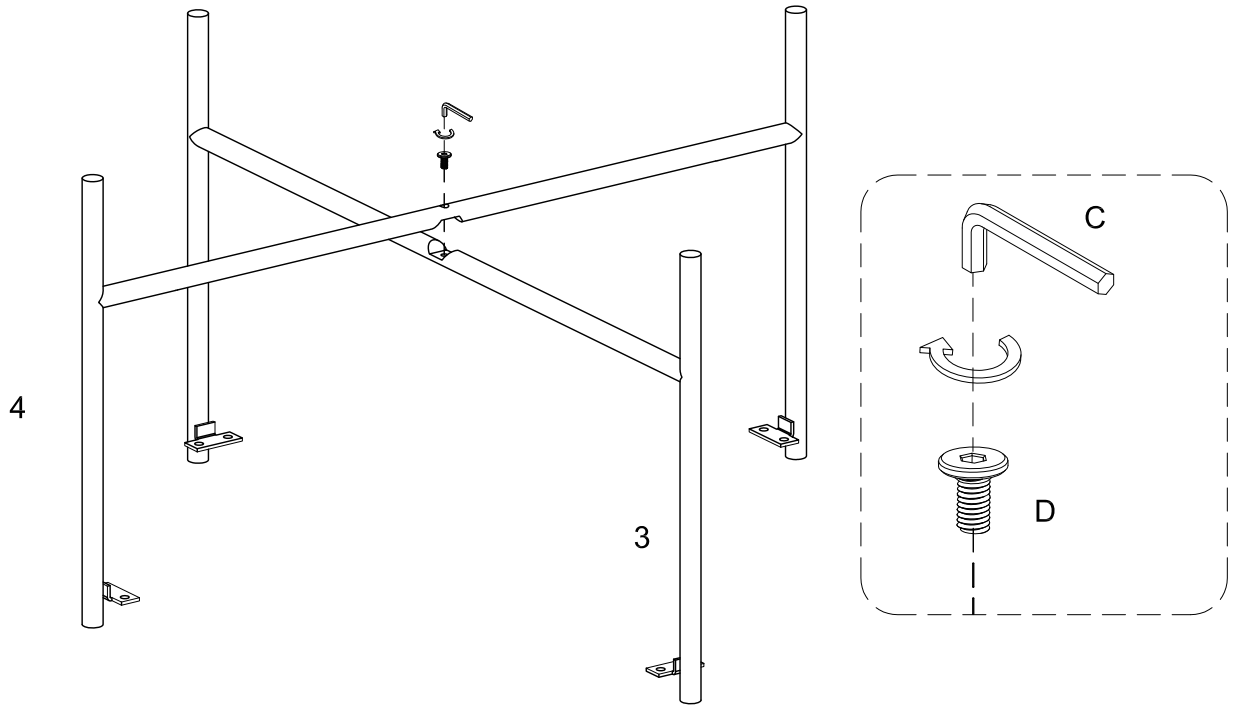
# Parts List



# Hardware List

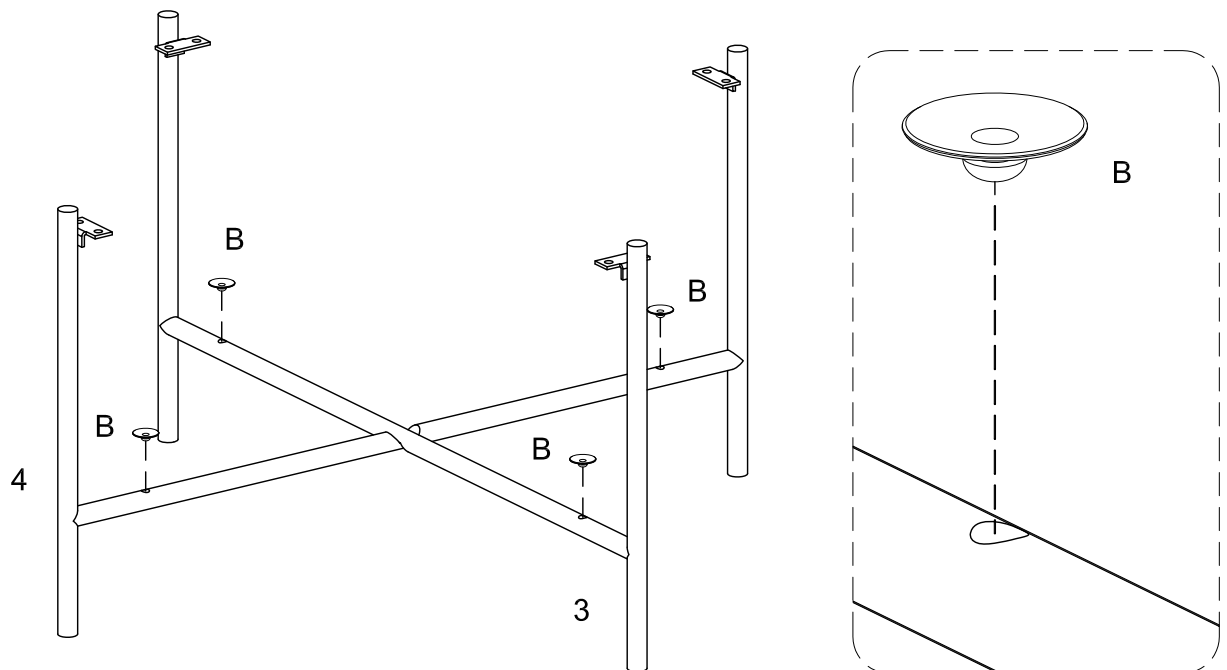
A		Ø6x15mm	Bolt	8 pcs
B			Rubber suction cups	4 pcs
C		M4	Hex Key	1 pc
D		Ø6x12mm	Bolt	1 pc

# Step 1



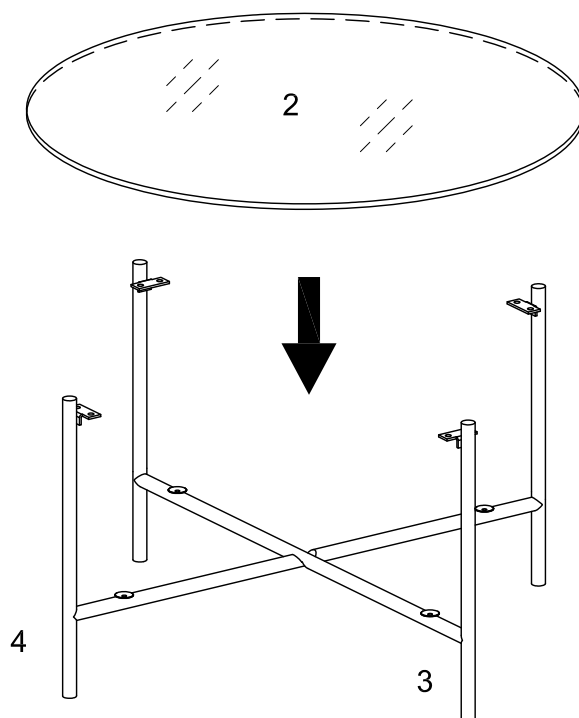
Attach part (4) to part (3) using bolt (D) with hex key (C).

# Step 2



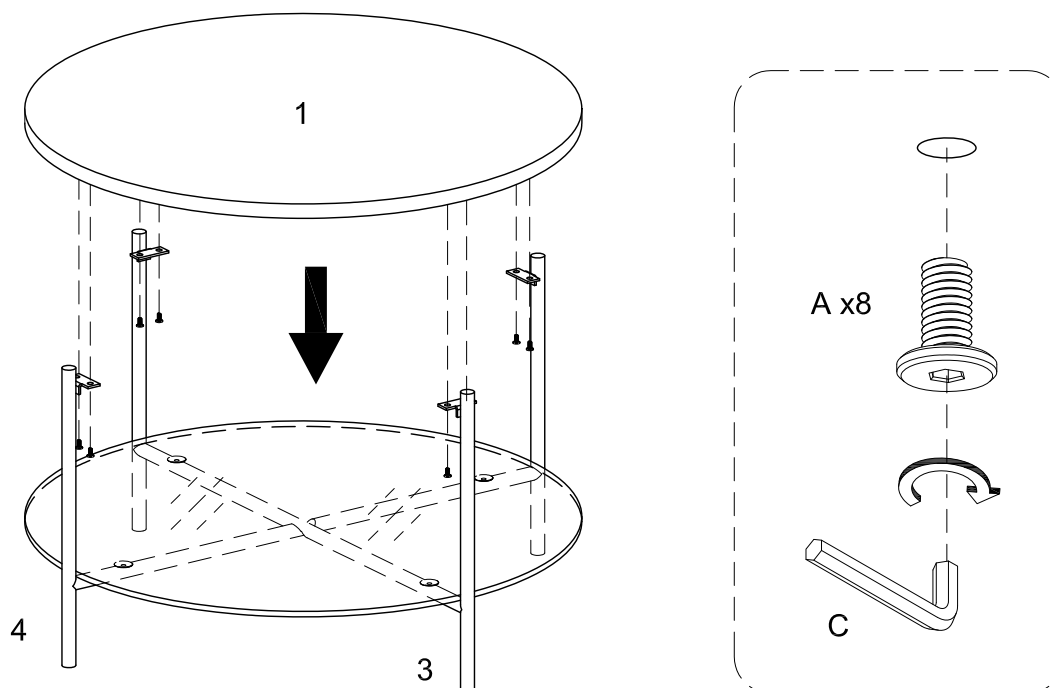
Insert rubber suction cup (B) into part (3,4).

## Step 3



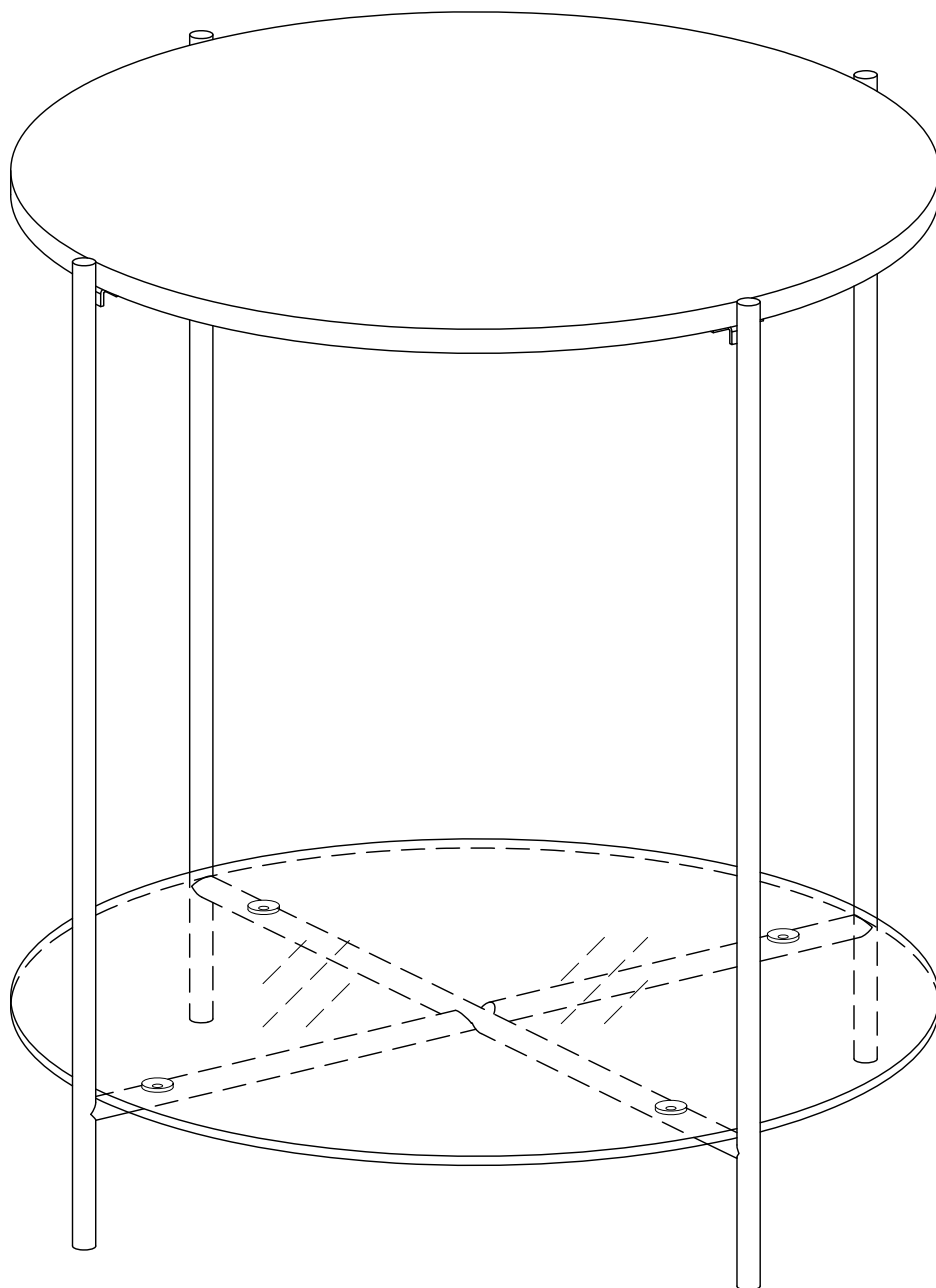
Place glass (2) on top of part (3,4) carefully.

## Step 4



Attach part (3,4) to part (1) using bolt (A) with hex key (C).

# Step 5



Final Assembly