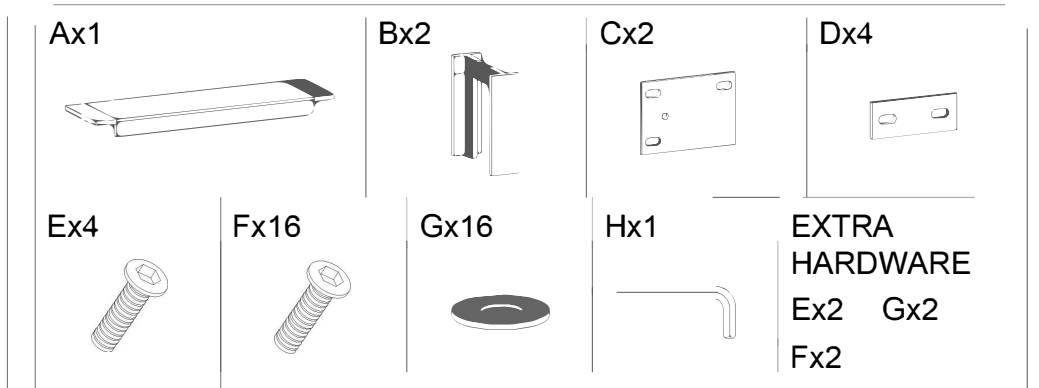


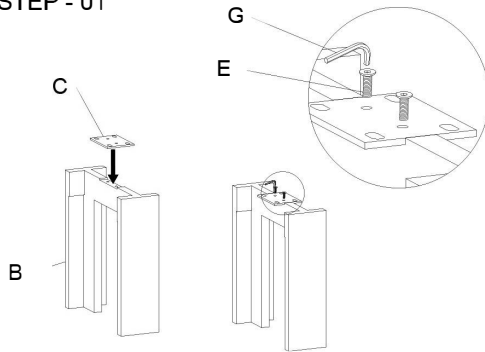
# ASSEMBLY INSTRUCTIONS



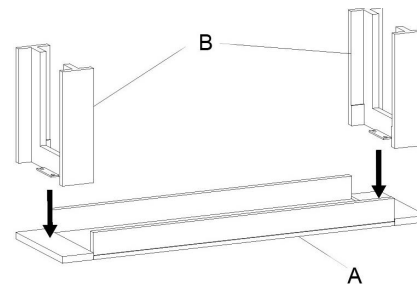
**Note**

- EN: 1. Please do not tight any bolt unless all bolts are fixed at their respective places.  
 2. After fixing the bolts tighten them simultaneously.  
 3. Matching Parts Bolt (example A to A)  
 4. Two person assembly required.

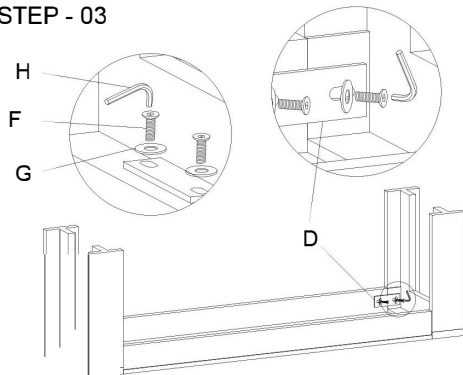
**STEP - 01**



**STEP - 02**



**STEP - 03**



**FINAL STEP**

