

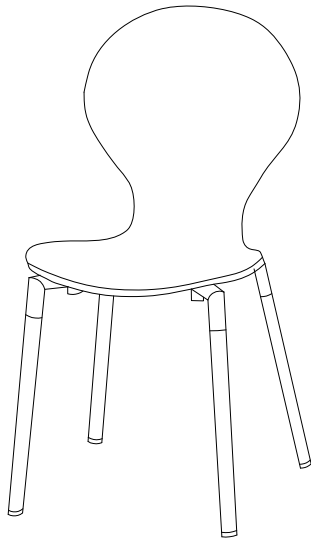
# CHAIR

---






Thank you for purchasing this **CHAIR!**

Before you start, here is some helpful advice:

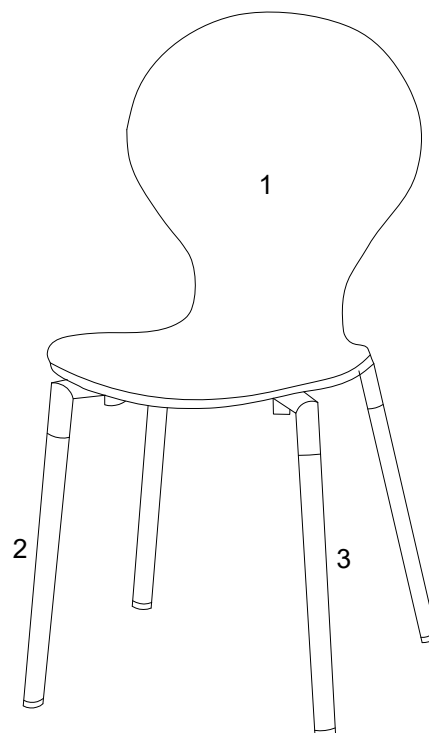
1. We suggest you spend a short time reading through this leaflet and then follow the simple step by step instructions.
2. Owing to the size and weight of the dining chair, we recommend that it is assembled by two adults, on a carpeted or padded area, in the room that it is intended for. Approximate assembly time: 15 minutes.
3. Please do not use any tools other than those provided or recommended in these instructions.
4. Please do not throw away any of the packaging or instructions until you have checked all the components and hardware and the furniture is fully assembled.
5. Assemble all components loosely until advised to tighten. Depending on use, it may be necessary to tighten the components from time to time, so please save the tools that have been provided.
6. Please keep all pieces out of reach of small children.



## Hardware:

A		Bolt M6x20mm	x 1
B		Bolt M6x45mm	x 4
C		Spring Washer M6	x 1
D		Plastic Washer	x 8
E		Allen Wrench M4	x 1

## Component:



1 Chair Body x1

2 Leg x1

3 Leg x1

# CHAIR

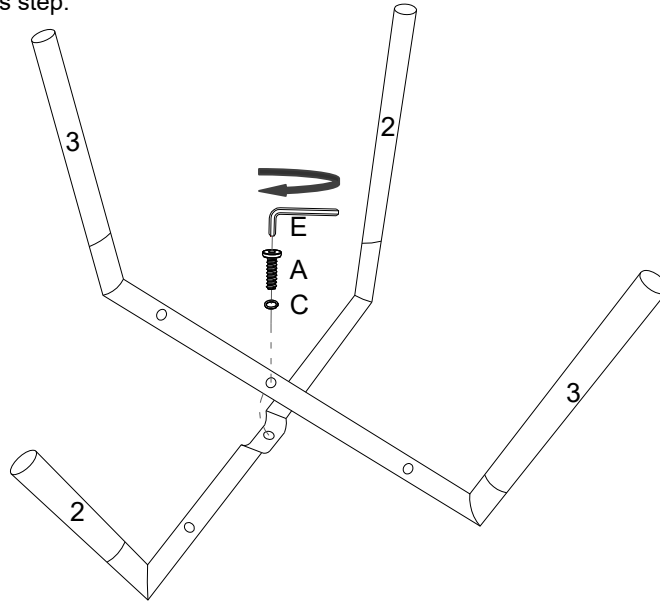
## STEP 1:




Please put **Legs (2&3)** upside down on a carpeted or padded area.

Attach **Leg (3)** to **Leg (2)** by using 1 pieces of **Bolt (A)** with 1 piece of **Spring Washer (C)**.

Use **Allen Wrench (E)** to tighten **Bolt (A)**.

Do not fully tighten **Bolts (A)** at this step.



		
Ax1	Cx1	Ex1

Hardware & Tool required

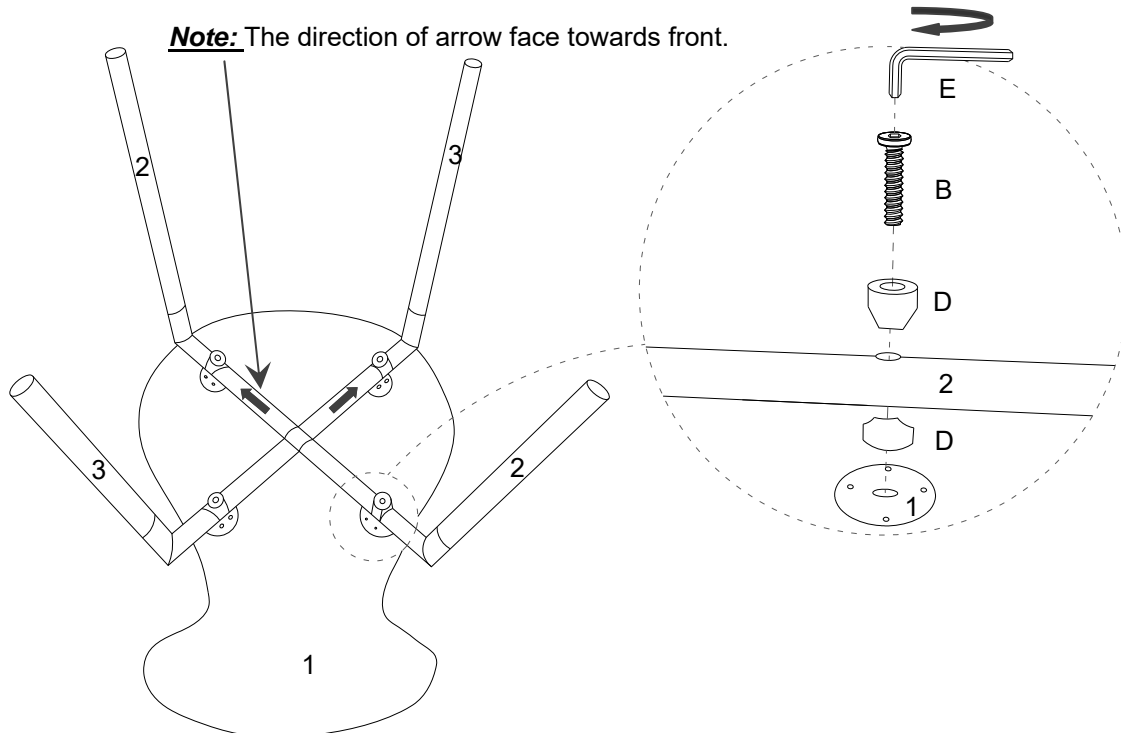
## STEP 2:




Please put **Chair Body (1)** upside down on a carpeted or padded area.

Insert 4 pieces of **Blot (B)** through the holes on 8 pieces of **Plastic washer (E)** and **Legs (2&3)** into the holes on bottom of **Chair Body (1)** as shown.

Use **Allen Wrench (E)** to tighten all **Bolt (A&B)** clockwise until secure.

**Note:** The direction of arrow face towards front.



		
Bx4	Dx8	Ex1

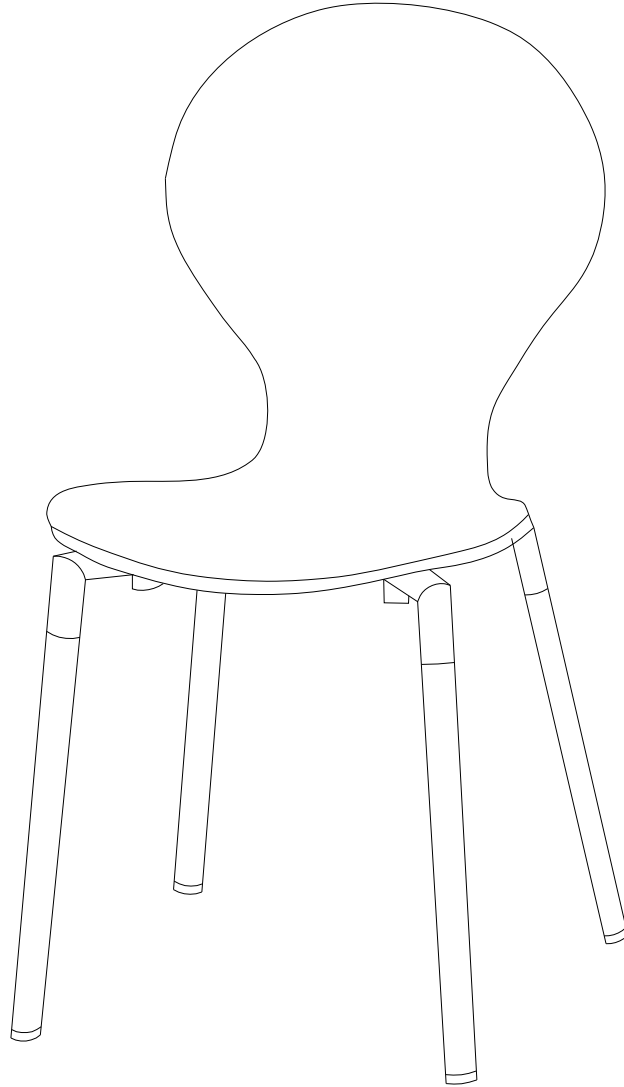
Hardware & Tool required

## CHAIR

---

### STEP 3:

Carefully turn over the assembled chair.



---

Assembly is completed. The chair is ready to use now!