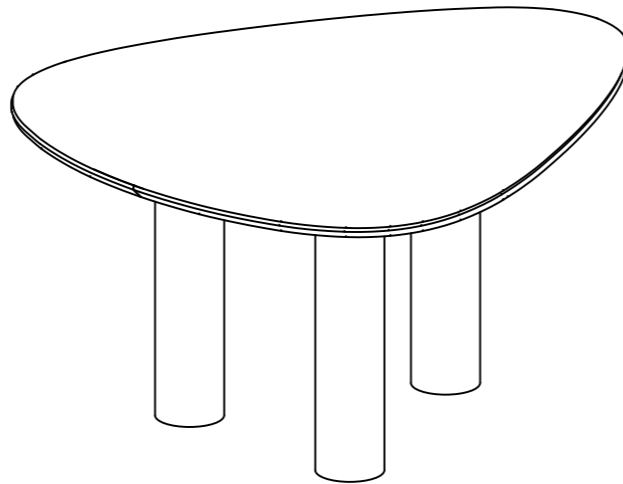






ASSEMBLY INSTRUCTIONS.

FINLEY DINING TABLE SMOKED



THANK YOU FOR YOUR PURCHASE!

PARTS AND HARDWARE.

NO.	DESCRIPTION	IMAGE	Q'TY
A	Table top		1
B	Base		3
C	Bolts (M6*15mm)		12
D	Allen key		1

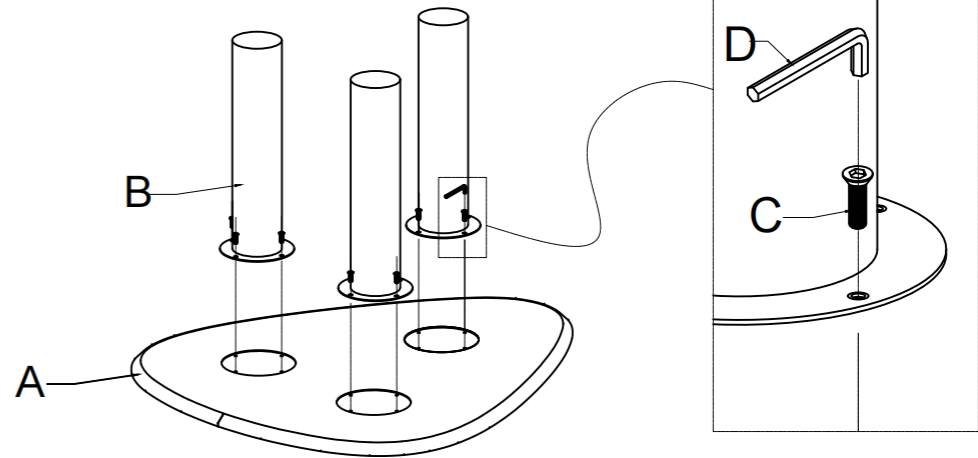
NOTES

Thank you for purchasing this quality product!
Be sure to check all packing material carefully for small part that may have come loose inside the carton during shipping.

Caution: The item is heavy, assembly should be performed by two people.

STEP 1.

Assembling Legs with bolts (C), and Allen key (D) tightly.



STEP 2.

Assembly finished.

Reminder: Need at least 2 adults to lift up the assembled table completely, and keep the table away from the floor, then turn over the table.

