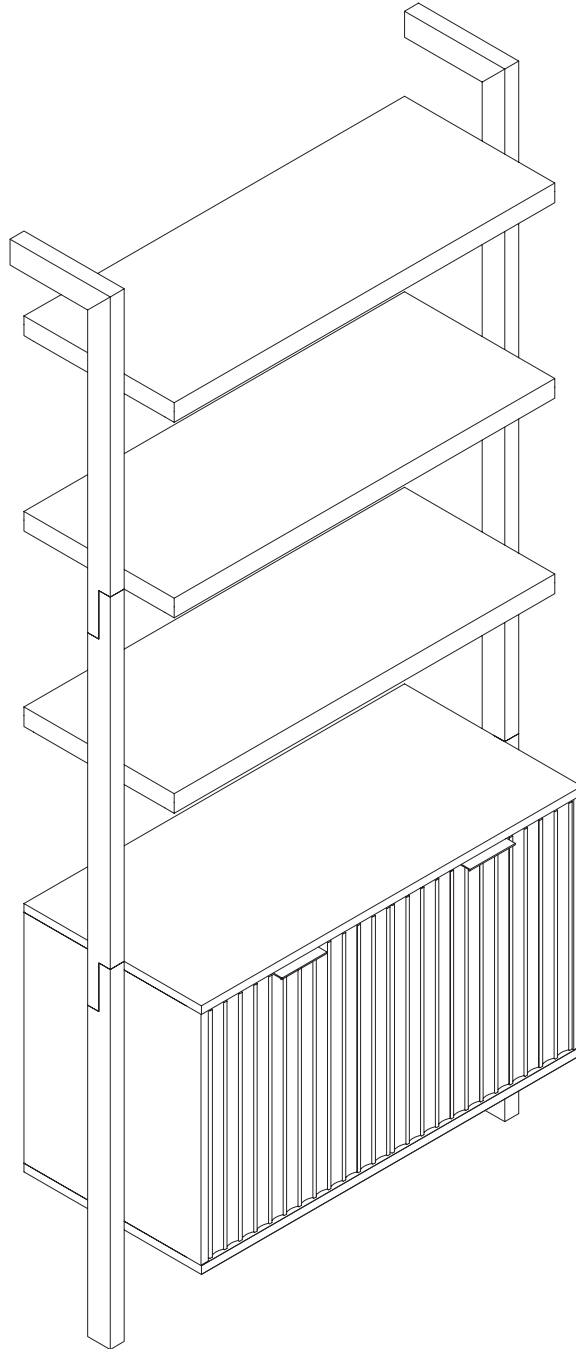


Let's build the

Jasper Bookshelf

SKU 67501



Scan me!

Free Lifetime
Warranty

nathan james

Ok, let's get rolling

This should be easy, just follow our instructions and you will be back to Netflix in no time.

Estimated time for assembly



80:00

What you need

- Some bubbly or your preferred relaxant
- Use the packaging carton as a working surface to prevent product damage during assembly
- Phillips head screwdriver
- Drill
- 1/4" Drill Bit

Weight Limitation



110

lbs max weight capacity

- Storage Cabinet Top Max. Capacity: 25lbs.
- Adjustable Shelf Max. Capacity: 20lbs.
- Bottom Cabinet Shelf Max. Capacity: 20lbs.
- Open Shelf Max. Capacity: 15lbs. per shelf (x3)

Toll-free at 1-866-619-1004
Help@nathanjames.com
Nathanjames.com/help

What's included

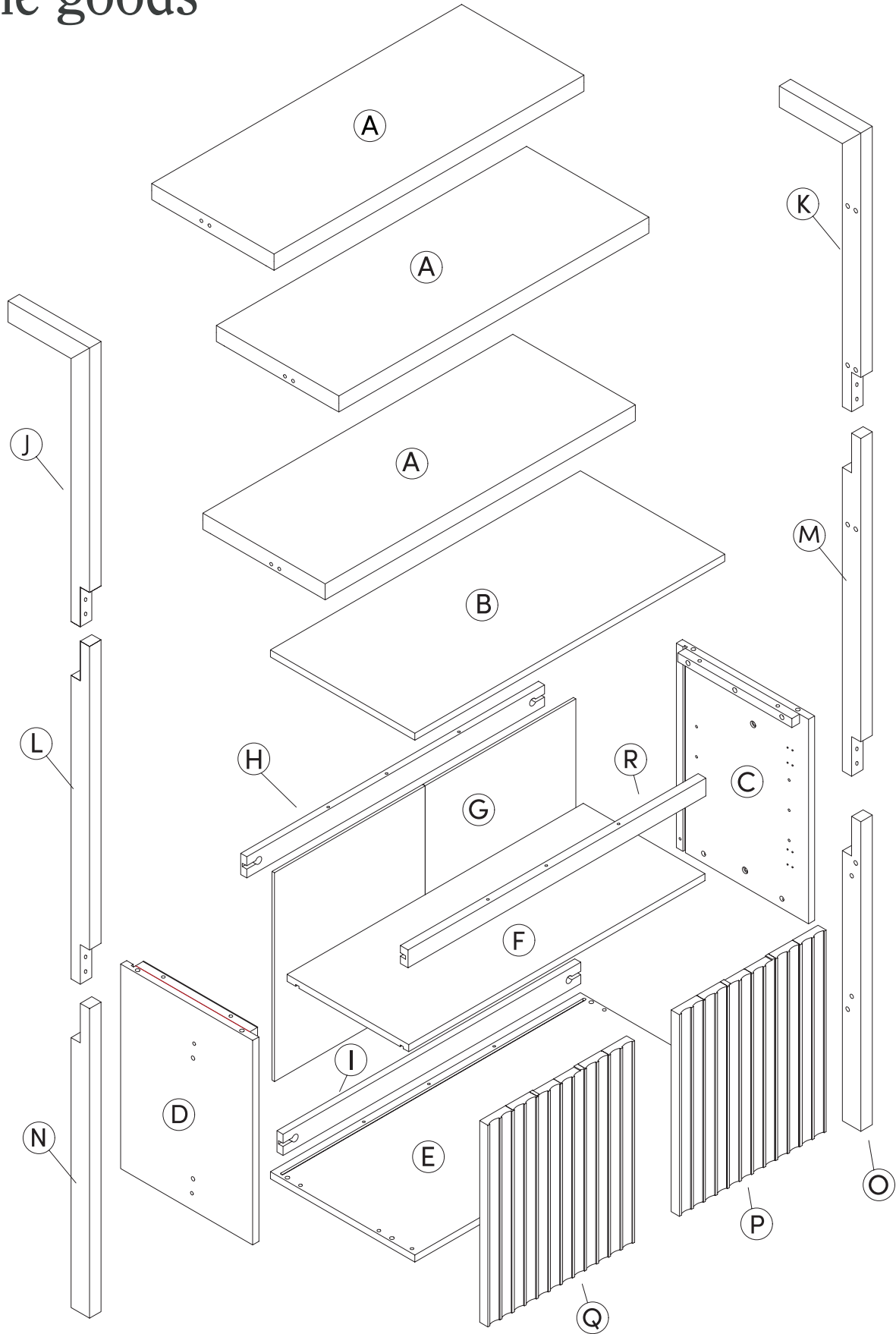
	Description	Qty
A	Top Open Shelf Panel	3
B	Cabinet Top Panel	1
C	Cabinet Right Side Panel	1
D	Cabinet Left Side Panel	1
E	Cabinet Bottom Panel	1
F	Adjustable Shelf	1
G	Back panel	1
H	Top Stretcher (Back)	1
I	Bottom Stretcher (Back)	1
J	Top Vertical Support (Left)	1
K	Top Vertical Support (Right)	1
L	Middle Vertical Support (Left)	1
M	Middle Vertical Support (Right)	1
N	Bottom Vertical Support (Left)	1
O	Bottom Vertical Support (Right)	1
P	Left Door	1
Q	Right Door	1
R	Top Stretcher (Front)	1

Scan me!

Free Lifetime
Warranty

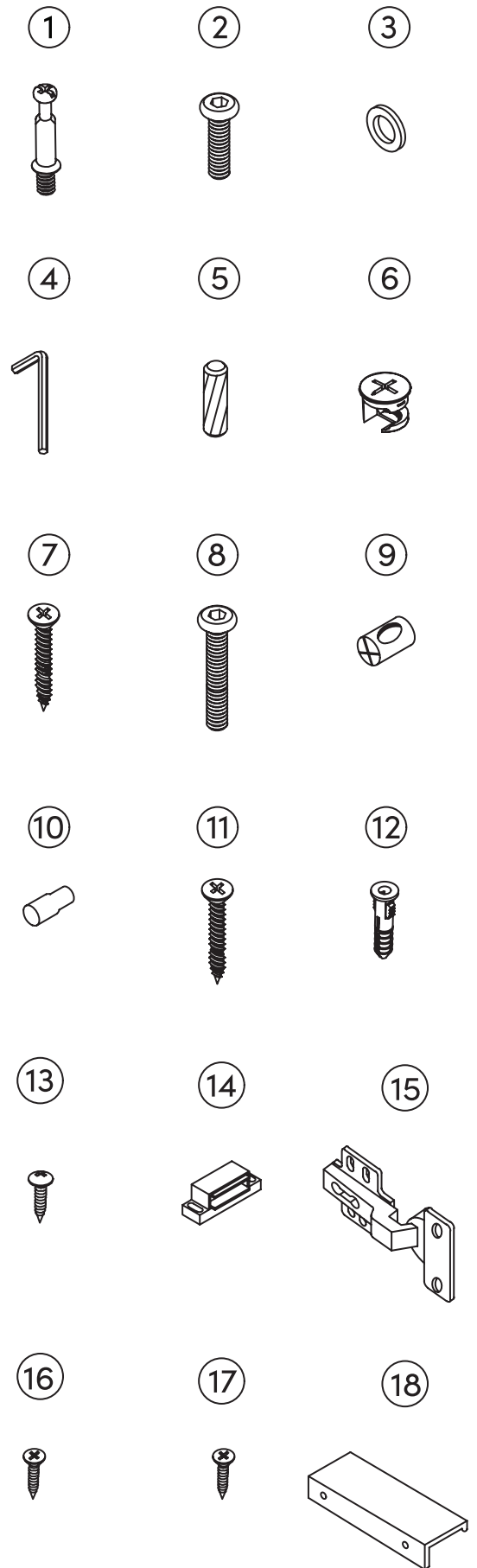


The goods



What's included

	Description	Qty
1	M6*35mm Cam Bolt	6
2	1/4"*32mm Hex Button Head Bolt	28
3	Flat Washer	32
4	Allen key	1
5	M8*30mm Wooden Dowel	12
6	15*10mm Cam Lock	6
7	M4*35mm Screw	9
8	1/4"*55mm Hex Button Head Bolt	4
9	Barrel Nuts	4
10	Shelf Pin	4
11	M4*50mm Screw	3
12	Wall Anchor	3
13	M3*15mm Screw	4
14	Magnetic catch	2
15	Hinge	4
16	M4*14mm Screw	24
17	M4*14mm Screw	4
18	Handle	2



Step 1

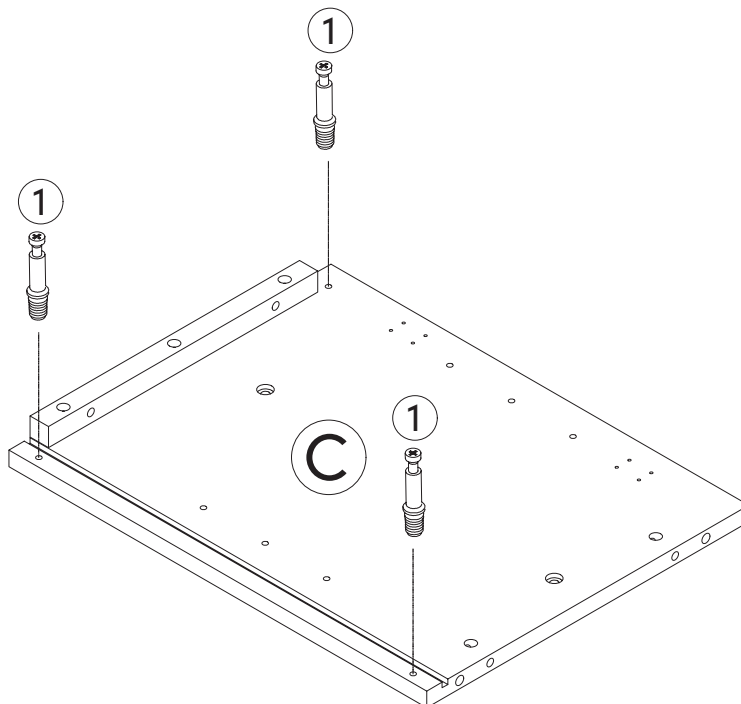
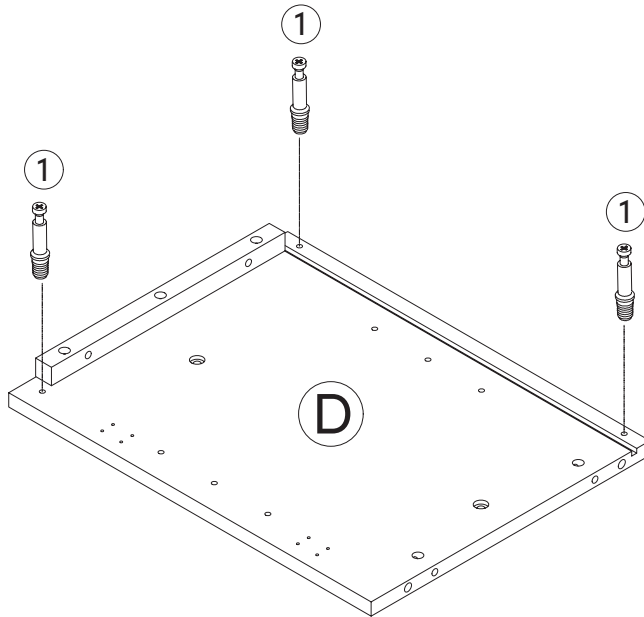
Excited to build your new bookshelf? Let's get started! Pick up the Right Side Panel (C) and Left Side Panel (D) and insert the M6*35mm Cam Bolts (1) into the designated holes as shown below.



1



x6



Step 2

Now, connect the Right (C) and Left (D) Side Panels to the Top Panel (B). Use the 1/4"×32mm Hex Button Head Bolts (2), Flat Washers (3), M8×30mm Wooden Dowels (5), and the Allen Key (4) for this. Tighten them to about 75% - we'll fully secure these later.



2



x4

3

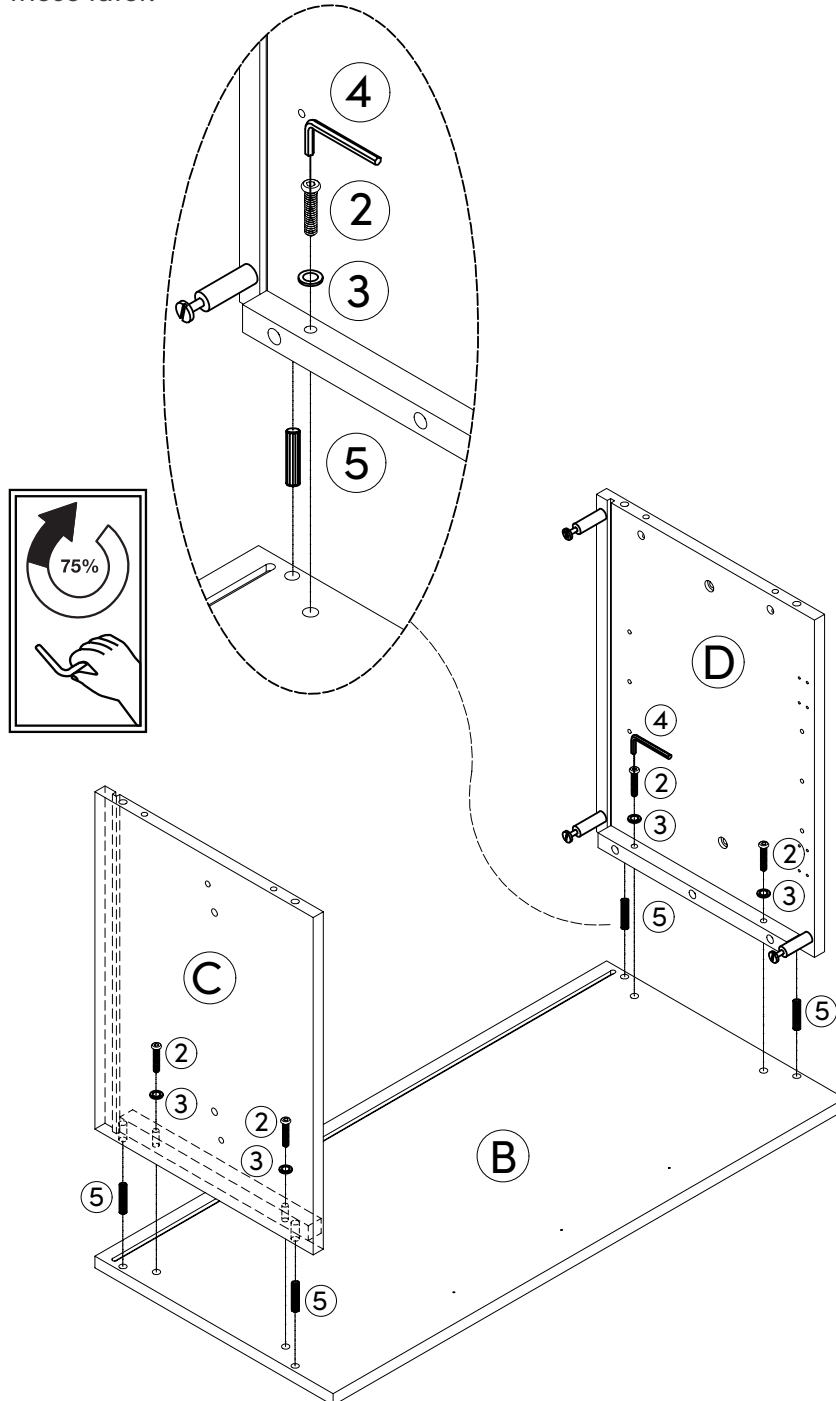


x4

5



x4

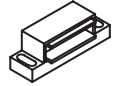


Step 3

Find the Top Stretcher (Front) (R) and attach the Magnetic Catch (14) using the M3*15mm Screws (13) x4 and your screwdriver.

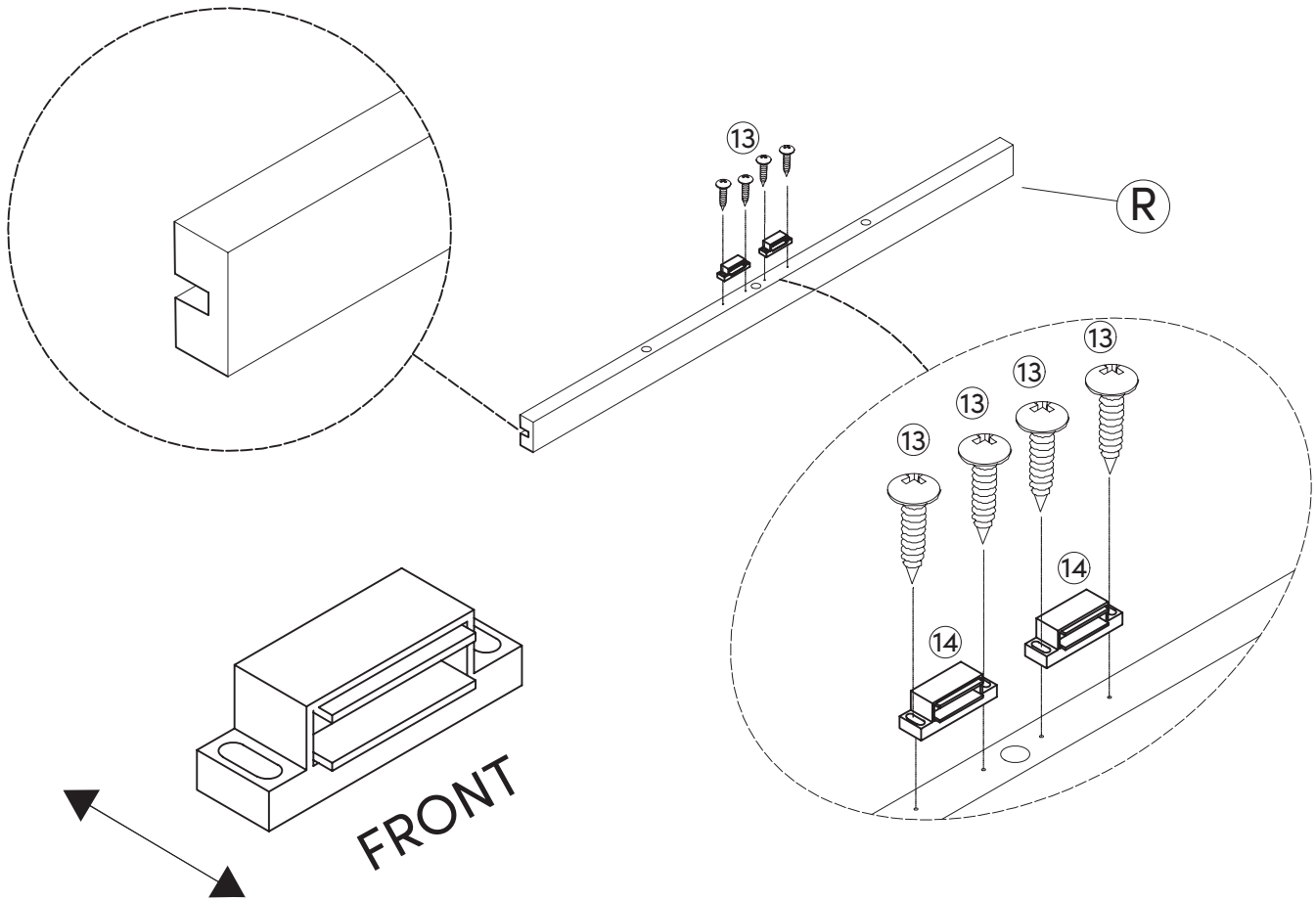
13

14



x4

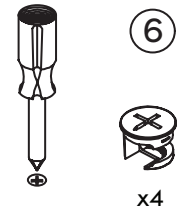
x2



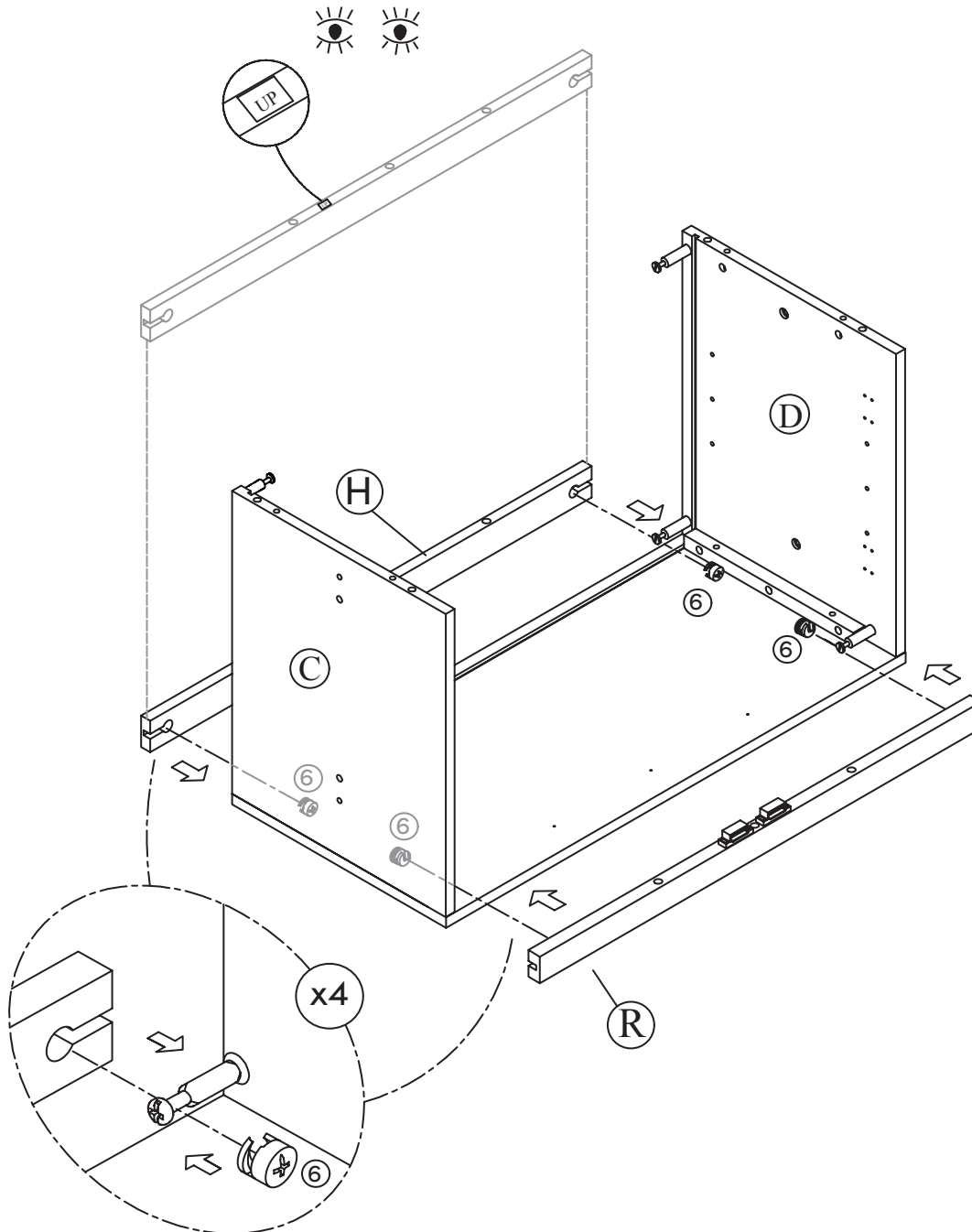
Tip! Door Catcher can be adjusted from front to back for proper door alignment.

Step 4

Take the Top Stretcher (Back) (H) and ensure the "UP" text faces towards you, not the ground. Then, slide in both the Back (H) and Front (R) Top Stretchers. Secure them with the 15*10mm Cam Locks (6) using your screwdriver.



See the following page for a quick guide on how to use cam locks!



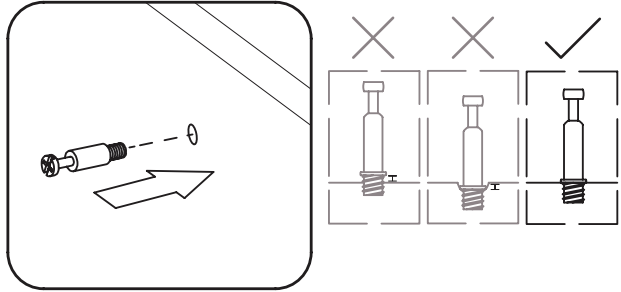
How to use

Did you know?

Cam locks are used to join two panels together, usually the edge of one to the flat side of another.

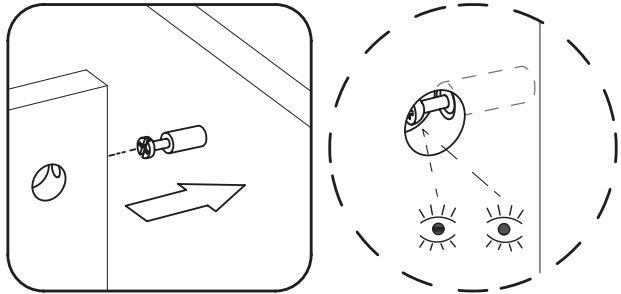
First, your cam bolt (or cam pin) will need to be properly inserted into the flat side of the board.

Important Note: Only tighten the cam bolt until it is secure. Do not over-tighten.



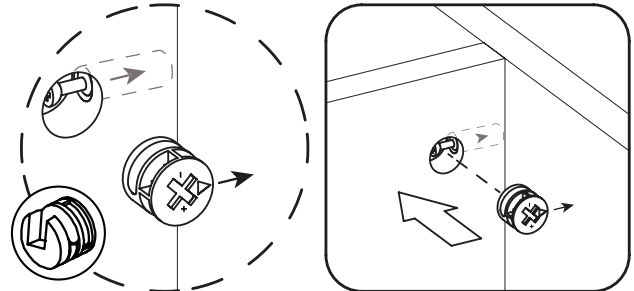
Next, you will fit the proper hole on the edge of the associated joining panel over the cam bolt.

Important Note: When installed properly, the head of the cam bolt will be visible through the larger hole on the side of the joining panel.



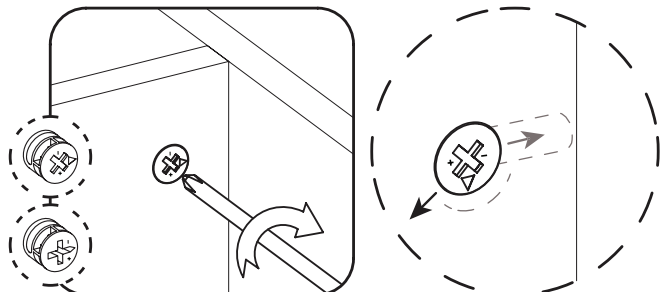
Next, you will notice the cam lock has a “C” shaped back. Commonly, an arrow on the front of the cam lock points in the same direction as the open section on back.

Using these as your cue, insert the cam lock into the large hole so the opening of the “C” fits over the head of the cam bolt.



Using a screwdriver, you will turn the cam lock until it stops, usually between 130° or 180°. You will feel the panels pulling closer until they are secured.

Important Note: Only turn the cam lock until the panels are fully engaged & feel secure. Turning too far may lead to hardware failure.



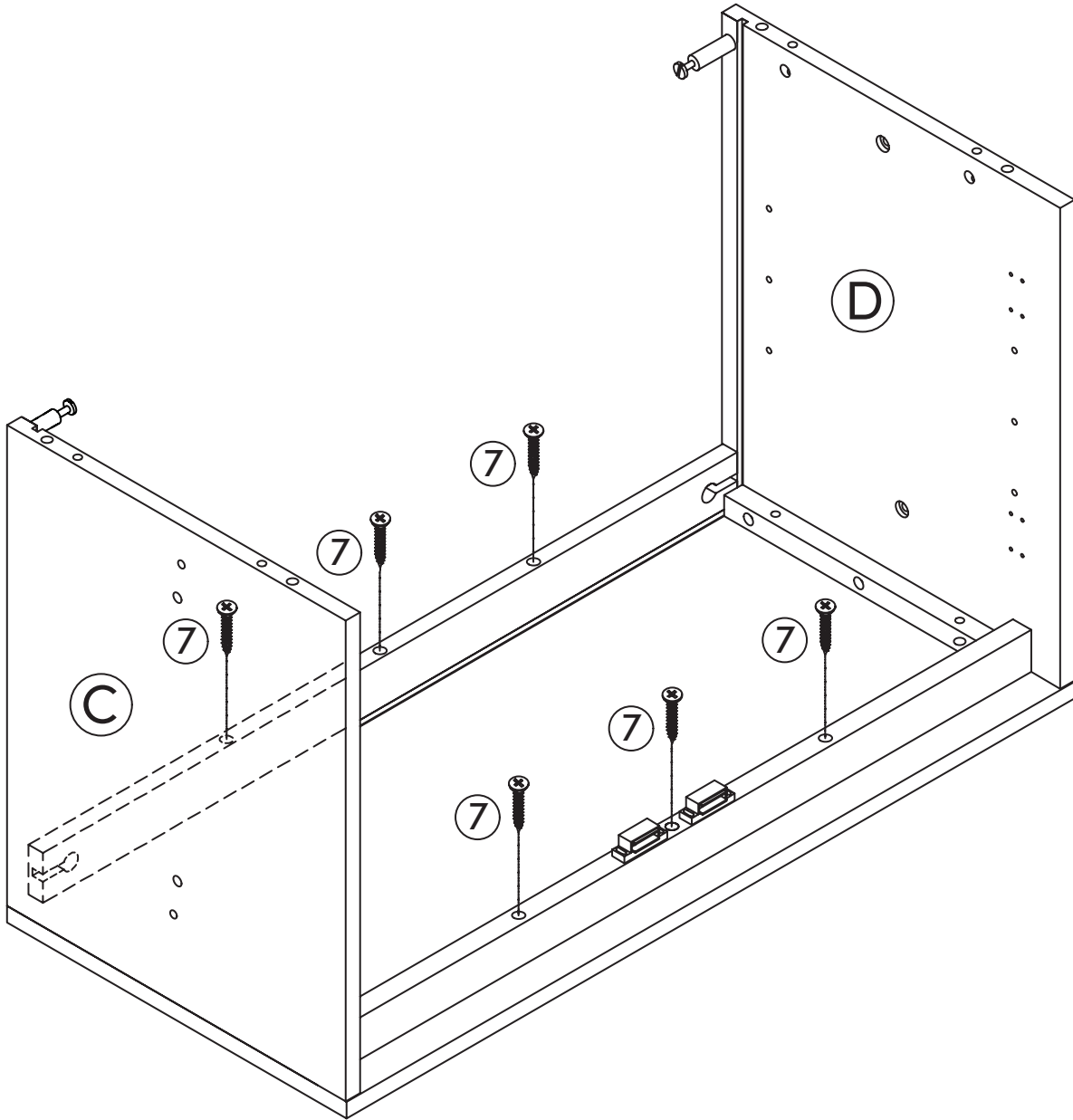
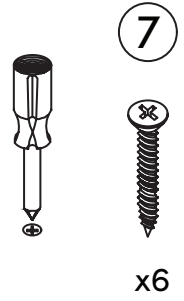
Still having issues?

If a cam lock seems to be spinning in place or is not “catching” or pulling the panels together as expected, first remove the cam lock & try again while making sure that everything is properly positioned & oriented.

If you are still having issues getting things working as expected, first remove the cam lock then unscrew the cam bolt slightly (less than 1 complete turn) to see if that helps with the alignment of the cam lock & bolt .

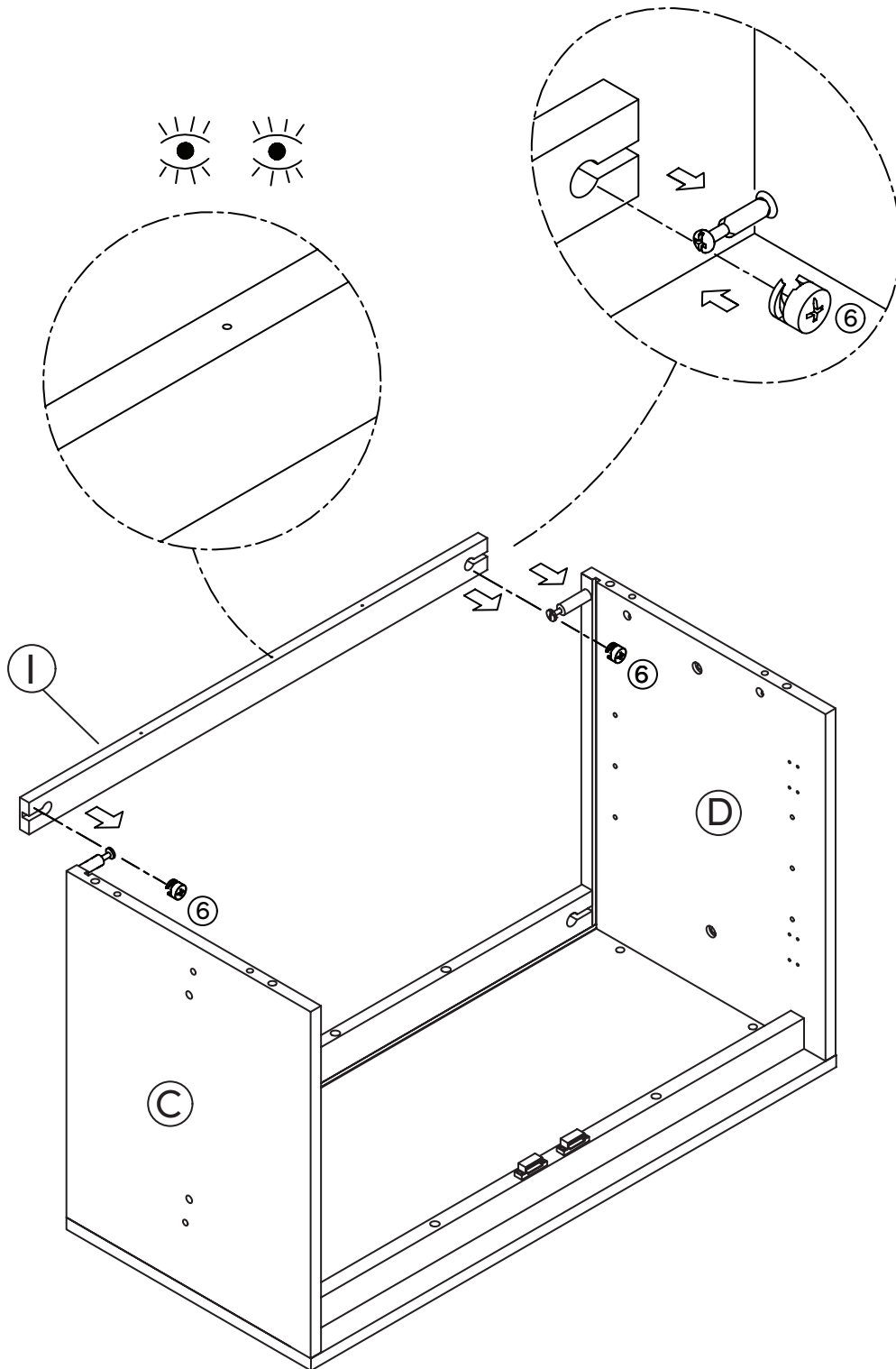
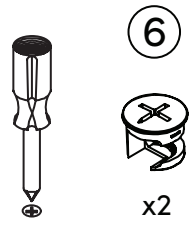
Step 5

Now locate the M4*3 5mm Screws (7) x6 and screw them into their designated holes as illustrated below.



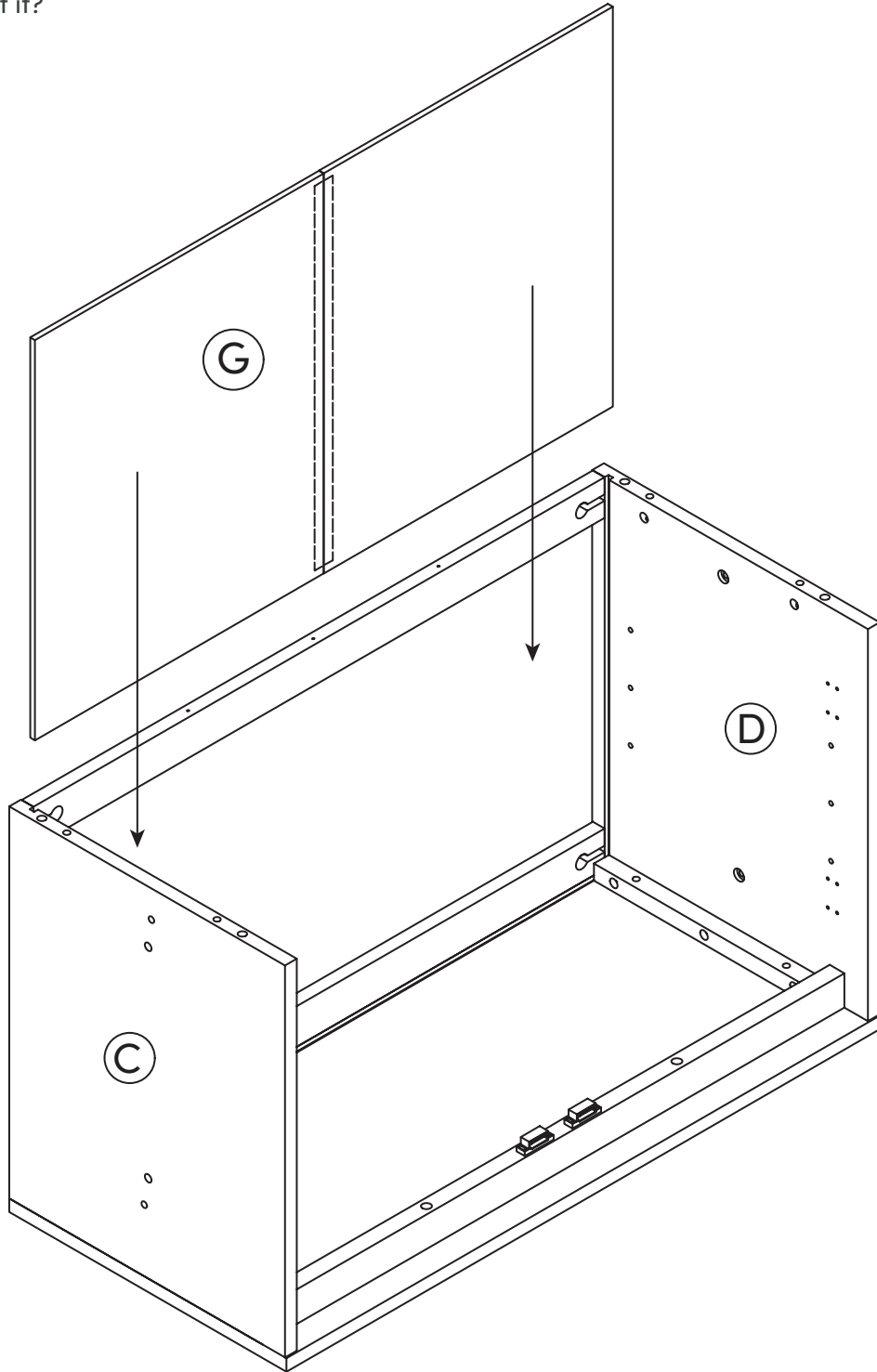
Step 6

Next, slide the Bottom Stretcher (Back) (I) into its place on the assembly. Secure using 15*10mm Cam Locks (6) x2.



Step 7

The fun part! Slide the Back Panel (G) into its slots - it fits just like a puzzle piece. Quite satisfying, isn't it?



Step 8

Insert the M8*30mm Wooden Dowels (5) x4 to the top of the assembly you've been working on. Next insert the Barrel Nuts (9) x4 into its corresponding holes. Now grab the Cabinet Bottom Panel (E) and push it into place.



3



x4

5



x4

7



x3

8



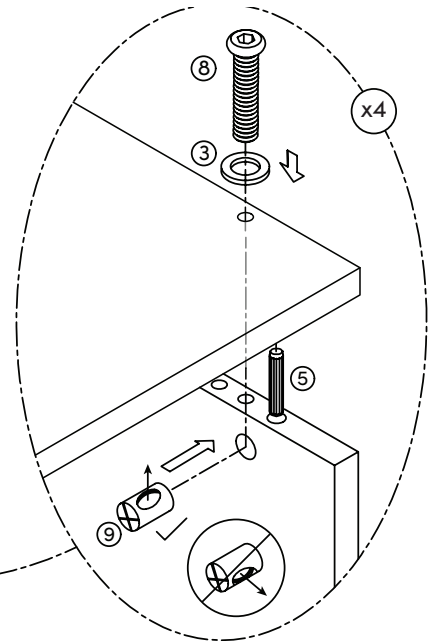
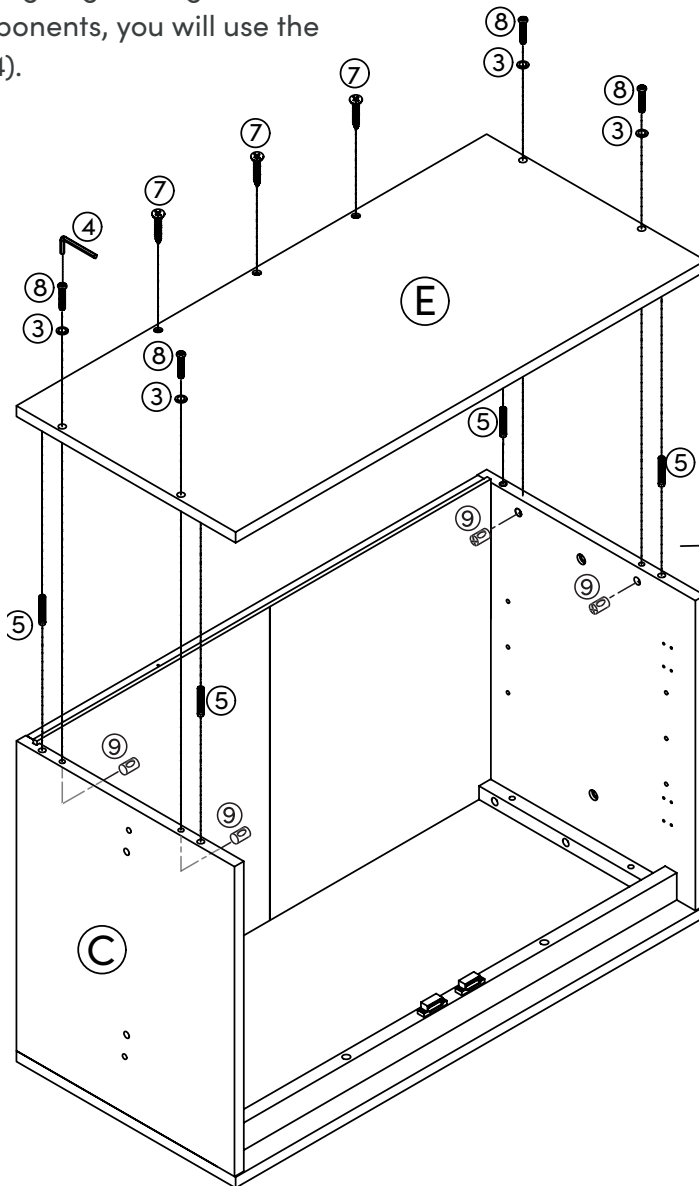
x4

9



x4

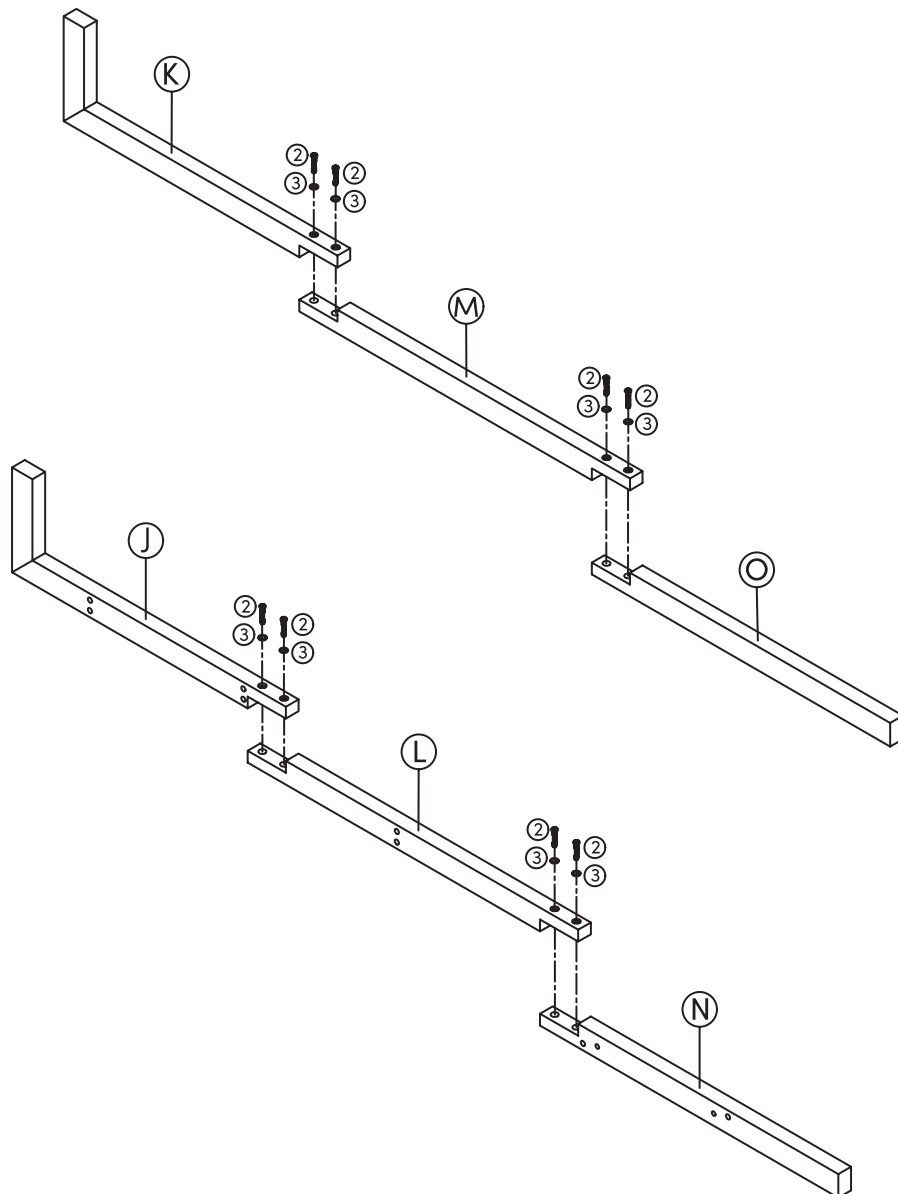
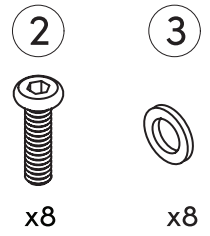
You will use the Flat Washers (3) and the 1/4\"/>



Step 9

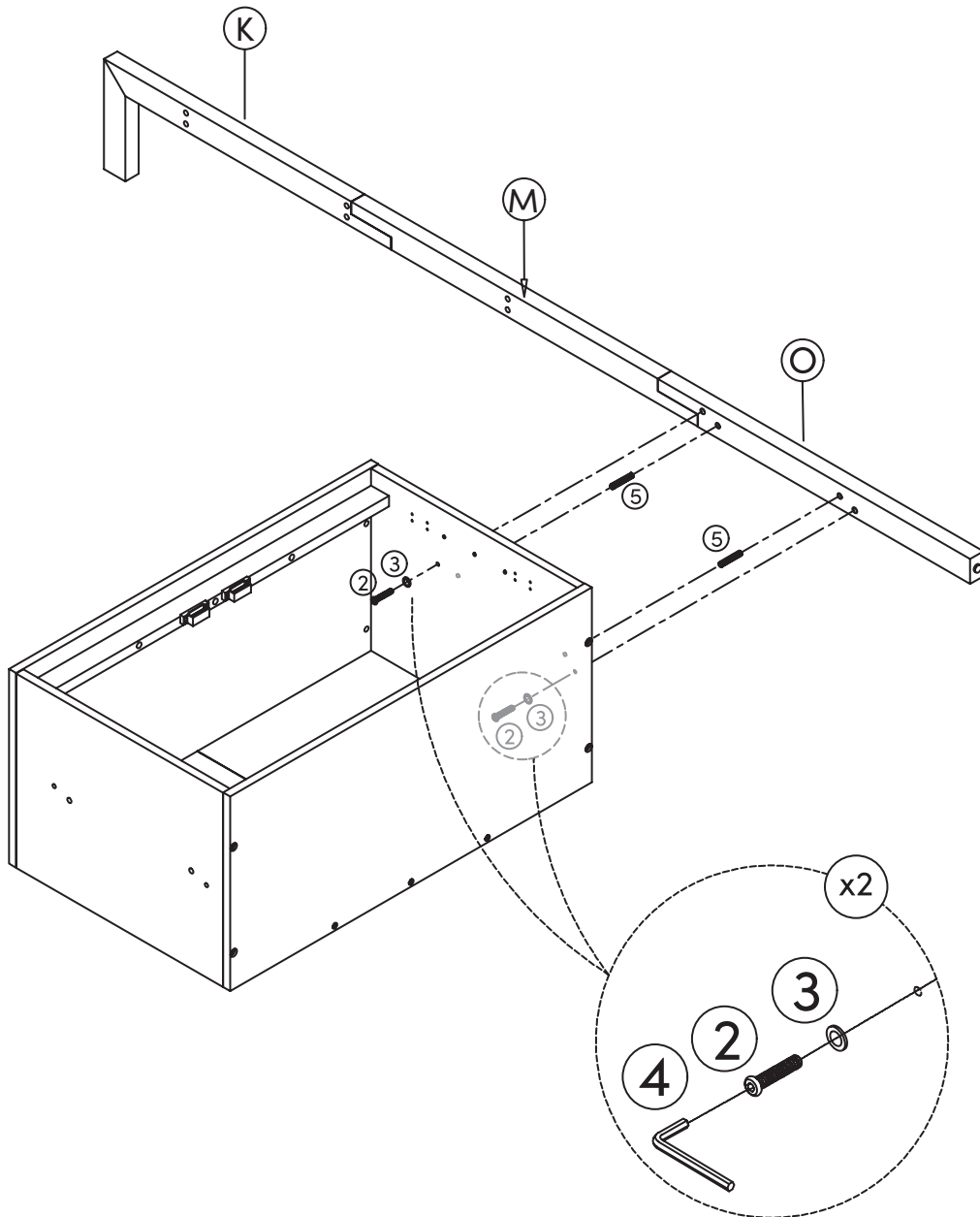
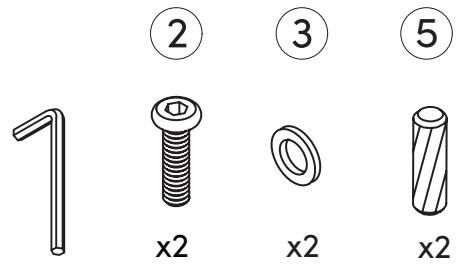
Let's get the frame built! Secure the Top Vertical Support (Right) (K), Middle Vertical Support (Right) (M), and Bottom Vertical Support (Right) (O) together.

Next join the Top Vertical Support (Left) (J), Middle Vertical Support (Left) (L), Bottom Vertical Support (Left) using the 1/4" * 32mm Hex Button Head Bolts (2) and Flat Washers (3).



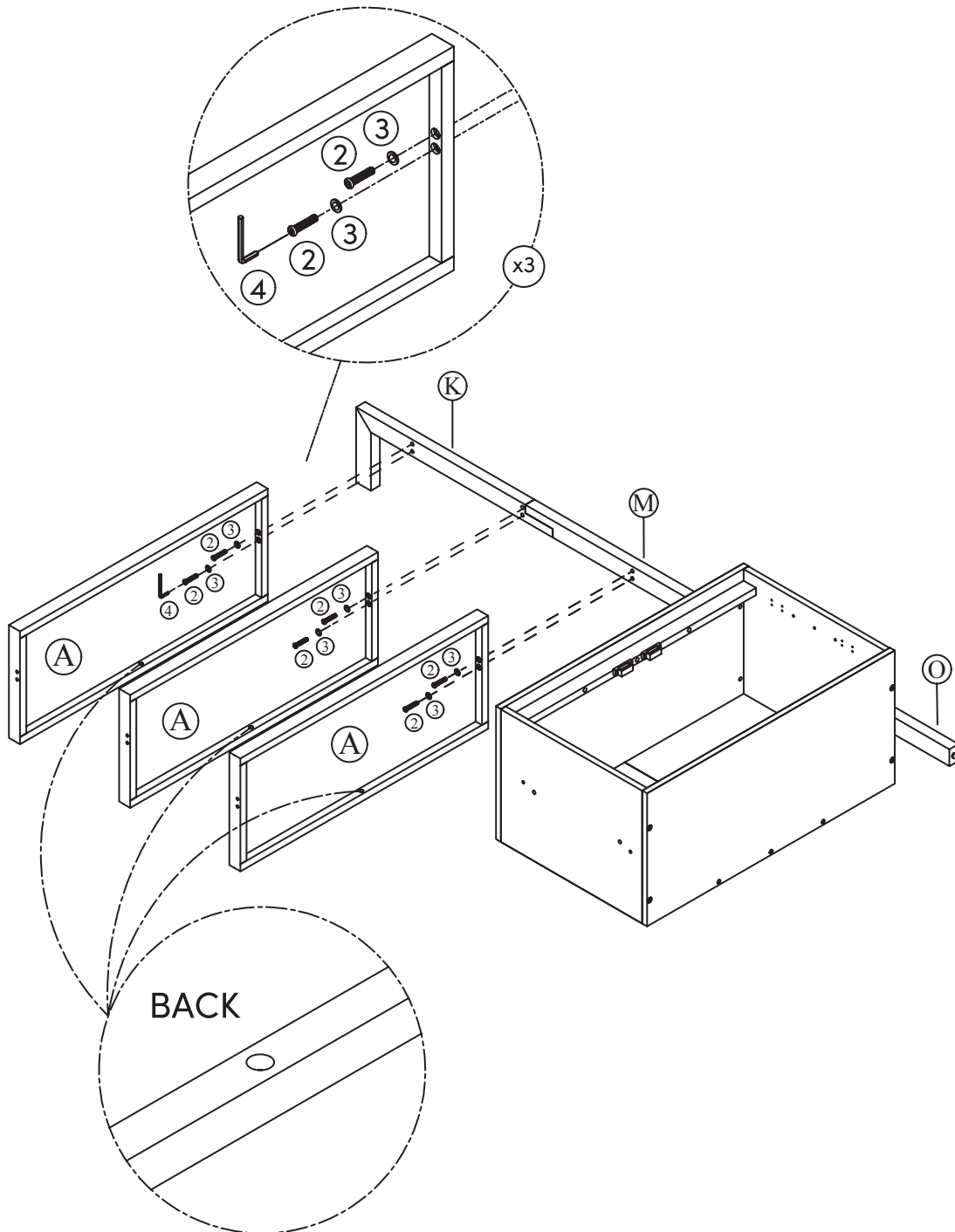
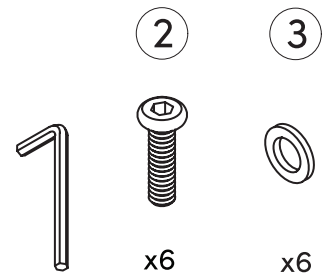
Step 10

Attach the assembled vertical supports to the bookshelf using M8*30mm Wooden Dowel (5), 1/4" * 32mm Hex Button Head Bolts (2), and Flat Washers (3) x2. Secure them with the Allen Key (4).



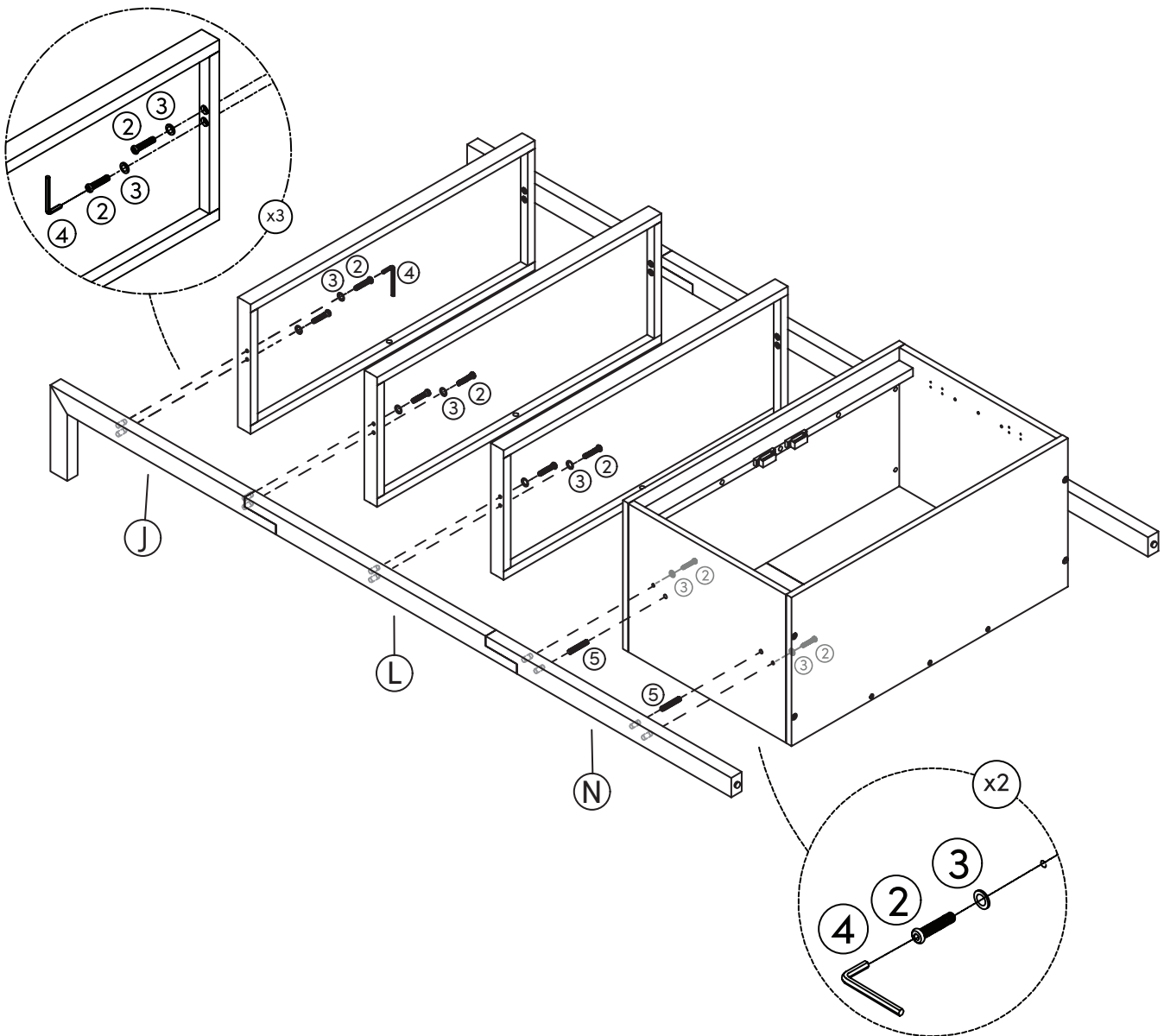
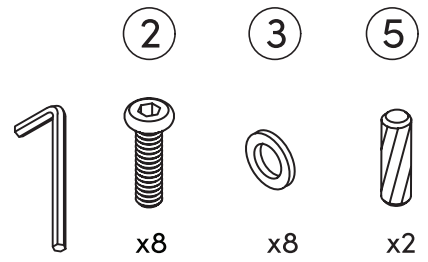
Step 11

Secure the Top Open Shelf Panels (A) to the right supports. Ensure the holes are at the back before fastening with 1/4" * 32mm Hex Button Head Bolts (2) and Flat Washers (3).



Step 12

It's all coming together! Now secure the left supports using 1/4" x 32mm Hex Button Head Bolts (2), Flat Washers (3), and the Allen Key (4).



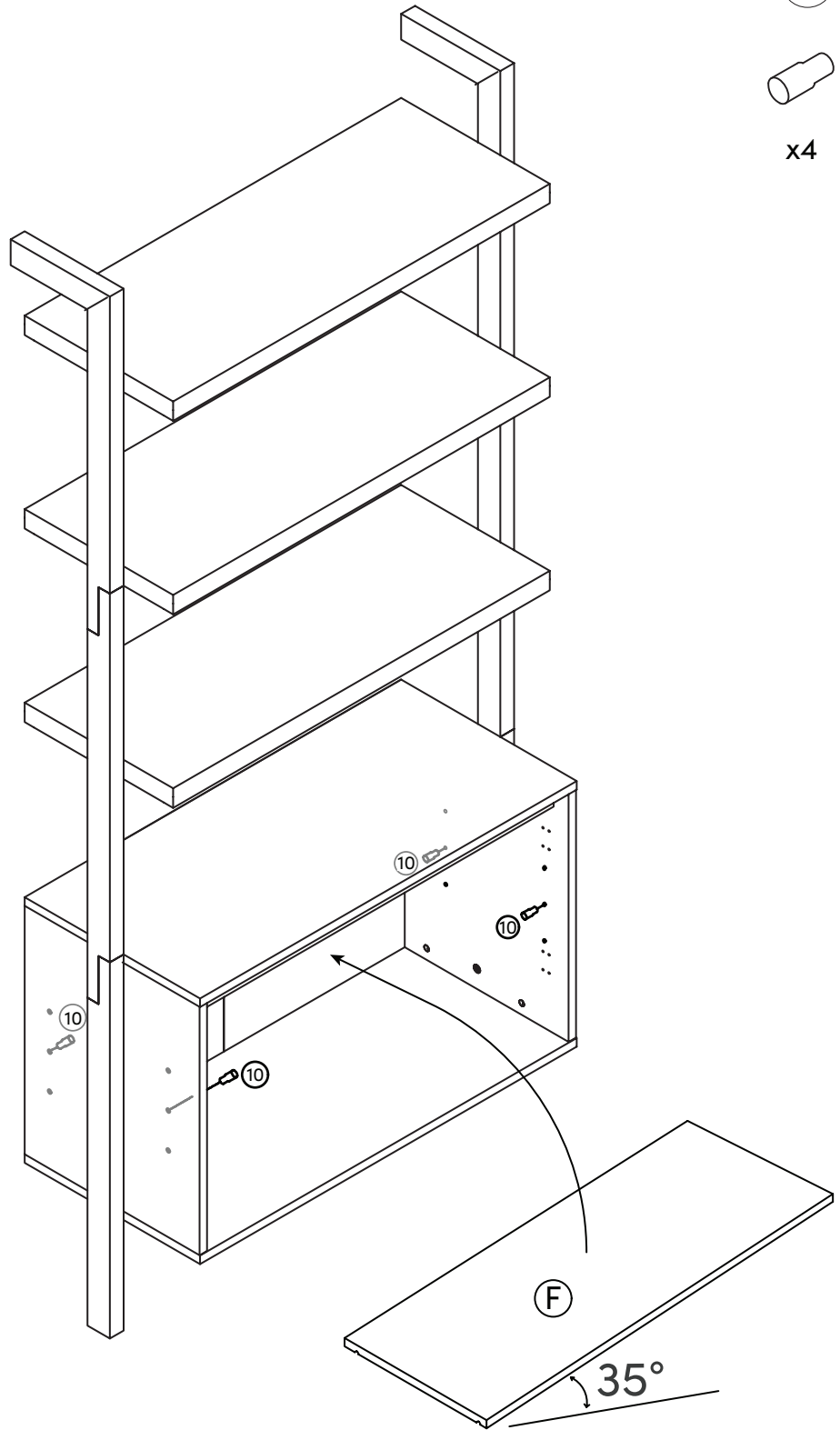
Step 13

Choose your desired height and place the Shelf Pins (10). Then, carefully set the Shelf (F) on them.

10



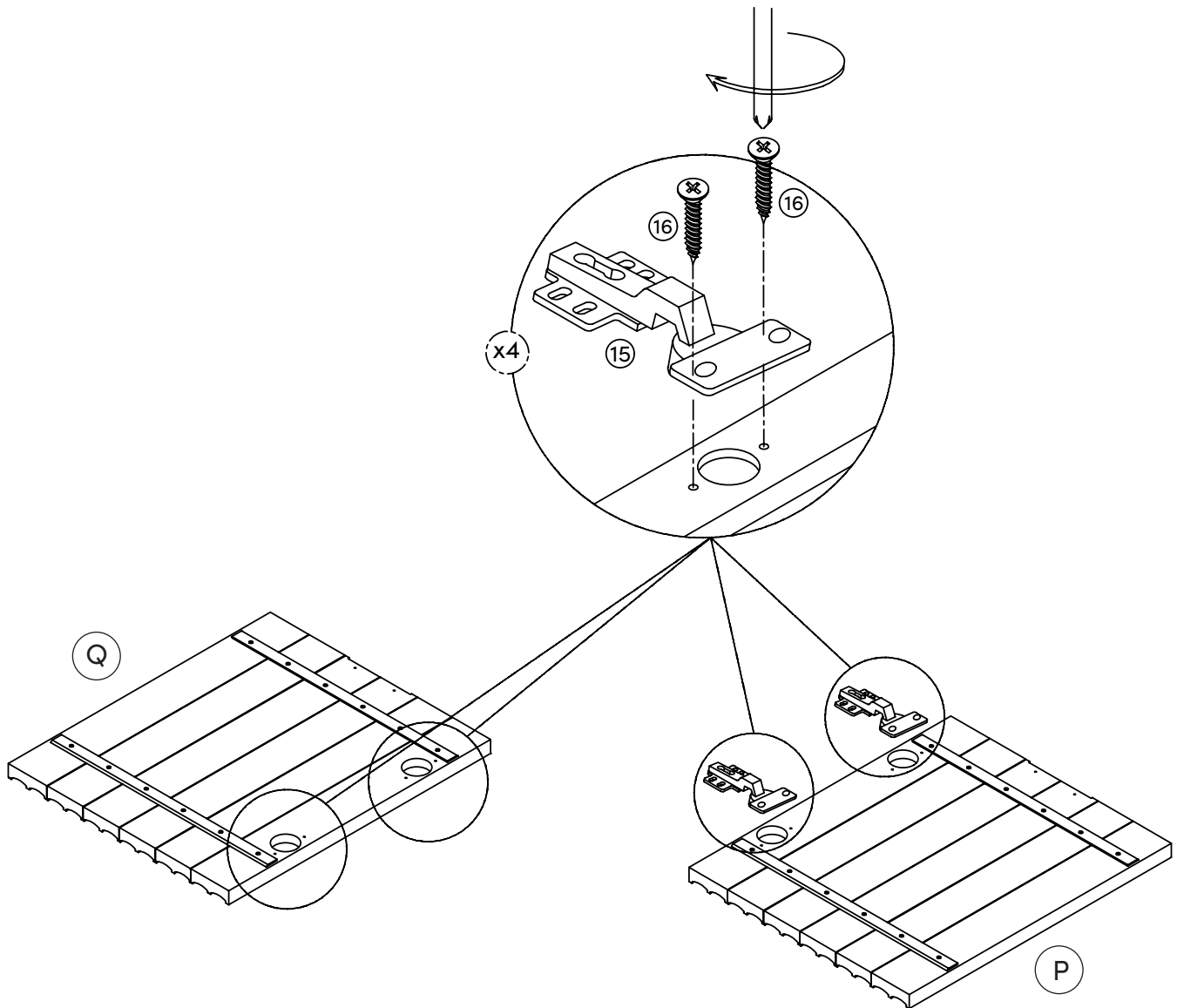
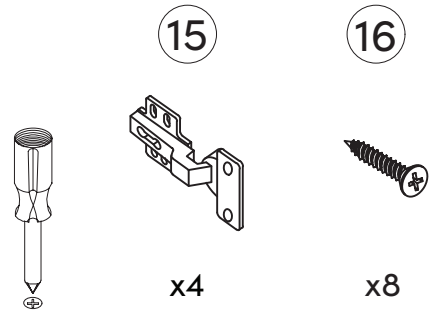
x4



*fit shelf 35 degrees before trying to place inside the cabinet on shelf pins

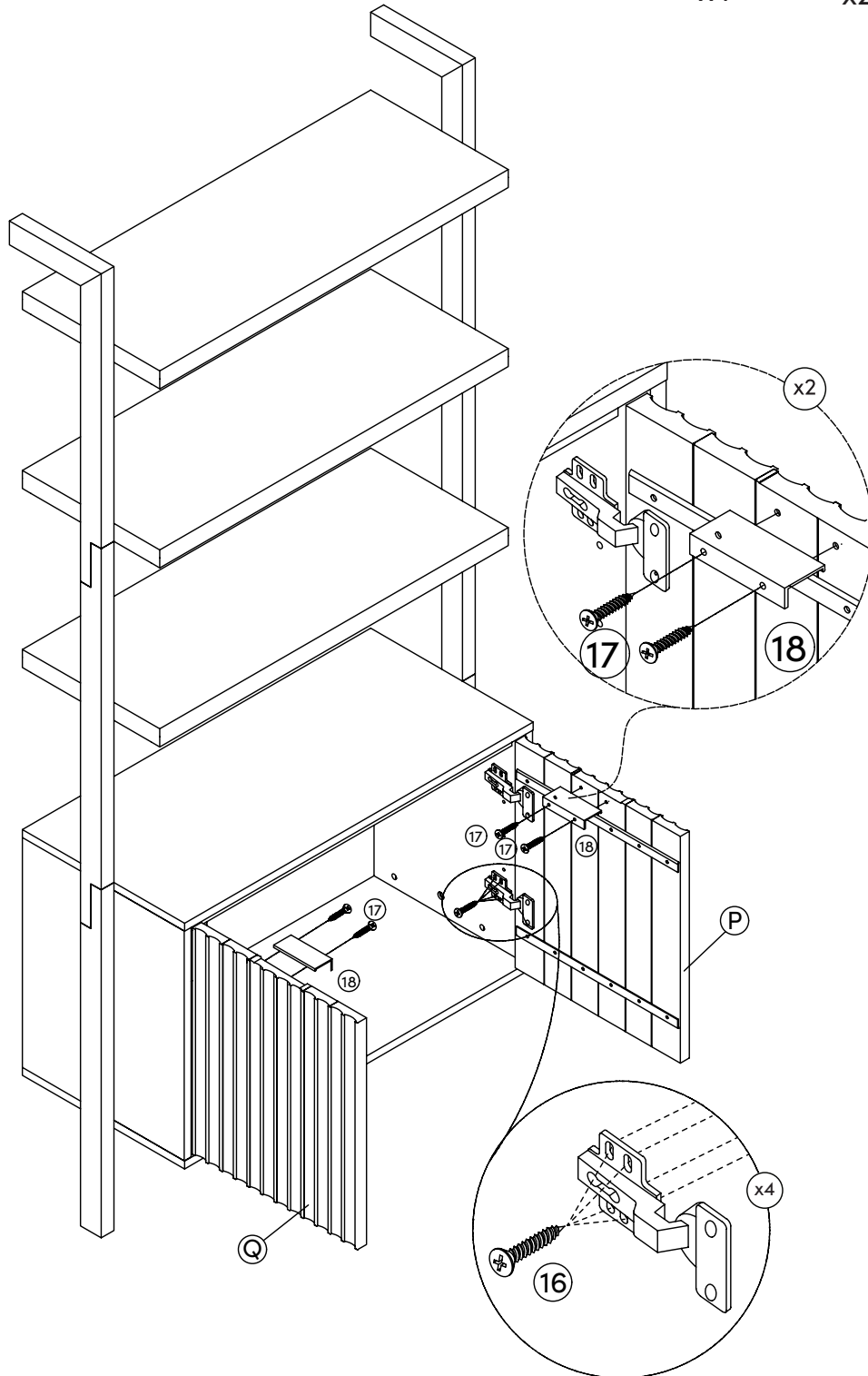
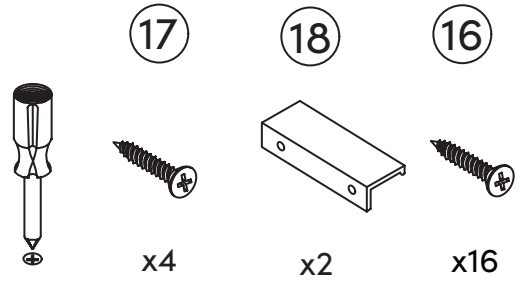
Step 14

Grab the Right Door (Q) and the Left Door (P). Attach the Hinges (15) x4 over the larger holes using M4*14mm Screw (16) x8 and your screwdriver.



Step 15

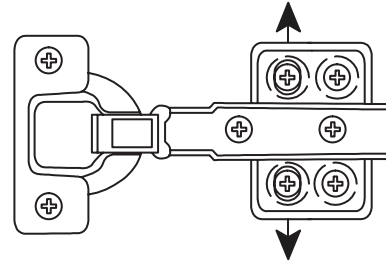
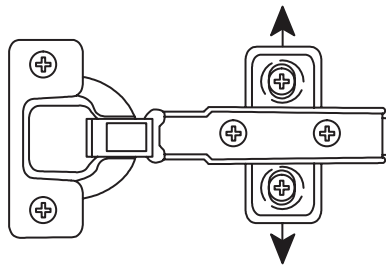
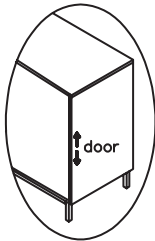
First, fix the back end of the Hinges (15) inside the bookshelf with M4*14mm Screws (16). Then, attach the Handles (18) using M4*14mm Screws (17).



Is your cabinet door looking crooked or unevenly spaced?

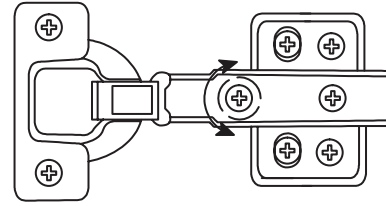
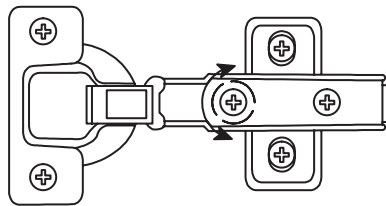
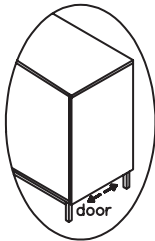
Then you've come to the right place. Follow the illustrations below to get your cabinet door aligned and ready for action.

If your door is too low or too high...



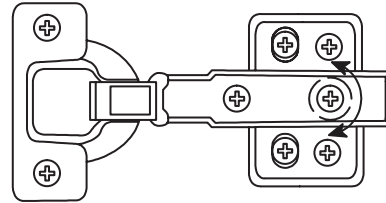
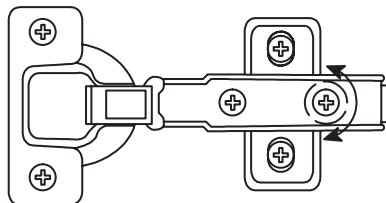
Loosen the height screws, then move the door up or down to make it **level**.

If the space between your doors is off...



Loosen the side-to-side screws, then screw counter-clockwise to make the gap wider or clockwise to close any gaps.

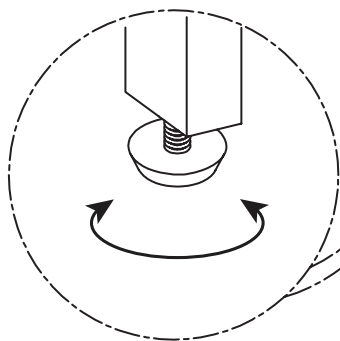
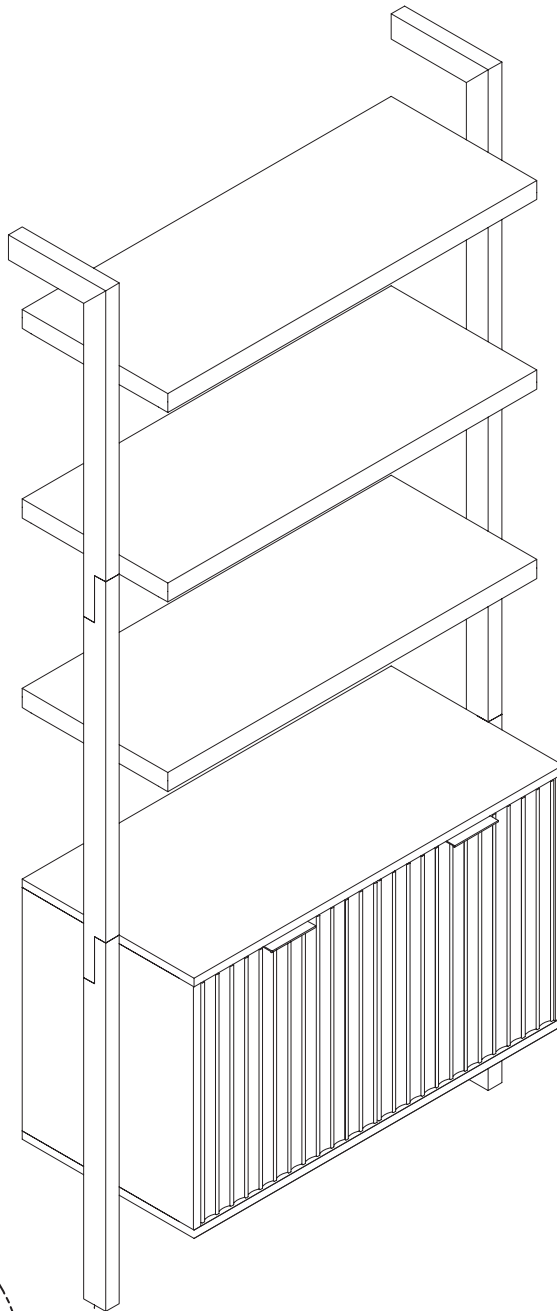
If you need to adjust the depth of the doors...



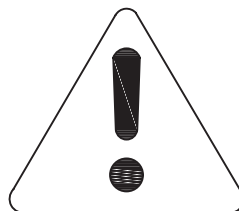
Adjust the in-and-out screws until the door is **aligned** with the side of the cabinet.

Step 16

Looking good! If the bookcase seems wobbly or uneven when placed against the wall, adjust the feet accordingly.



Wobbly or unlevel?
Adjust feet until stable!

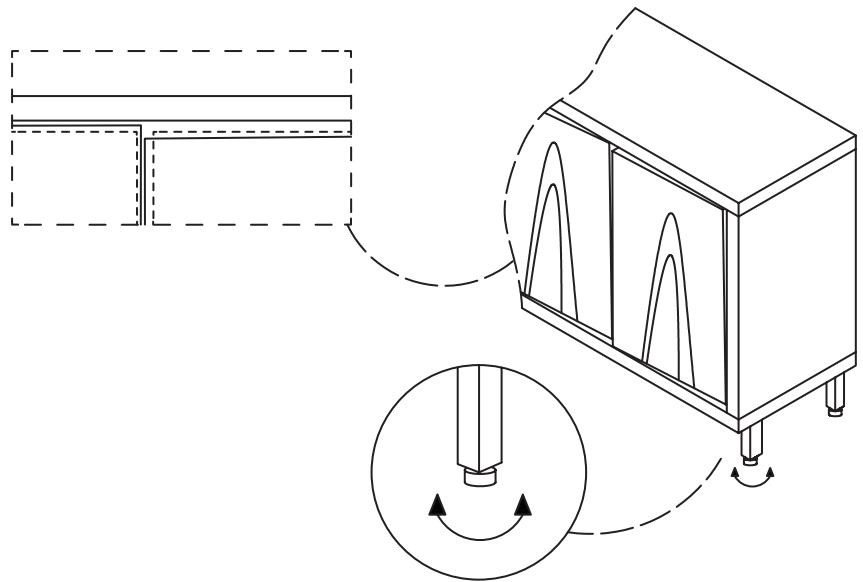


Please check if the two doors are aligned. If they are not aligned, adjust the hinges or adjust the levelers to make the doors align before fixing the cabinet to the wall.

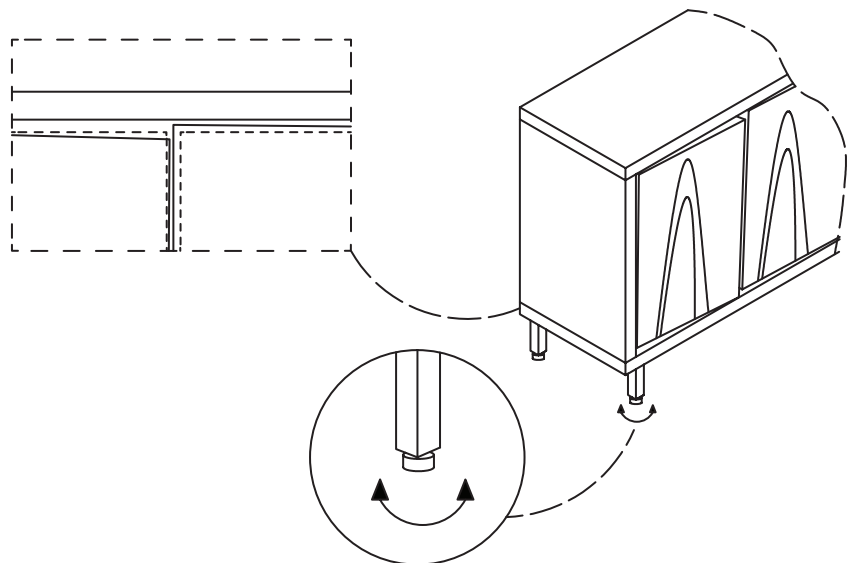
Is your cabinet door looking crooked or unevenly spaced? (Cont.)

If you're still having trouble lining everything up, your next step should be to adjust the leveling glides to square up the cabinet and doors and make sure things are level. Follow the instructions below:

If the right door appears to be hanging low, you can adjust the adjustable leveler on the front right until the door is better aligned.



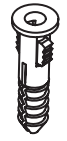
If the left door appears to be hanging low, you can adjust the adjustable leveler on the front left until the door is better aligned.



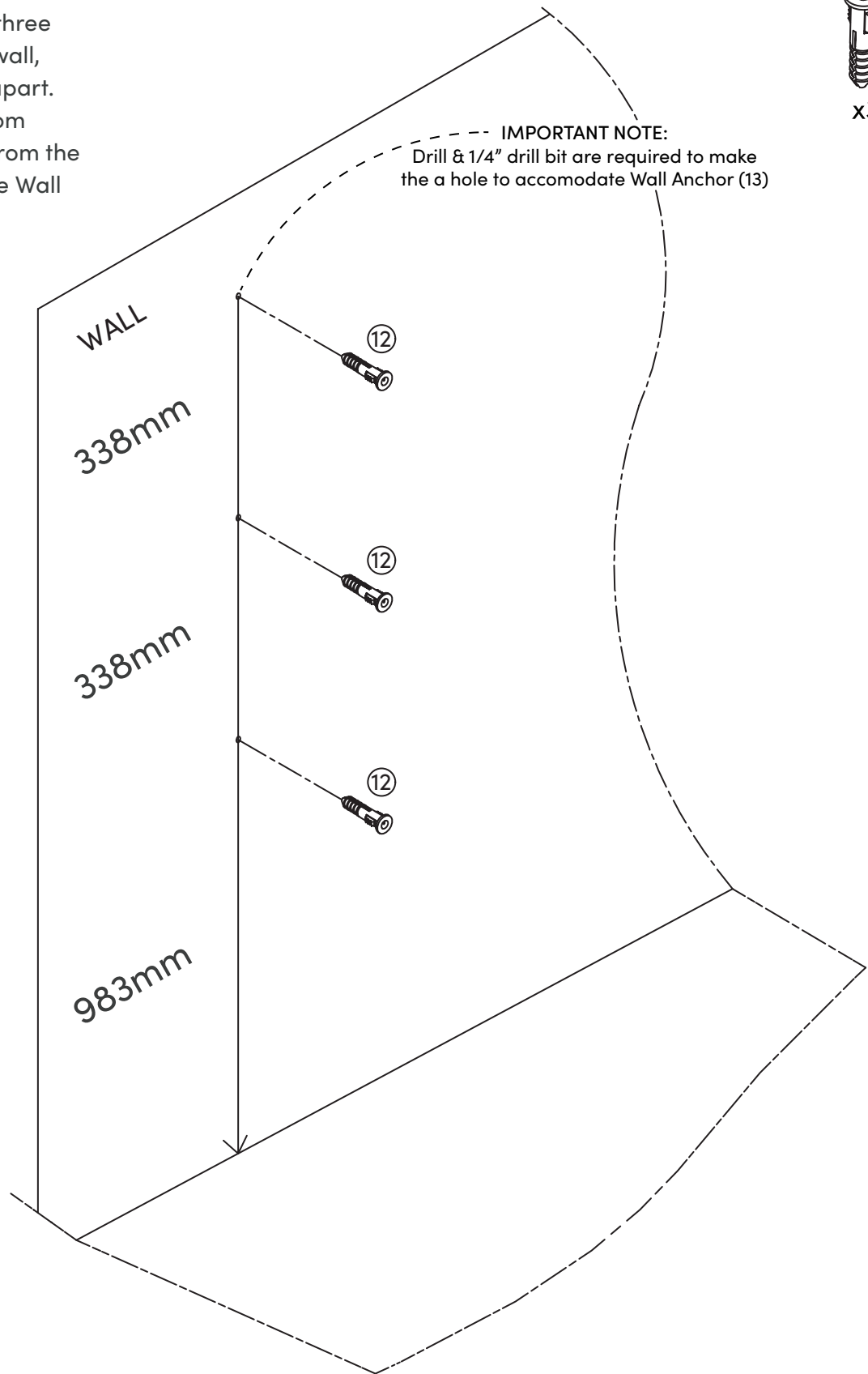
Step 17

Safety first! Drill three 1/4" holes in the wall, spaced 338mm apart. Position the bottom Anchor 983mm from the ground. Insert the Wall Anchors (12).

12

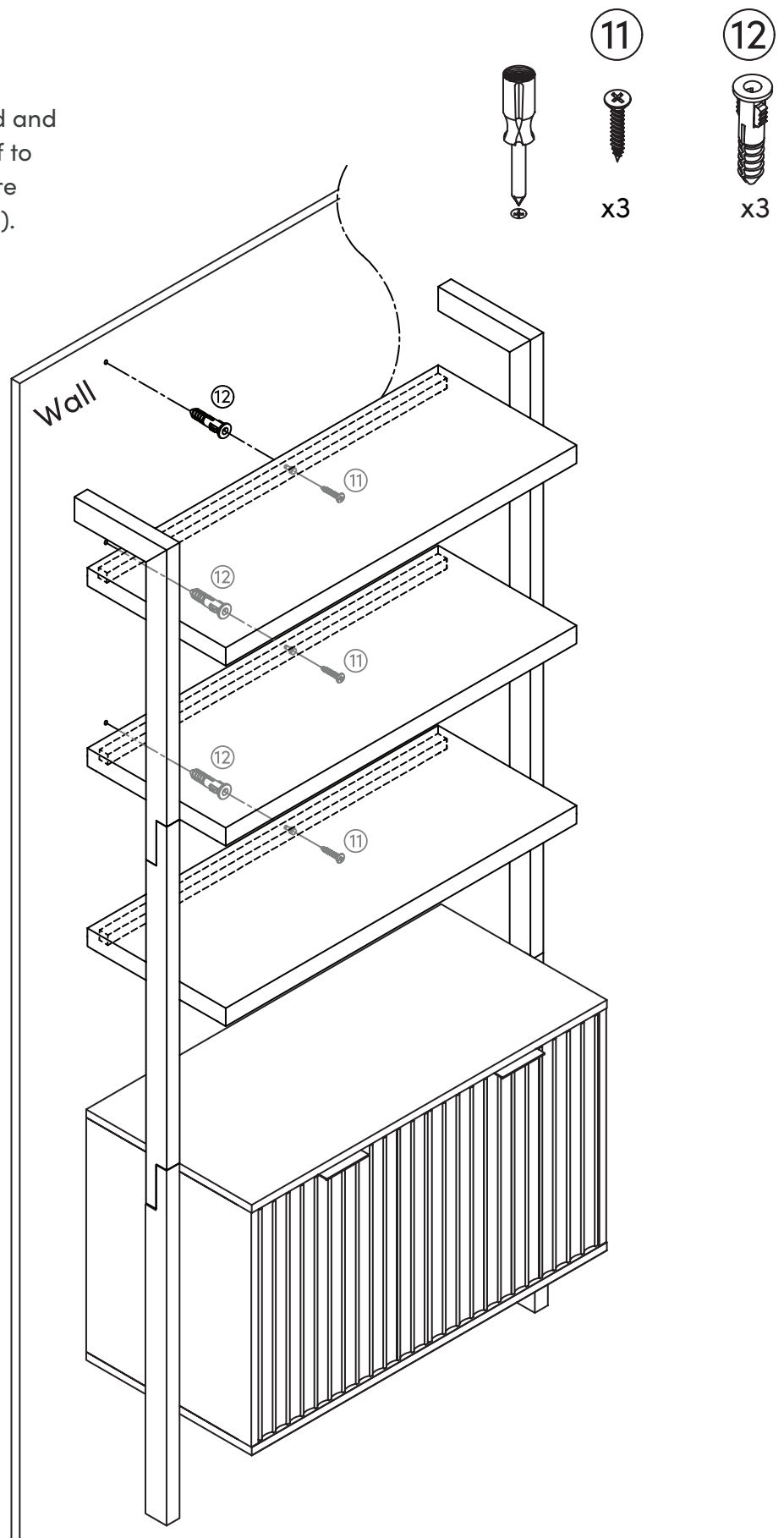


x3



Step 18

Last but not least, grab a friend and carefully line up your bookshelf to the Wall Anchors (12) and secure using the M4*50mm Screws (11).



No heartburn, when we handle the return

Give us a call **1-866-619-1004** or shoot us a message at **help@nathanjames.com** we will issue you a free replacement with **zero hassle**.

Our way



Give us a call



Replacement



You

Their way



Re-package item



Schedule pick up



Track package



Replacement



You

We really don't want you to go through the hassle of re-packaging your item and sending it back, because let's be honest...nobody has time for that.

Safety first, fun later

We want your product to last as long as possible, so we recommend that you tighten the screws 2 weeks after assembly and for added safety check the tightness of all screws every 2 months.

For proper care and treatment, please check our website at NathanJames.com/products

Safe use of this product starts with you.

Use this product responsibly with the primary concern for your safety. Follow assembly instructions carefully and inspect product upon receipt and each use.

Nathan James and its parent companies cannot be held legally responsible for any injuries or death resulted from failure to follow instructions or improper use of this product.

Do not modify the structure of this product in any way.

Our products have been tested to meet specific safety measures as they were originally intended to be sold. Any modifications will present the risk of creating significant safety issues which NJ will not be responsible for.

Proper use

- DO NOT** use for commercial purposes
- DO NOT** frolic on bookshelf
- DO NOT** use bookshelf as foot stool
- DO NOT** leave spilled liquid on bookshelf
- DO NOT** use bookshelf if damaged
- DO NOT** make temporary repairs
- DO NOT** use outdoors

We are only in business if you're happy

For starters, thanks for being you.

☎ Toll-free at 1-866-619-1004

✉ Help@nathanjames.com

🌐 NathanJames.com/help

We do our best to ensure your furniture arrives without any problems, but occasionally mistakes happen—as humans we are imperfect beings. In the event that a part is damaged or missing, we will be more than happy to provide you with replacement part(s) for free.

Warranty

This product comes with a lifetime warranty from the date of purchase. Please use your phone to scan the QR code to register your product or visit <https://goo.gl/i9dk3q>



Did we do alright? Please spread the love!

If you are happy with your product, tell your friends and family about us or even better leave us a review online. Spreading the word gives us the opportunity to make more people happy and keep our prices low for your next purchase.

Brooklyn Burdon

Founder, Nathan James