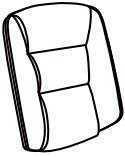

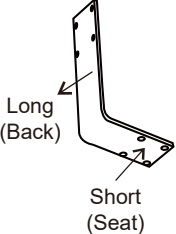
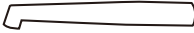



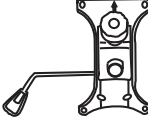
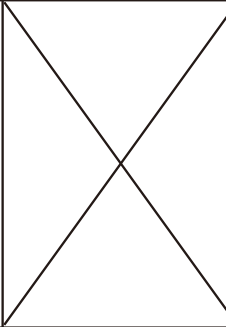











<b>A</b>  x1	<b>B</b>  x1	<b>C</b>  x1	<b>D</b>  x5	<b>E</b>  x1	<b>F/L</b>  Labeled: "L" x1	<b>G/R</b>  Labeled: "R" x1	<b>H</b>  #19 x1	
<b>J</b>  #80 mm x1	<b>K</b>  x5	<b>L</b>  M6*50 mm x4	<b>M</b>  M6*20 mm x12	<b>N</b>  M6*12 mm x10	<b>O</b>  6*14*1 mm x4	<b>P</b>  25*10*3 mm x4	<b>Q</b>  x4	<b>R</b>  x1



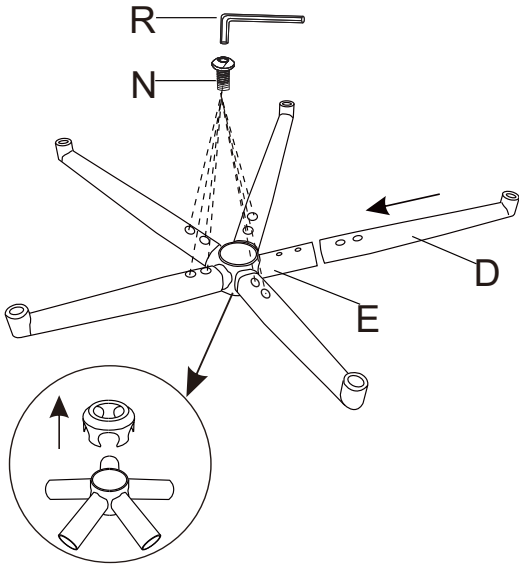
### Assembly Tips

- **STEP 1** - Remove the base cap before inserting the legs into the base connector (#E).
- **STEP 3** - Reattach the base cap to the base before inserting the gas lift.
- **STEP 3** - Hold the base firmly and push the casters in with strong pressure.
- **STEP 4** - Ensure the labeled side of the connector plate (#C) is attached under the seat.  
*(The short side should be positioned towards the seat, and the longer side towards the back)*
- **STEP 5** - Ensure the tilt function knob faces the front of the seat while attaching the base plate.
- **IMPORTANT** - DO NOT fully tighten the screws until all screws are properly placed into their holes.

**NEXT PAGE: ASSEMBLY PROCESS**

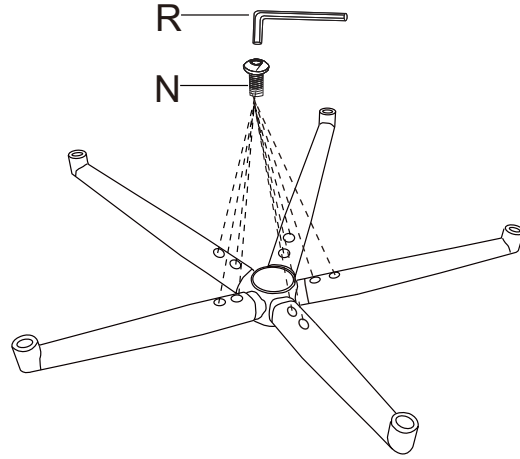
①

Screw Tightness: 50%

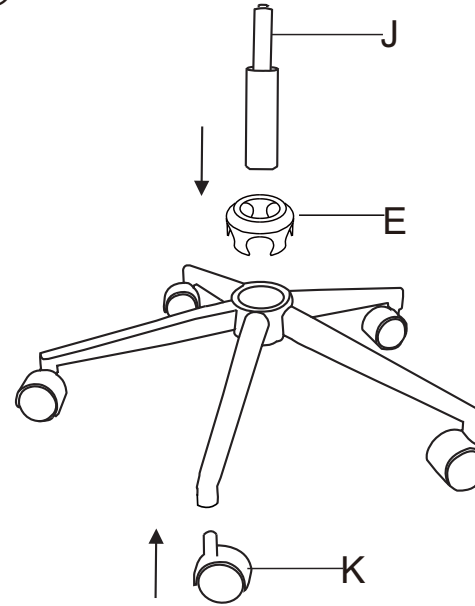


②

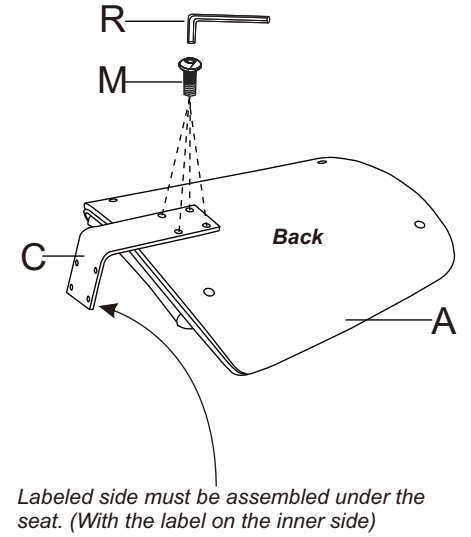
Screw Tightness: 100%



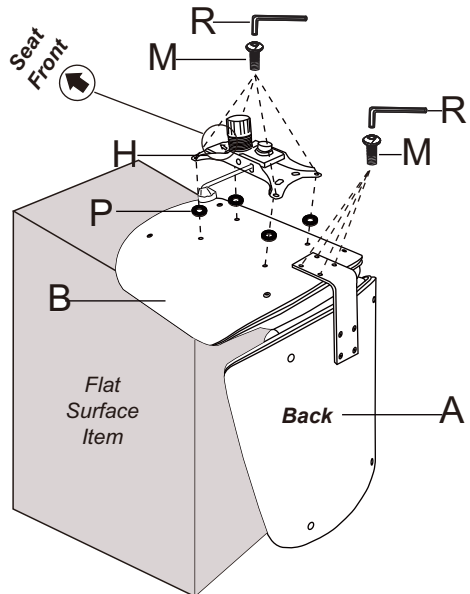
③



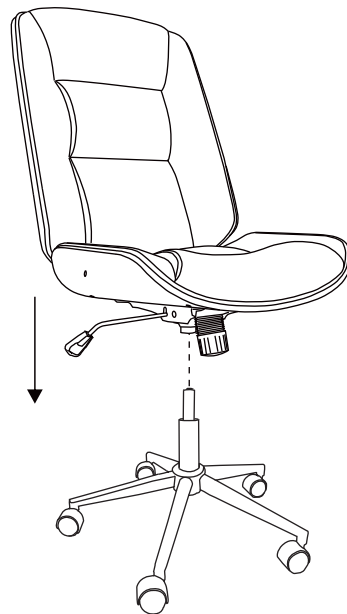
④



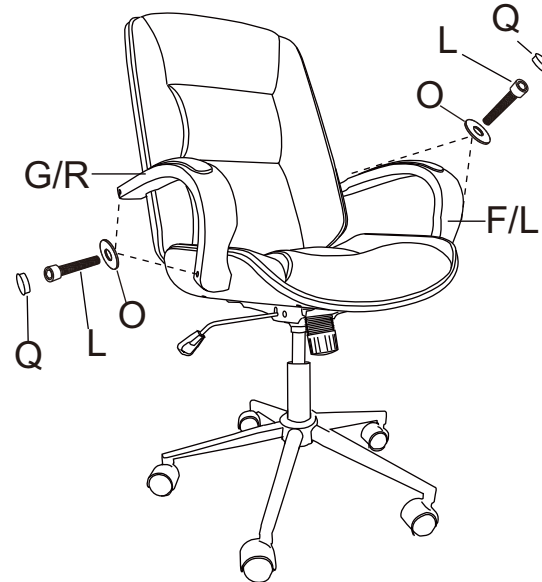
⑤



⑥



⑦



⑧

