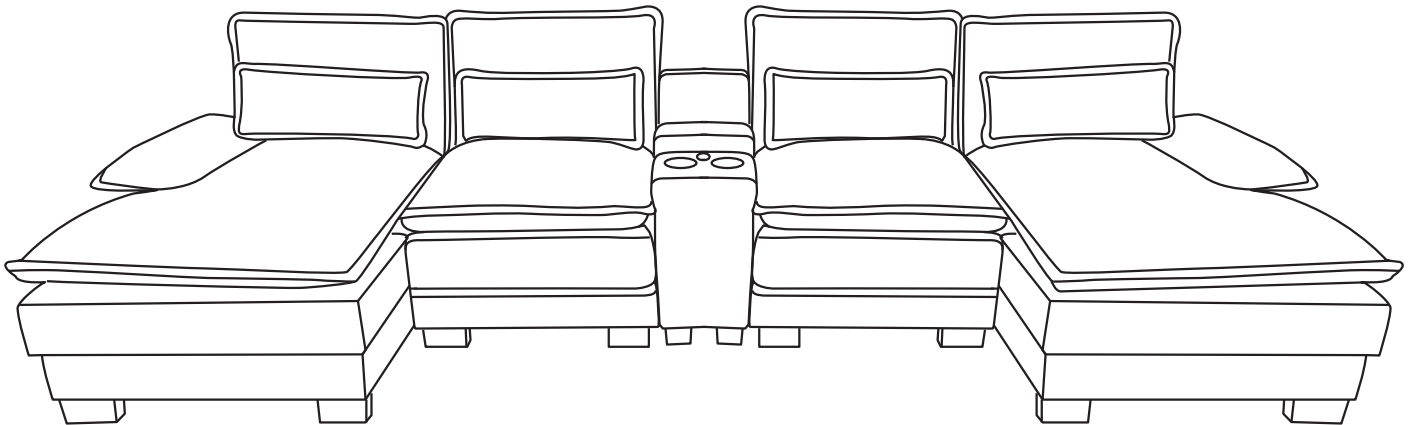


ASSEMBLY INSTRUCTIONS

Friendly Reminder:

- 1.This sofa is packed in 3 boxes. Please assemble it After all boxes are received.
- 2.As the cushions are all vacuum compressed,there will be some wrinkles. Please give your cushions up to 72 hours to reach its original size and the wrinkles will basically disappear.
- 3.Please do not open the compressed packags until your sofa frame is completely assembled.









Return & Warranty policy:



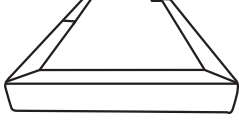

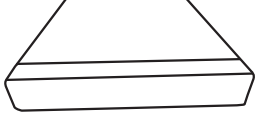
- We strive to offer the highest quality products,and we also try our best to satisfy each and every customer that orders from us with replacement parts or service as needed.
- If the item is damaged or defective, please take photos as evidence for replacements and refunds.
- Please do not open the vacuum bag, contact the seller if you have any troubles with this product.
- Confirm that there is no problem with the product before opening the vacuum packaging.

ASSEMBLY INSTRUCTION

HARDWARE


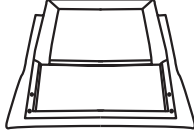


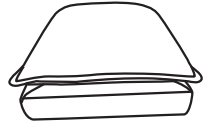
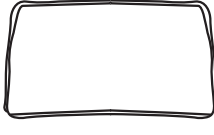
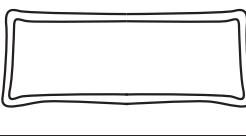
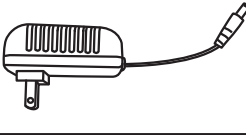
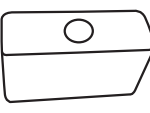
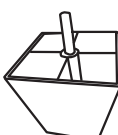

NO	DESCRIPTION	SKETCH	QTY
A	Screws M8x40mm		16PCS
B	Screws M8x65mm		16PCS
C	Screws		4PCS
D	Wing Nut		4PCS
E	Washers		36PCS
F	Spanner		1PC

PART LIST BOX C

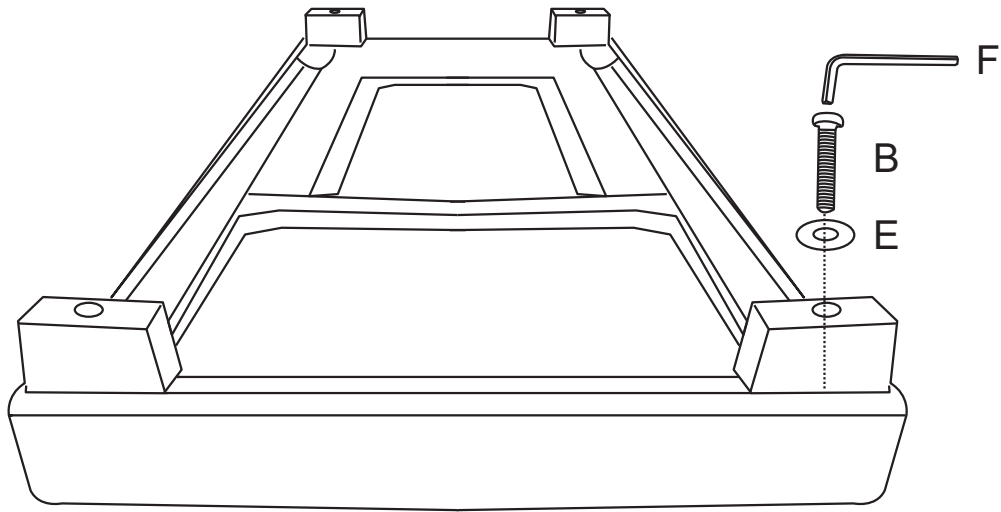
DESCRIPTION	SKETCH	QTY
Left Armrest		1
Right Armrest		1
Left Chaise Frame		1
Right Chaise Frame		1
Seat Frame		2

ASSEMBLY INSTRUCTION

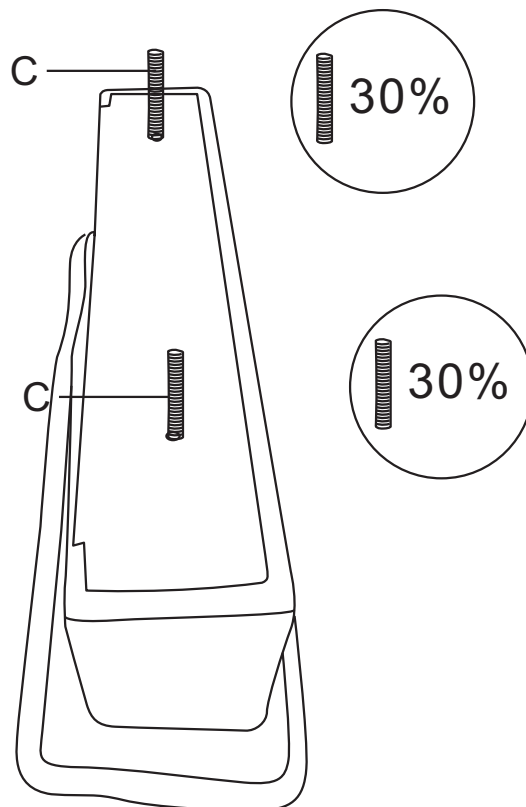
PART LIST BOX C

DESCRIPTION	SKETCH	QTY
Coffee Table		1
Back Frame		4
Left Chaise Cushion		1
Right Chaise Cushion		1
Seat Cushion		2
Back Cushion		4
Waist Cushion		4
Plug		1
Sofa Legs		16
Legs		4
Plastic Washers		4

STEP 1: Installation of sofa legs on the Chaise frame with Washers (E) and Screws (B)

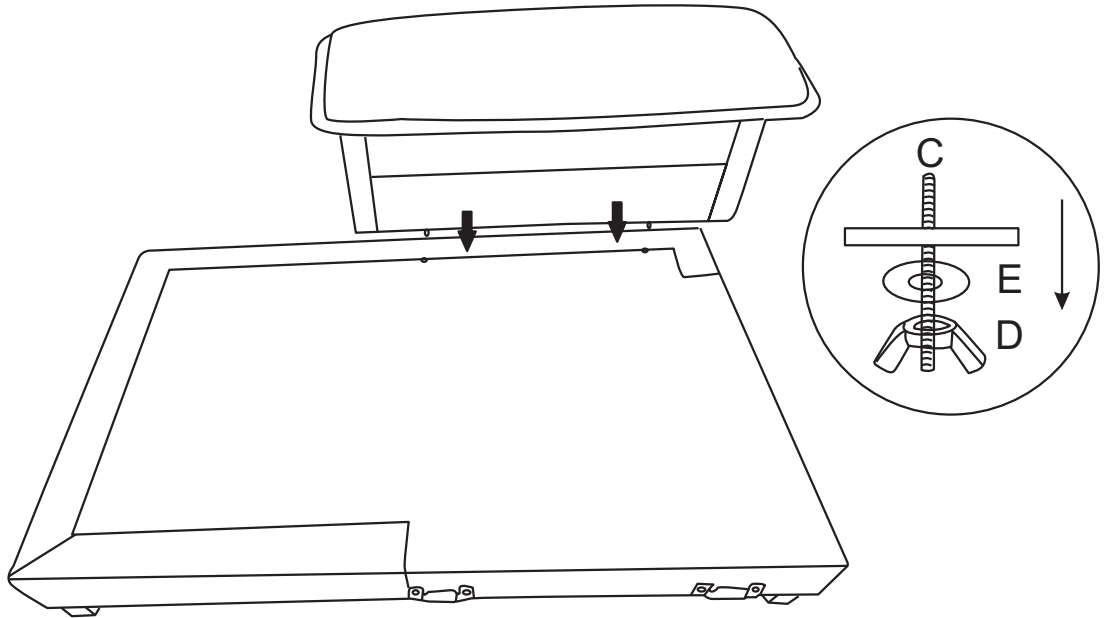


STEP 2: Insert the long screws (C) into the screw holes at the bottom of the left and right armrests until they are 30% inserted.

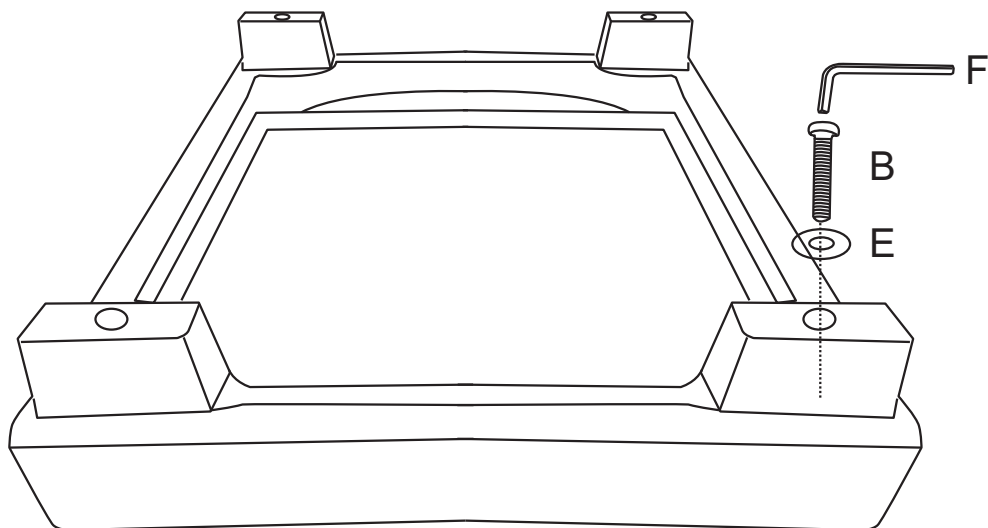


STEP 3: Align the armrest with the chaise hole and tighten the screws with the wing nut (D)

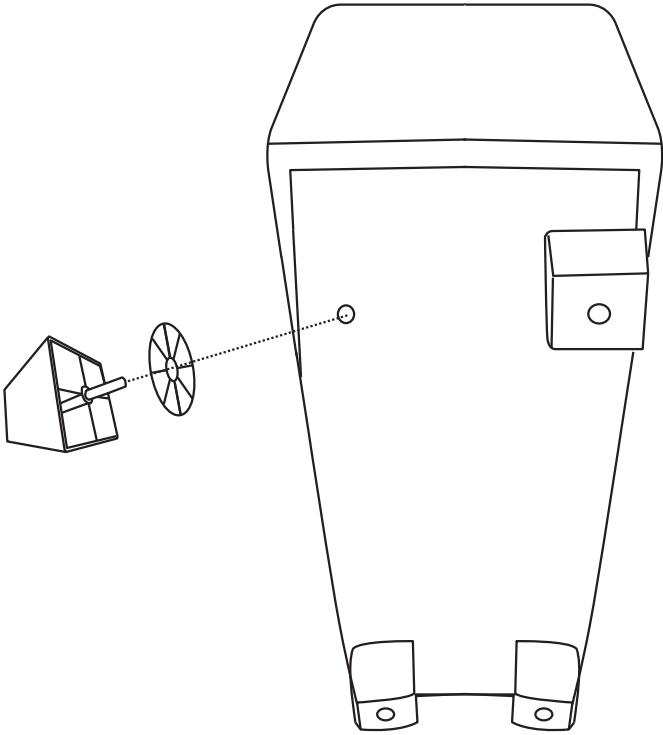
Note: Both the left and right chaise armrests are assembled in this way.



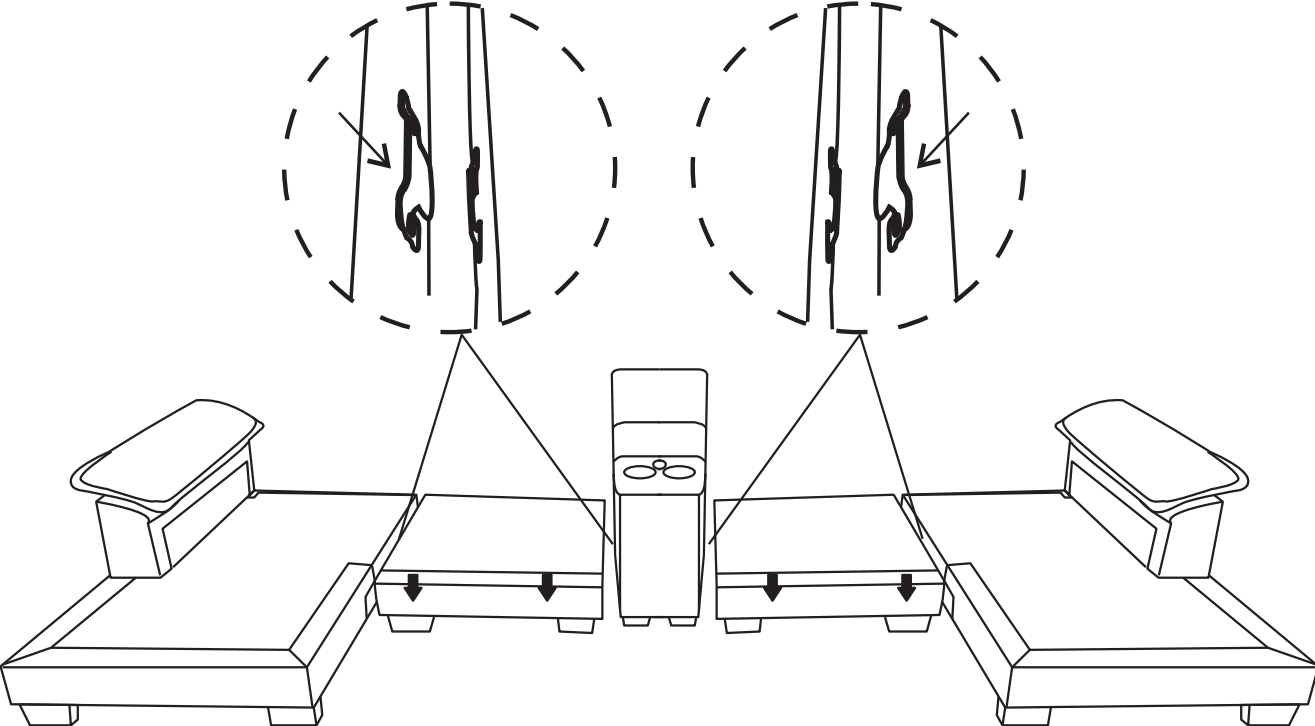
STEP 4: Installation of sofa legs on the Seat frame with Washers (E) and Screws (B)



STEP 5: Assemble the legs with plastic washers to the bottom of the coffee table

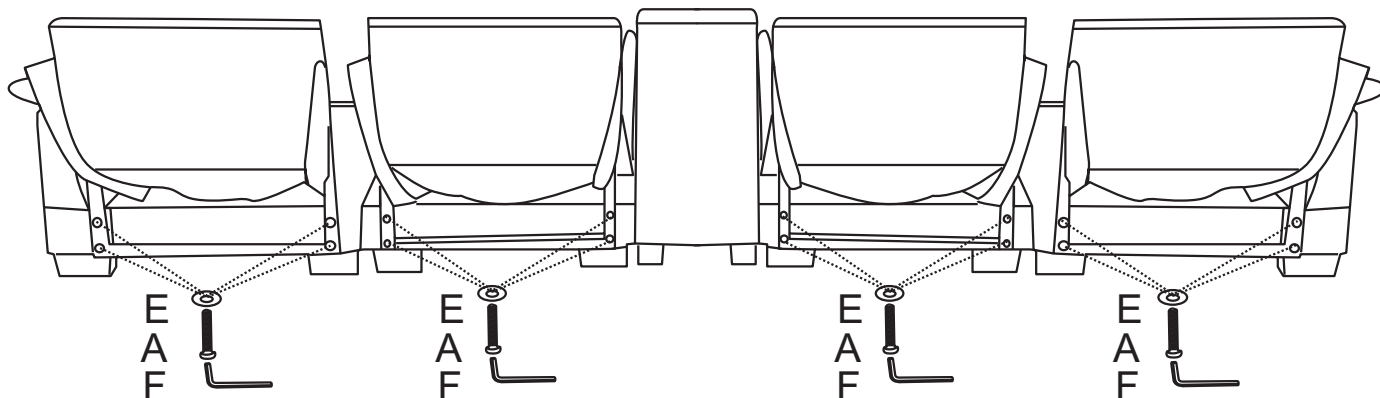


STEP 6: Slide each parts into the insert from left to right

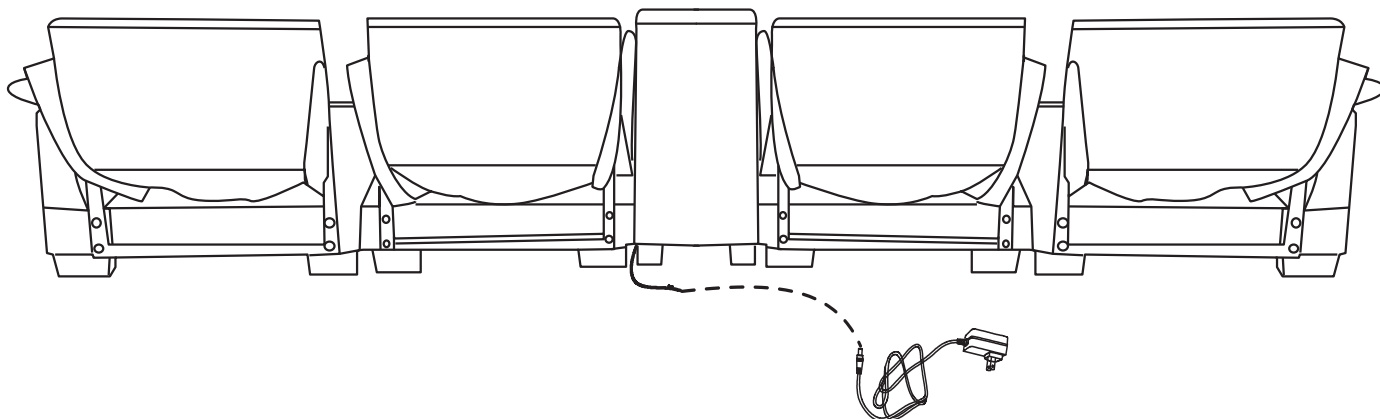


STEP 7: Assemble the Back frame into the designated holes, using Washers (E) and Screws (A) up to **70%-80%**

After confirm all screw holes are aligned, tighten all the Bolts on the seat up to 100%

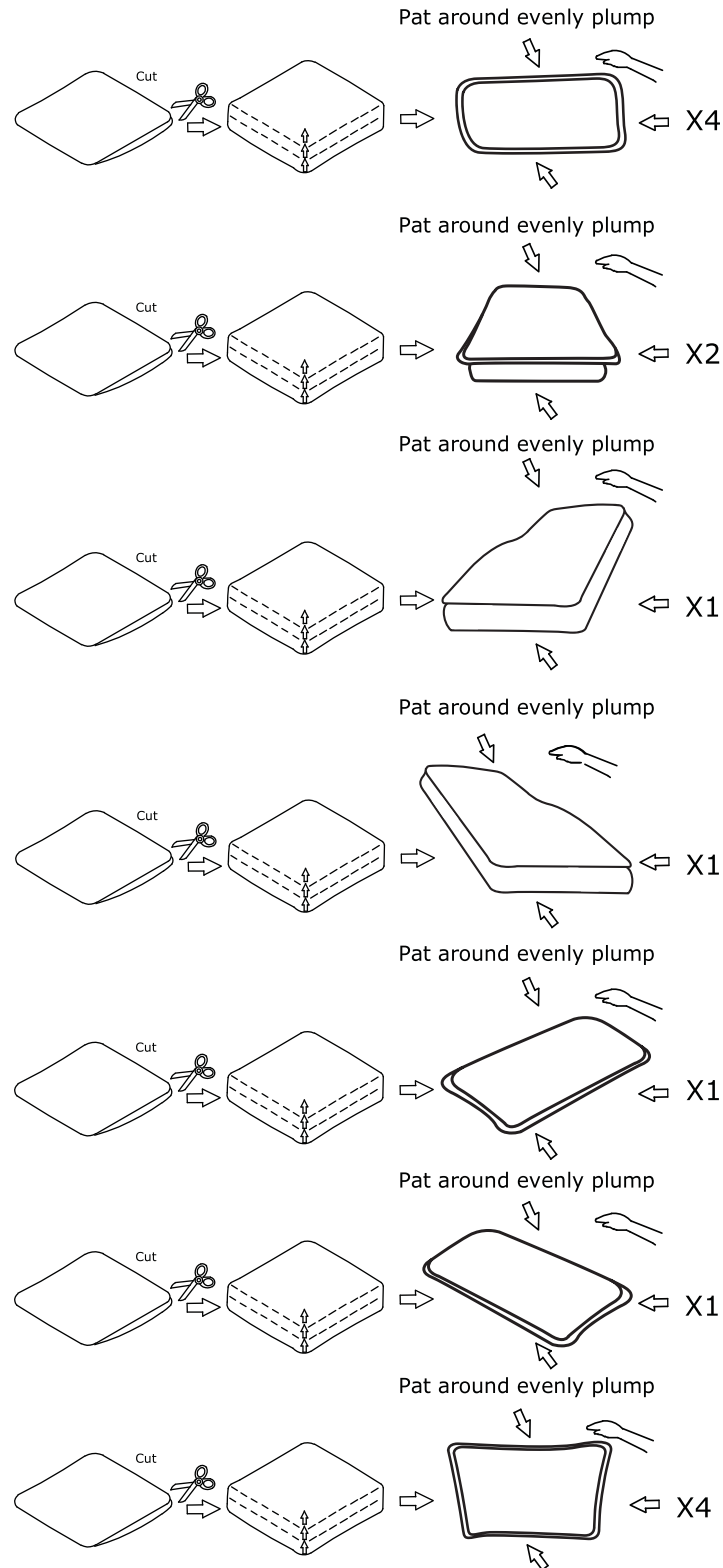


Step 8: Connect the plug to the coffee table.



Step 9

The cushions and pillows are packaged by vacuum compression. After opening the package, they rebound quickly within 4 hours. If the fabric has wrinkles, they will basically disappear after about 72 hours.



TIPS

1. Please do not open the compressed packages until your sofa frame is completely assembled.
2. Compressed back cushions and pillows need to be fully fulfilled within 72 hours for your perfect use.
3. Please keep children away from plastic bags or any small pieces of stuff.

STEP 10: Place all cushions and all throw pillow on the sofa.

