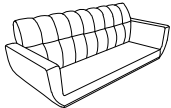
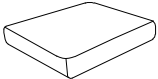

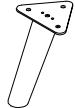

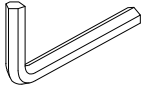
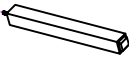




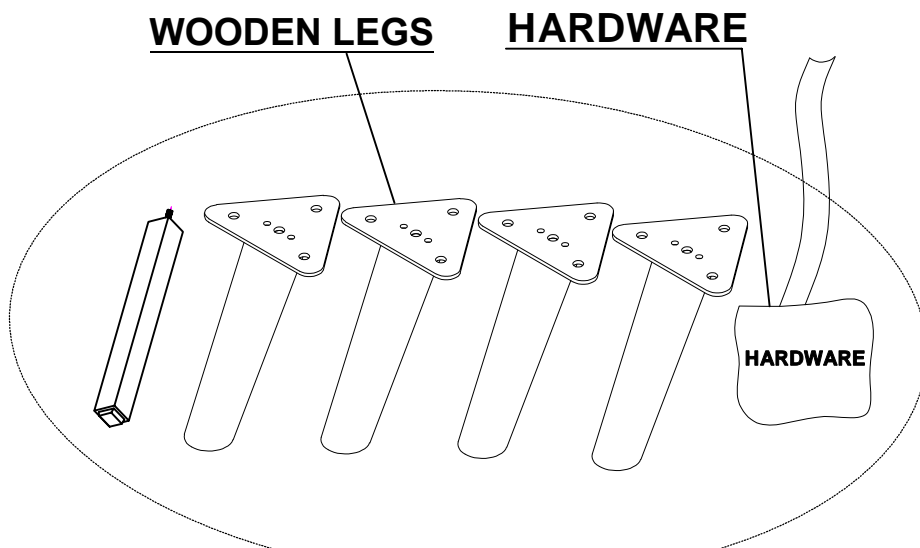
Legs & hardware are stored under the seat cushion, please take out the legs and hardware for assembly.

Note: Do not use power tools for assembly. Power tools increase the risk of over tightening which lead to splitting or cracking the wood.

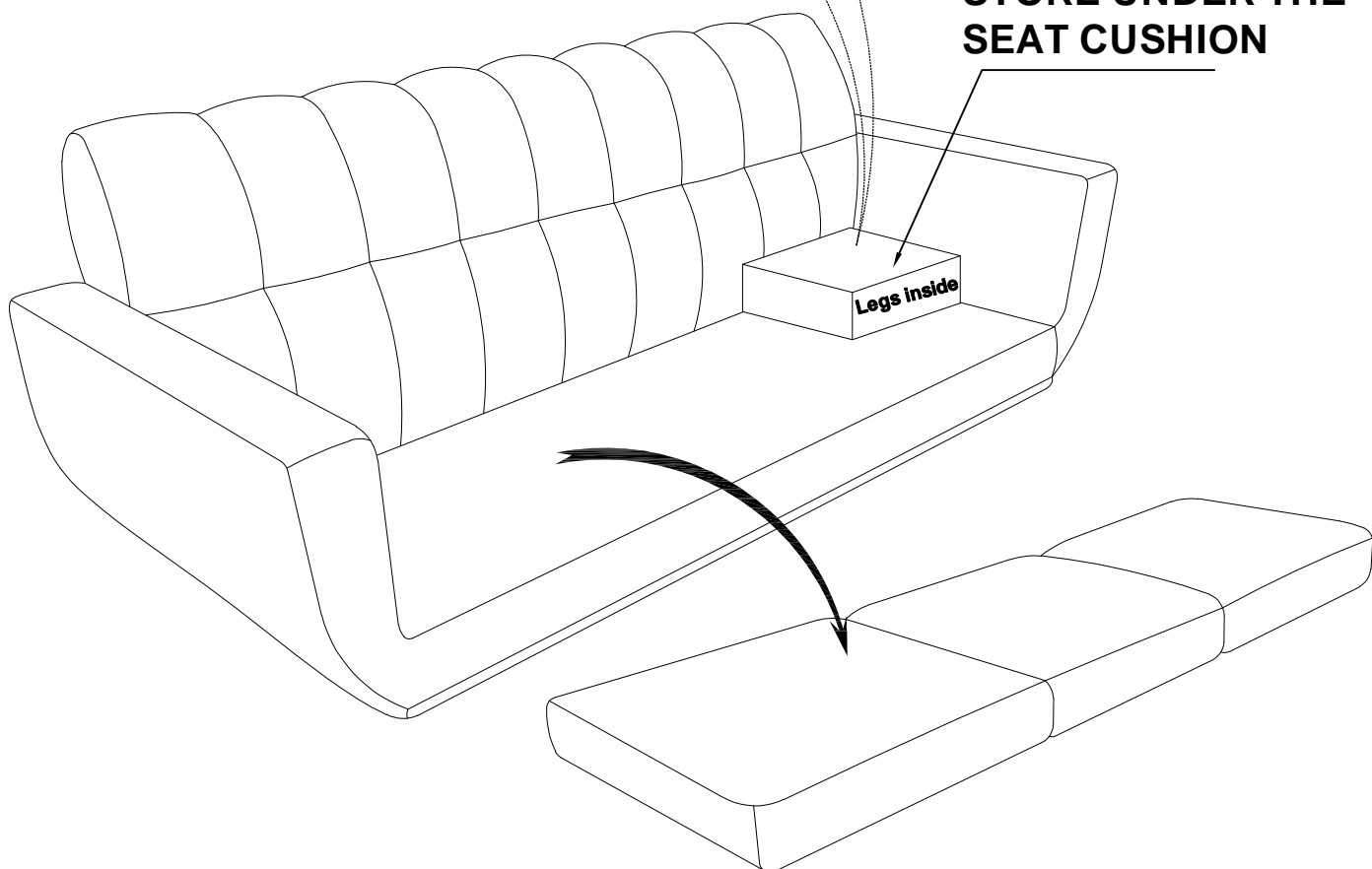
Component list

| No | Drawing | Qty | Description |
|----------|---|-----------|--|
| A |  | 1 | Sofa |
| B |  | 3 | Seat cushions |
| C |  | 2 | Pillows |
| D |  | 4 | Wooden legs (Ø40*Ø35*148mm) |
| E |  | 12 | Bolt (1/4*25mm) |
| F |  | 1 | Allen key (M4*59mm) |
| G |  | 1 | Support leg (30*30*148mm) |

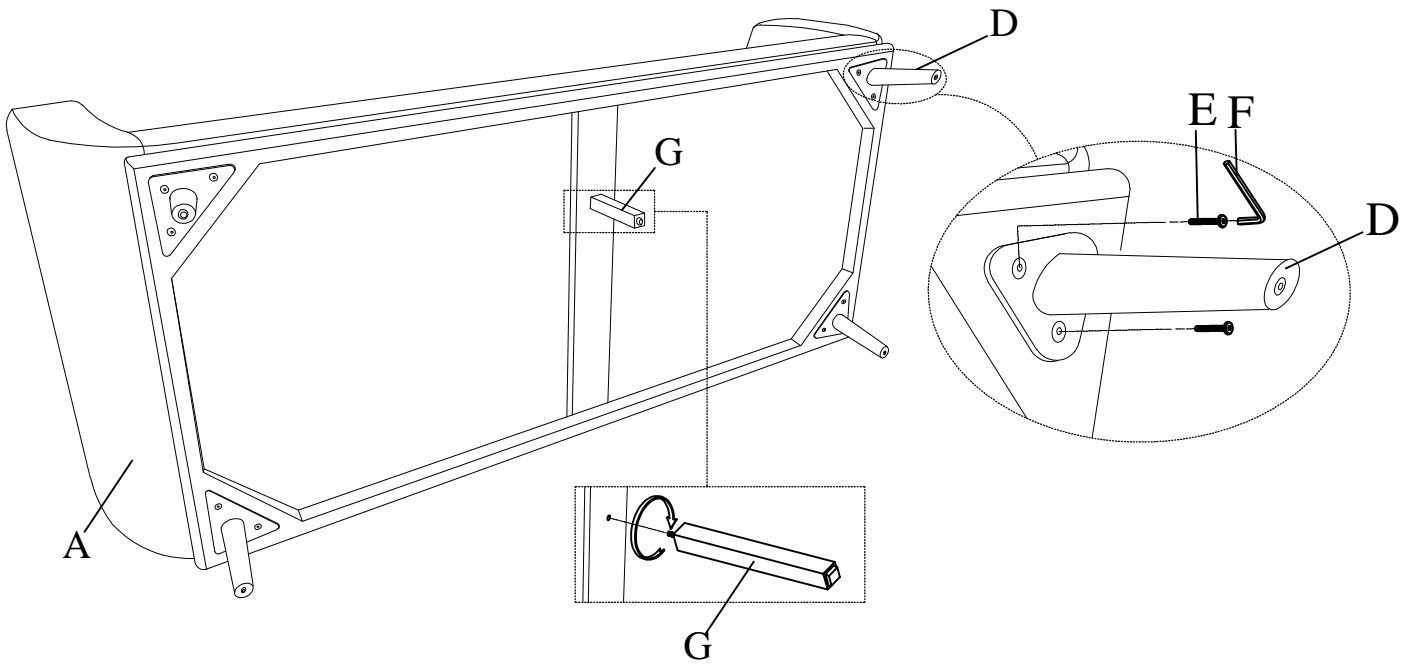
THE PARTS ARE LOCATED INSIDE THE BOX AS BELOW:



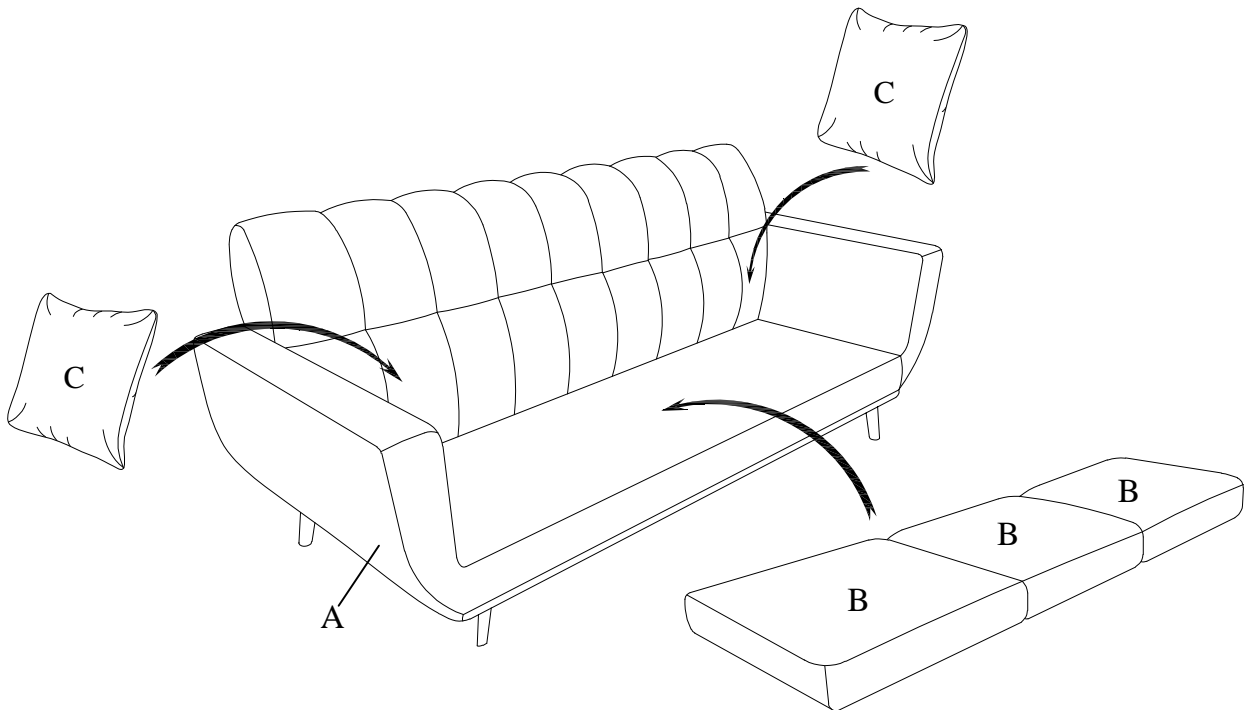
**WOODEN LEGS AND
HARDWARE
STORE UNDER THE
SEAT CUSHION**



Step #1

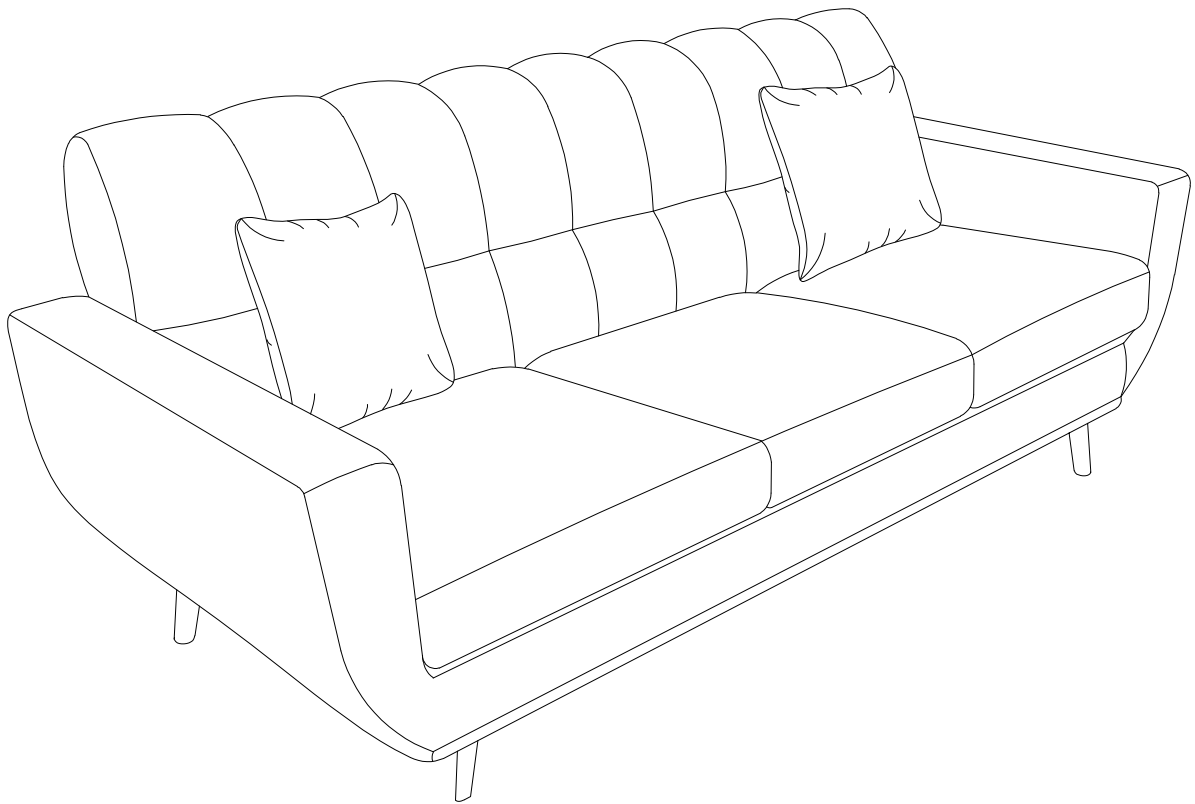


Step #2



Step #3

Assembly completed.



Care Instruction for chenille fabric Furniture:

In order to maintain the original appearance of your chenille fabric, please follow below simple care procedures:

- Avoid exposing furniture directly to sunlight or heating and air conditioning outlets. Sunlight and/or exposure to heating and air conditioning outlets will fade/damage chenille fabrics. Do not place your upholstered furniture too close to windows, radiators, or vents, and be sure to use windows, radiators, or vents.
- Vacuum or wipe with a soft cloth to remove dust.
- Hardware may loosen over time. Periodically check to make sure all connections are tight. Re-tighten if necessary.



For items use on wooden floor, hard surfaces or carpets, it is recommended to Install protective pads under all legs and supports to avoid/prevent from damages/scratches and discoloration.