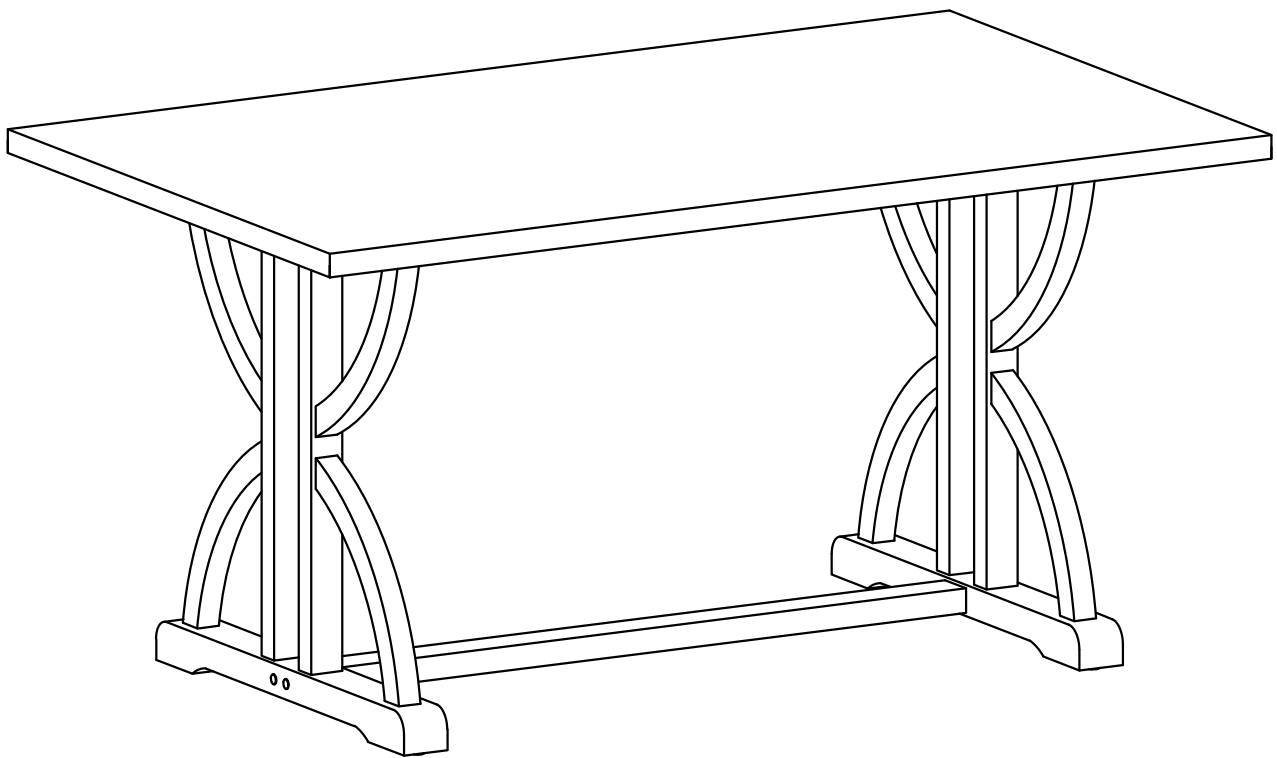


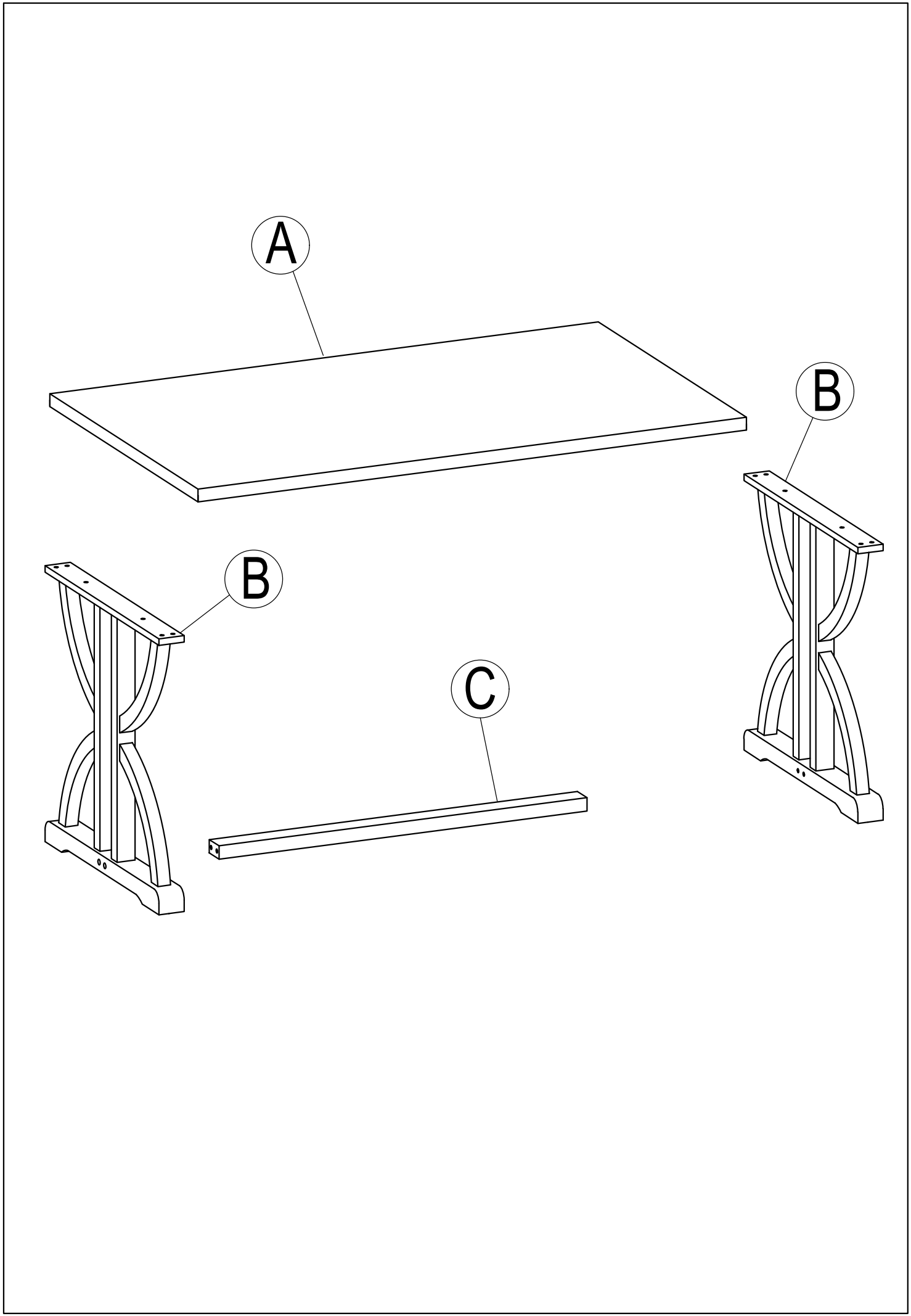
ASSEMBLY INSTRUCTIONS

ITEM NO.WF311399



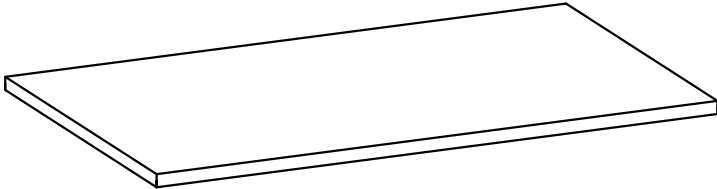
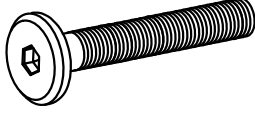
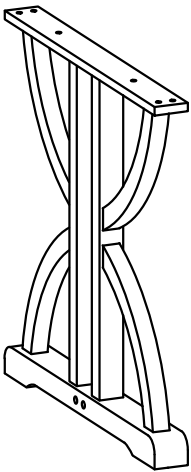
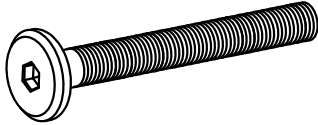
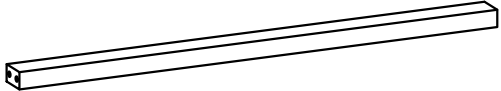

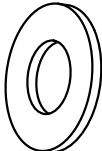



IMPORTANT NOTE :

- ① PLACE ALL PARTS ON A CLEAN AND SMOOTH SURFACE SUCH AS A RUG OR CARPET TO AVOID THE PARTS FROM BEING SCRATCHED.
- ② BEFORE YOU BEGIN,KINDLY FOLLOW THE ASSEMBLY INSTRUCTIONS STEP BY STEP.
- ③ DO NOT TIGHTEN ALL SCREWS AND BOLTS UNTIL THE TABLE IS FULLY SET-UP.

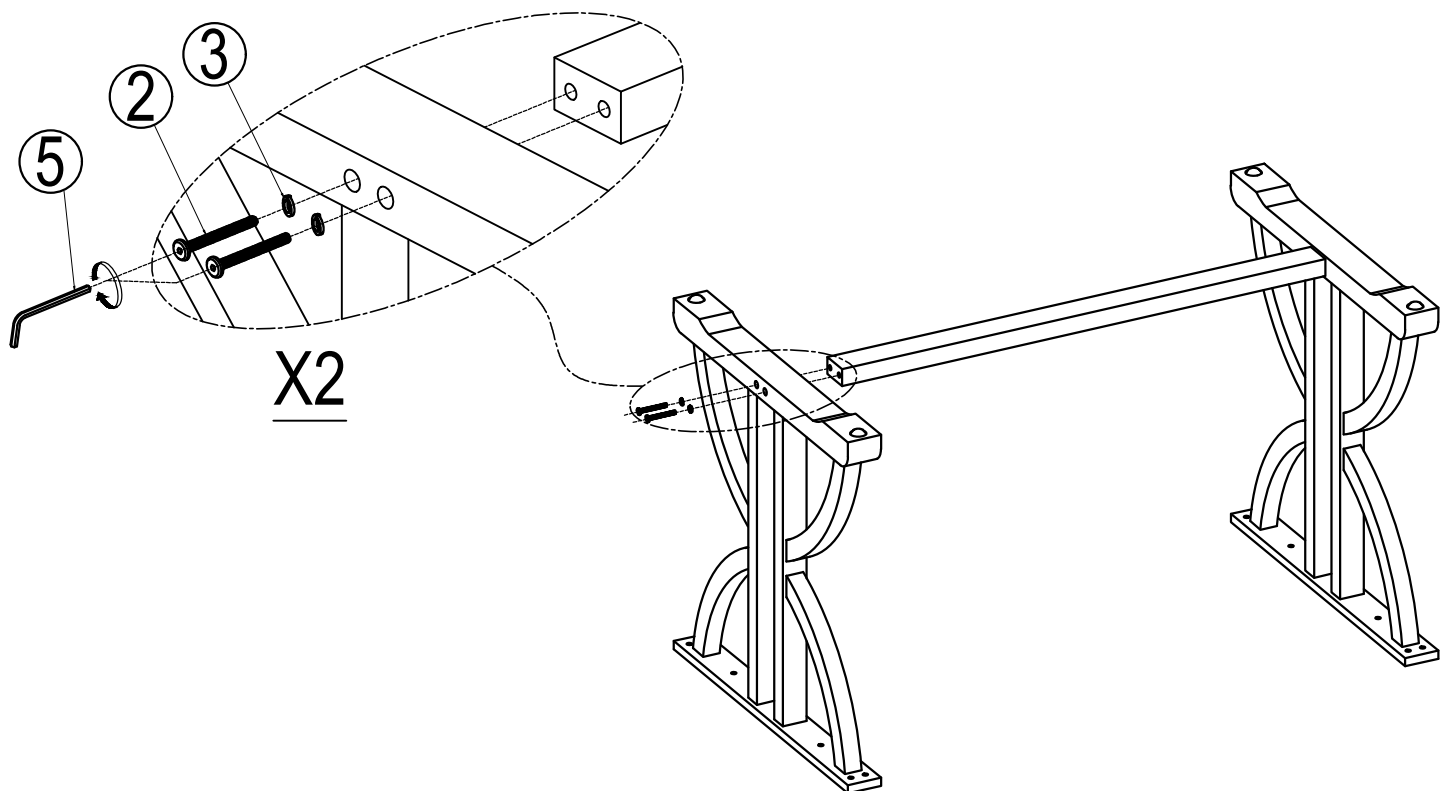


Part List

Hardware List

<p>Ⓐ</p> 	<p>①</p>  <p>Ø 5/16" x 35 mm</p>
<p>TABLE TOP(1 pc)</p>	<p>BOLT (12 pcs)</p>
<p>Ⓑ</p> 	<p>②</p>  <p>Ø 5/16" x 65 mm</p>
<p>TABLE LEG (2 pcs)</p>	<p>BOLT (4 pcs)</p>
<p>Ⓒ</p> 	<p>③</p>  <p>Ø5/16" x 13 mm</p>
<p>TABLE LEG (2 pcs)</p>	<p>FLAT WASHER (16 pcs)</p>
<p>Ⓒ</p> 	<p>④</p>  <p>Ø5/16" x 19 mm</p>
<p>TABLE LEG (2 pcs)</p>	<p>LOCK WASHER (12 pcs)</p>
<p>TABLE STRETCHER (1 pc)</p>	<p>⑤</p>  <p>4 mm</p> <p>ALLEN KEY (1 pc)</p>
<p>TABLE STRETCHER (1 pc)</p>	<p>⑥</p>  <p>WOOD PLUG (4pcs)</p>

STEP 1:



STEP 2:

