

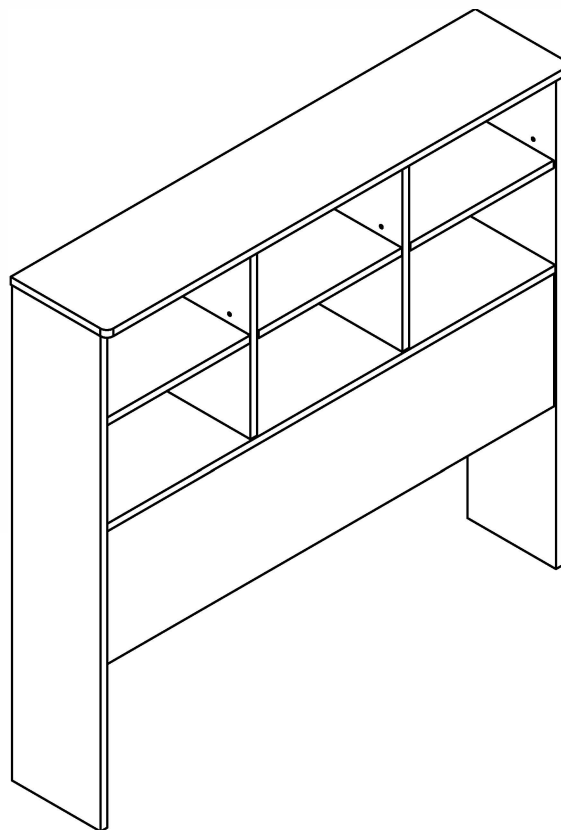
ASSEMBLY INSTRUCTION

PLEASE READ BEFORE ASSEMBLING!

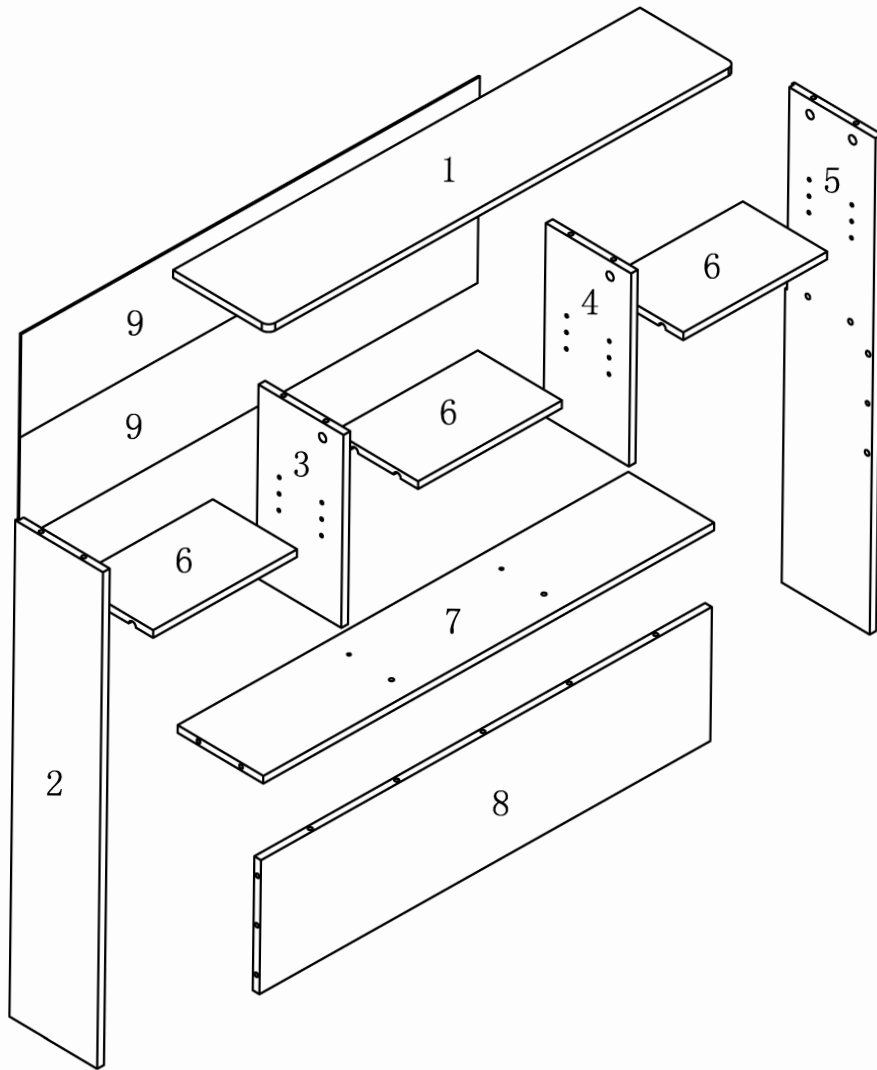
Tip #1: Make sure you've taken all the pieces and hardware out of its packaging before discarding the box. Assembly on top of flattened box/blanket is recommended.

Tip #2: Using page 2 and/or page 3 of instruction manual make sure all pieces and hardware are accounted for.

Tip #3: Note position of all holes on each panel during assembly.

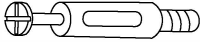

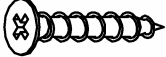




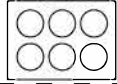



PARTS IDENTIFICATION

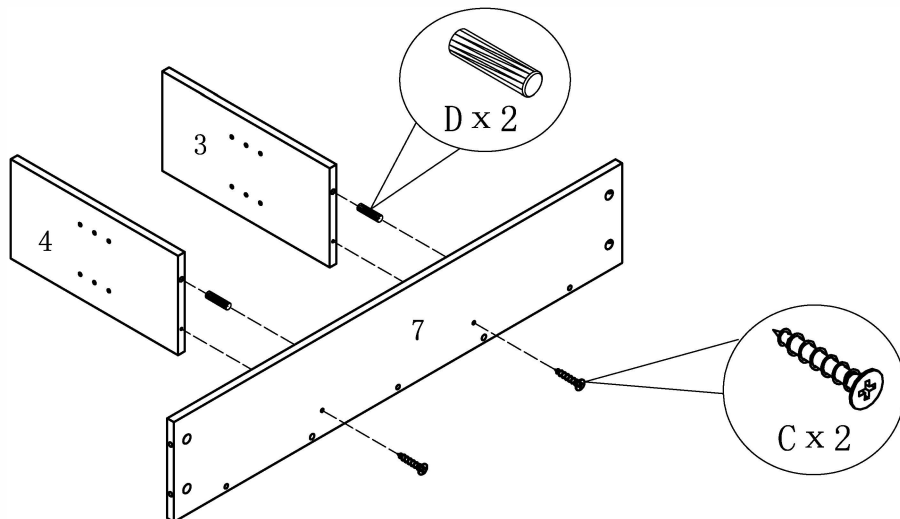


(1)	1pc	(6)	3pcs
(2)	1pc	(7)	1pc
(3)	1pc	(8)	1pc
(4)	1pc	(9)	2pcs
(5)	1pc		

HARDWARE IDENTIFICATION

A		L29	16pcs
B		∅15	16pcs
C		∅4 x 35	2pcs
D		∅8 × 25	9pcs
E		∅5 × 15	12pcs
F		Z1016	28pcs
G		∅16	4pcs
H		∅20	6pcs
I		Glue: For securing please apply to wood dowel first before inserting into panel	1pc

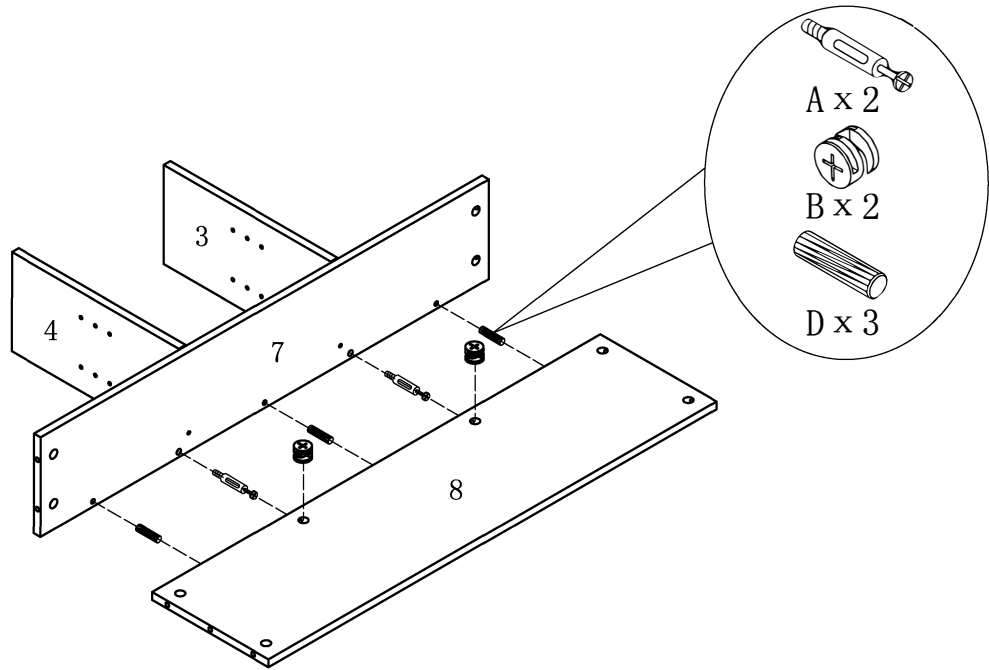
ASSEMBLY INSTRUCTION



STEP1

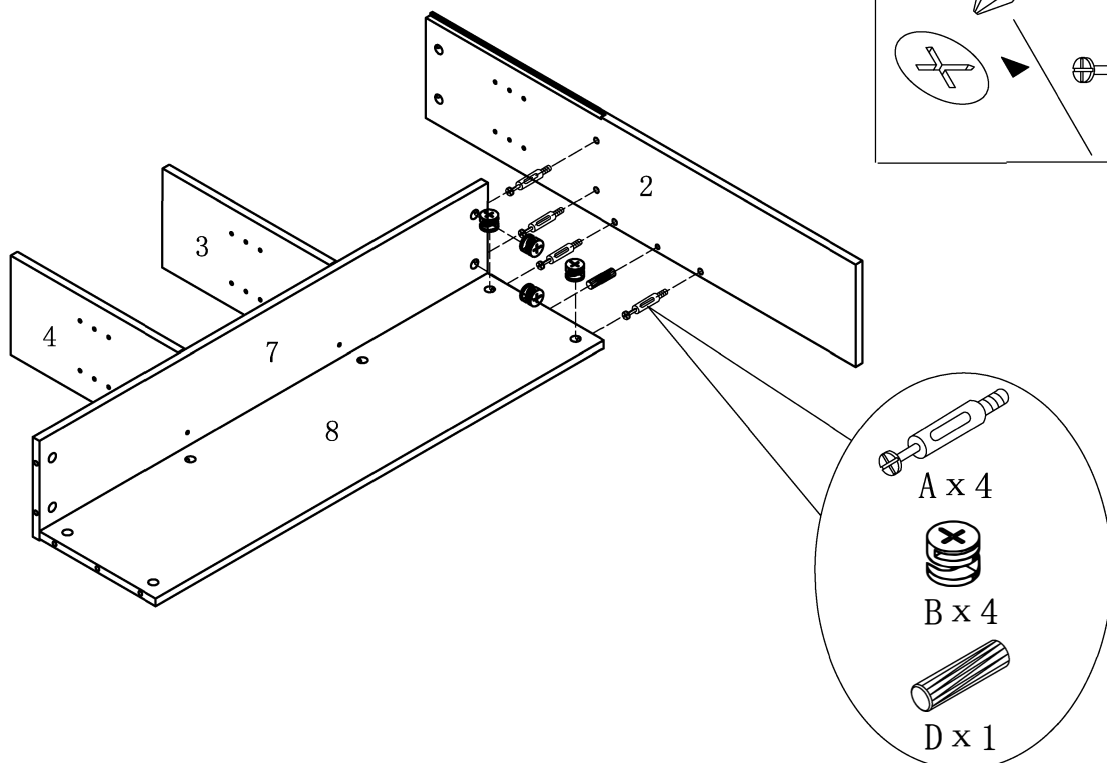
PAGE 3 OF 6

ASSEMBLY INSTRUCTION

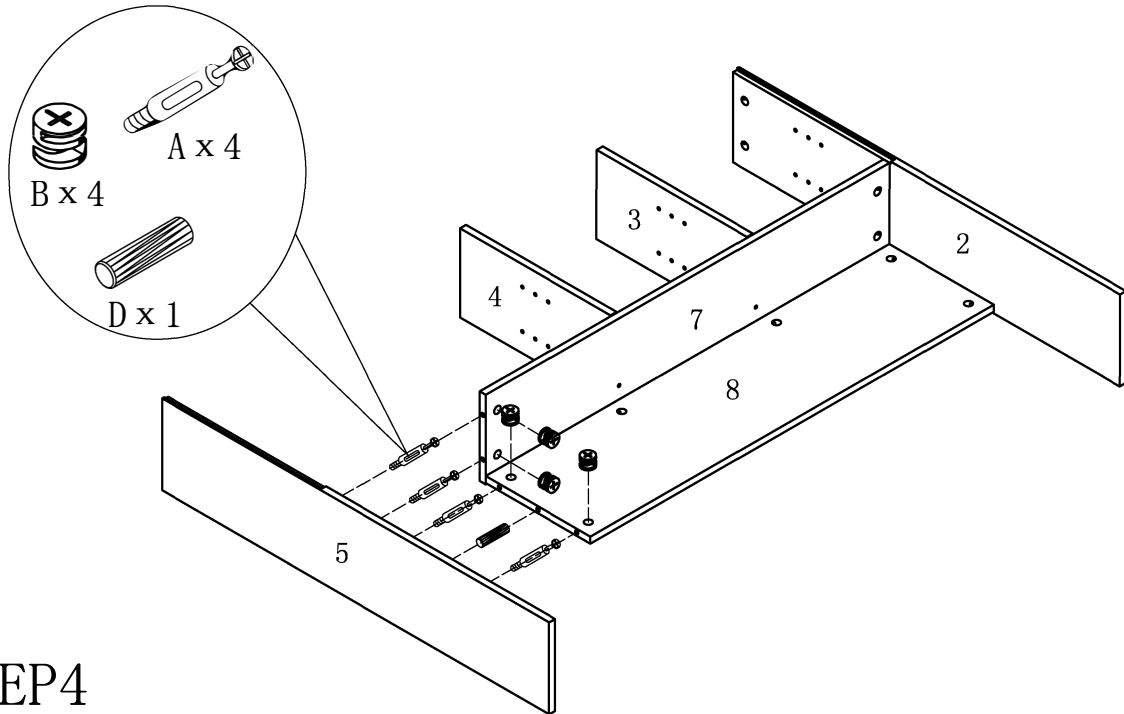


STEP2

STEP3

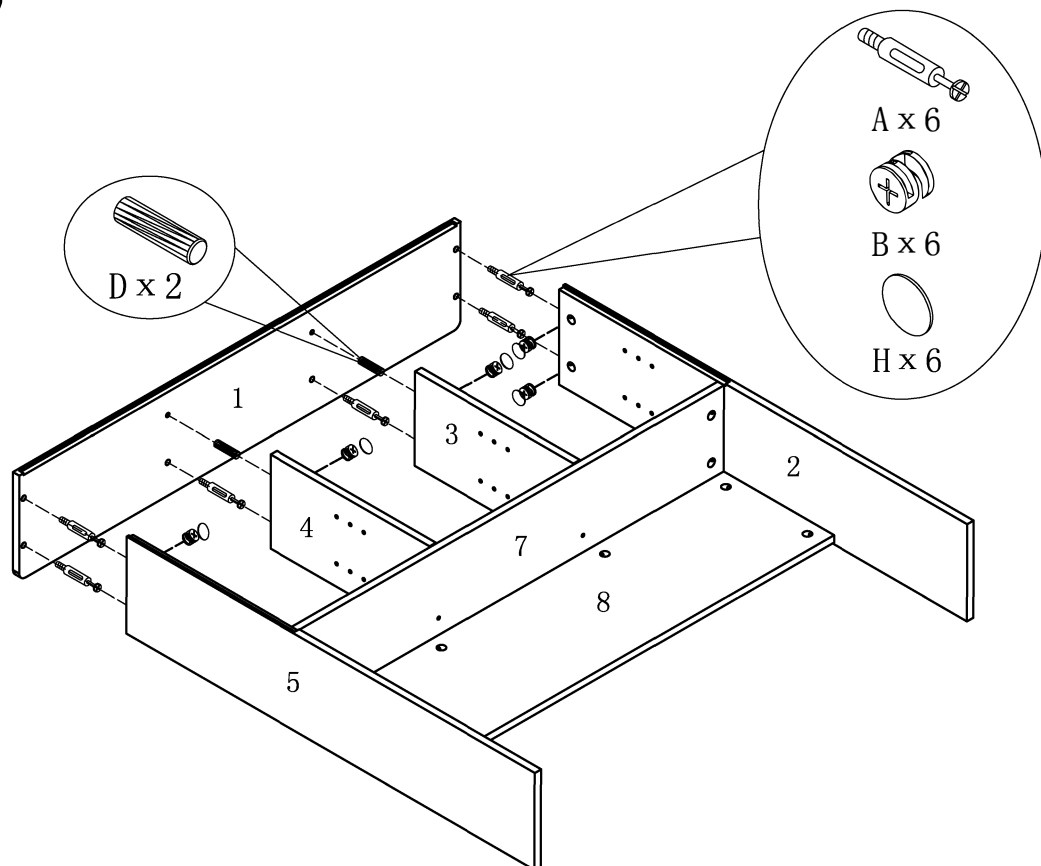


ASSEMBLY INSTRUCTION

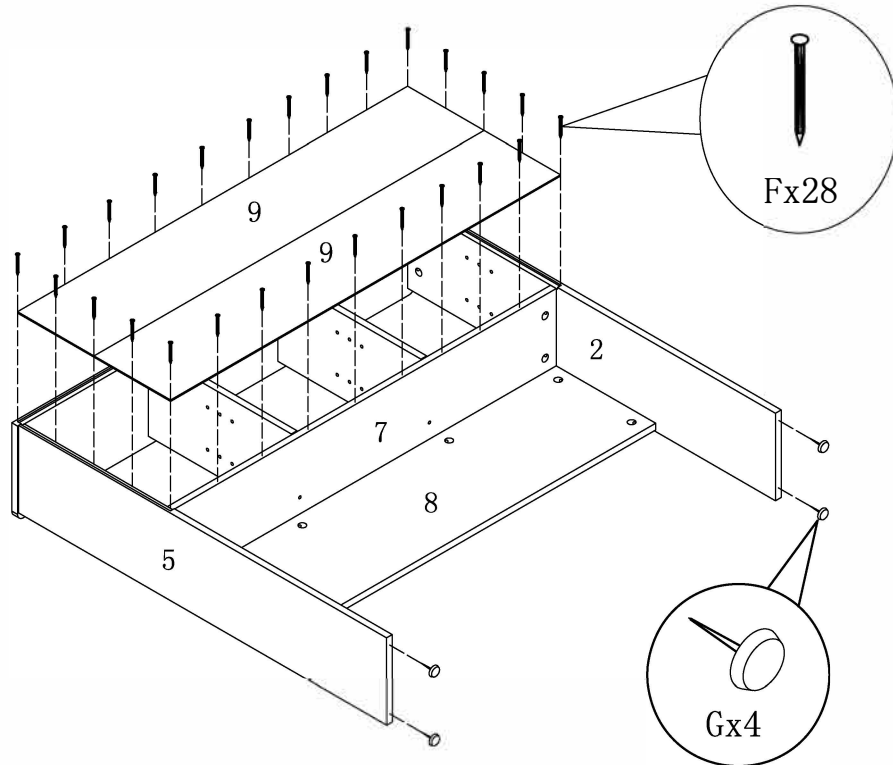


STEP4

STEP5



ASSEMBLY INSTRUCTION



STEP6

STEP7

