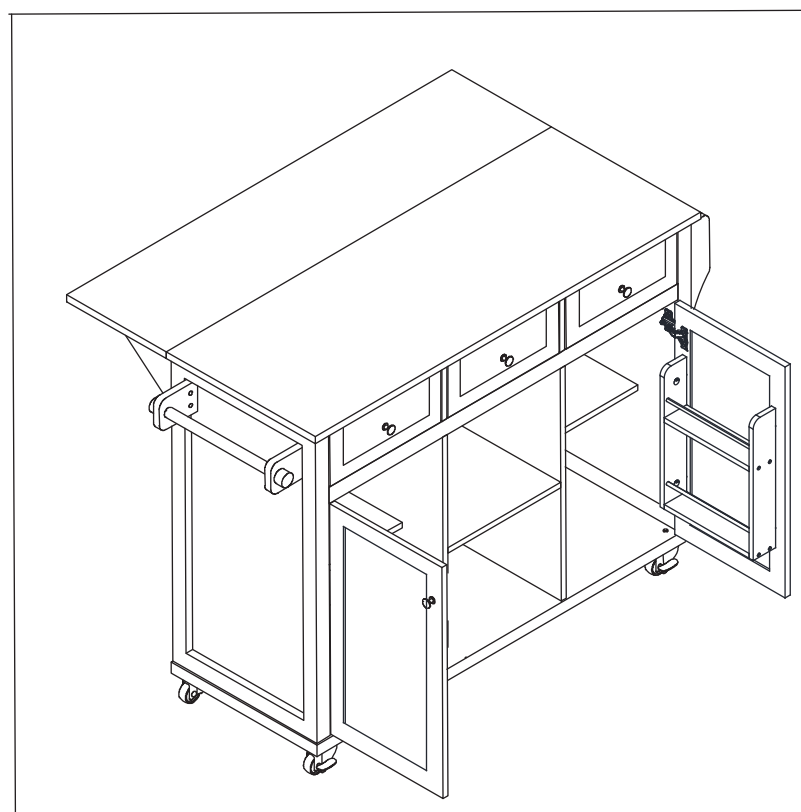
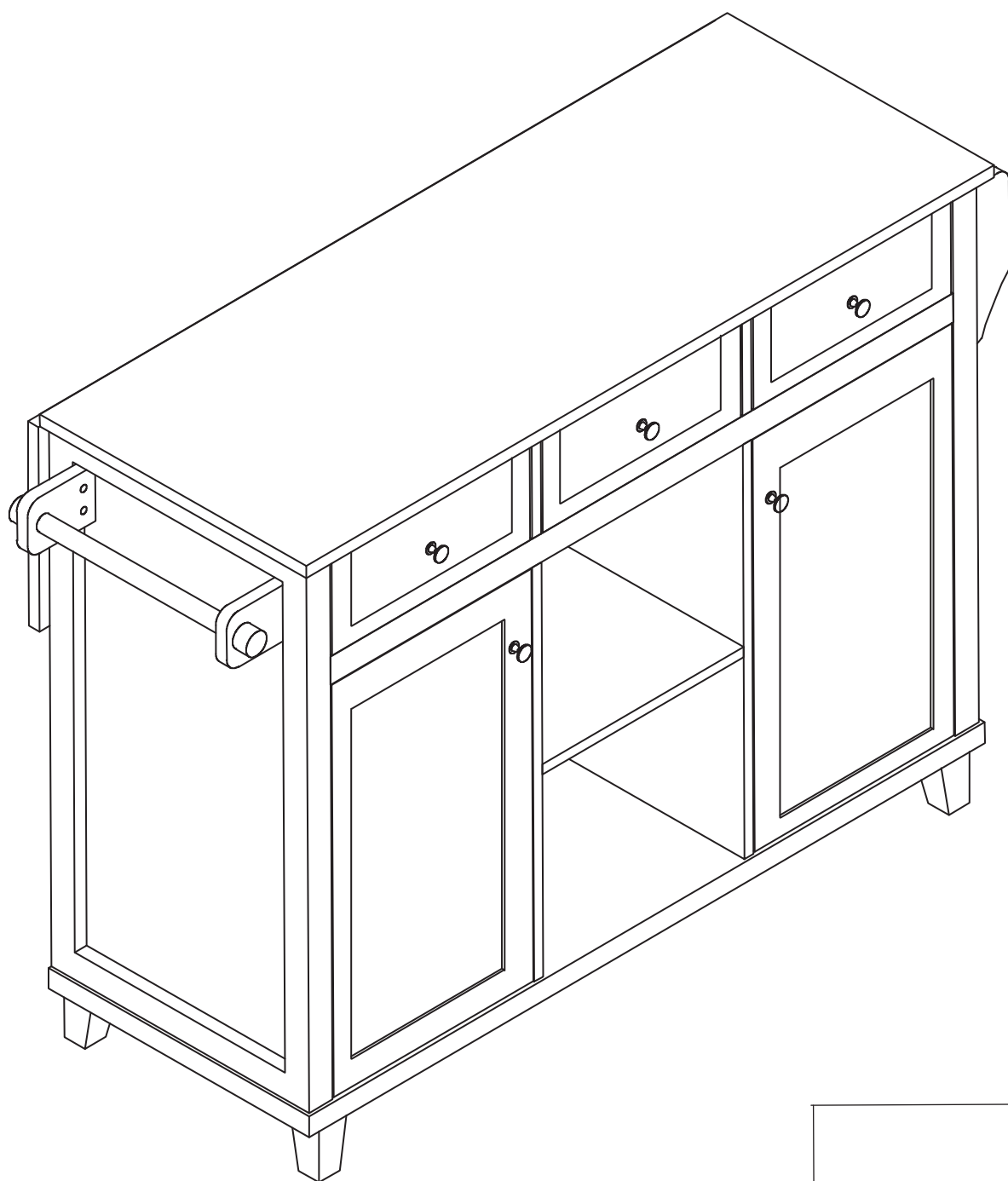
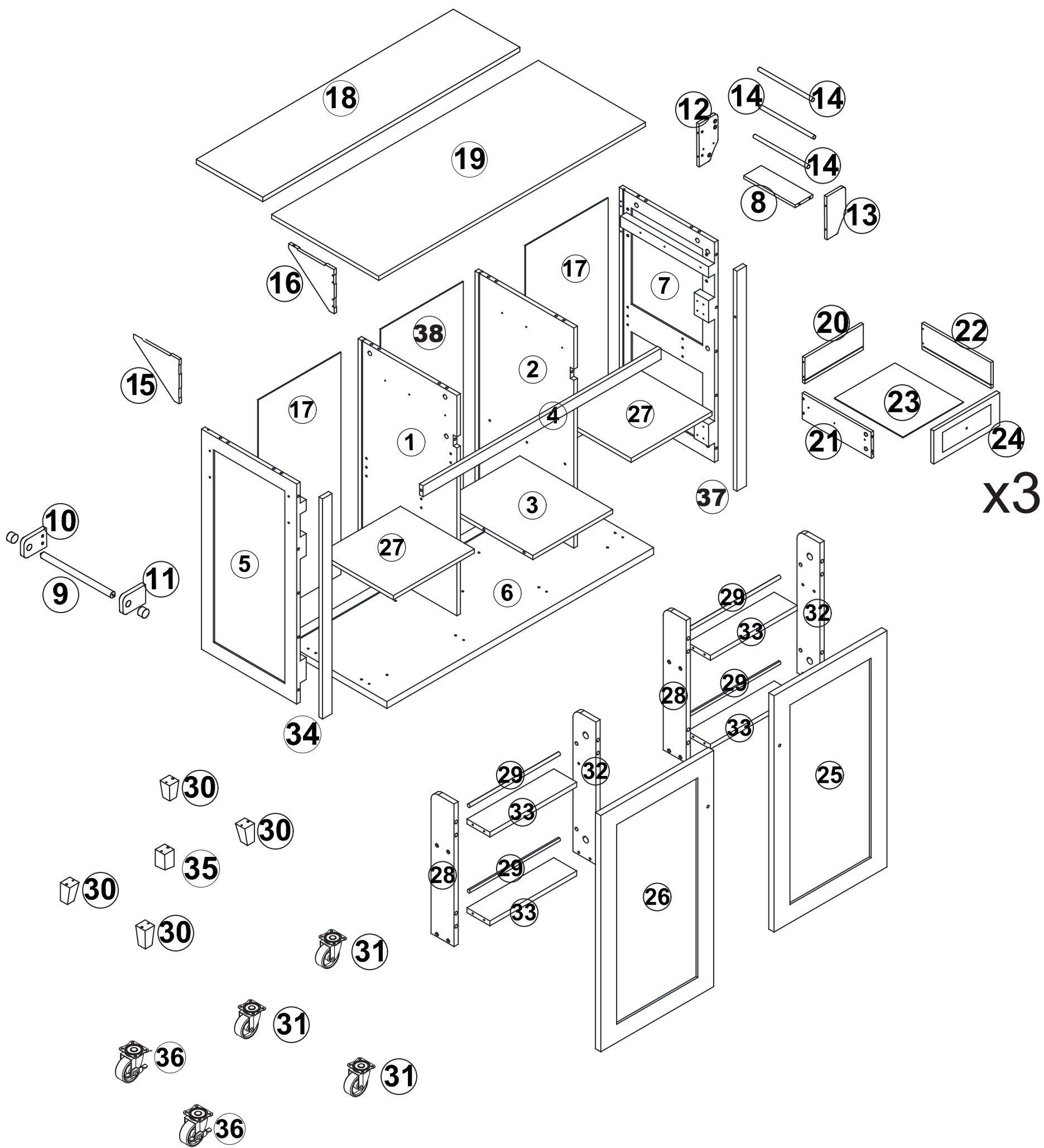
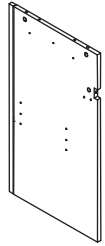
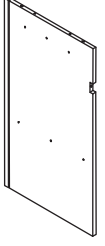
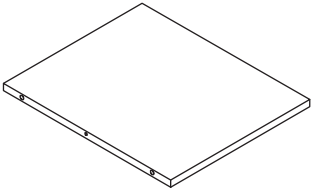
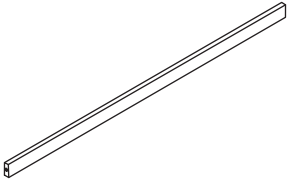
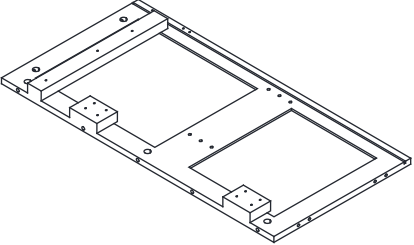
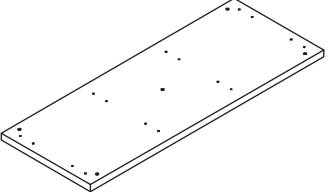
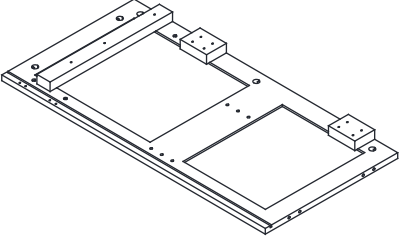
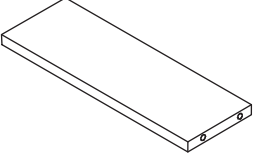
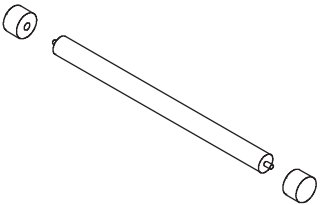
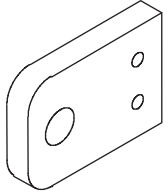
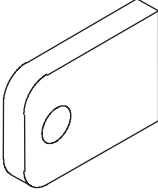
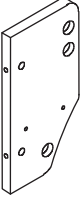

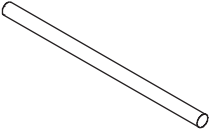
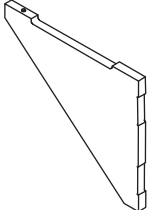
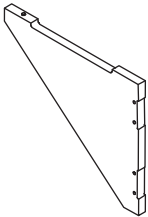

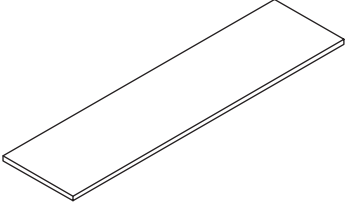
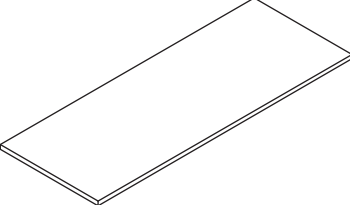
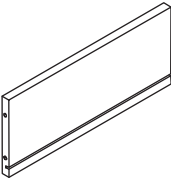
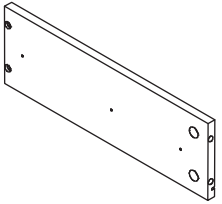

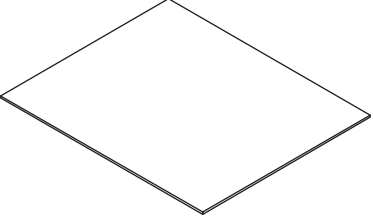
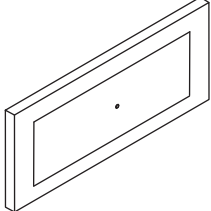
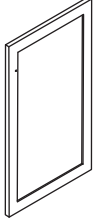
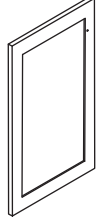
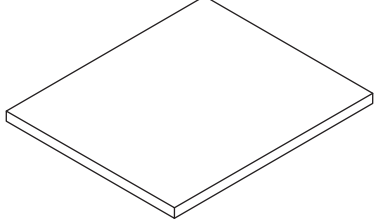
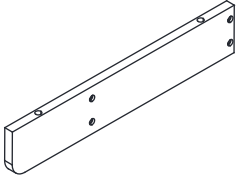


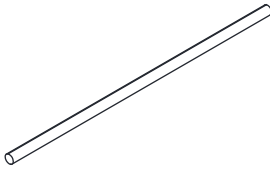
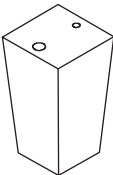
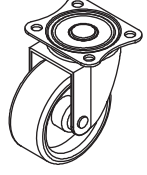
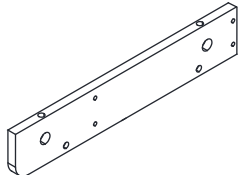
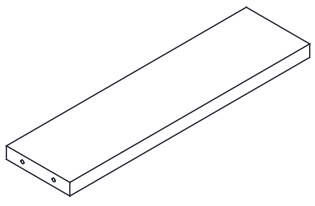
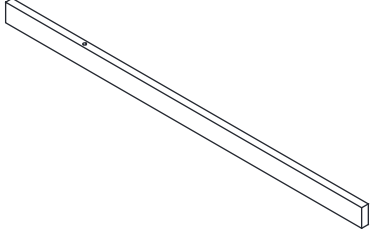
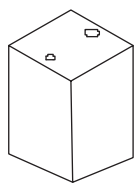
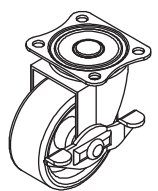
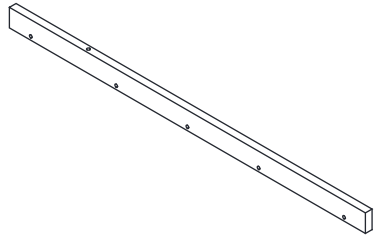

ASSEMBLY INSTRUCTION

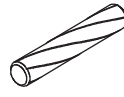
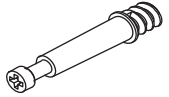

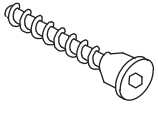
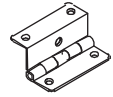
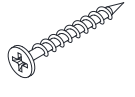

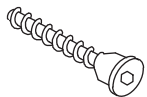



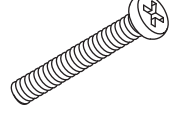
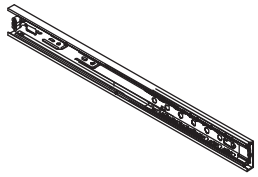
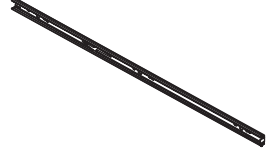
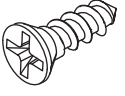
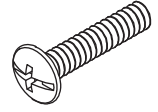
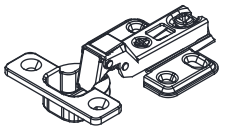

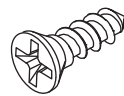

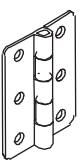
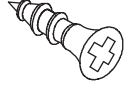
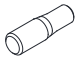
Kitchen Island Cart



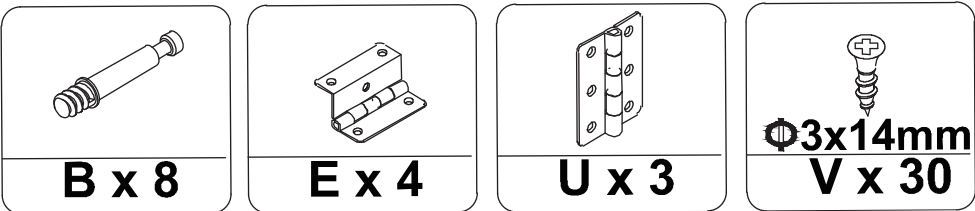
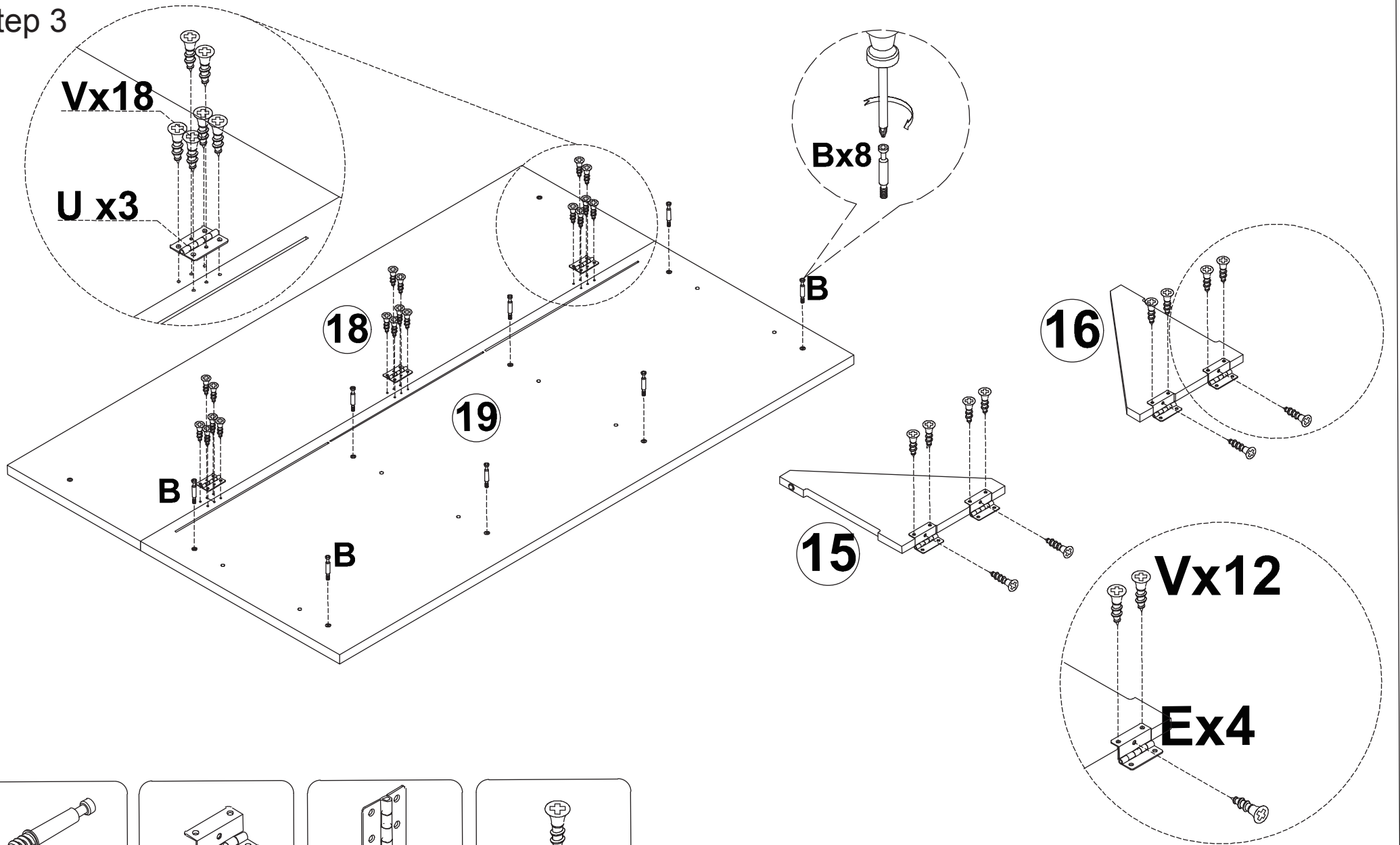


			
① x 1	② x 1	③ x 1	④ x 1
			
⑤ x 1	⑥ x 1	⑦ x 1	⑧ x 1
			
⑨ x 1	⑩ x 1	⑪ x 1	⑫ x 1
			
⑬ x 1	⑭ x 3	⑮ x 1	⑯ x 1
			
⑰ x 2	⑱ x 1	⑲ x 1	⑳ x 3
			
㉑ x 3	㉒ x 3	㉓ x 3	㉔ x 3
			
㉕ x 1	㉖ x 1	㉗ x 2	㉘ x 2

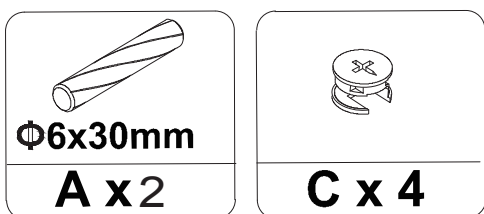
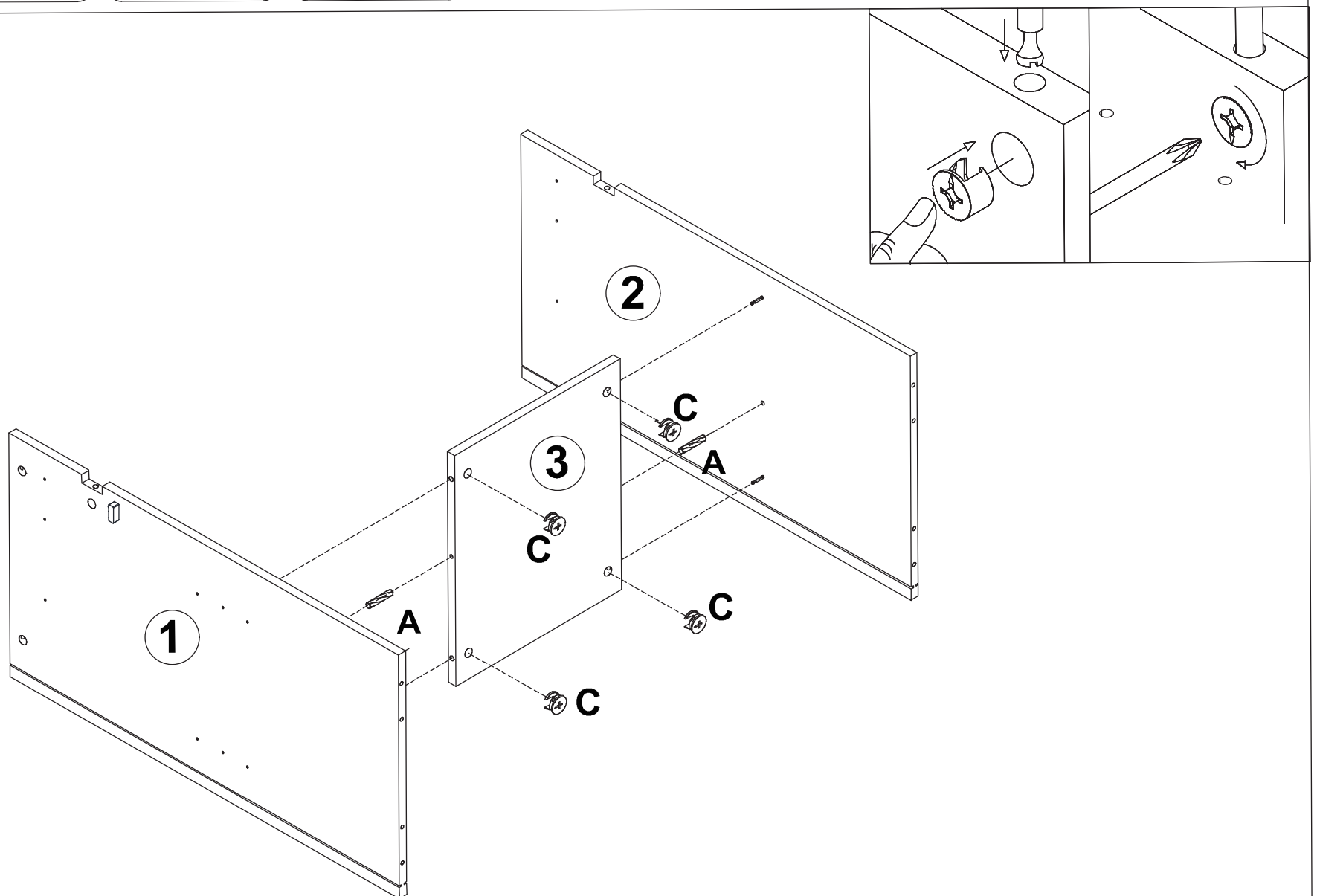
			
29 x 4	30 x 4	31 x 3	32 x 2
			
33 x 4	34 x 1	35 x 1	36 x 2
			
37 x 1	38 x 1		

					
Φ6x30mm			Φ5x50mm		M4x40mm
A x 29	B x 44	C x 44	D x 4	E x 4	F x 4
					
Φ 4x14mm	M5x40mm	Φ4x35mm			M6x45mm
G x 20	H x 5	I x 28	J x 1	K x 8	L x 8
					
M x 6	N x 6	Φ3x12mm O x 36	Φ 4x14mm P x 5	Q x 4	R x 5
					
Φ4x14mm			Φ3x14mm		
S x 24	T x 2	U x 3	V x 38	Wx8	

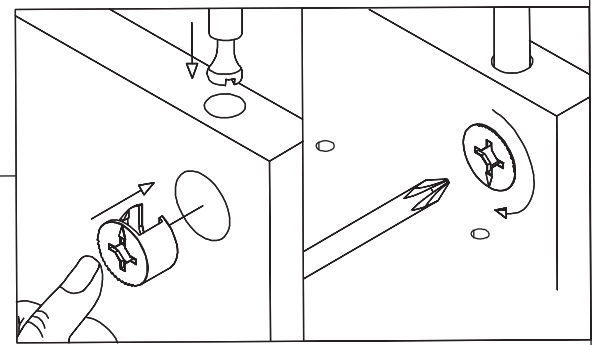
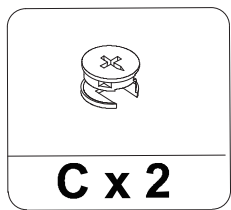
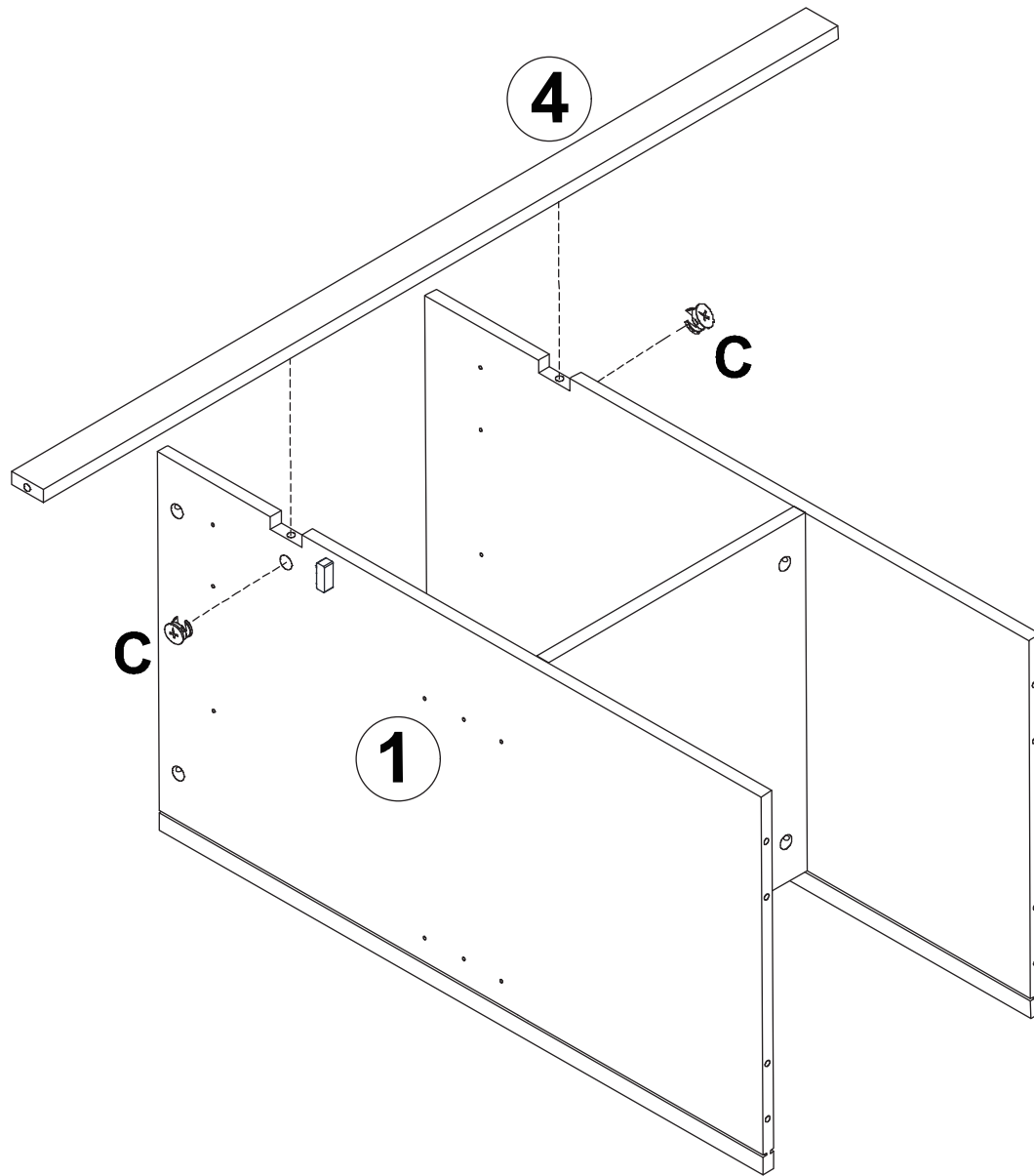
step 3



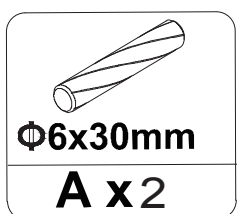
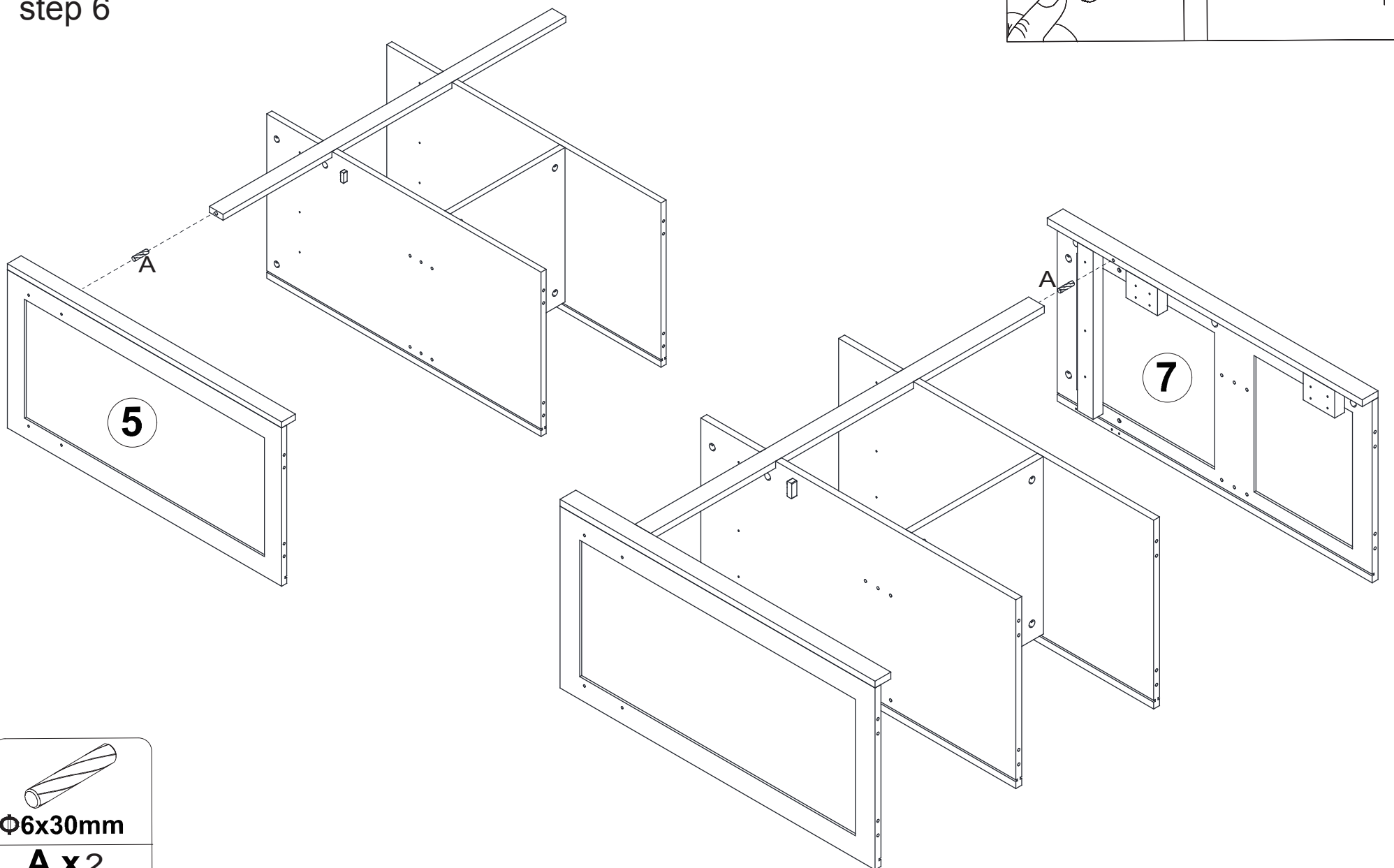
step 4



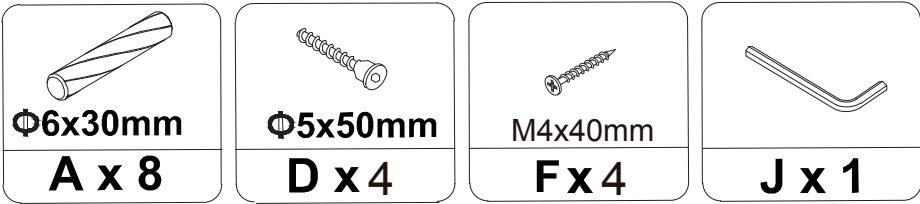
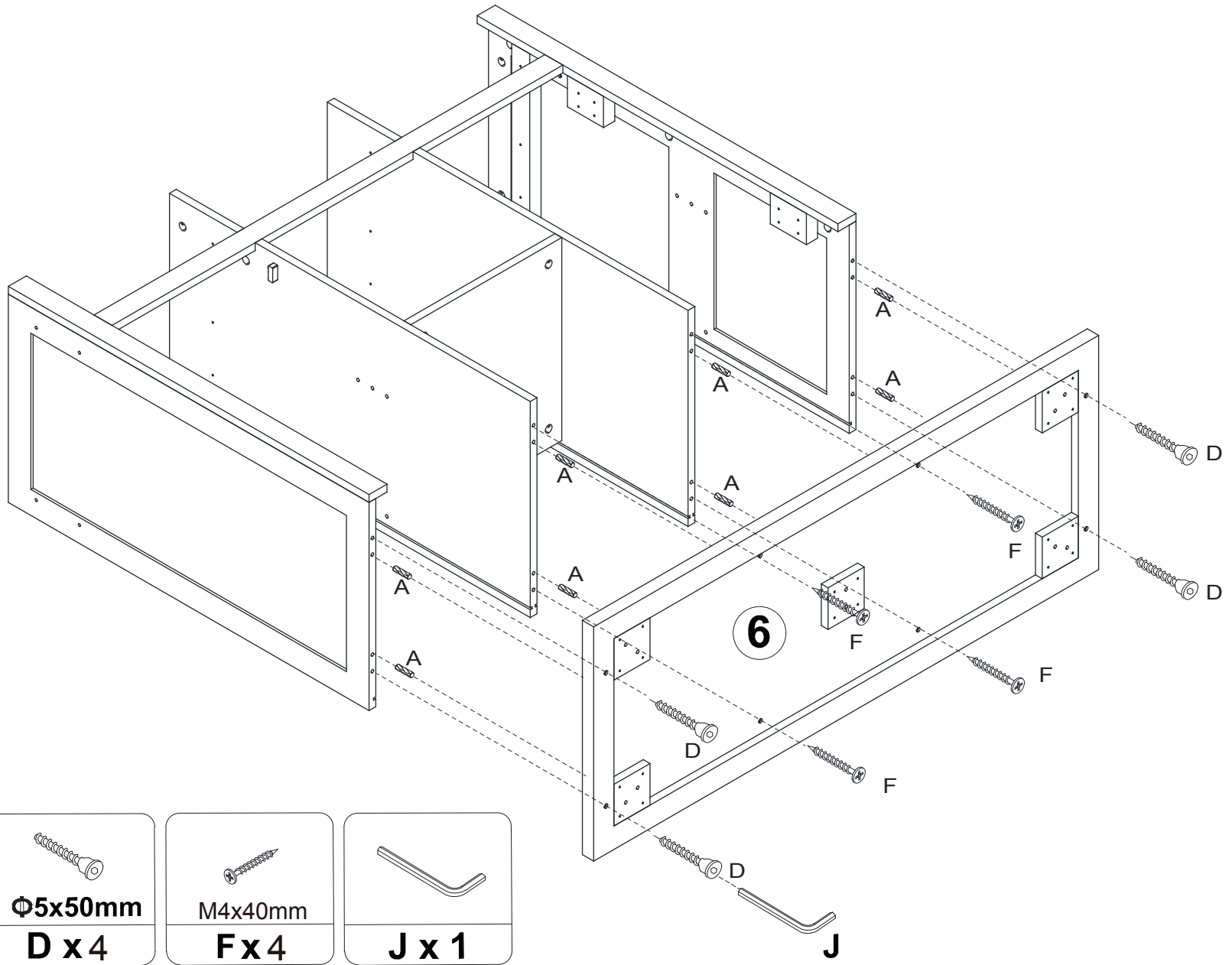
step 5



step 6



step 7

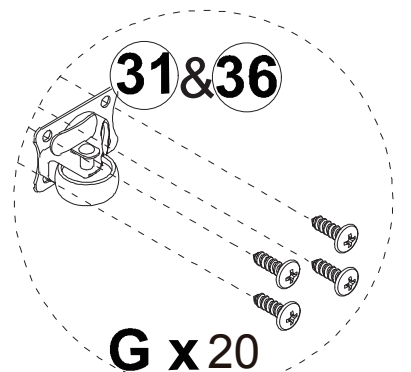
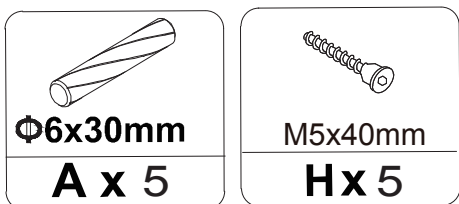
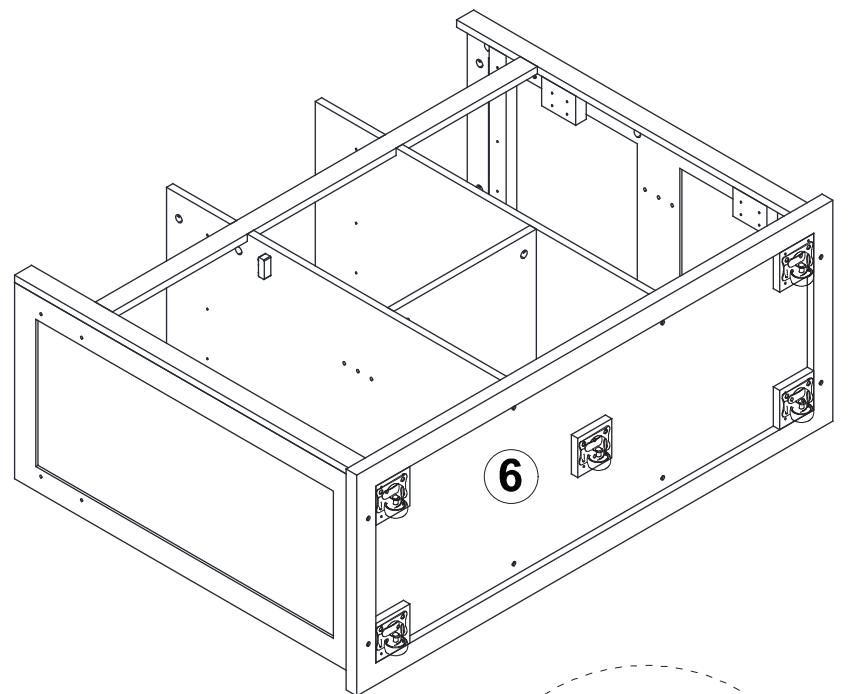
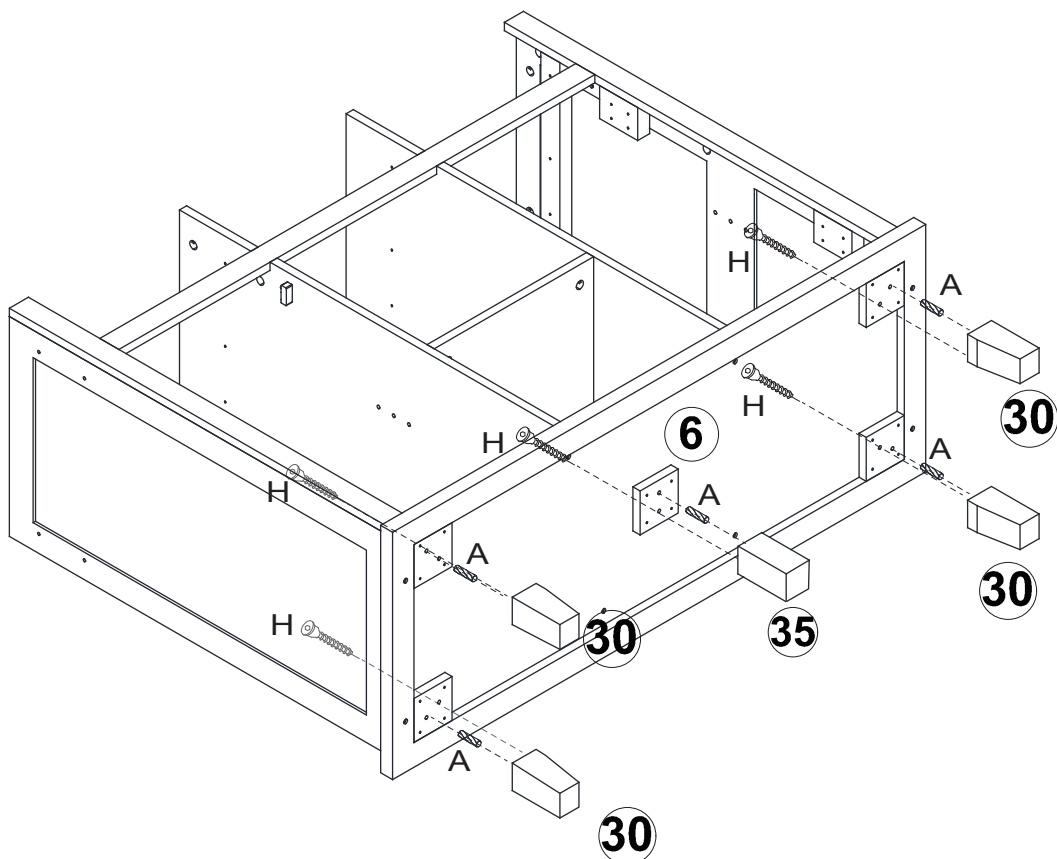


step 8

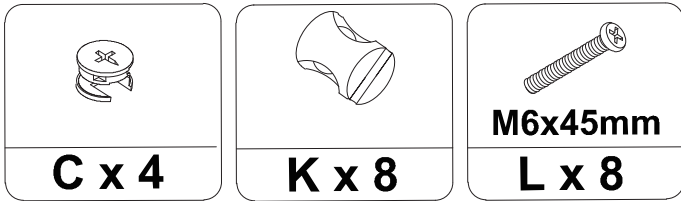
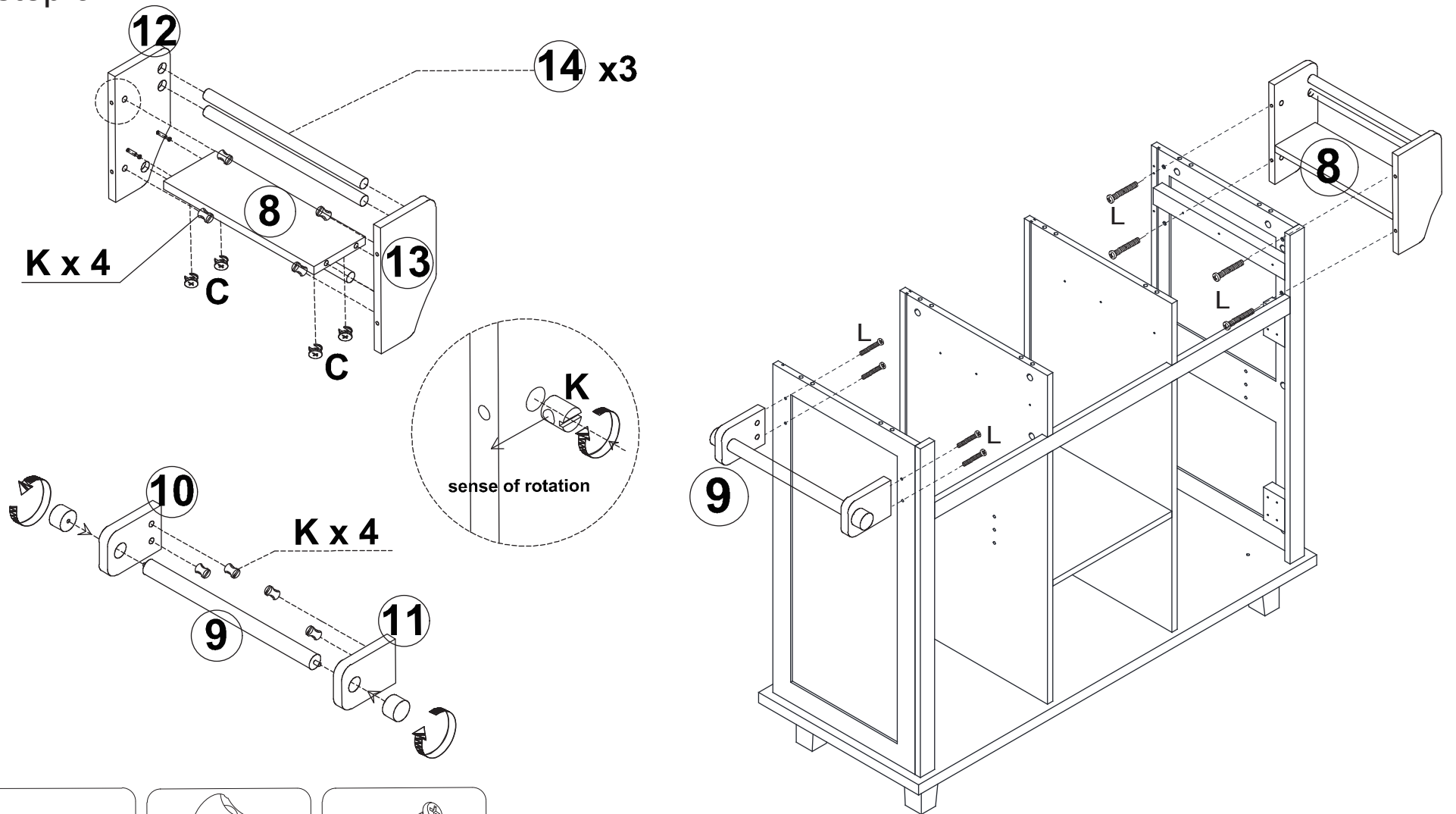
Plan 1

or

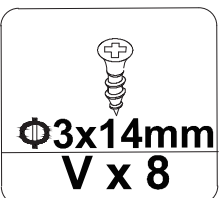
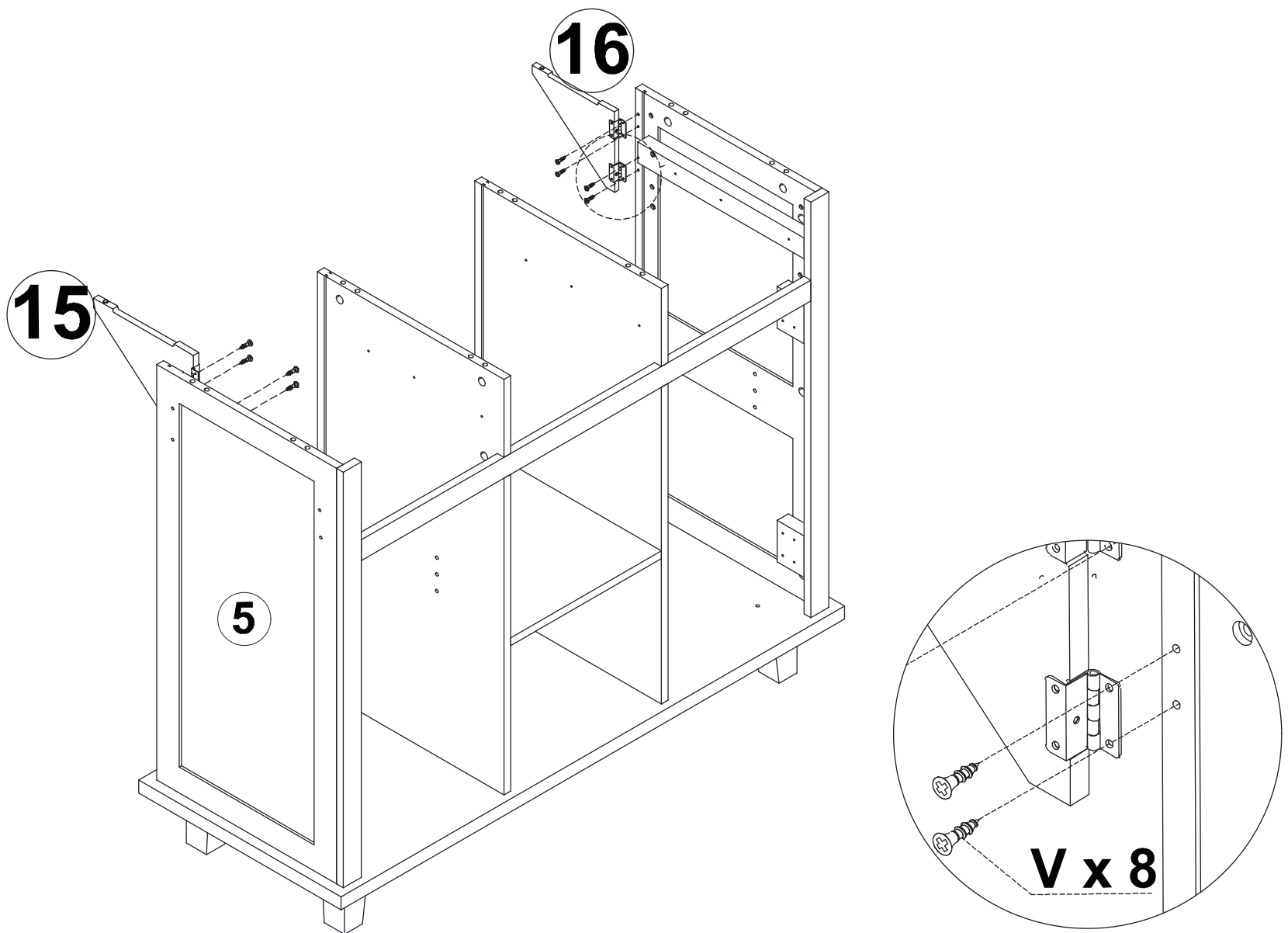
Plan 2



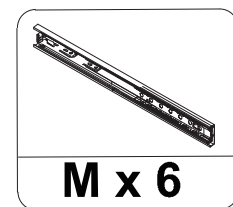
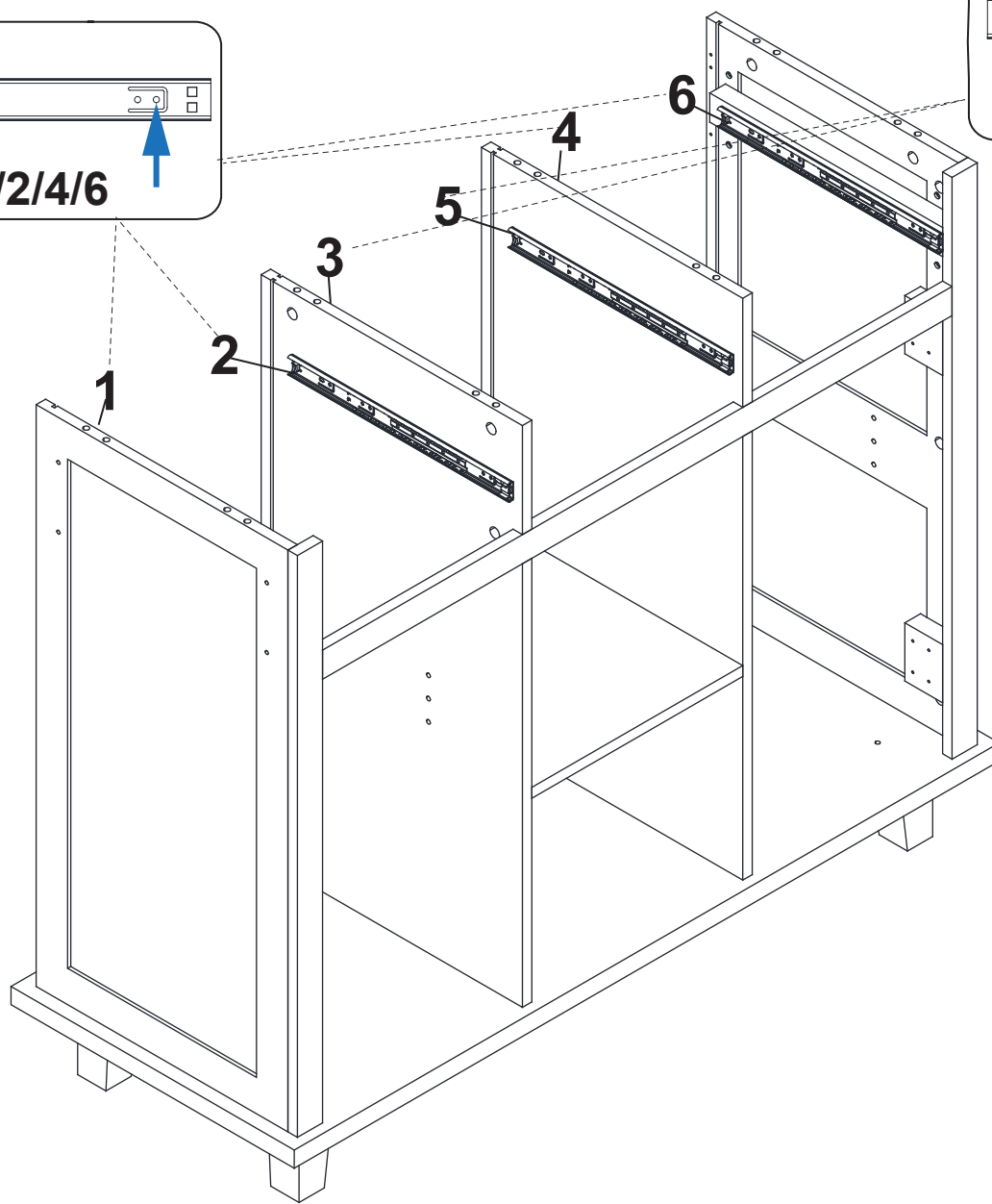
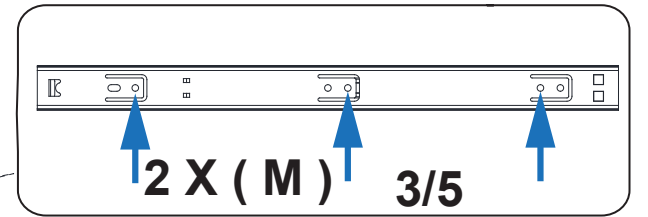
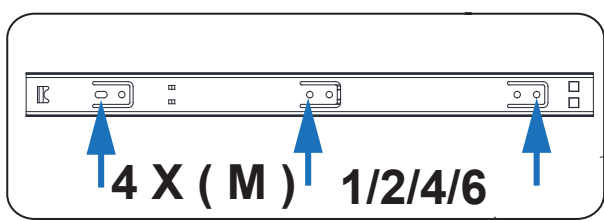
step 9



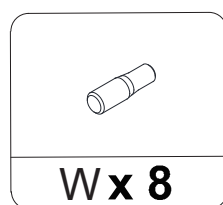
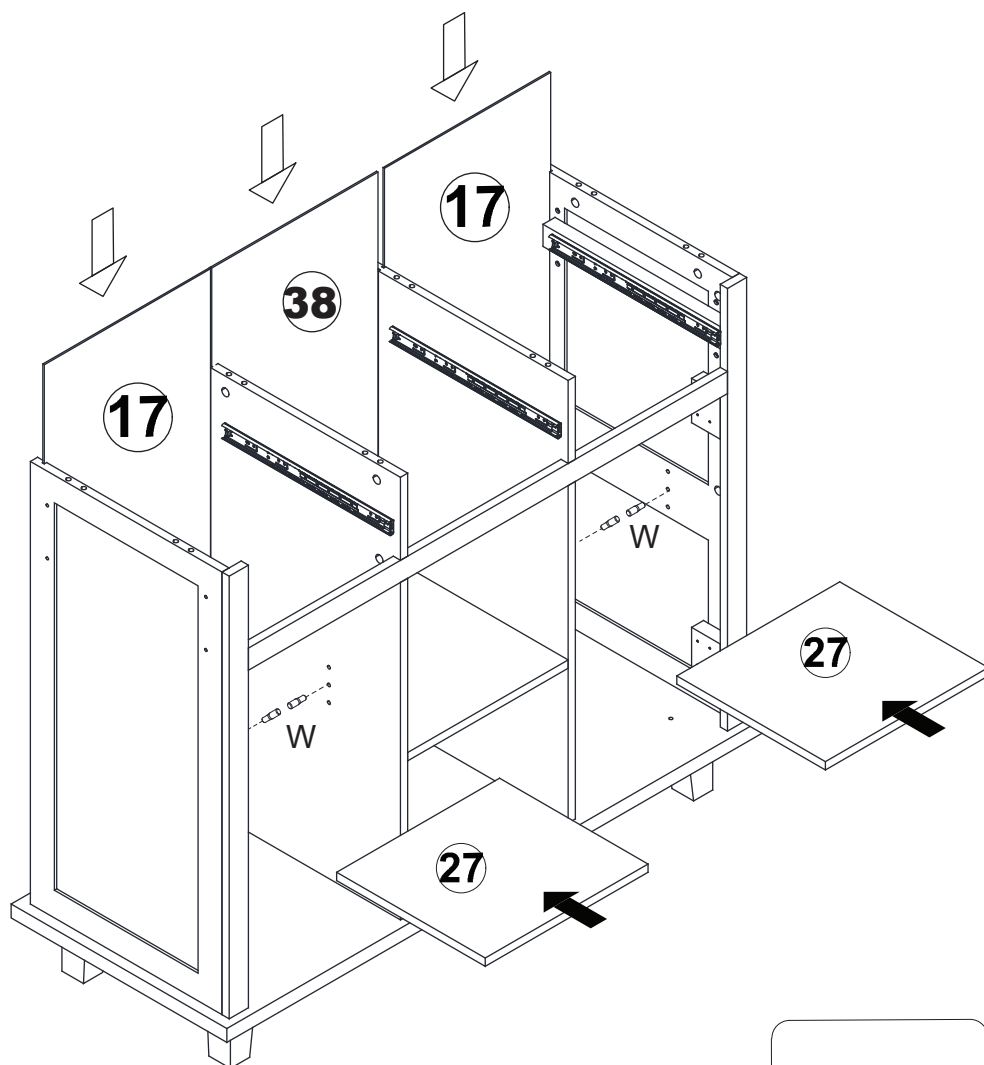
step 10



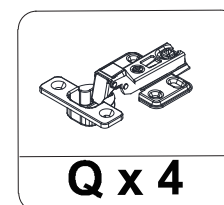
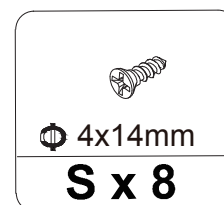
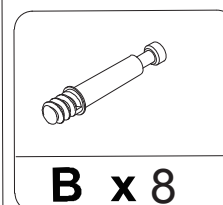
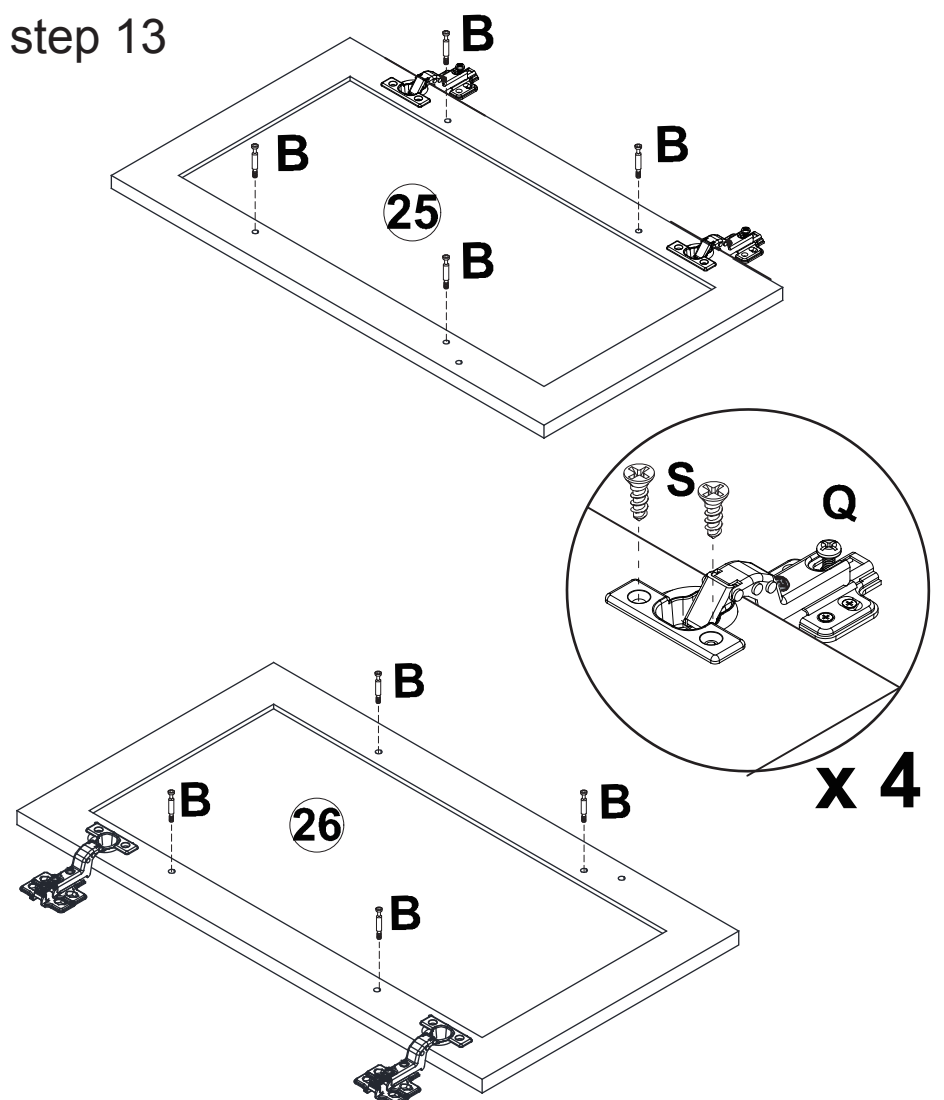
step 11



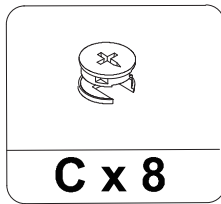
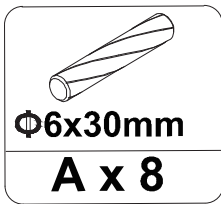
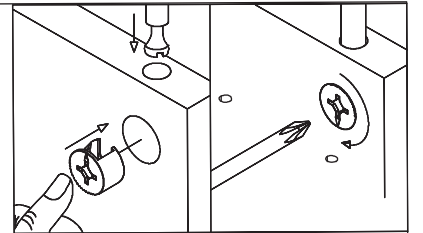
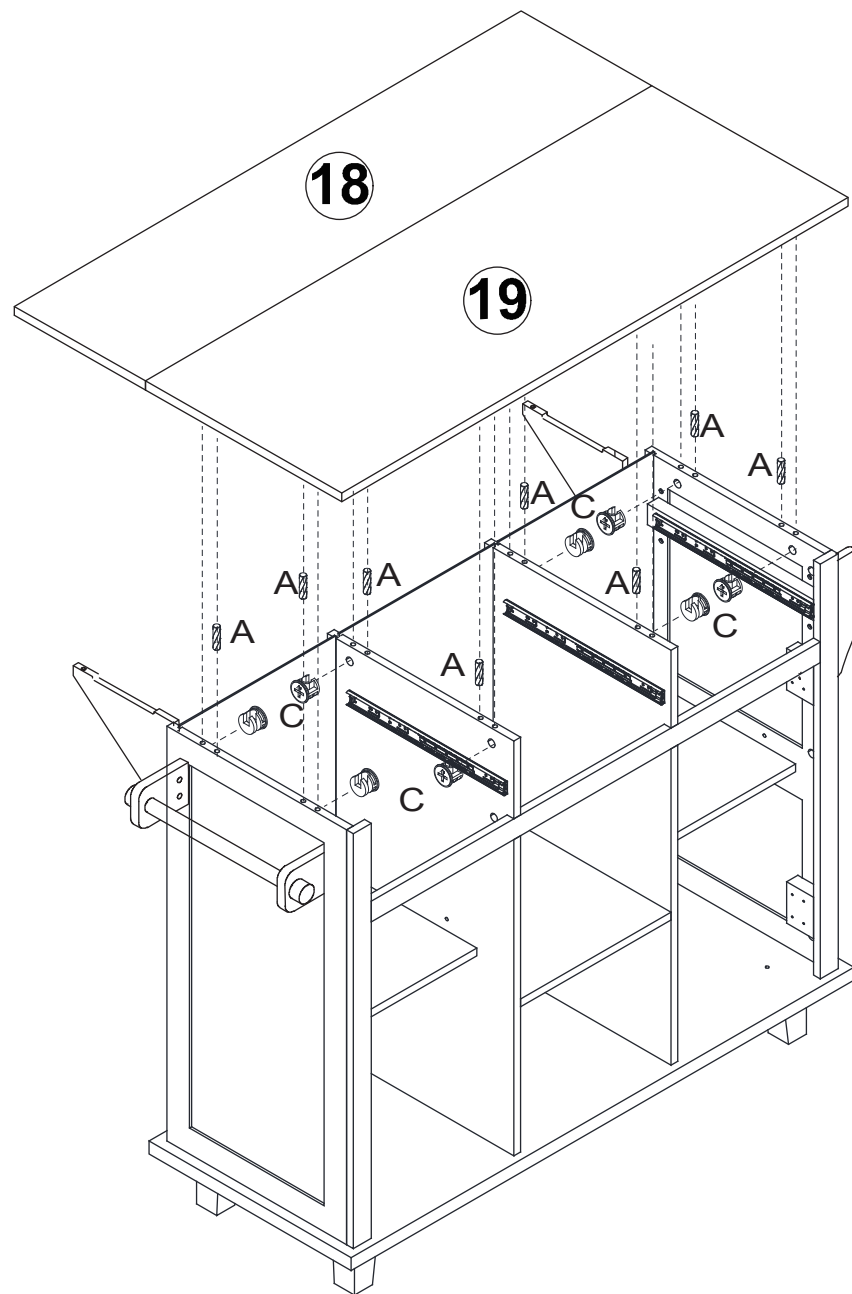
step 12



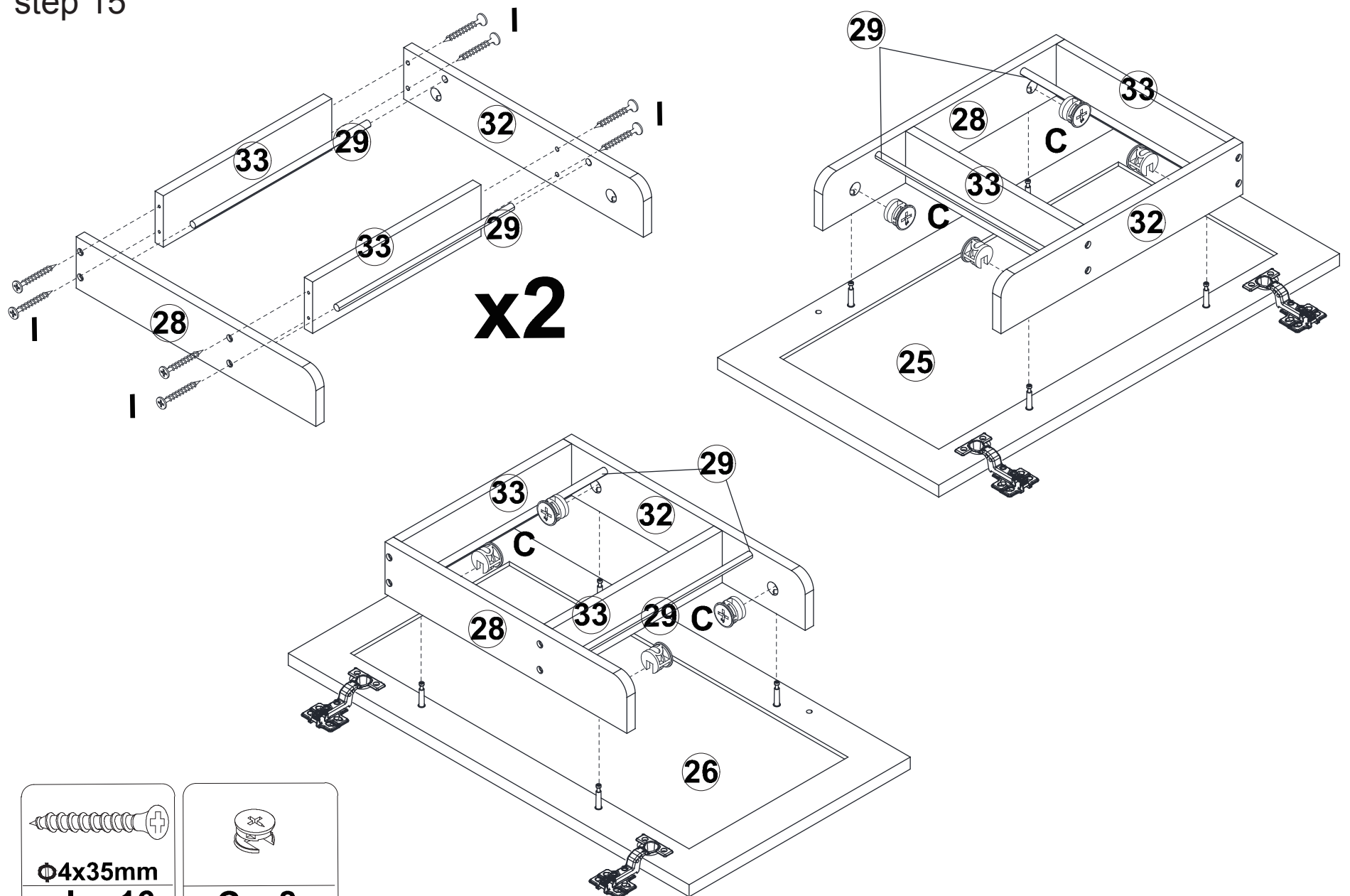
step 13



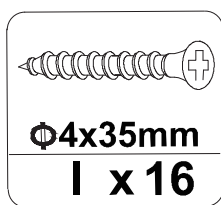
step 14



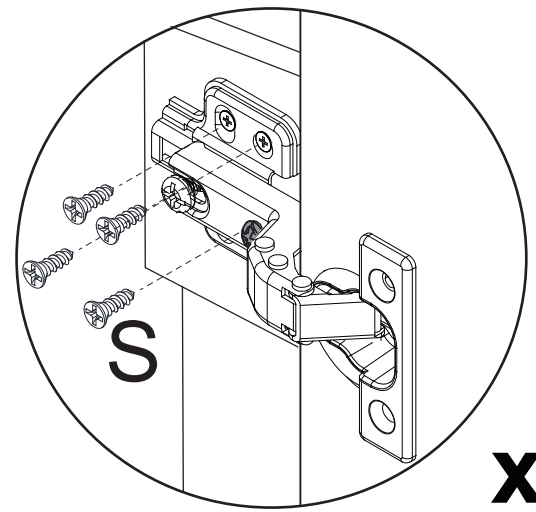
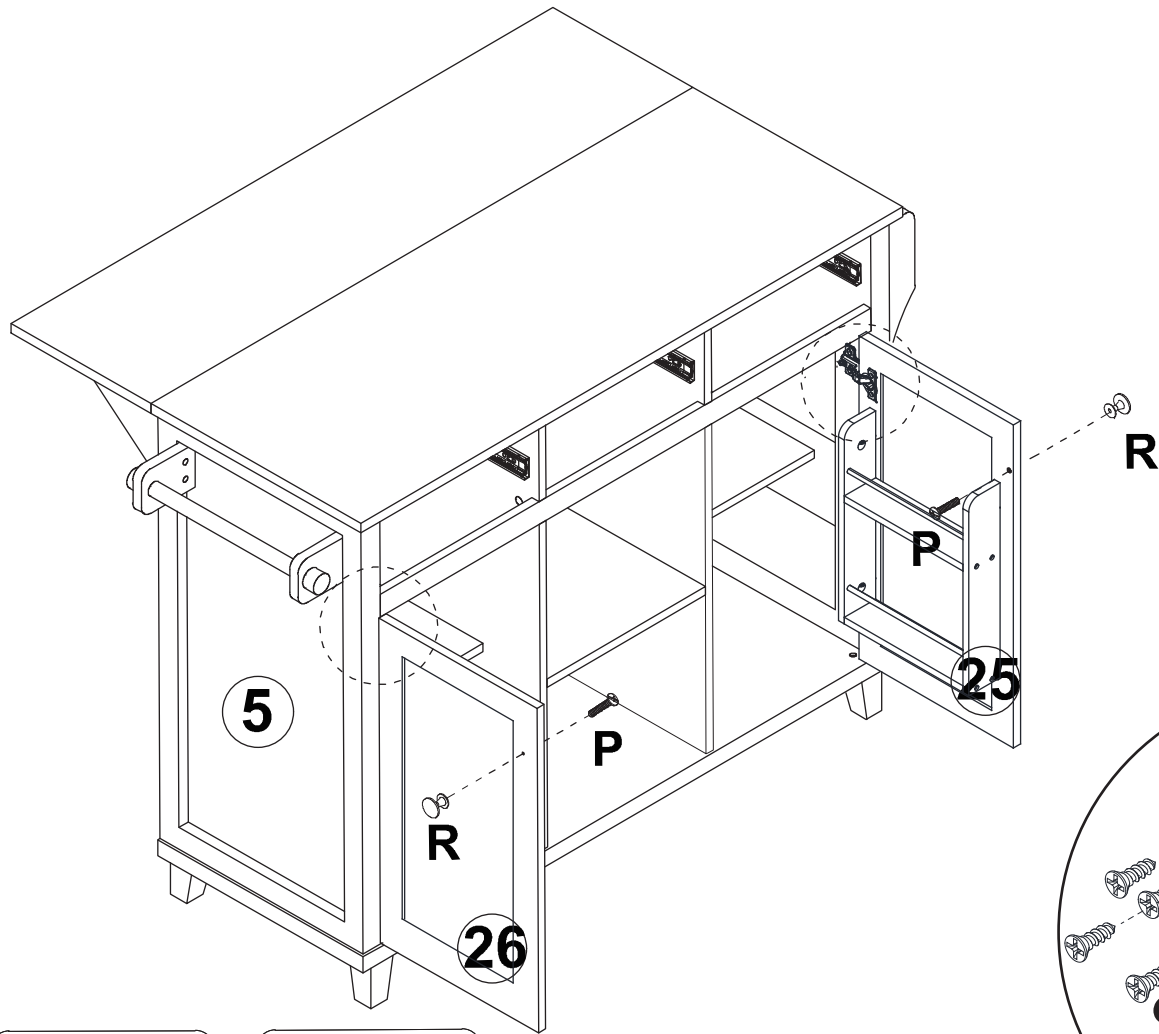
step 15



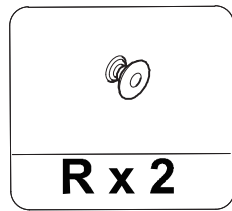
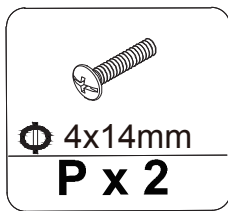
x2



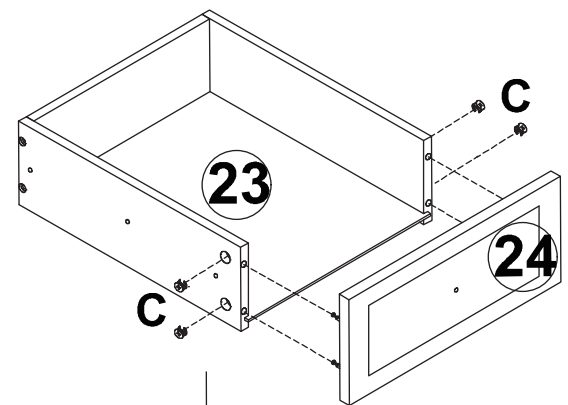
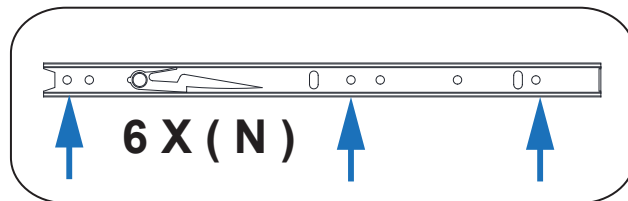
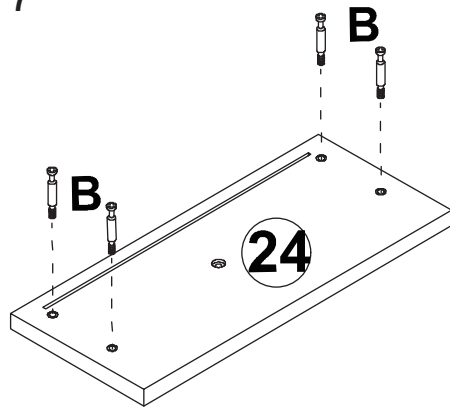
step 16



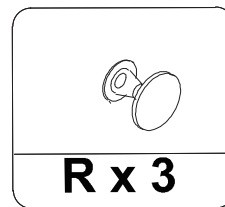
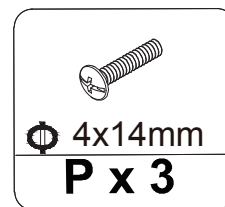
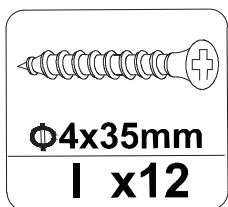
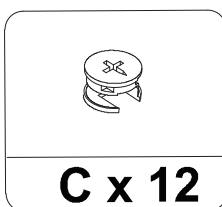
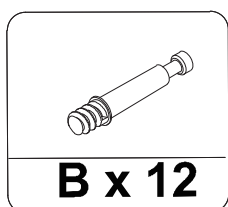
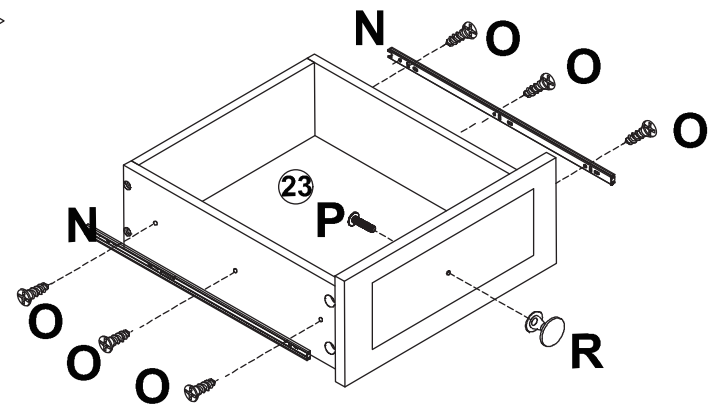
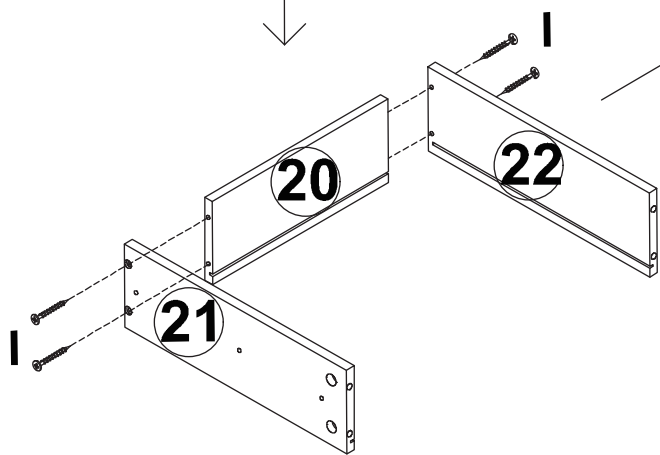
x 4



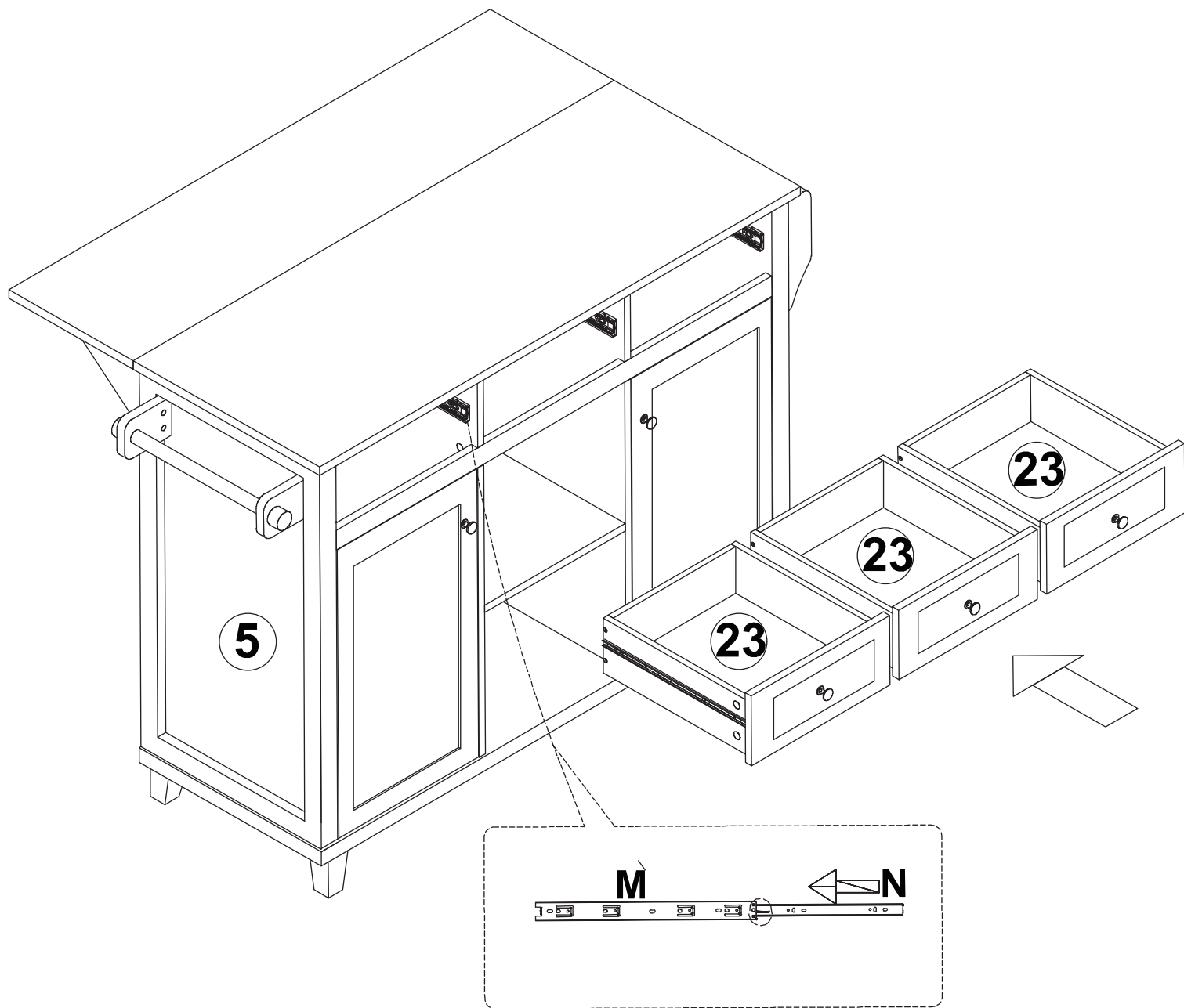
step 17



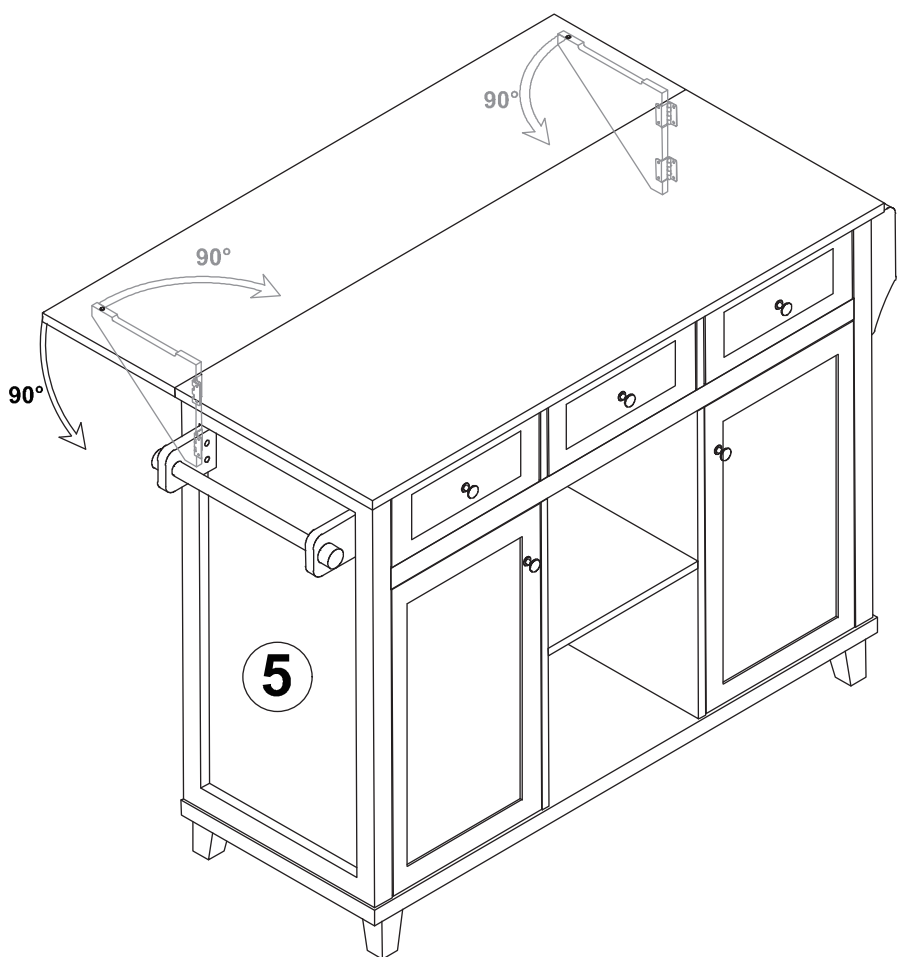
x 3



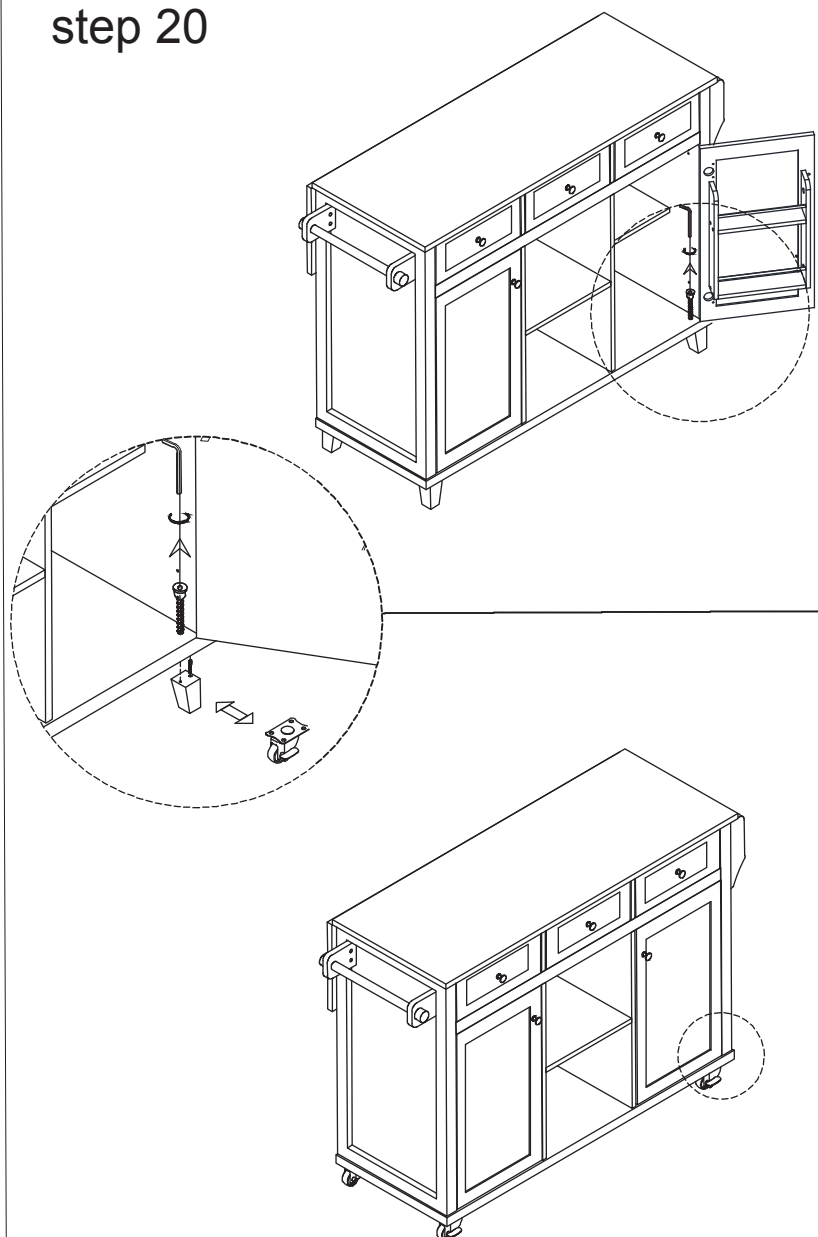
step 18



step 19



step 20



interchangeable