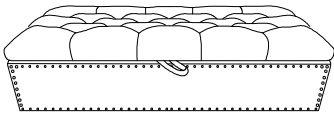
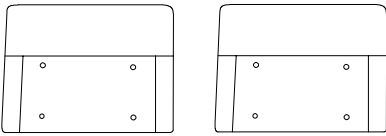
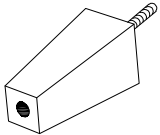
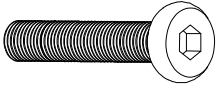

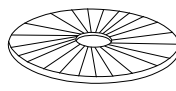
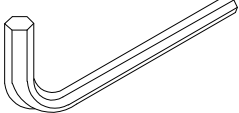
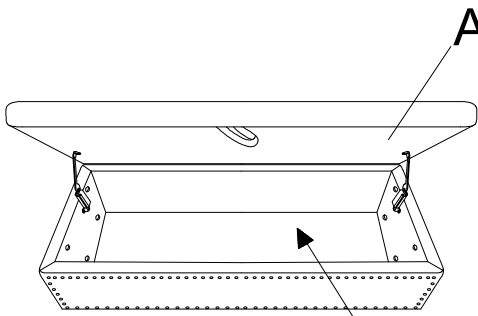
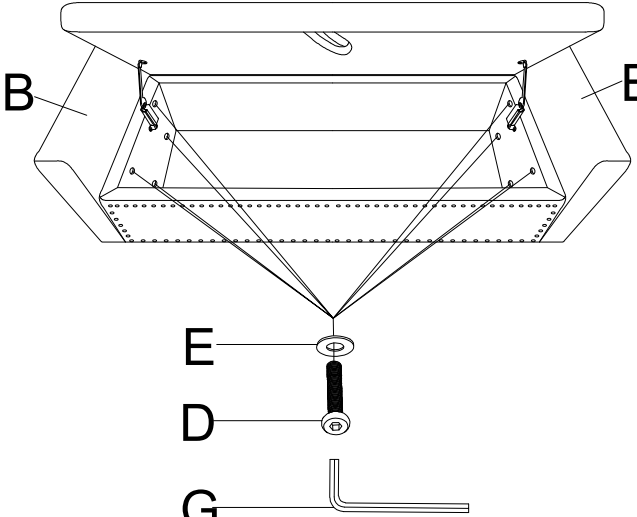
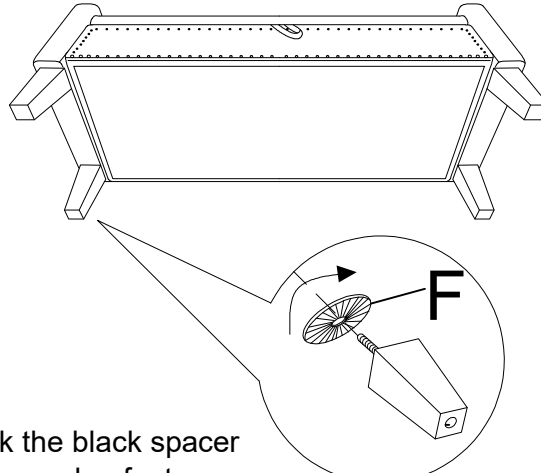


Packing List

A  Ottoman body 1 pc	B  Armrest 2 pcs	C  Wooden foot 4 pcs	
D  8 pcs	E  8 pcs	F  4 pcs	G  1 pc

Step 1  <p>Open the ottoman and take out all the accessories.</p>	Step 2 
Step 3  <p>Lock the black spacer and wooden feet clockwise.</p>	Step 4 