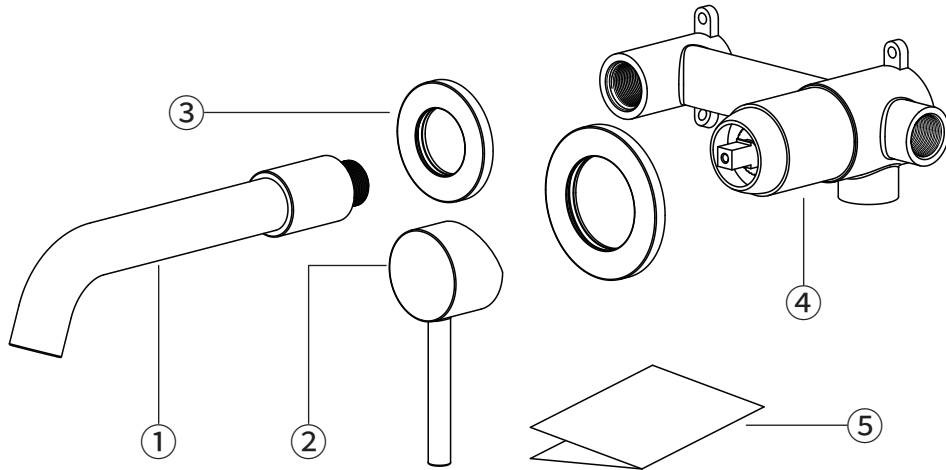


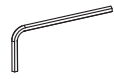
Wall-Mounted Faucet Instruction



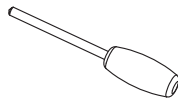
- ① : Extra long spout*1
- ② : Single handles*1
- ③ : Decorative cover*2
- ④ : Solid brass valves*1
- ⑤ : Manual*1



Sealants



Allen key



Screwdriver

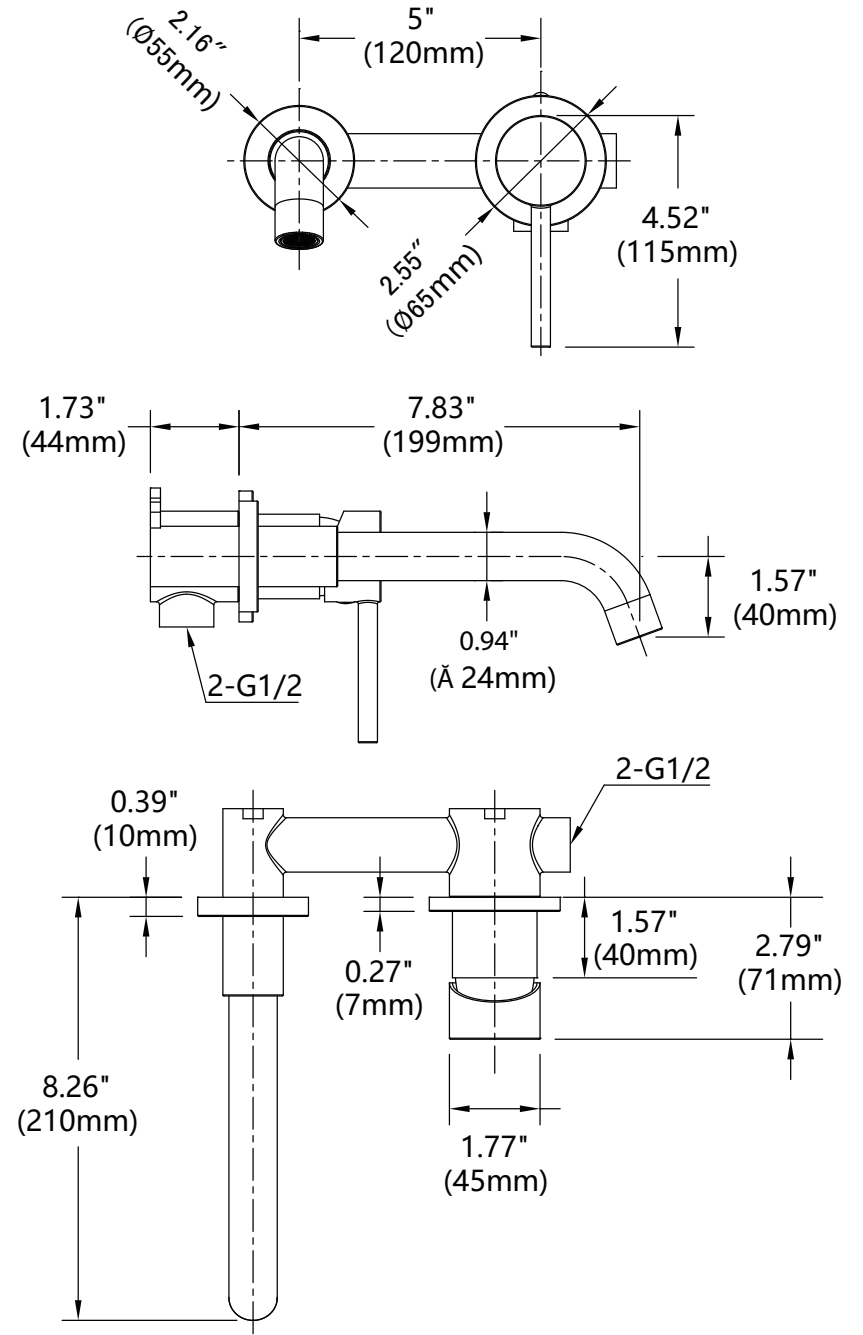


Gloves

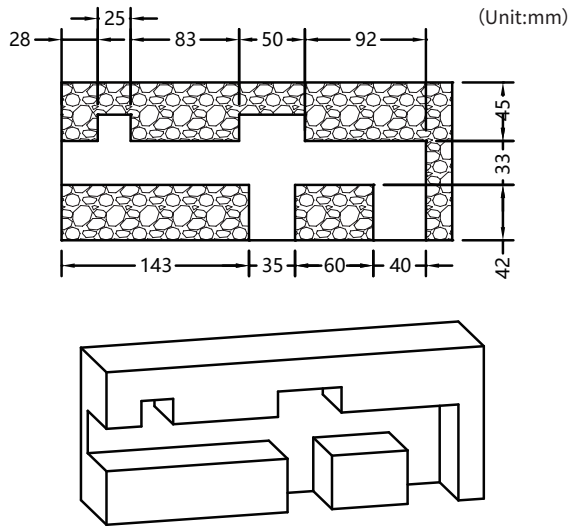
NOTICE:

1. Before installation, please make sure that the product is in good condition. The tools you need in installation are not provided with the goods, please prepare yourself.
2. Please install the product correctly and take preventive measures in accordance with the instructions.
3. The product map of the manual is for reference only. Please use the real object as the standard.

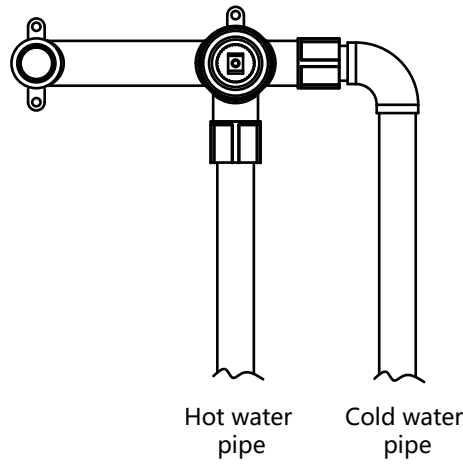
Product Size



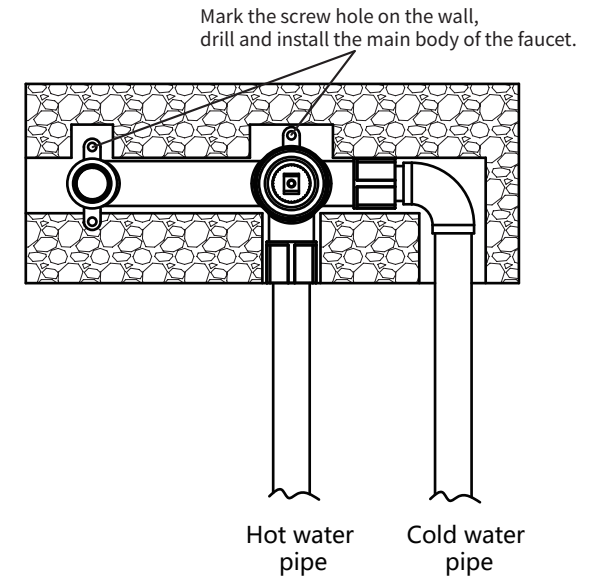
1. Please remove the debris at the connection before installation to avoid blocking or leakage. Make sure the inner wall is flat with the main flat plan. And prepare embedded products.



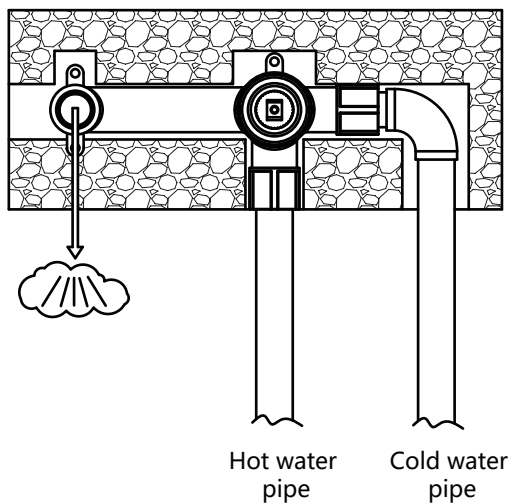
2. Correctly connect the tap water entrance. The maximum temperature of hot water must not be higher than 80 °C.



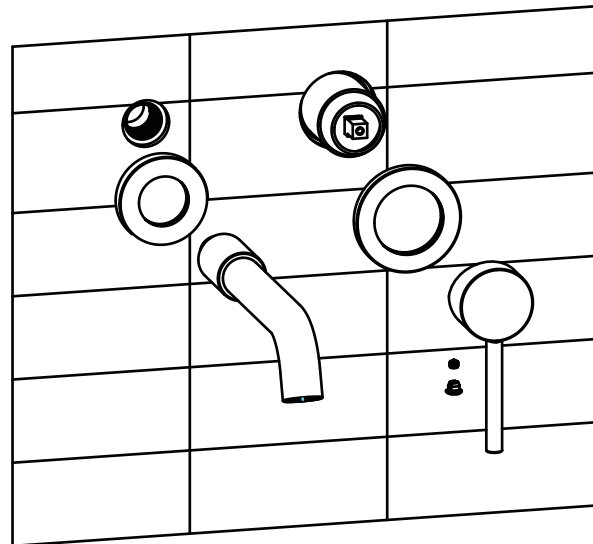
3. Place the products connected with water pipes in the embedded pit.



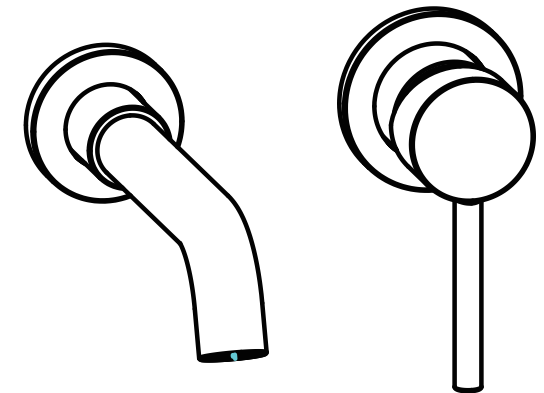
4. Seal the gap between the product and the wall, and flush the sundries in the water pipe through water.



5. Install the decorative cover, water outlet connector and handle.



6. Finished



NOTICE: In the process of embedding the wall, please do not remove the protective kit to avoid damaging the copper sleeve.