

Product Name:	Outdoor Acacia Wood Coffee Table and Loveseat with Cushions Outdoor Acacia Wood Armchairs with Cushions, Set of 2
SKU #:	WHOF1905-ST & WHOF1905-AC2

Thank you for purchasing this LuxenHöme product. This product has been manufactured with the highest standards of safety and quality.

PLEASE READ ALL INSTRUCTIONS BEFORE ASSEMBLY.

Unpack all parts from the packaging inside the carton to ensure there are no missing or damaged parts. If any parts are missing or damaged, do not attempt to assemble or use the product.

CARTON CONTENTS:

Hardware list:

H1 x34



M 7x60x15

H2 x2



M 6x50

H3 x1



ALLEN KEY 4

Parts list:

A x2



B x2



C x2



D x1



E x3



F x3



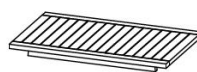
G x1



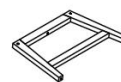
I x1



K x1



L x2



M x4

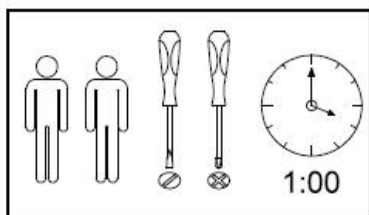


N x4



Product Name:	Outdoor Acacia Wood Coffee Table and Loveseat with Cushions Outdoor Acacia Wood Armchairs with Cushions, Set of 2
SKU #:	WHOF1905-ST & WHOF1905-AC2

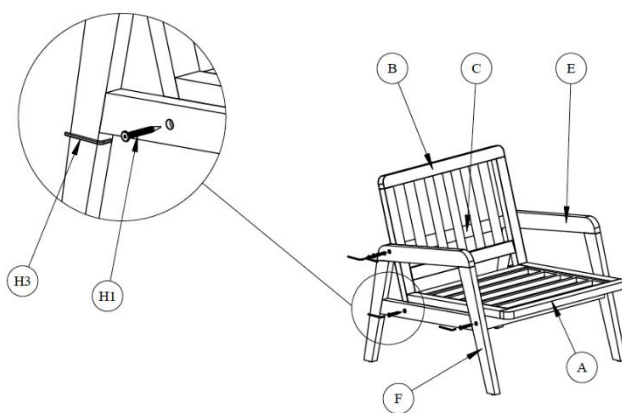
These instructions show how to assemble a single chair. Please repeat it twice to complete the assembly for the set of 2 chairs. The hardware and parts above show how much for WHOF1905-ST & WHOF1905-AC2.



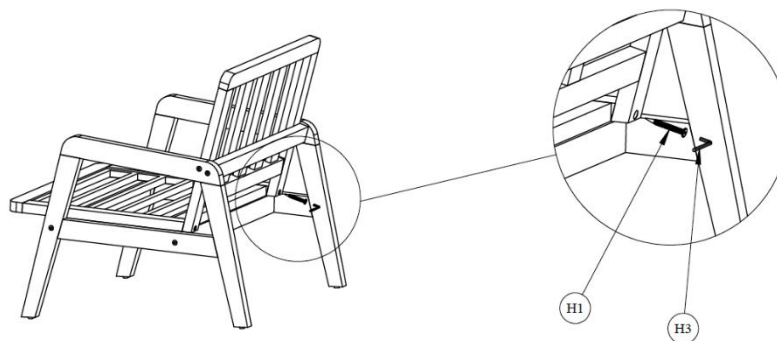
Tools required for assembly: Philips screwdriver and flathead screwdriver (if using power tools, use with care).

ARMCHAIR – Attach frame E, F to seat frame A, back frame B and connect bar C with hardware H1 by key H3.

STEP 1 A



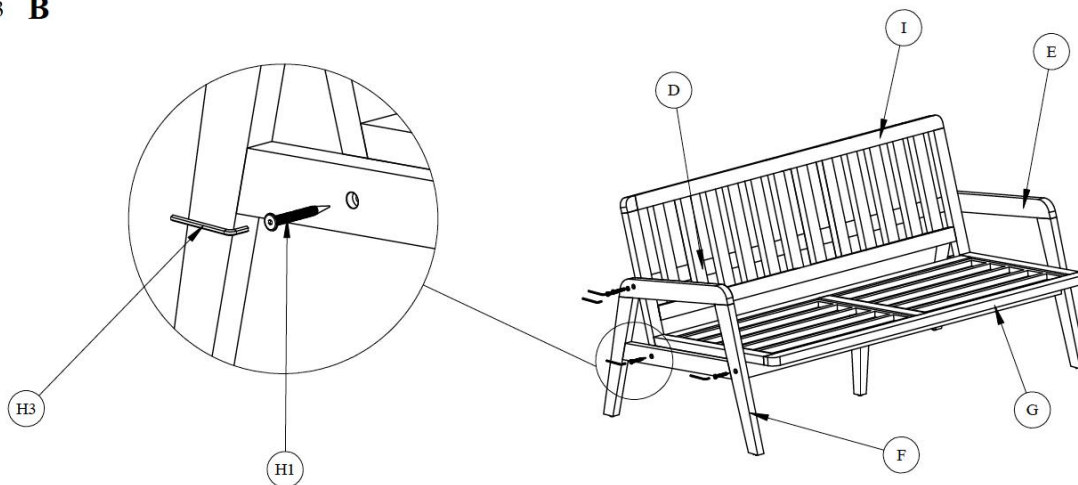
STEP 2 A



Product Name:	Outdoor Acacia Wood Coffee Table and Loveseat with Cushions Outdoor Acacia Wood Armchairs with Cushions, Set of 2
SKU #:	WHOF1905-ST & WHOF1905-AC2

LOVE BENCH – Attach frame E, F to seat frame G, back frame I and connect bar D with hardware H1 by key H3.

STEP 3 **B**



STEP 4 **B**

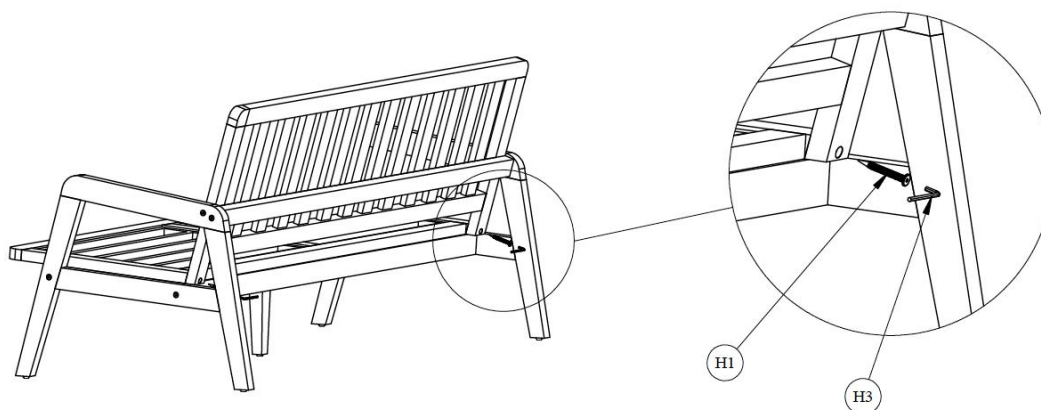
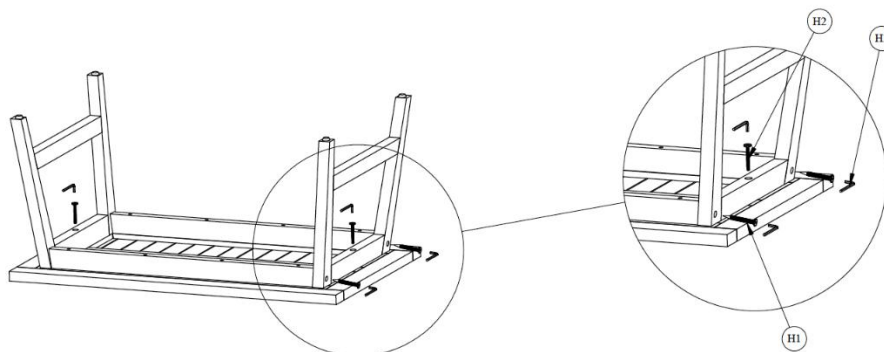


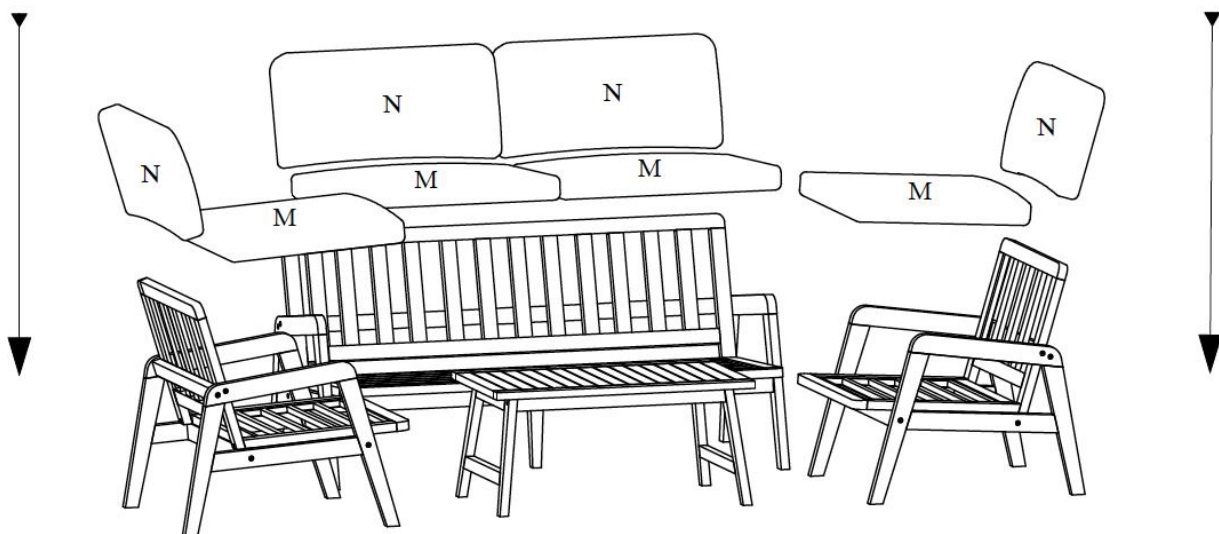
TABLE – Attach table legs frame L to the table top K with hardware H1, H2 by key H3.

STEP 5 **C**



Product Name:	Outdoor Acacia Wood Coffee Table and Loveseat with Cushions Outdoor Acacia Wood Armchairs with Cushions, Set of 2
SKU #:	WHOF1905-ST & WHOF1905-AC2

Cushion: Place the seat cushion M and the back cushion N on the chairs, love bench.



Care Instructions

Congratulations on your purchase of this hardwood furniture. You can enjoy many years with this set when correctly maintained.

This furniture was treated with wood oil at the factory. To maintain the original appearance, treat the furniture with a suitable wood oil several times a year.

Timber is a living product, and you may need to tighten screws periodically.

Please store your furniture indoors during the winter months to maintain the appearance of the wood.