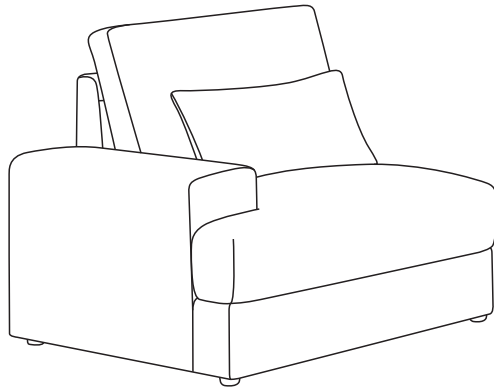
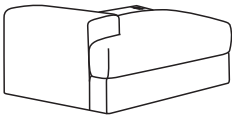
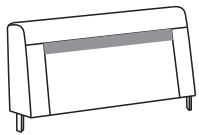
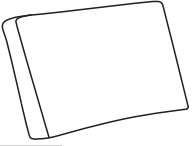
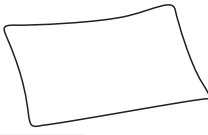


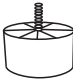
# ASSEMBLY INSTRUCTION

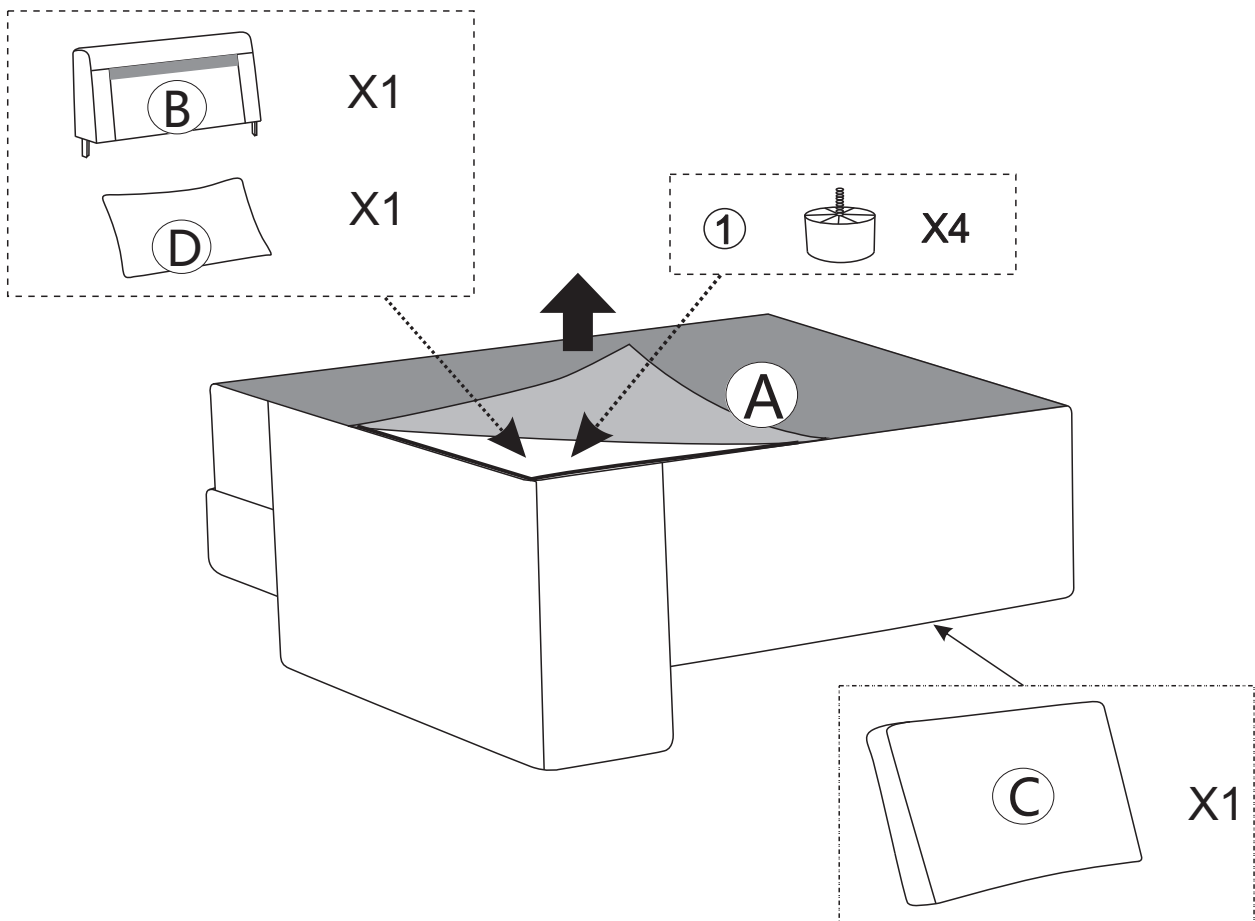


## PARTS LIST

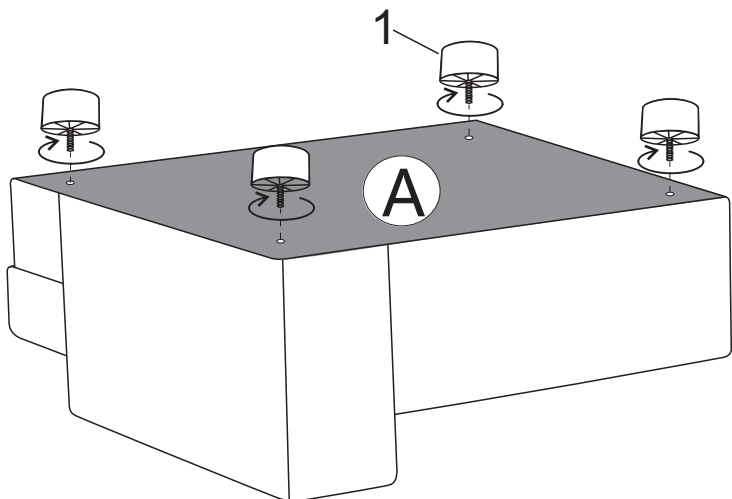
				
<b>A</b>	<b>B</b>	<b>C</b>	<b>D</b>	
X1	X1	X1	X1	

## HARDWARE LIST

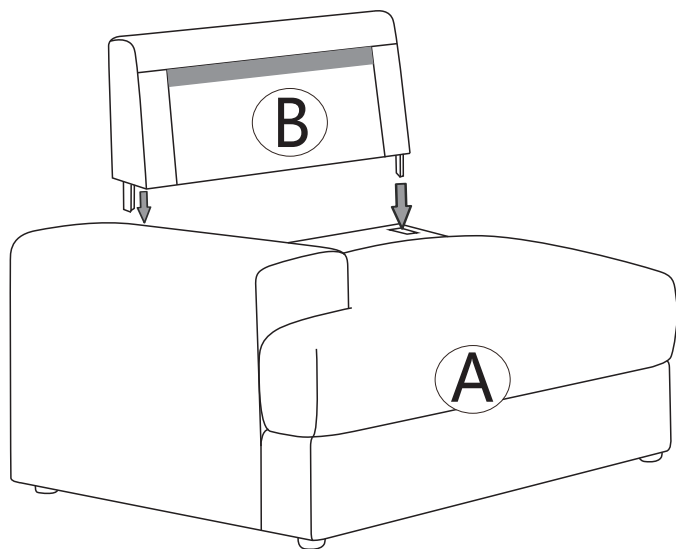
	
<b>1</b>	<b>X4</b>



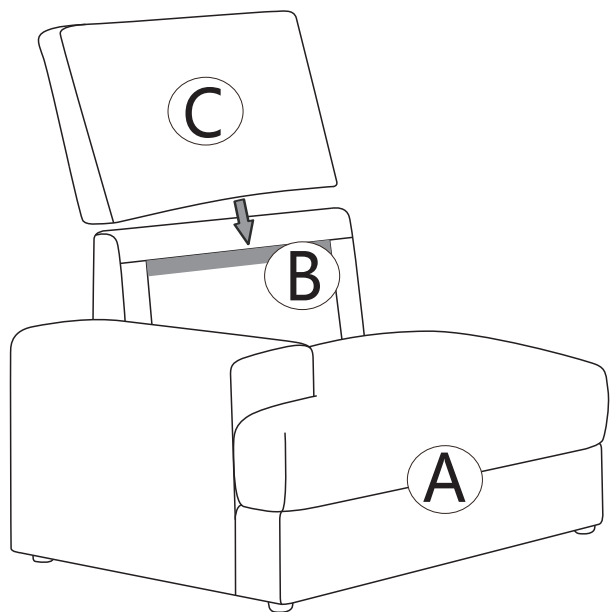
### Step1



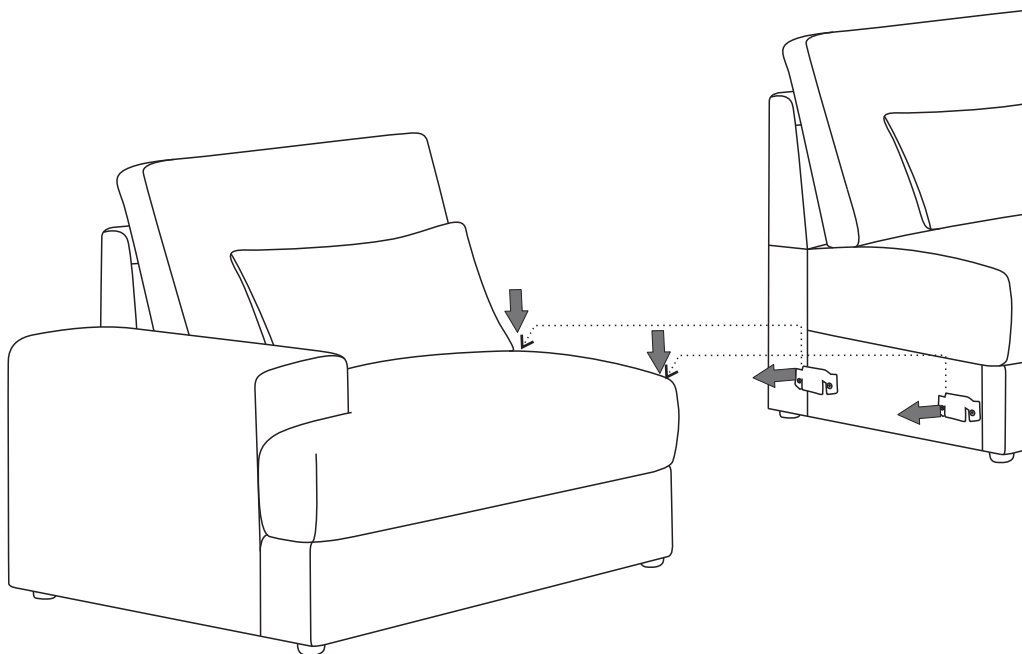
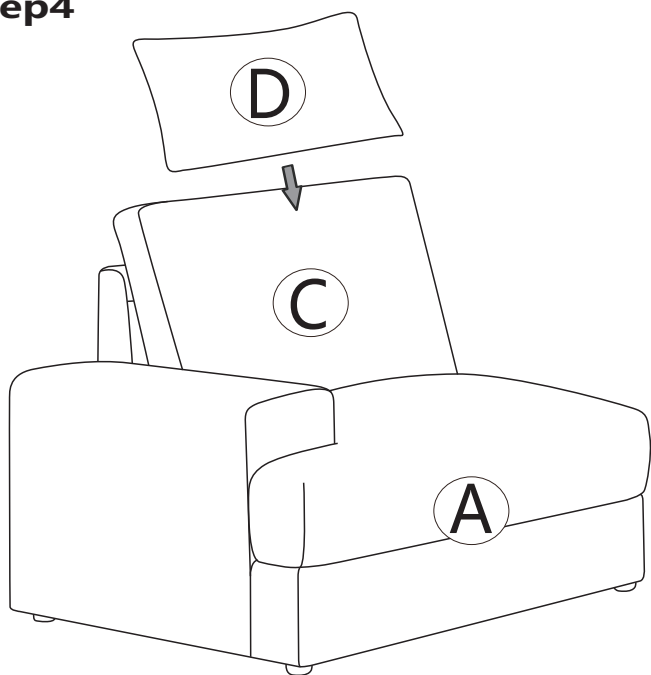
### Step2



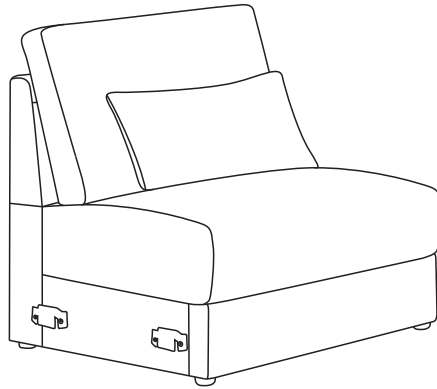
### Step3



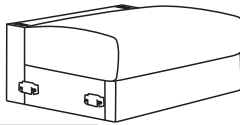
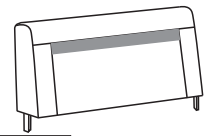
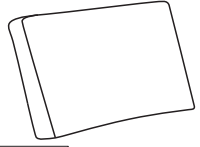
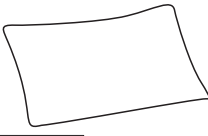
### Step4



# ASSEMBLY INSTRUCTION



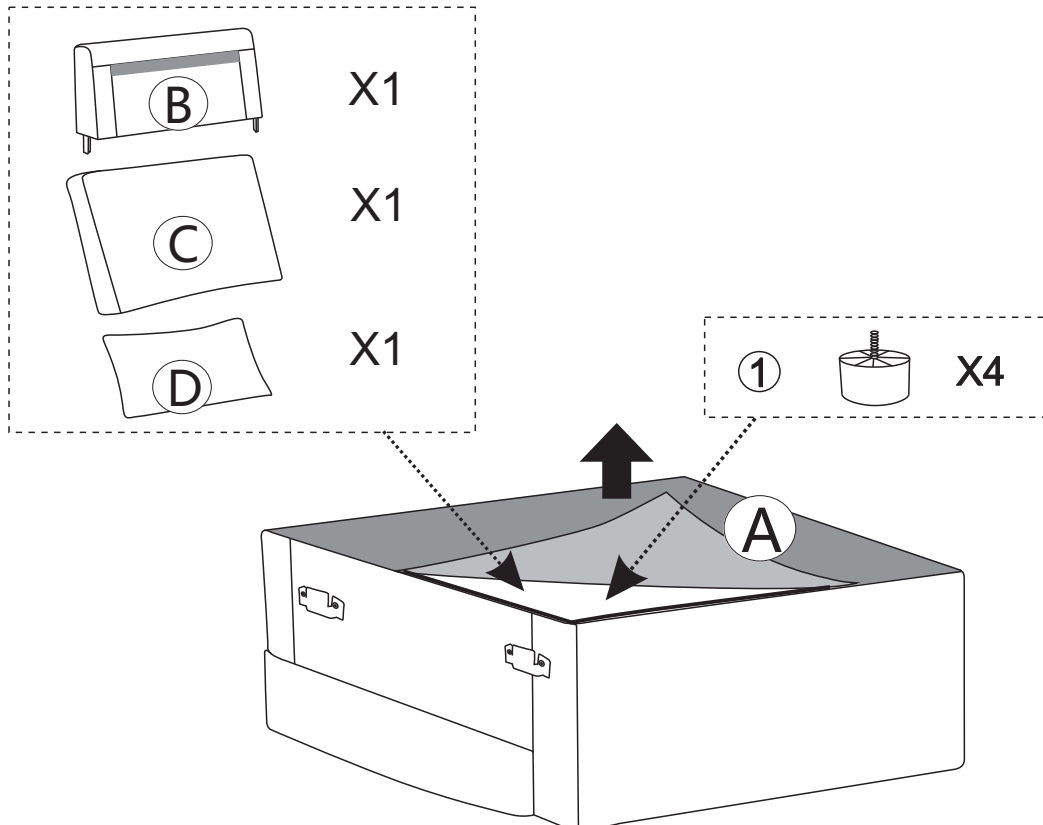
## PARTS LIST

				
<b>A</b>	<b>B</b>	<b>C</b>	<b>D</b>	
X1	X1	X1	X1	

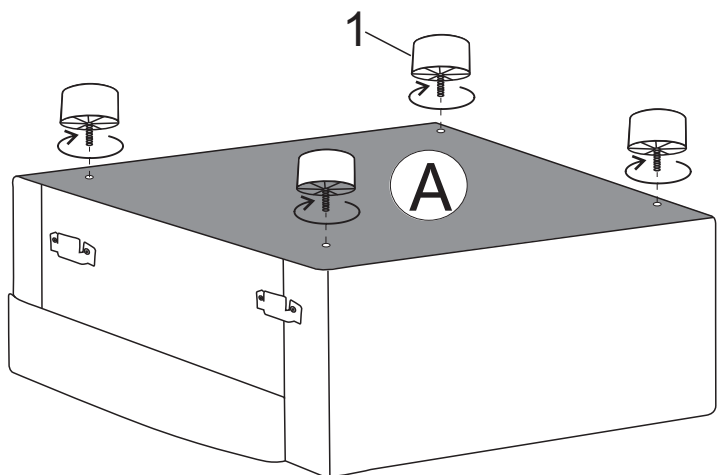
## HARDWARE LIST



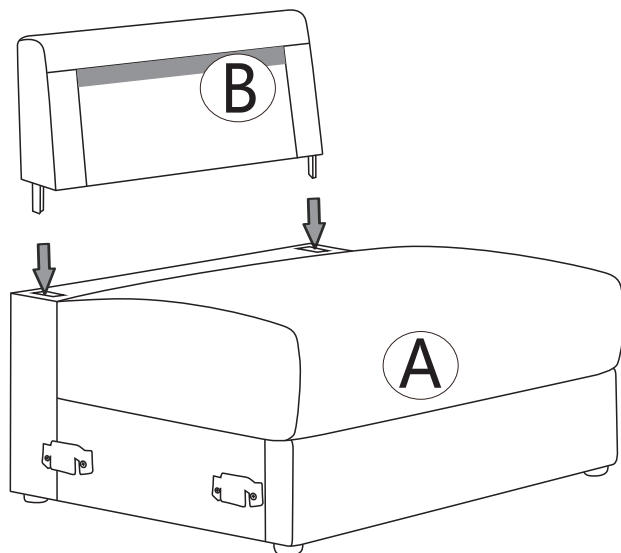
**1** X4



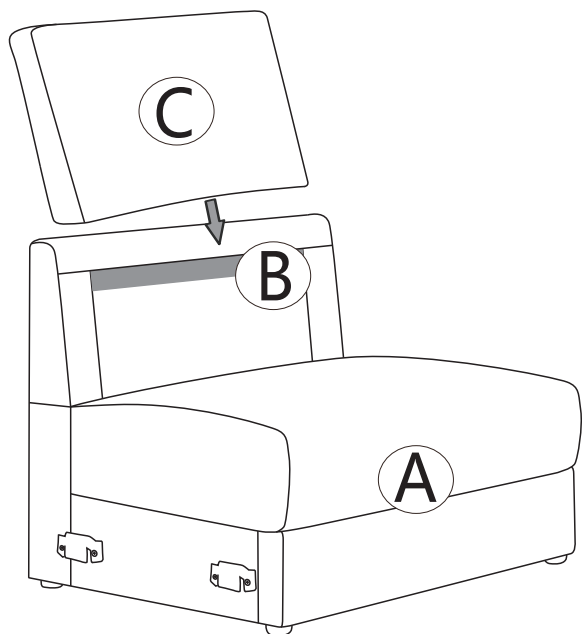
### Step1



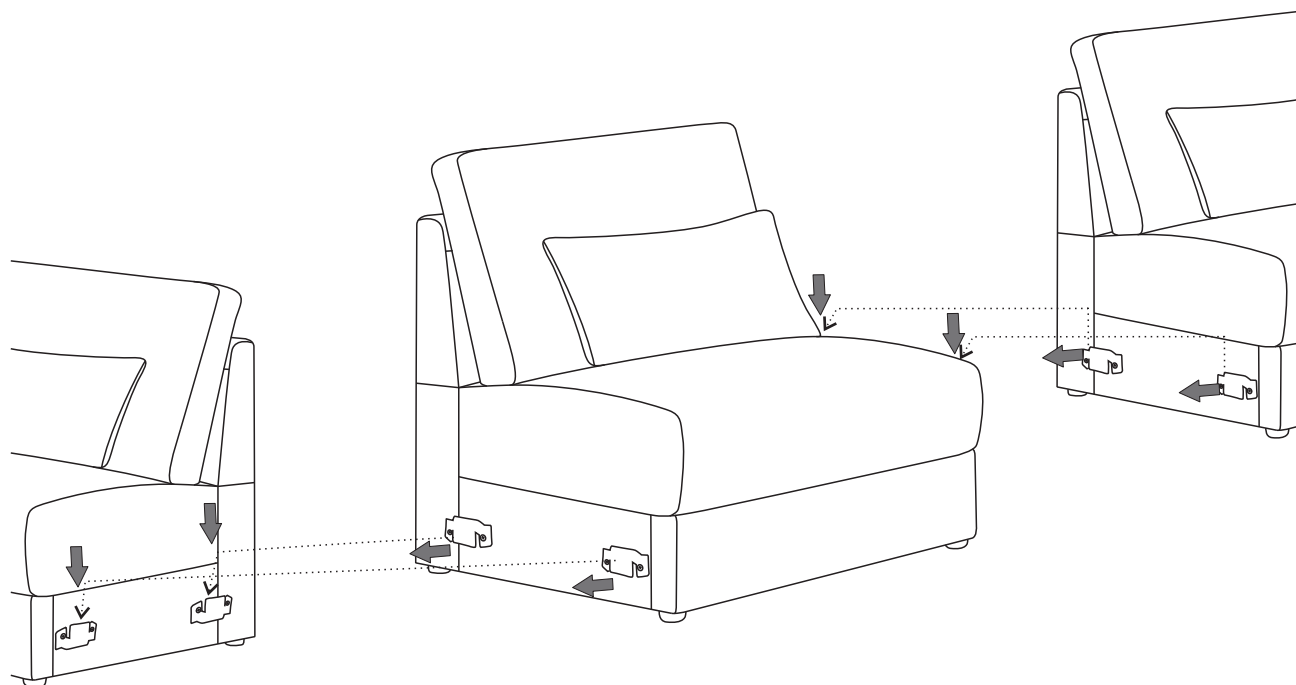
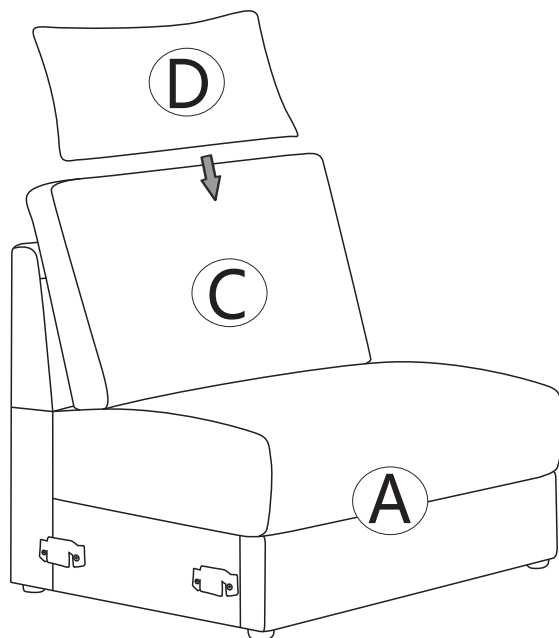
### Step2



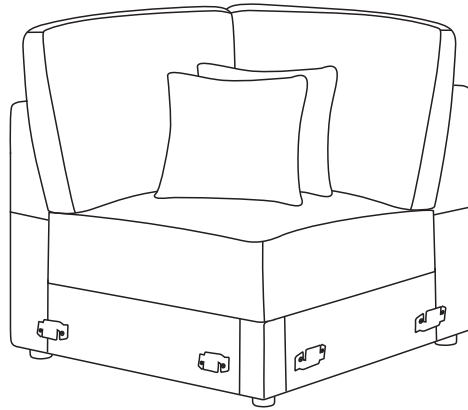
### Step3



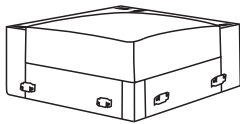
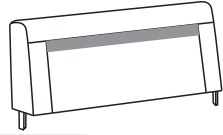
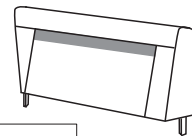
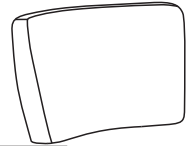
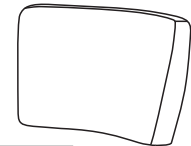
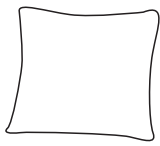
### Step4



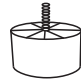
# ASSEMBLY INSTRUCTION

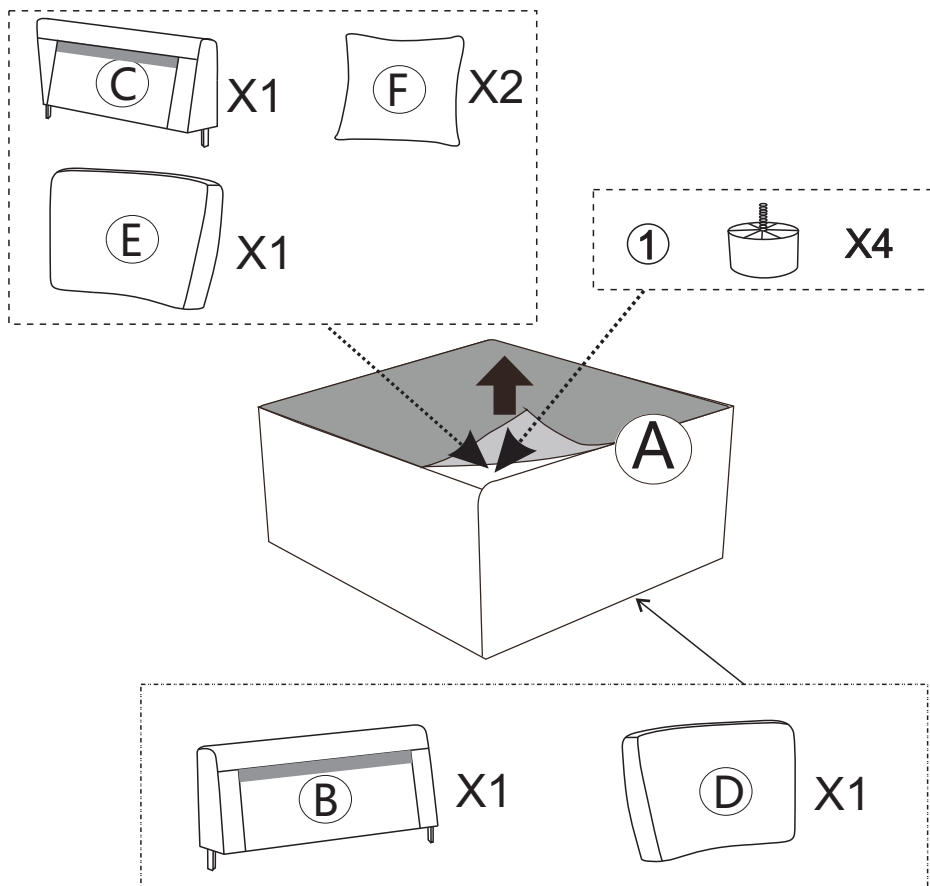


## PARTS LIST

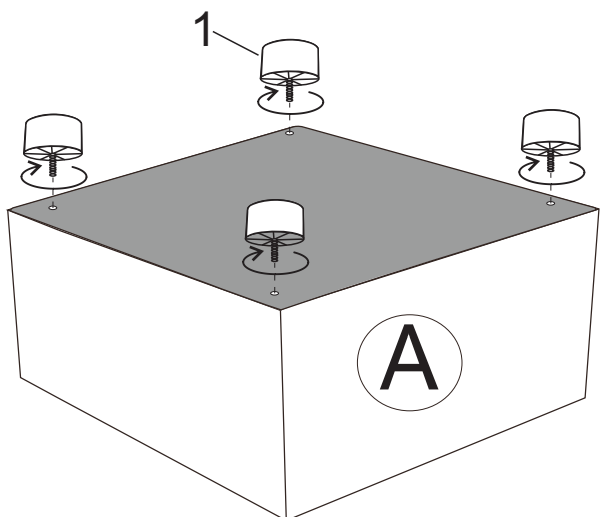
											
<b>A</b>	<b>X1</b>	<b>B</b>	<b>X1</b>	<b>C</b>	<b>X1</b>	<b>D</b>	<b>X1</b>	<b>E</b>	<b>X1</b>	<b>F</b>	<b>X2</b>

## HARDWARE LIST

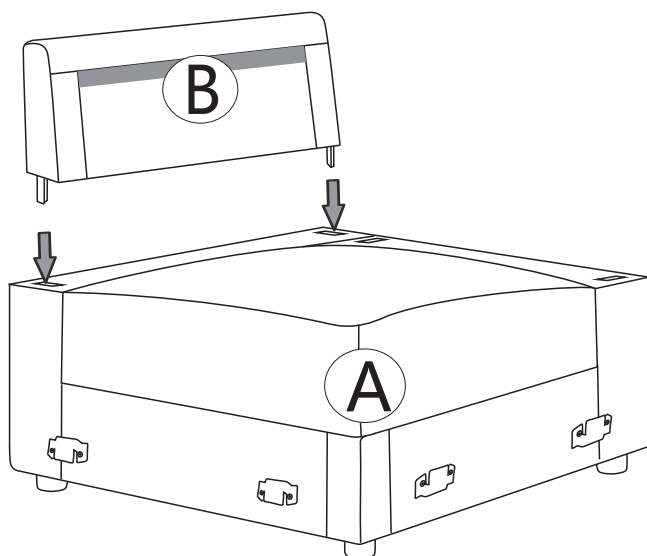
	
<b>1</b>	<b>X4</b>



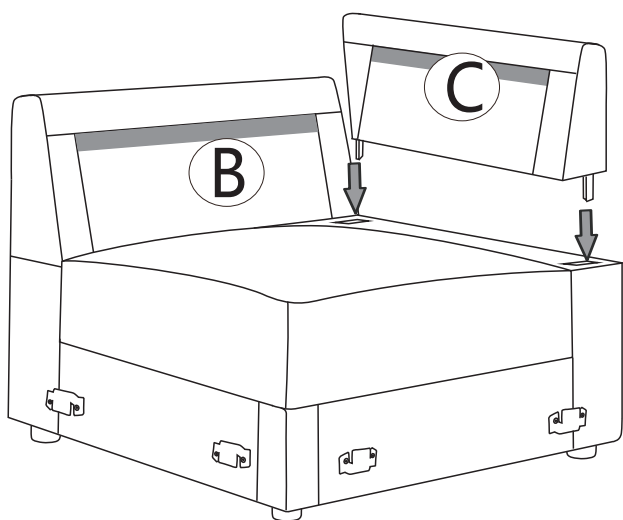
### Step1



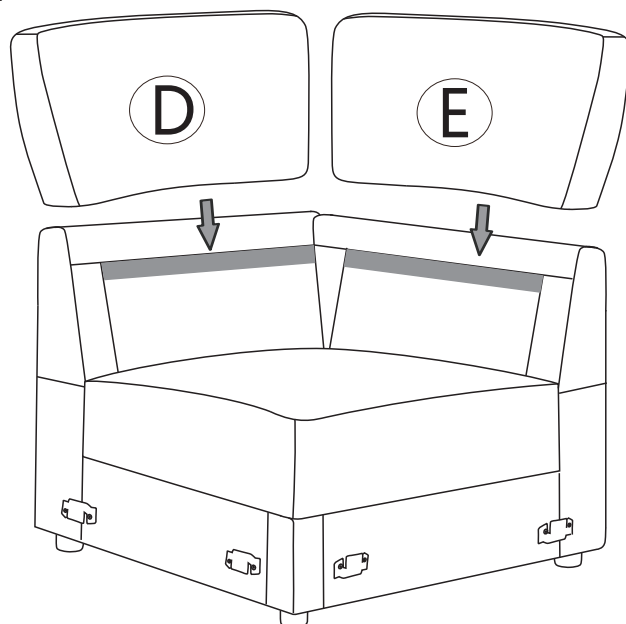
### Step2



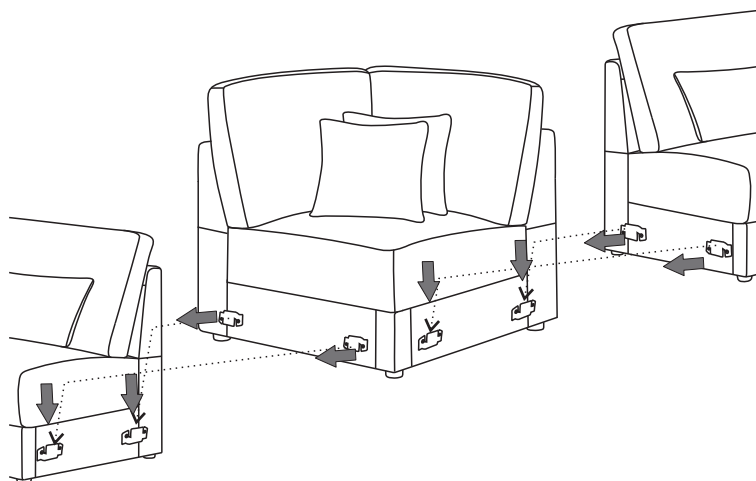
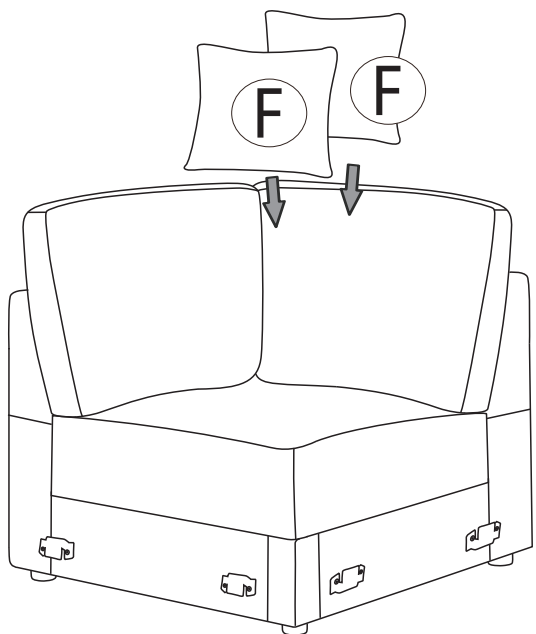
### Step3



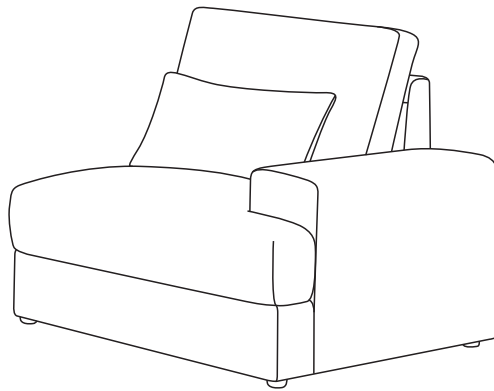
### Step4



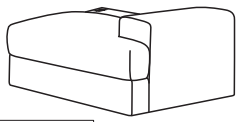
### Step5



# ASSEMBLY INSTRUCTION

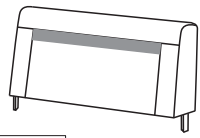


## PARTS LIST



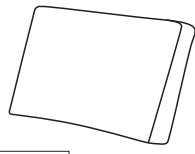
**A**

X1



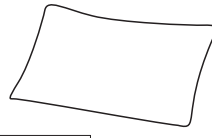
**B**

X1



**C**

X1



**D**

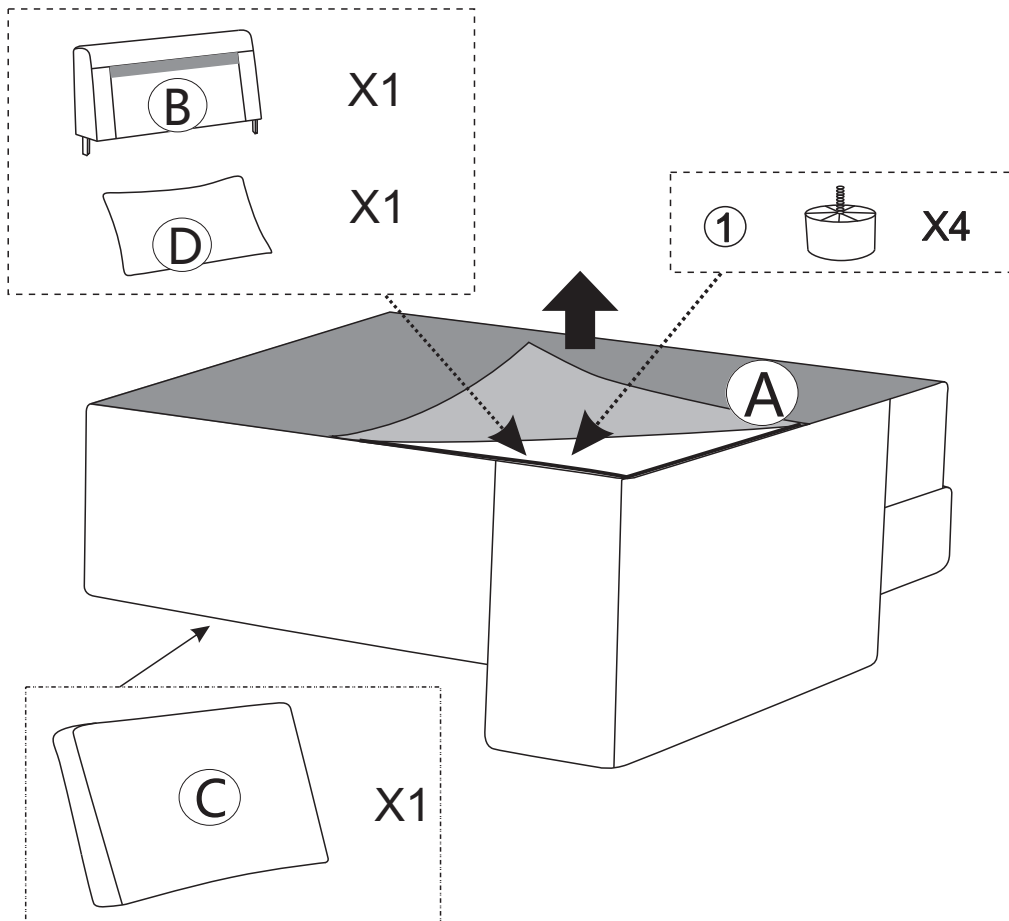
X1

## HARDWARE LIST

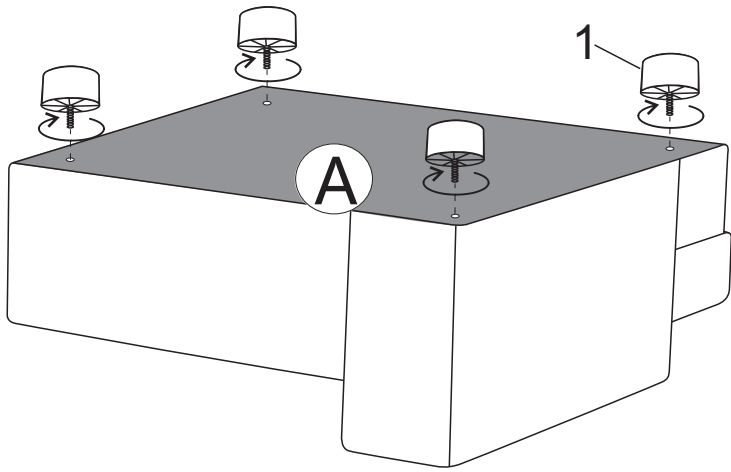


**1**

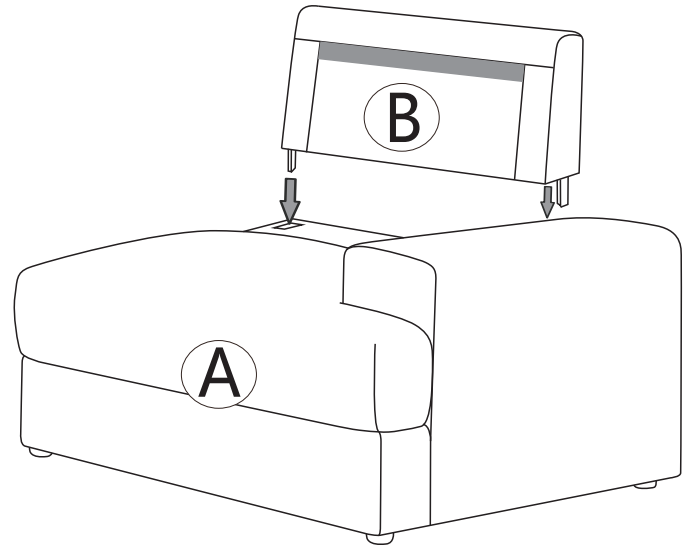
X4



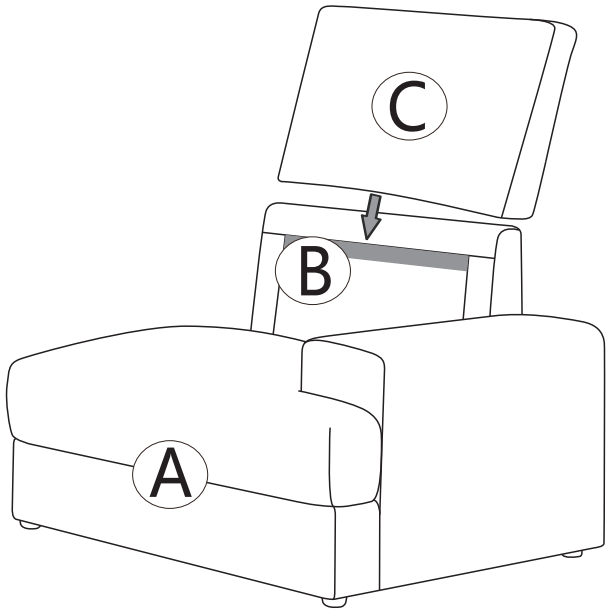
### Step1



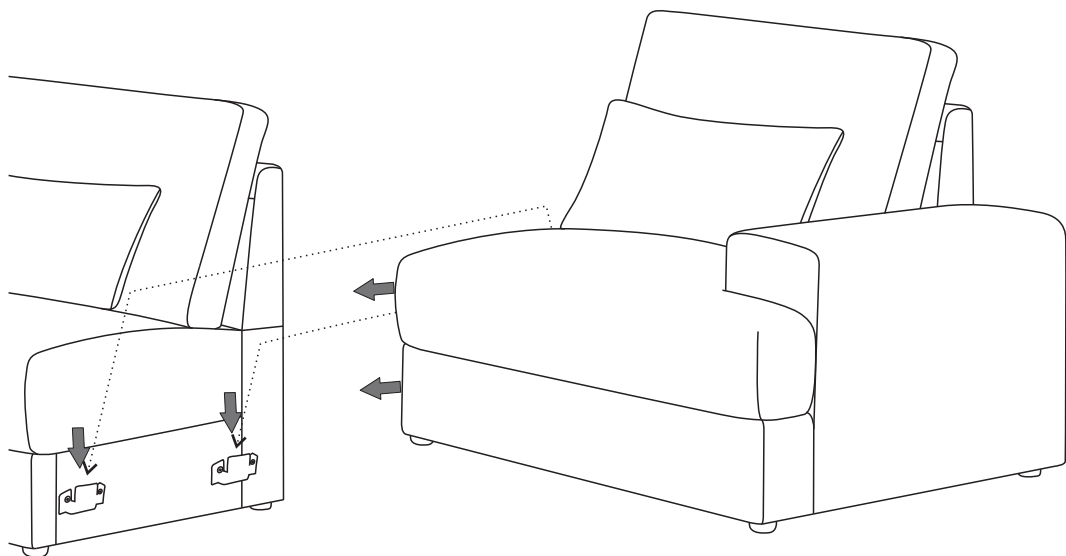
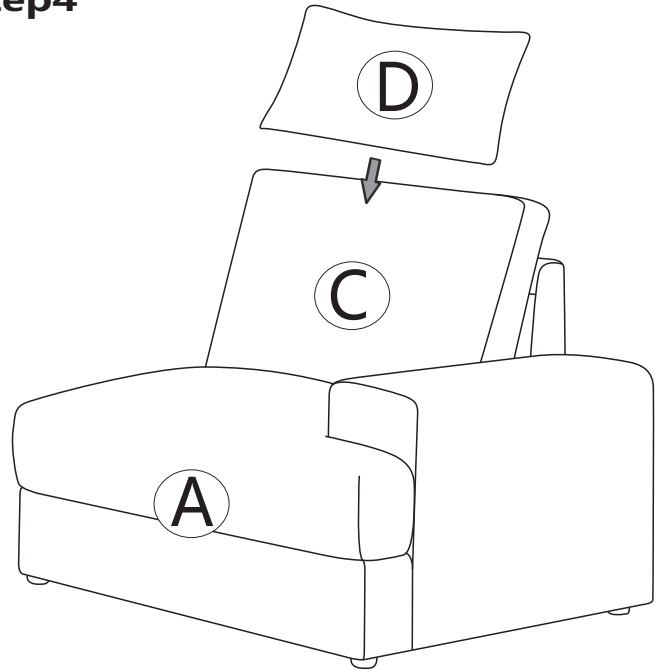
### Step2



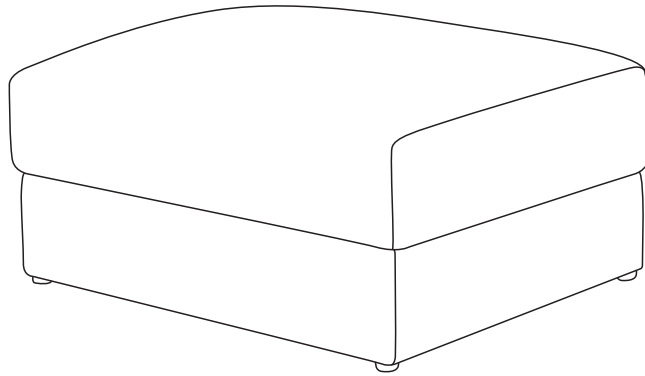
### Step3



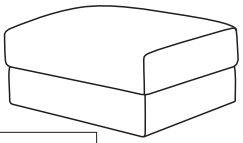
### Step4



# ASSEMBLY INSTRUCTION



## PARTS LIST



**A**

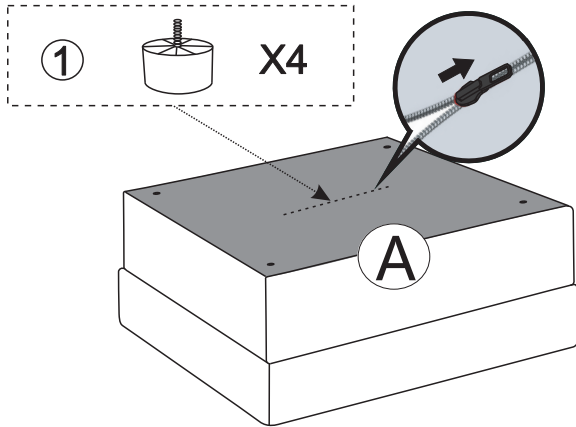
X1

## HARDWARE LIST



**1**

X4



### Step 1

