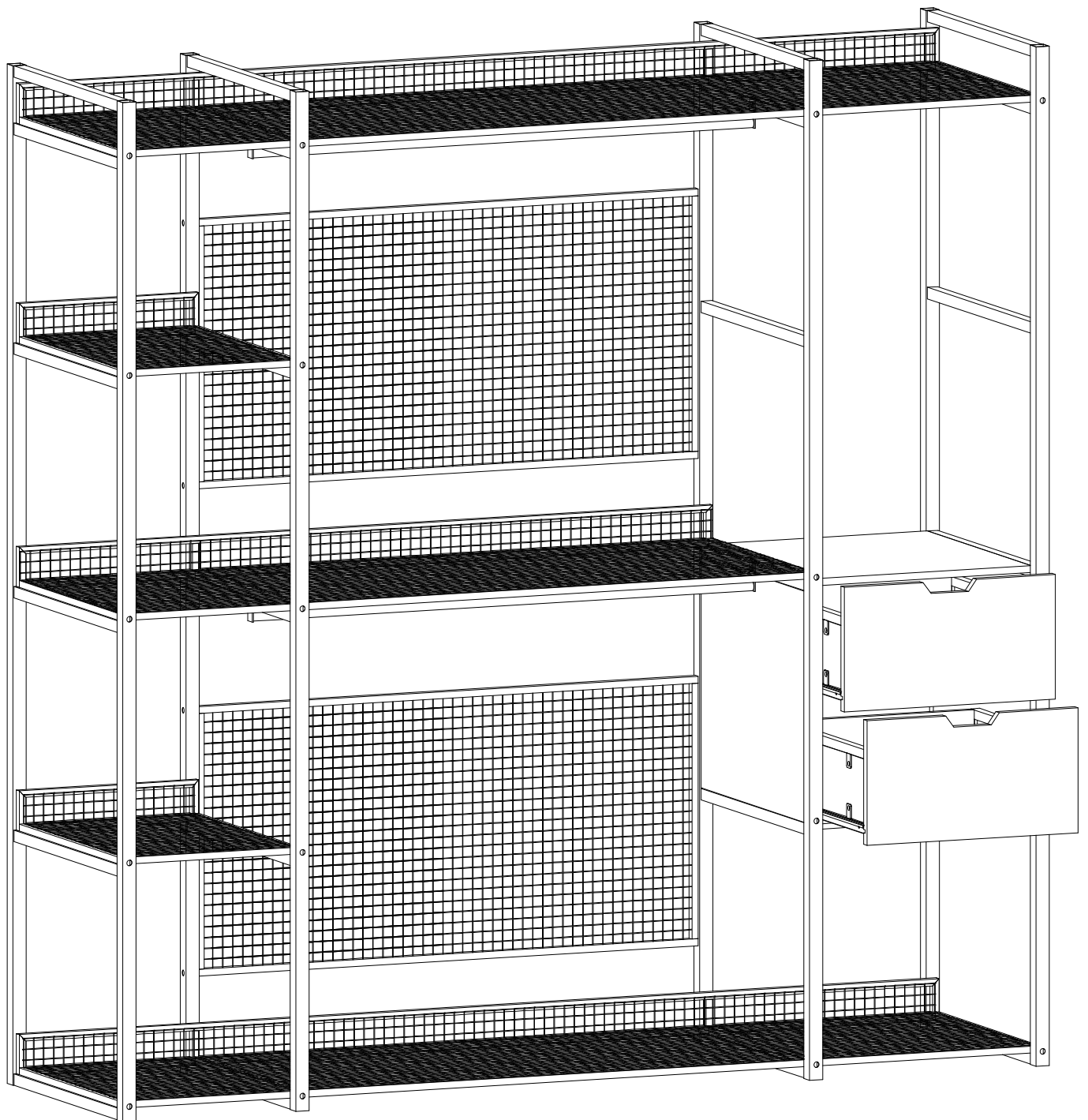
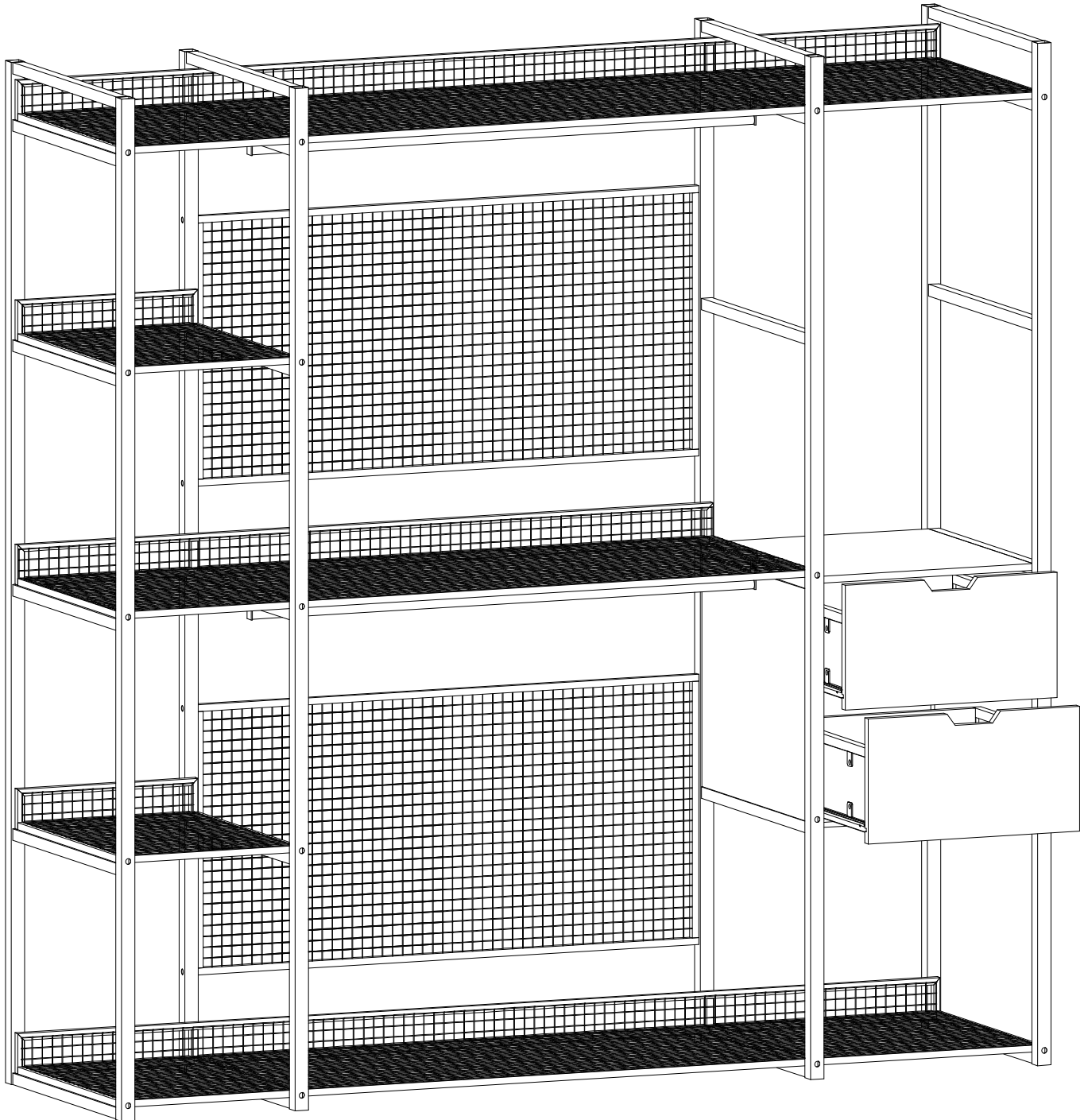


# ASSEMBLY INSTRUCTIONS



# ASSEMBLY INSTRUCTIONS

## Metal closet



Thank you for purchasing this quality product. Be sure to check all packing material carefully for small parts which may have come loose inside the carton during shipment. Separate, identify and count all parts and hardware.

Compare with the parts list to be sure all parts are present.

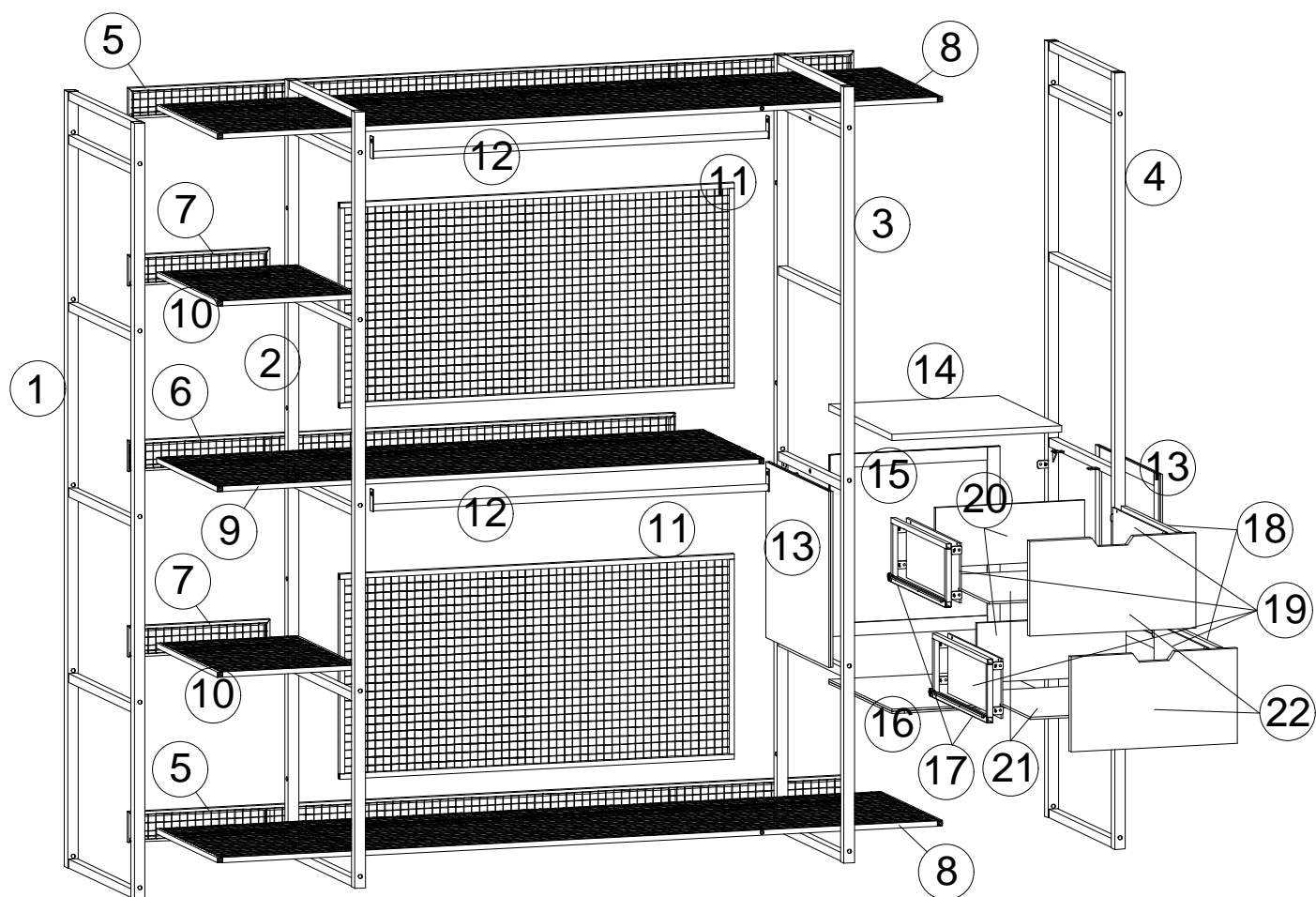
**"DO NOT TIGHTEN SCREWS UNTIL COMPLETELY ASSEMBLED"**

# Detail View

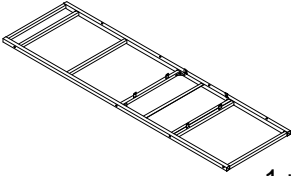
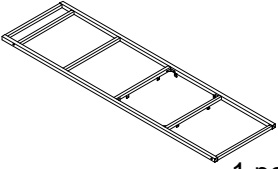
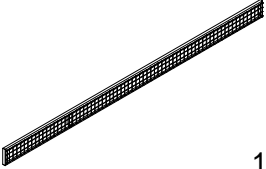
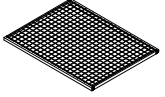
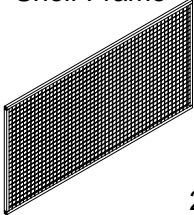
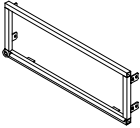
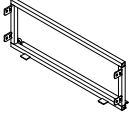
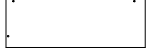
## Metal closet

IMPORTANT:

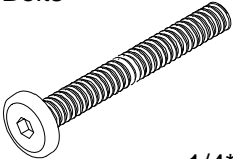
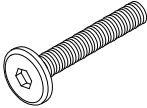
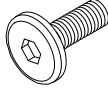
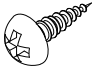
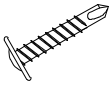
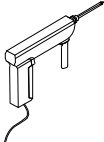

PLEASE READ INSTRUCTION BEFORE STARTING THE ASSEMBLY



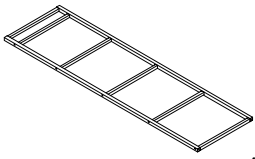
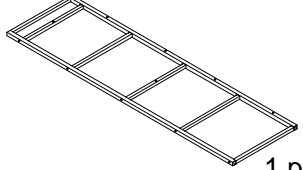
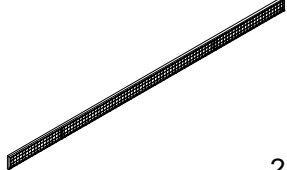
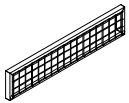
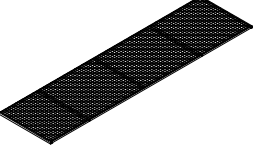
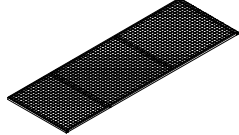
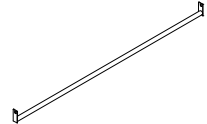

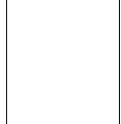
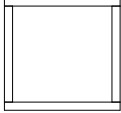
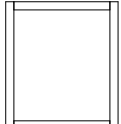

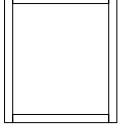

# PART LIST

<p>3 Shelf Frame</p>  <p>1 pc</p>	<p>4 Shelf Frame</p>  <p>1 pc</p>	<p>6 Shelf Frame</p>  <p>1 pc</p>	<p>10 Shelf Frame</p>  <p>2 pcs</p>
<p>11 Shelf Frame</p>  <p>2 pcs</p>	<p>17 Drawer sides</p>  <p>2 pcs</p>	<p>18 Drawer sides</p>  <p>2 pcs</p>	<p>19 plank</p>  <p>4 pcs</p>

# HARDWARE LIST

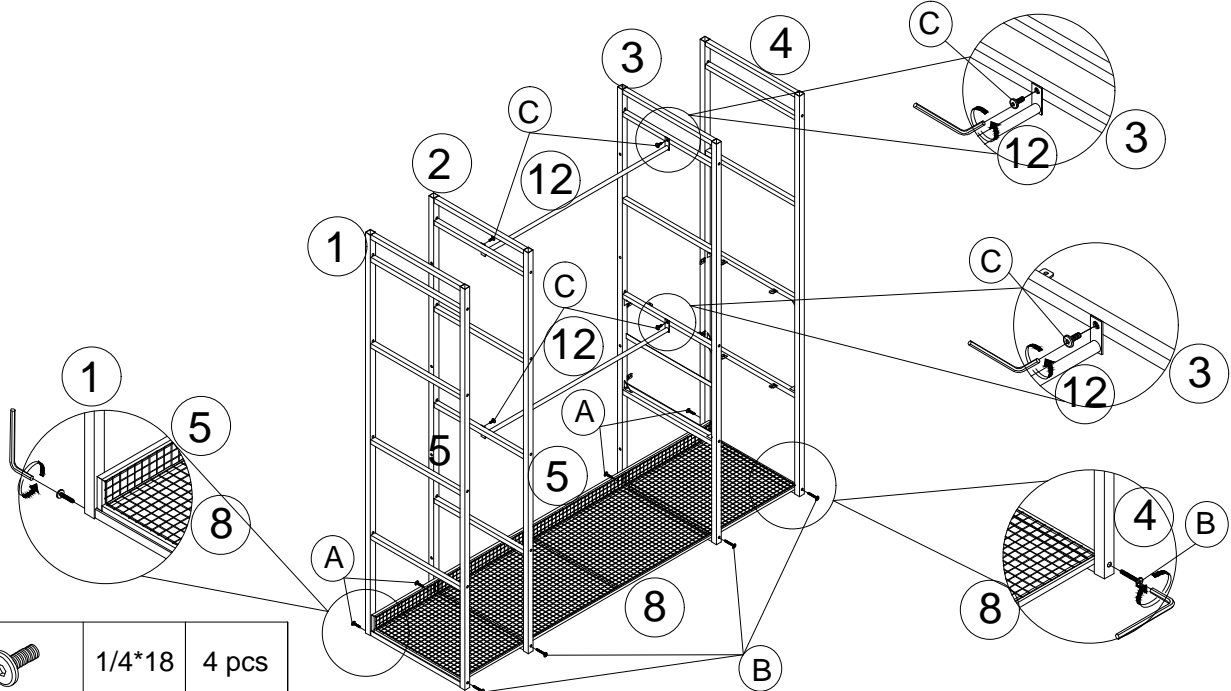
<p>A Bolts</p>  <p>1/4*50 15 pcs</p>	<p>B Bolts</p>  <p>1/4*40 23 pcs</p>	<p>C Bolts</p>  <p>1/4*18 4 pcs</p>	<p>D Bolts</p>  <p>#8*10 36 pcs</p>
<p>E Screws</p>  <p>JPMT 4.2X20 12 pcs</p>	<p>F Electric screwdriver</p>  <p>(Not included)</p>	<p>G Screws</p>  <p>4*59 1 pc</p>	




# PART LIST

<p>① Shelf Frame              1 pc</p>	<p>② Shelf Frame              1 pc</p>	<p>⑤ Shelf Frame              2 pc</p>	<p>⑦ Shelf Frame              2 pcs</p>
<p>⑧ Shelf Frame              2 pcs</p>	<p>⑨ Shelf Frame              1 pc</p>	<p>⑫ Shelf Frame              2 pcs</p>	<p>⑬ plank              2 pcs</p>
<p>⑭ plank              1 pc</p>	<p>⑮ plank              1 pc</p>	<p>⑯ plank              1 pc</p>	<p>⑳ plank              2 pcs</p>
<p>㉑ plank              2 pcs</p>	<p>㉒ plank              2 pcs</p>		

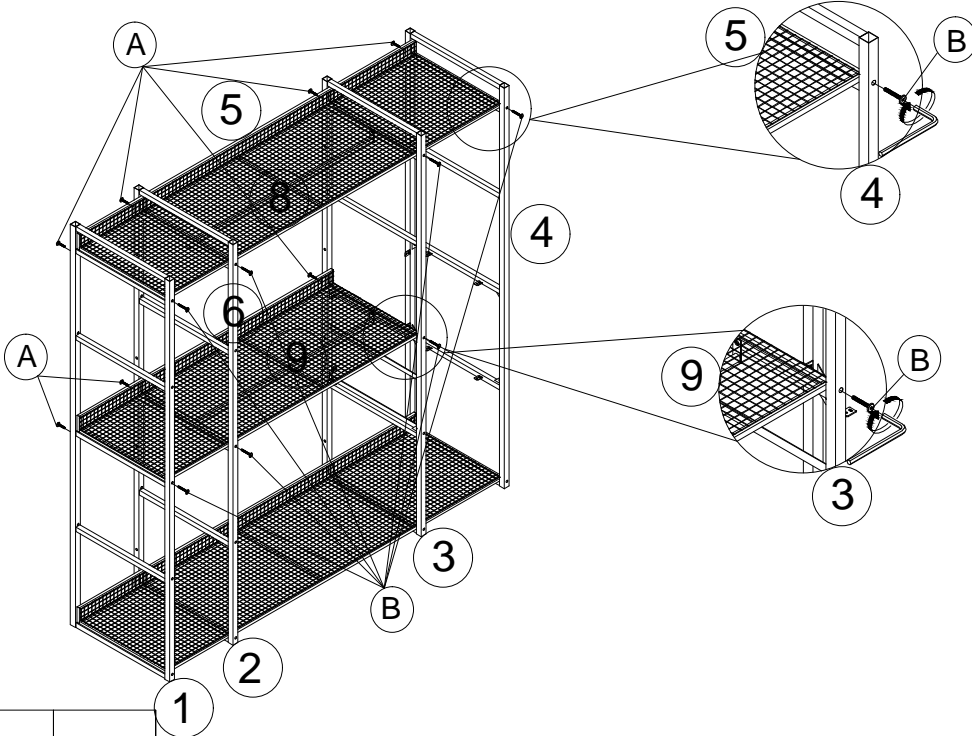
# Metal closet ASSEMBLY INSTRUCTIONS



## STEP 1



(C)		1/4*18	4 pcs
(B)		1/4*40	4 pcs
(A)		1/4*50	4 pcs

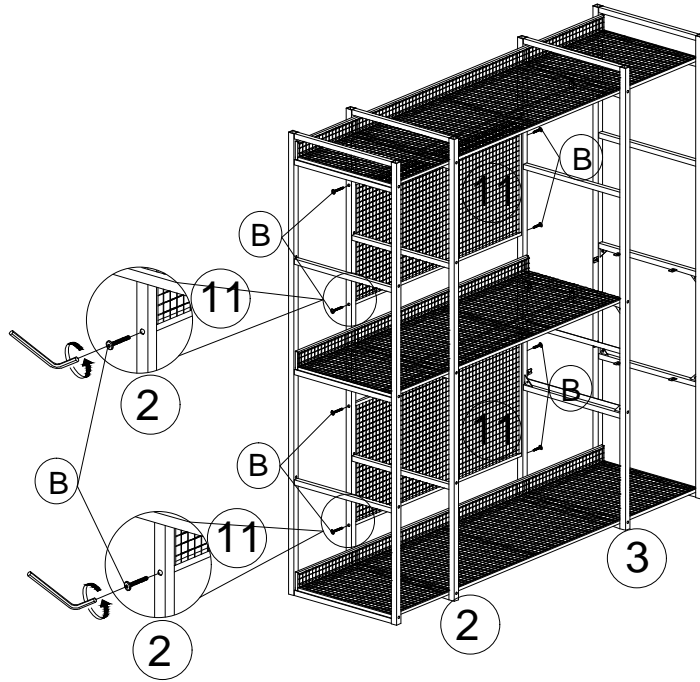
## STEP 2




(B)		1/4*40	7 pcs
(A)		1/4*50	7 pcs

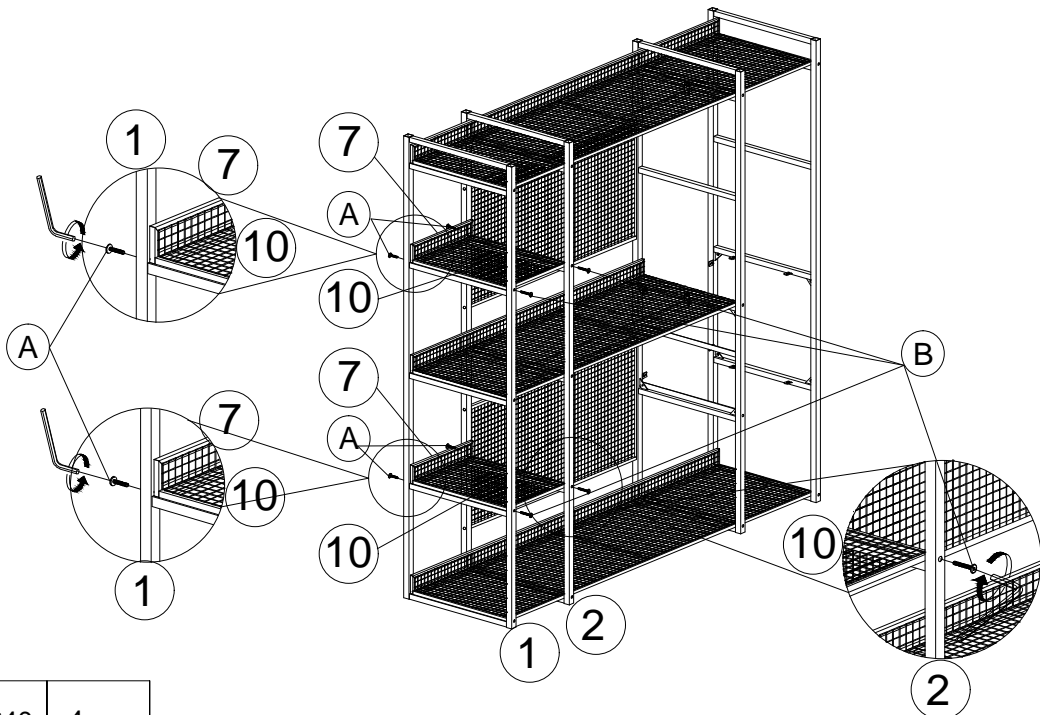
# Metal closet ASSEMBLY INSTRUCTIONS



## STEP 3



B		1/4*40	8 pcs
---	---	--------	-------

## STEP 4

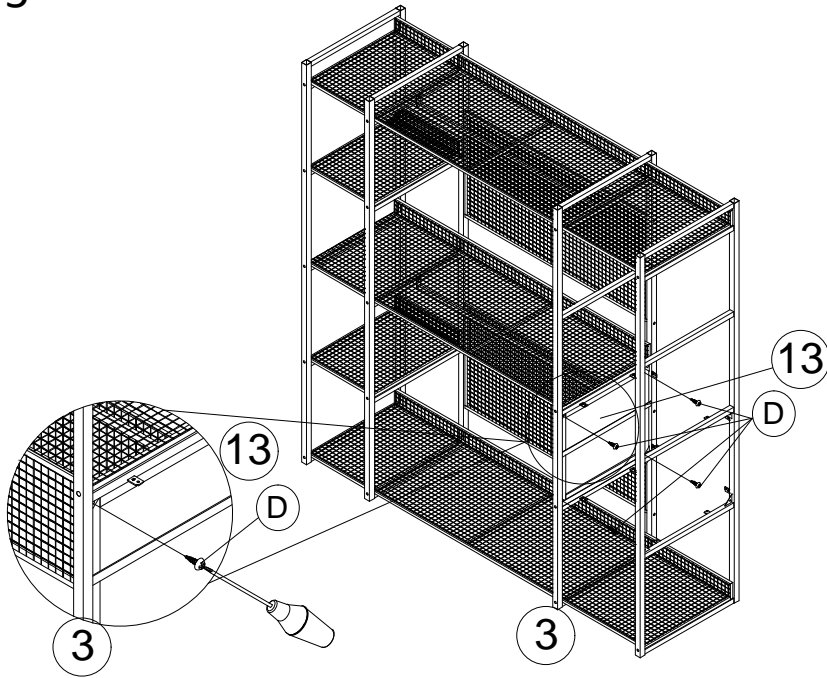


B		1/4*40	4 pcs
A		1/4*50	4 pcs

# Metal closet

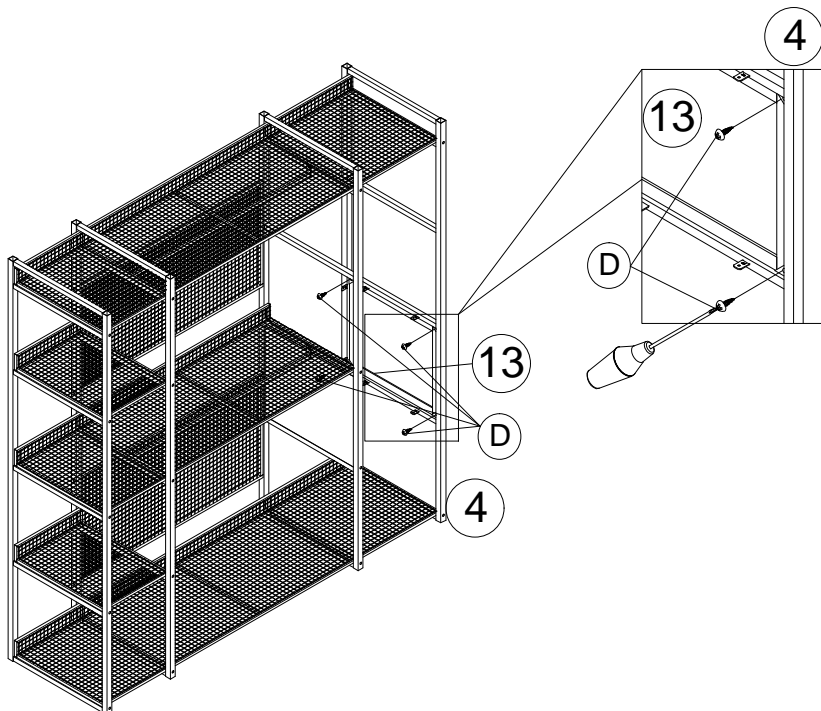
## ASSEMBLY INSTRUCTIONS


### STEP 5



(D)		#8*10	4 pcs
-----	---	-------	-------

### STEP 6

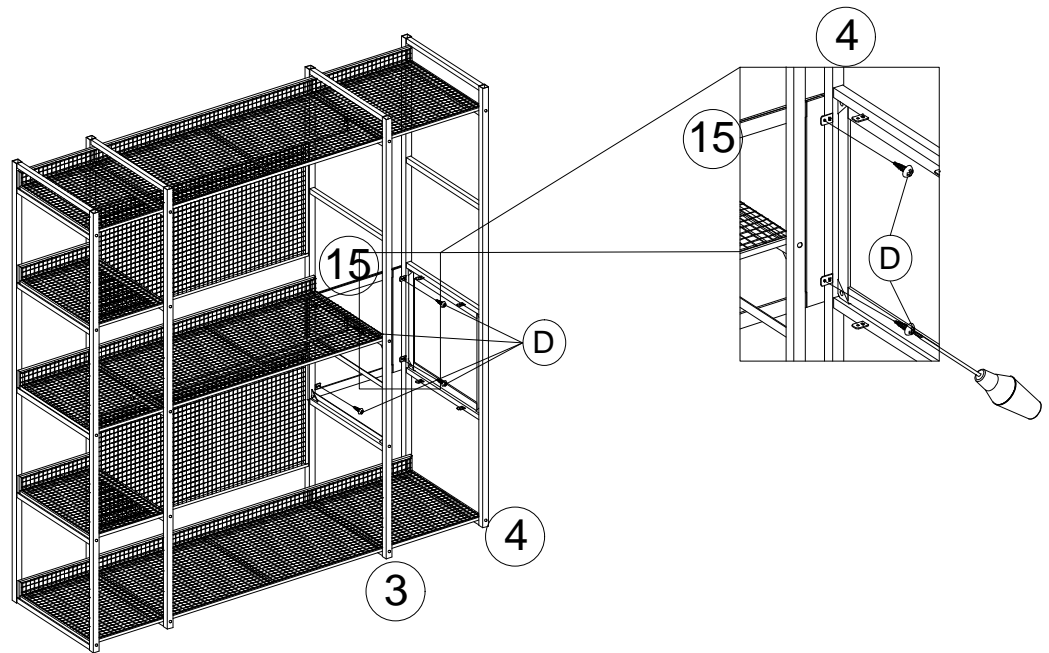


(D)		#8*10	4 pcs
-----	---	-------	-------

# Metal closet

## ASSEMBLY INSTRUCTIONS

### STEP 7



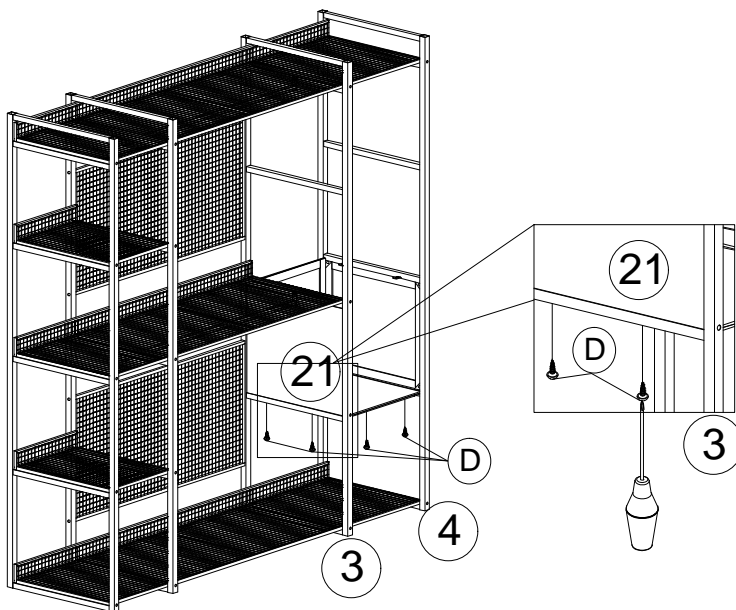
D



#8\*10

4 pcs

### STEP 8



D

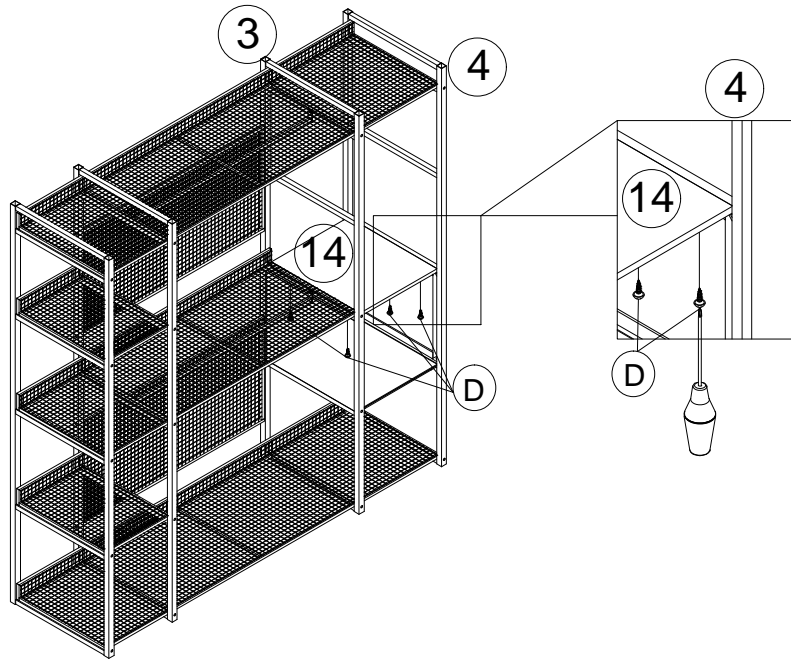


#8\*10

4 pcs

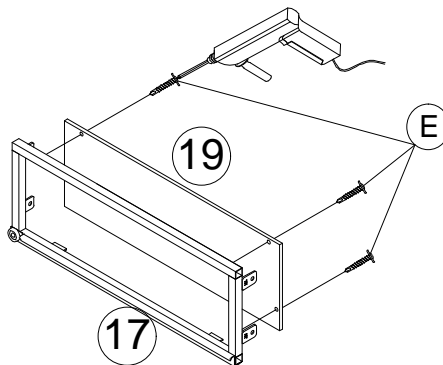
# Metal closet ASSEMBLY INSTRUCTIONS


## STEP 9



D		#8*10	4 pcs
---	---	-------	-------

## STEP 10 X2



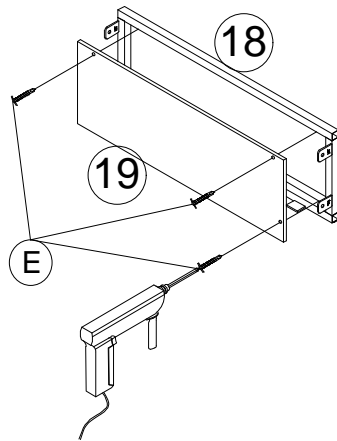
E		JPMT 4.2X20	3 pcs x2
---	---	-------------	----------


# Metal closet

## ASSEMBLY INSTRUCTIONS

### STEP 11

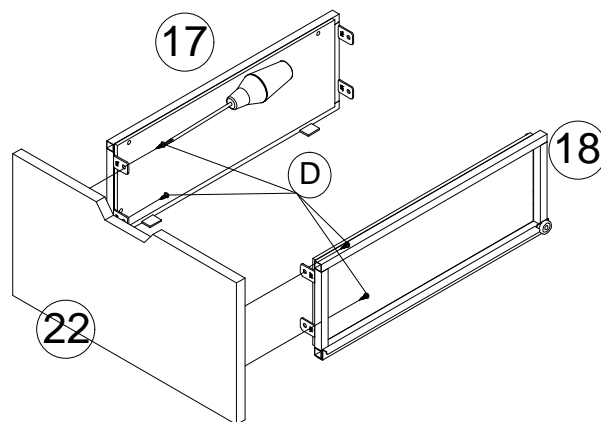
X2




(E)		JPMT 4.2X20	3 pcs x2
-----	---	-------------	----------

### STEP 12

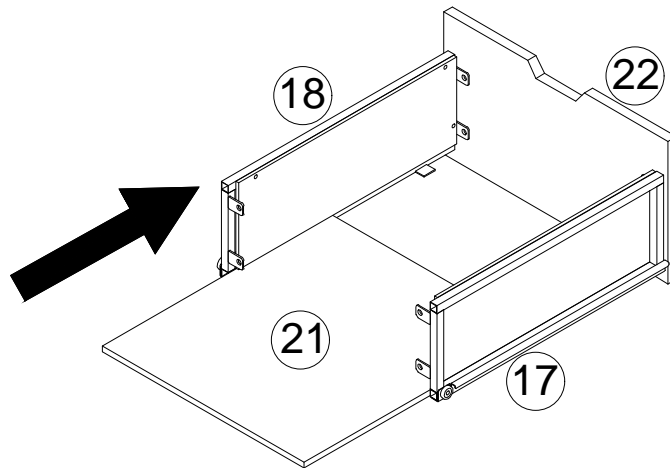
X2



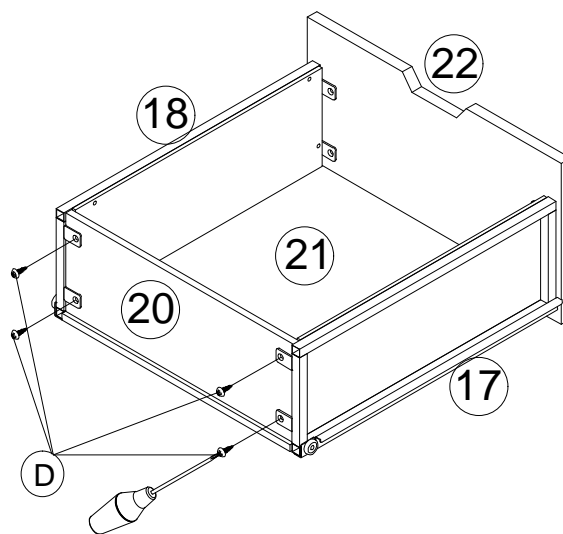
(D)		#8*10	4 pcs x2
-----	---	-------	----------


# Metal closet ASSEMBLY INSTRUCTIONS

STEP 13  
X2



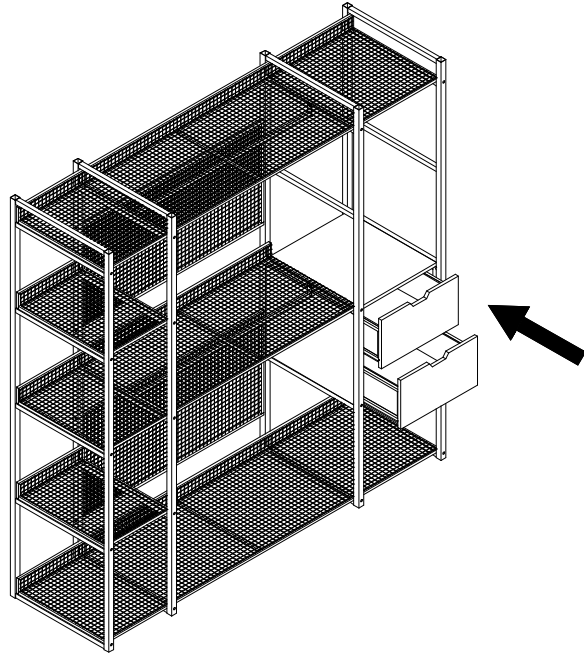
STEP 14  
X2



(D)		#8*10	4 pcs x2
-----	---	-------	----------

# Metal closet ASSEMBLY INSTRUCTIONS

STEP 15



COMPLETE

